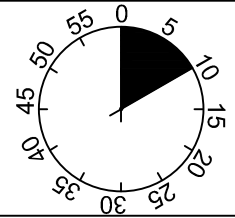
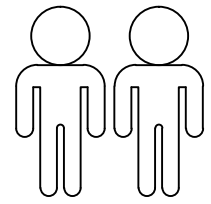
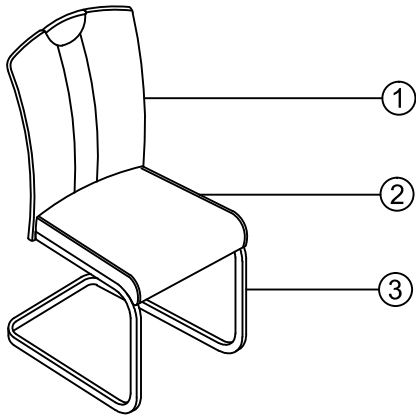


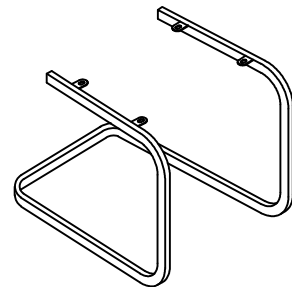
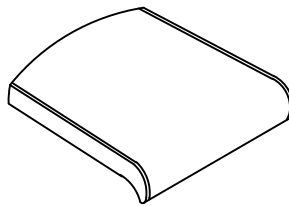
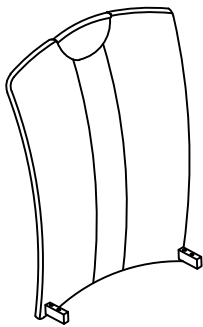
Amber 2



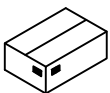
1

2





3



| | |
|---|----|
| 1 | 1x |
| 2 | 1x |
| 3 | 1x |

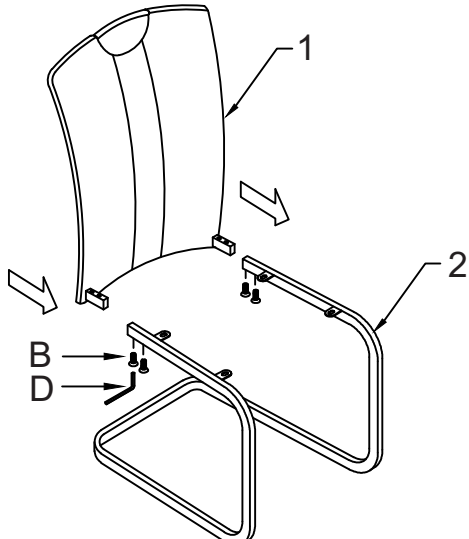


1/1

| | | | | | | | | | |
|---|-------|---|-------|---|------------|---|-----|--|--|
| A | M6X20 | B | M6X12 | C | Ø18xØ6x1.5 | D | 4MM | | |
|  | |  | |  | |  | | | |
| 4x | | 4x | | 4x | | 1x | | | |

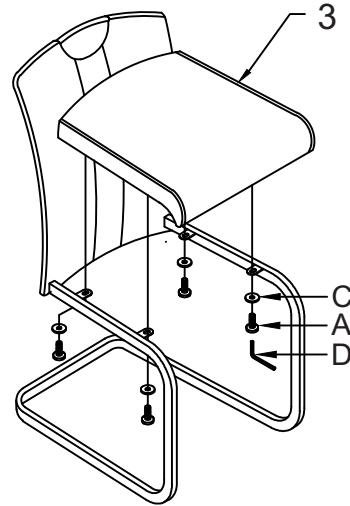
I.

1



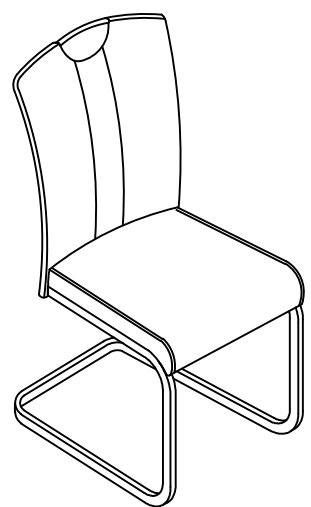
| | |
|---|-------|
| B | M6x12 |
| | 4x |
| D | 4MM |
| | 1x |
| | |

2



| | |
|---|------------|
| A | M6X20 |
| | 4x |
| C | Ø18xØ6x1.5 |
| | 4x |
| D | 4MM |
| | 1x |
| | |

3



| | |
|---|-----|
| D | 4MM |
| | 1x |
| | |



LE TRI + FACILE **BAC DE TRI**

Séparez les éléments avant de trier