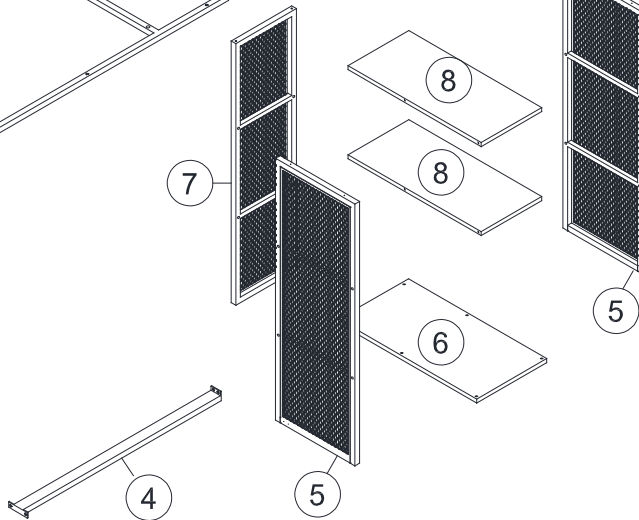
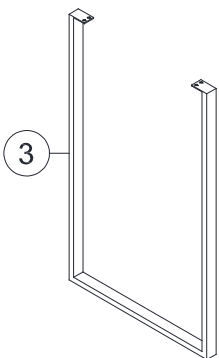
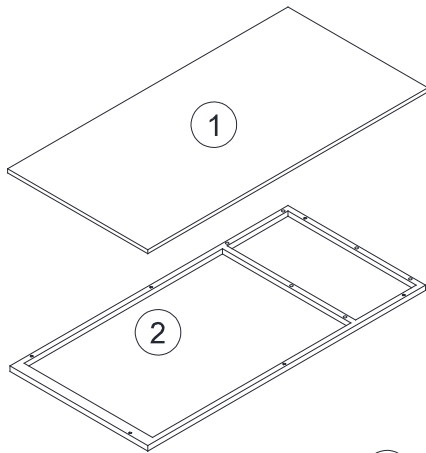
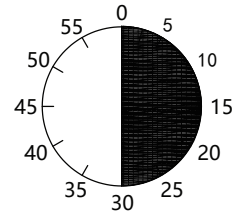
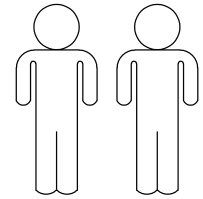
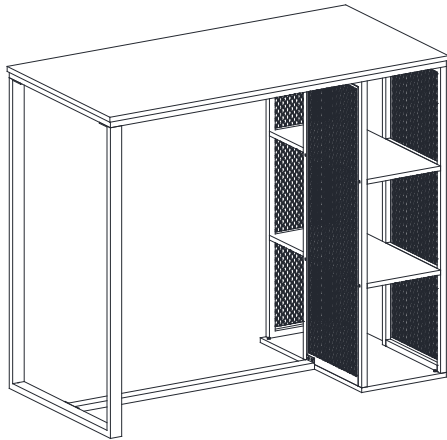
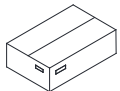


KLARA BT



1	1x	1200x600x15mm
2	1x	1190x590x20mm
3	1x	985x590x40mm
4	1x	850x80x38mm
5	2x	970x340x20mm
6	1x	592x300x15mm
7	1x	970x260x20mm
8	2x	570x260x15mm



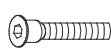
1/1

A M6x12mm



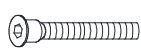
10x

B M6x30mm



14x

C M6x40mm



4x

D Ø22xM6x12mm



6x

E 4mm



1x

F 7x50mm



12x

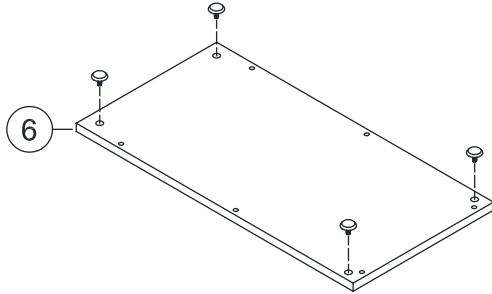
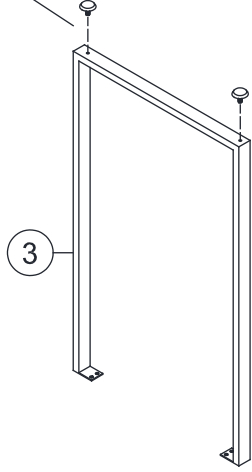
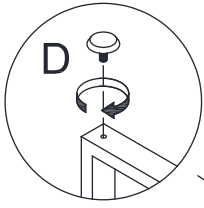
1.

D

Ø22xM6x12mm



6x



2.

F

7x50mm



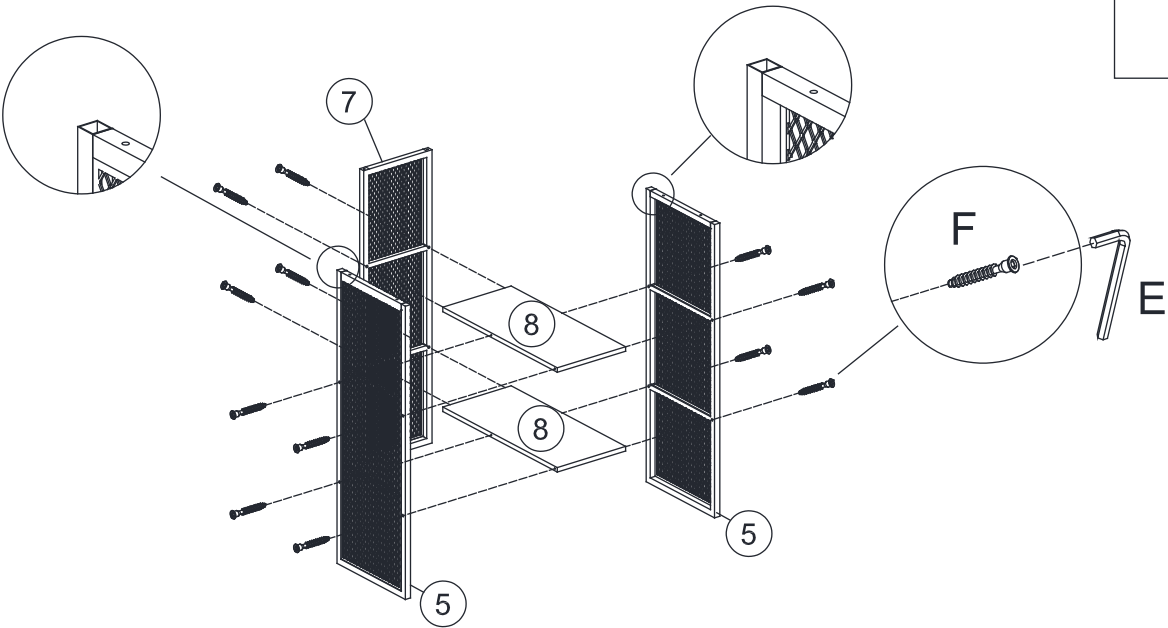
12x

E

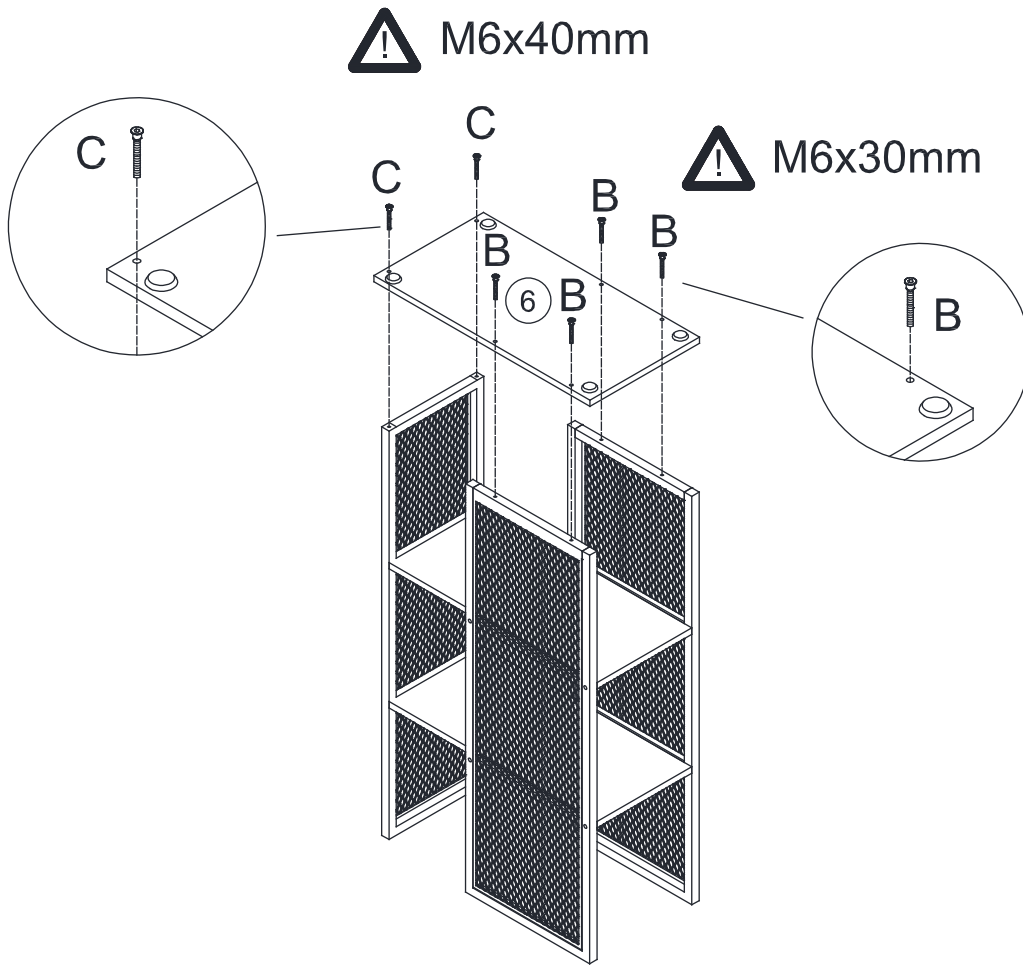






4mm

1x

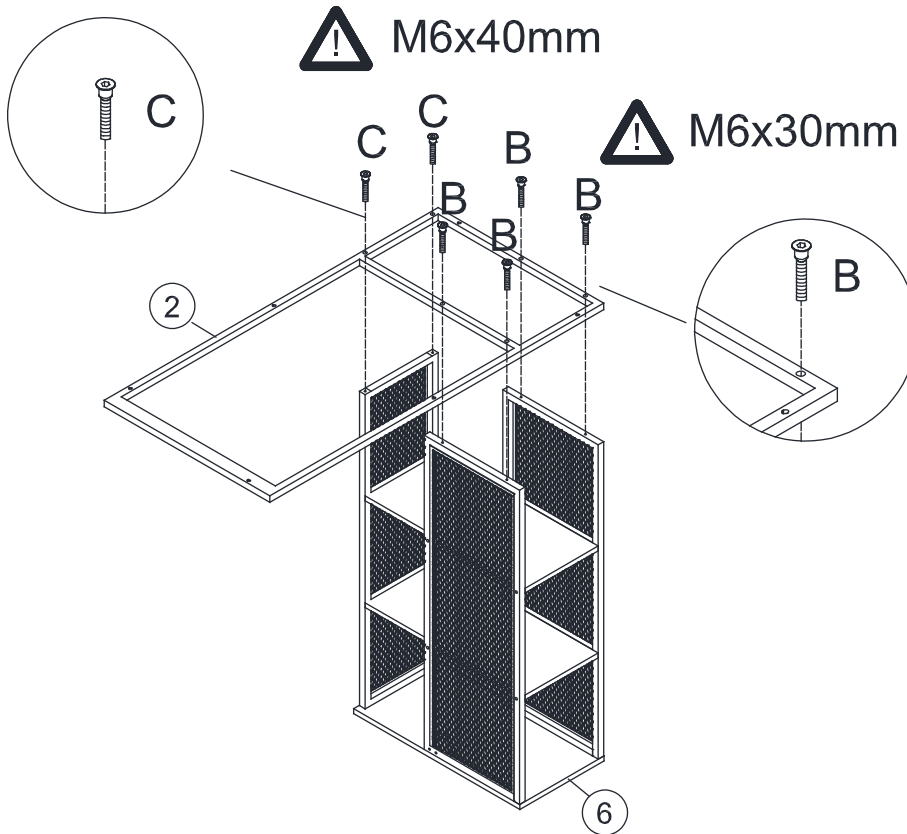






3.






B	M6x30mm		4x
C	M6x40mm		2x
E	4mm		1x
			

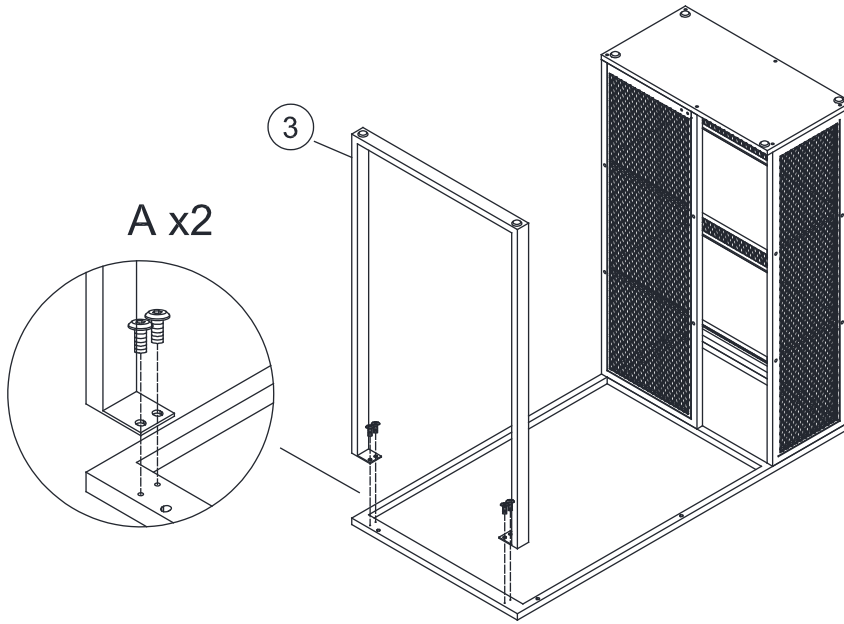
4.






B	M6x30mm		4x
C	M6x40mm		2x
E	4mm		1x
			

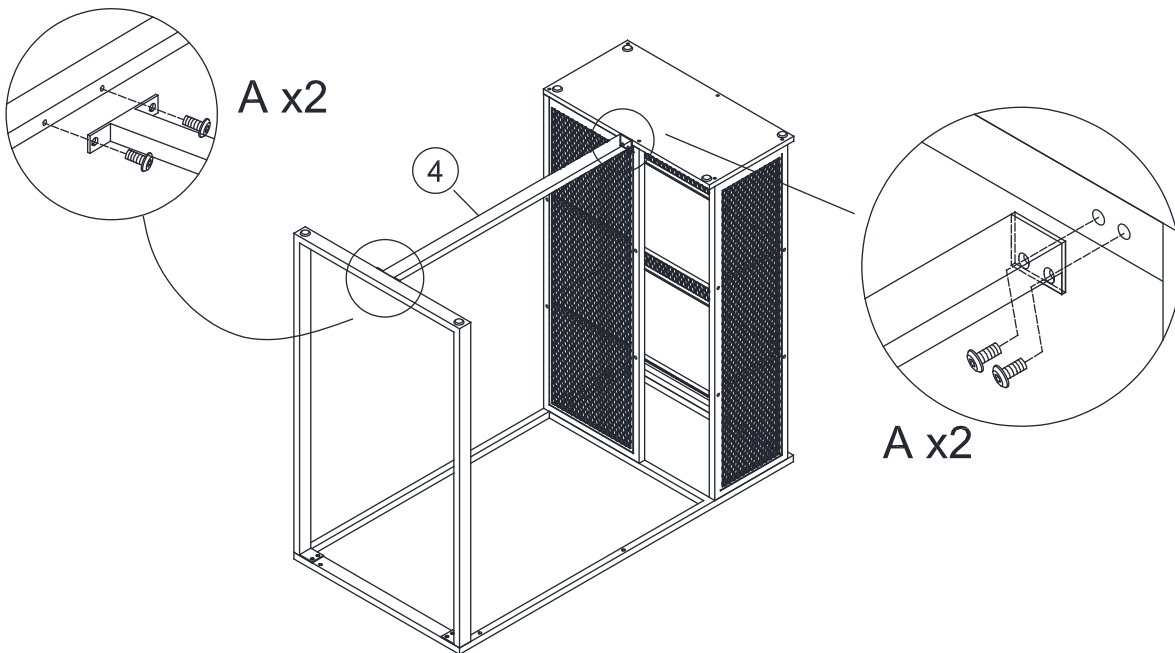
5.

A	M6x12mm		4x
E	4mm		1x
			

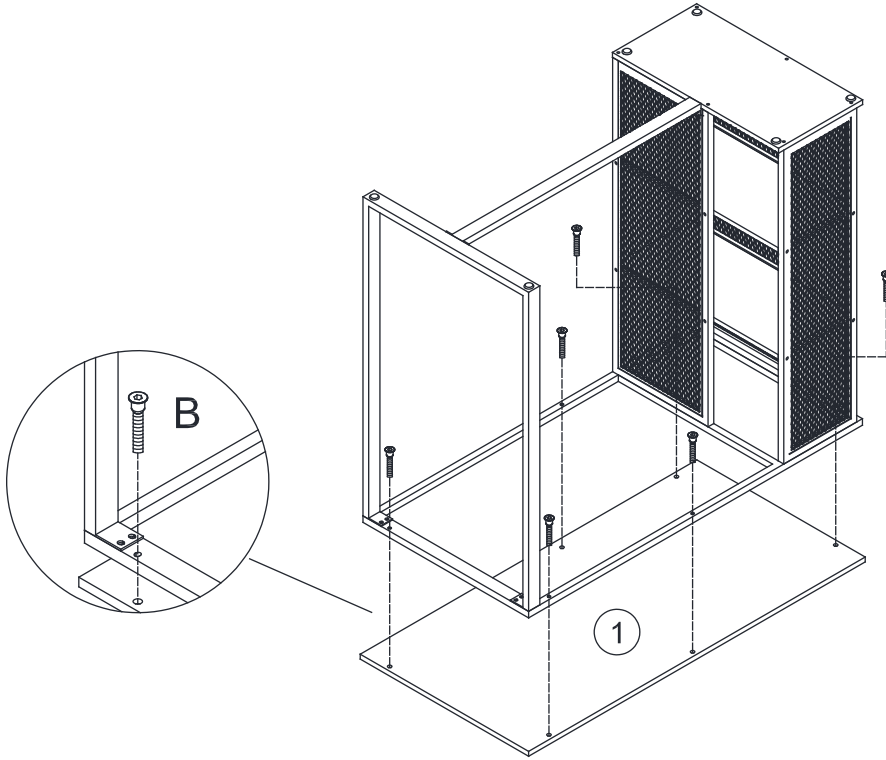





6.

A	M6x12mm		4x
E	4mm		1x
			

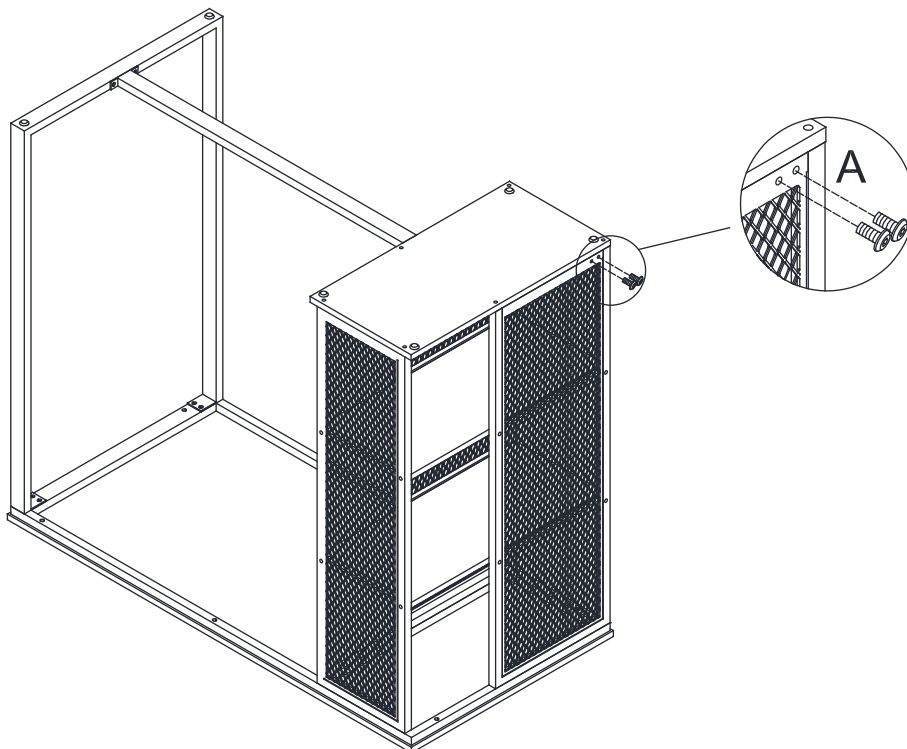





7.



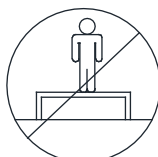
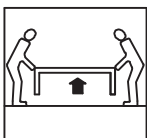
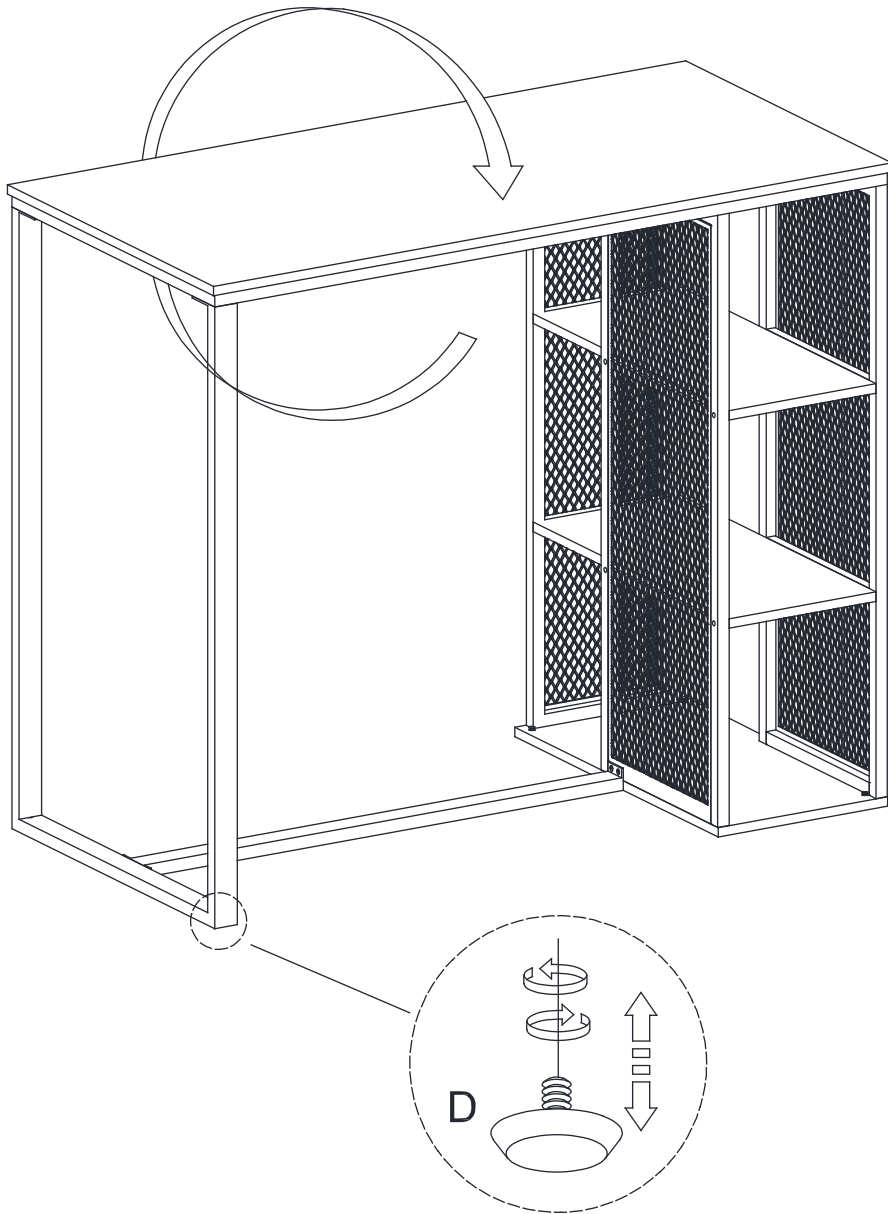
B	M6x30mm
	6x
E	4mm
	1x
	

8.



A	M6x12mm
	2x
E	4mm
	1x
	

9.



Séparez les éléments avant de trier