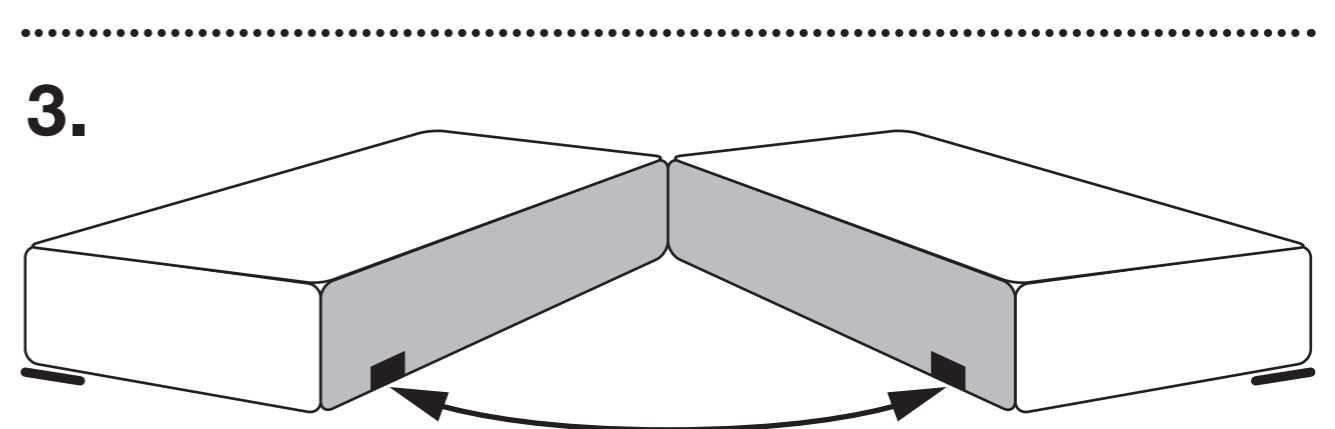
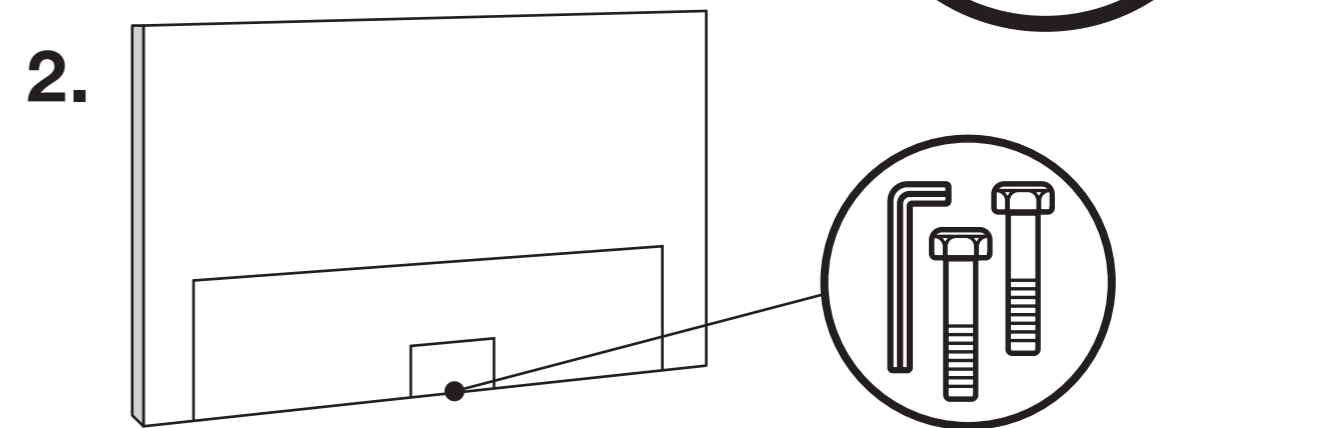
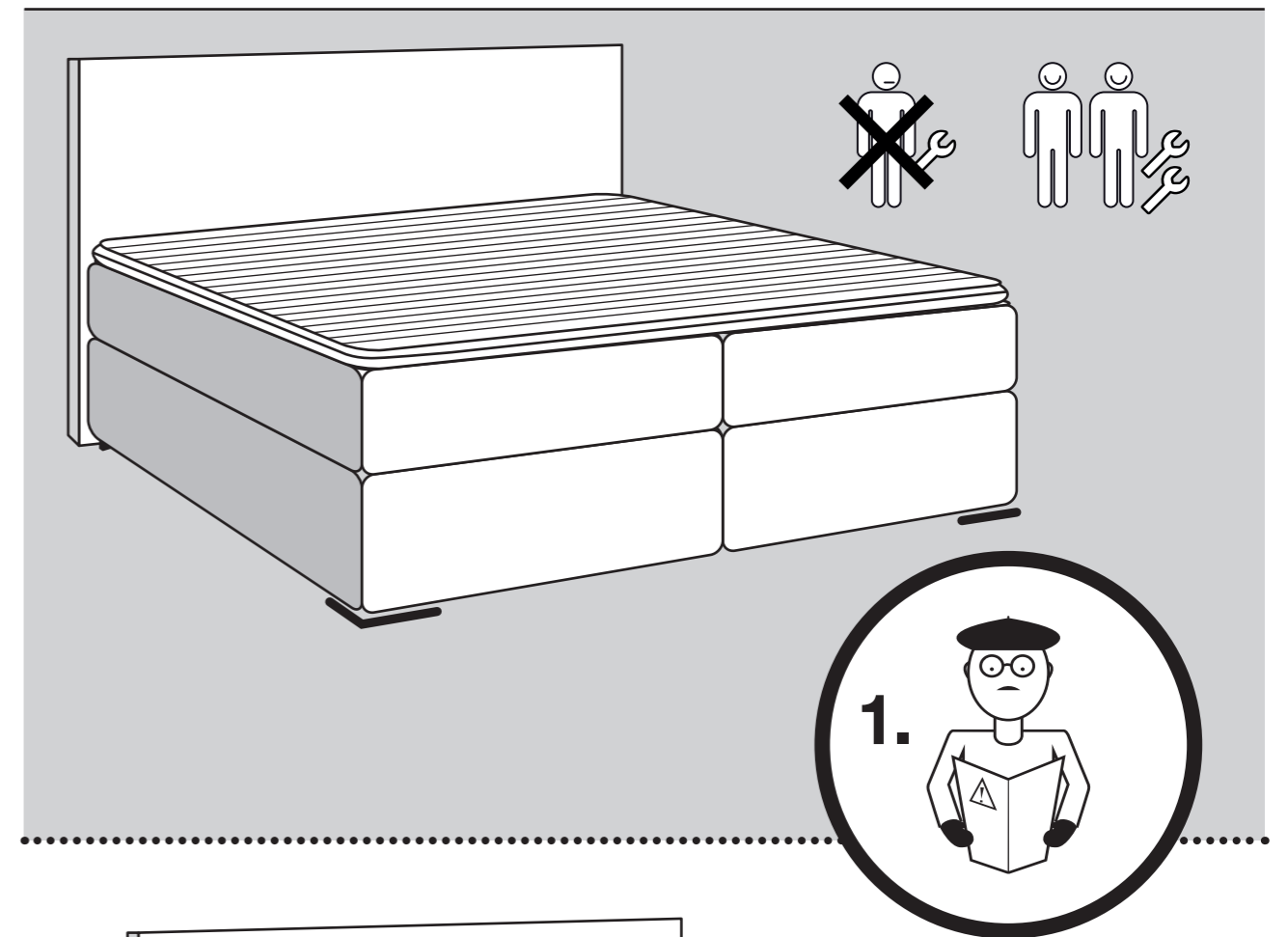
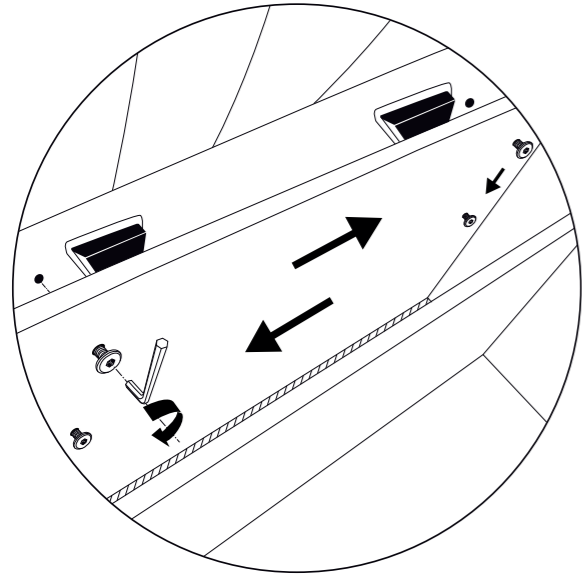
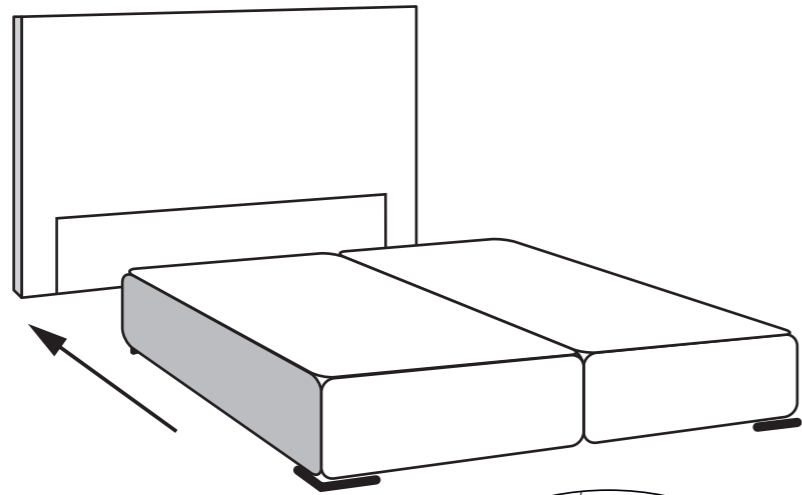


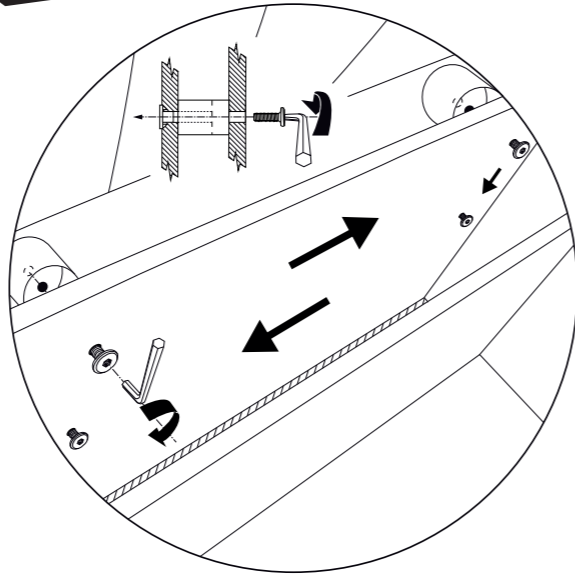
NAV 160



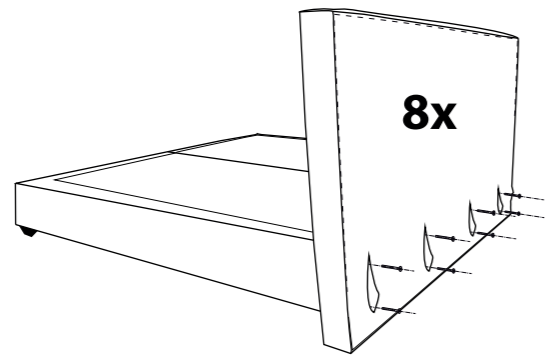
4.



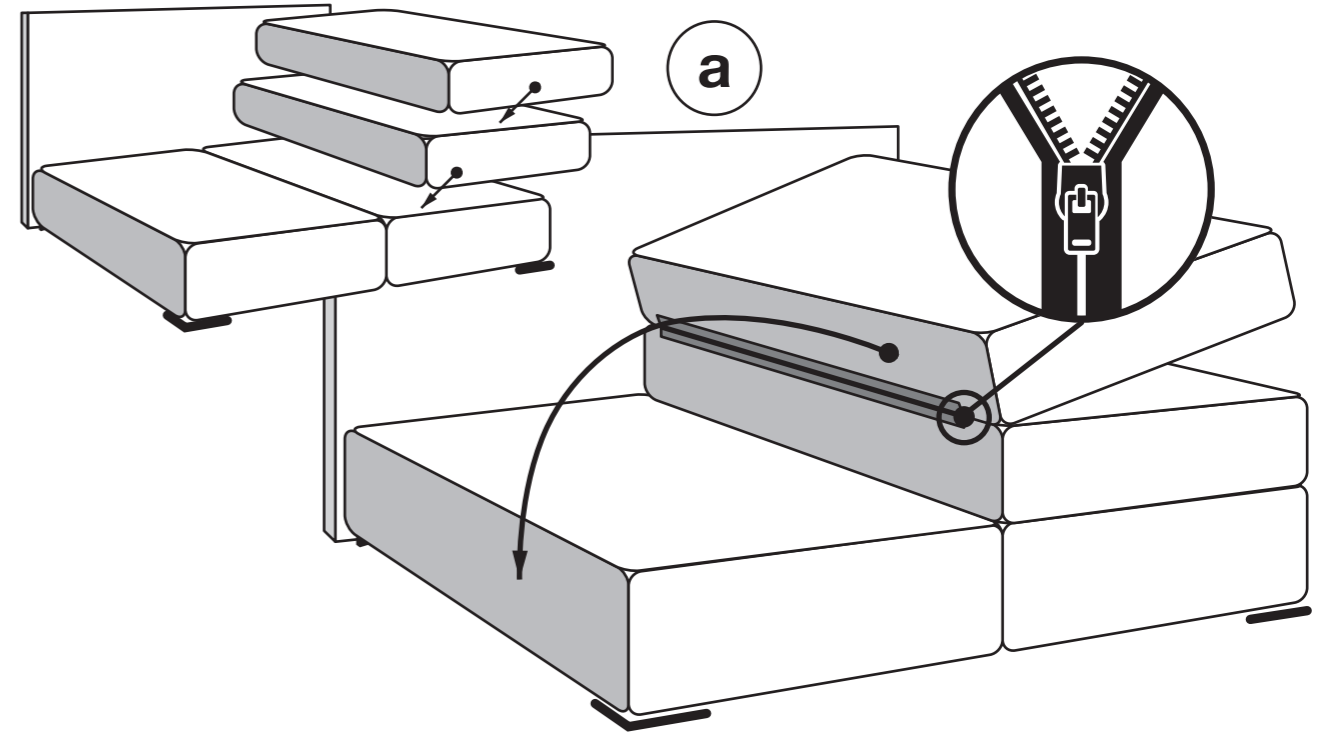
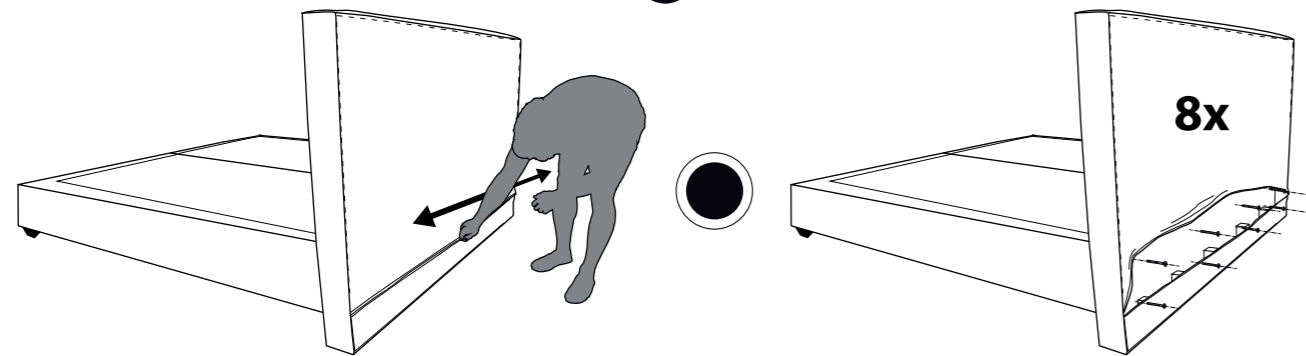
or



5.



or



6. (a/b)

b

