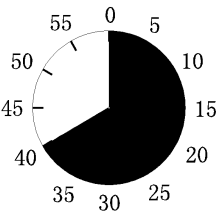
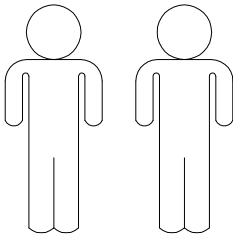
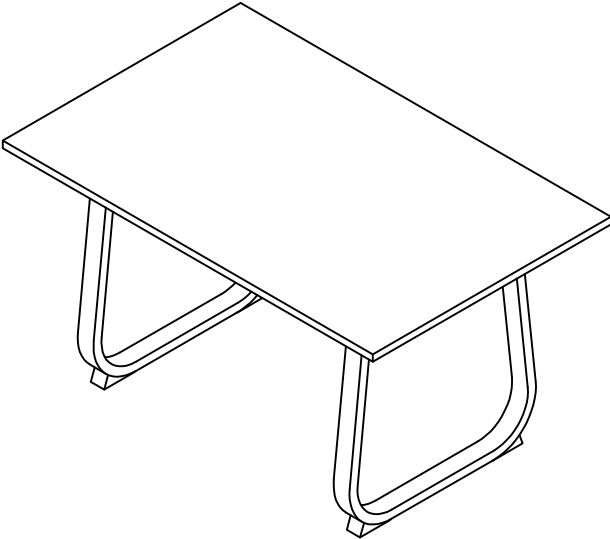


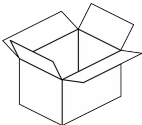
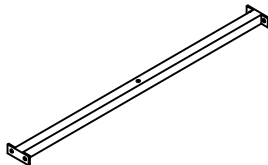
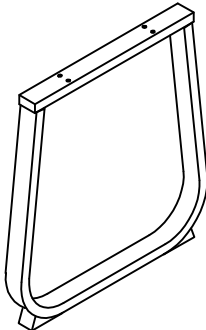
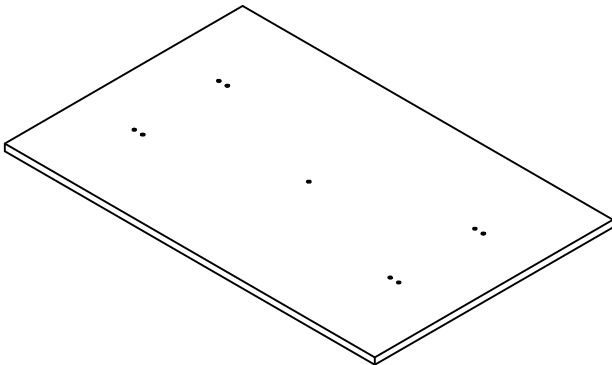
Luise




1

2

3



2/2

		
1	1x	1/2
2	2x	2/2
3	1x	2/2

A M6*12



9X

B M6*40



9X

C M6*12



4X

D Ø18*Ø6*1.5



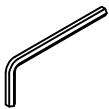
9X

E 4mm



1X

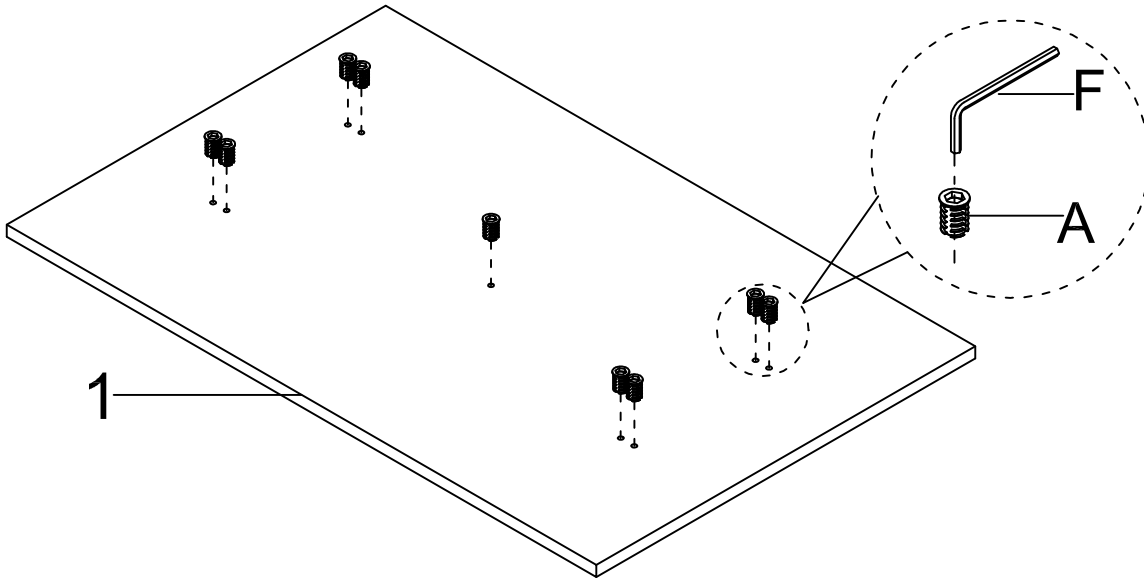
F 6mm



1X

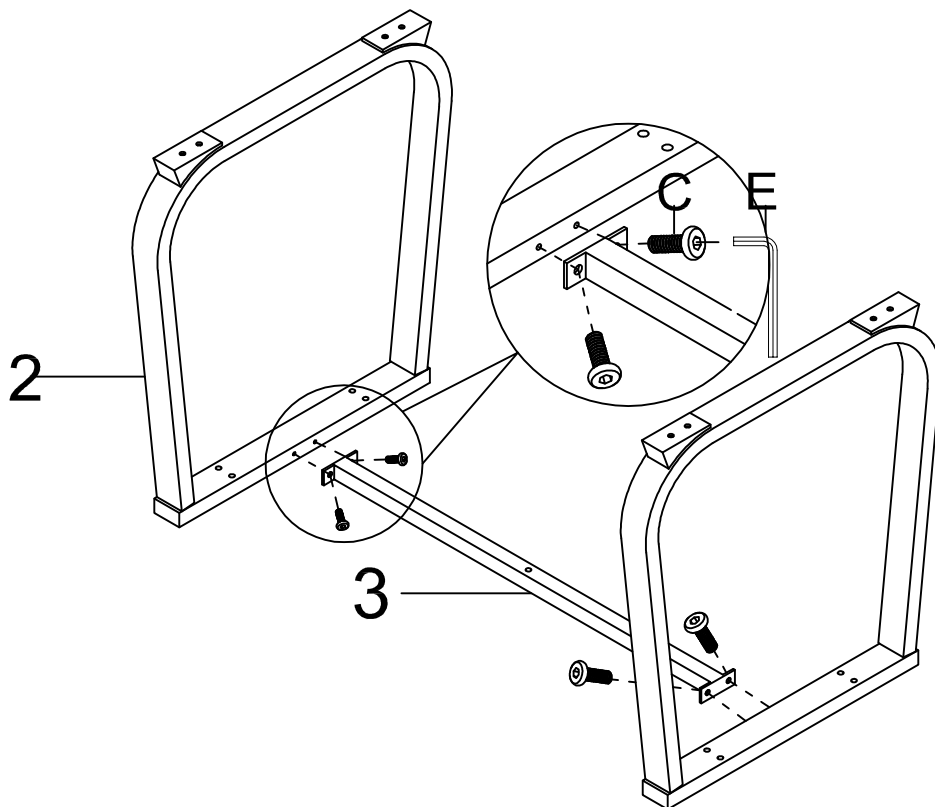
I.

1.



A	M6*12 9X
F	6mm 1X

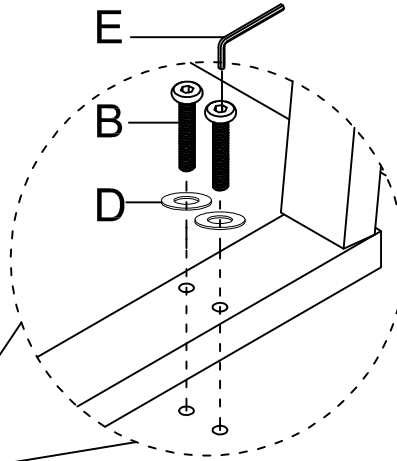
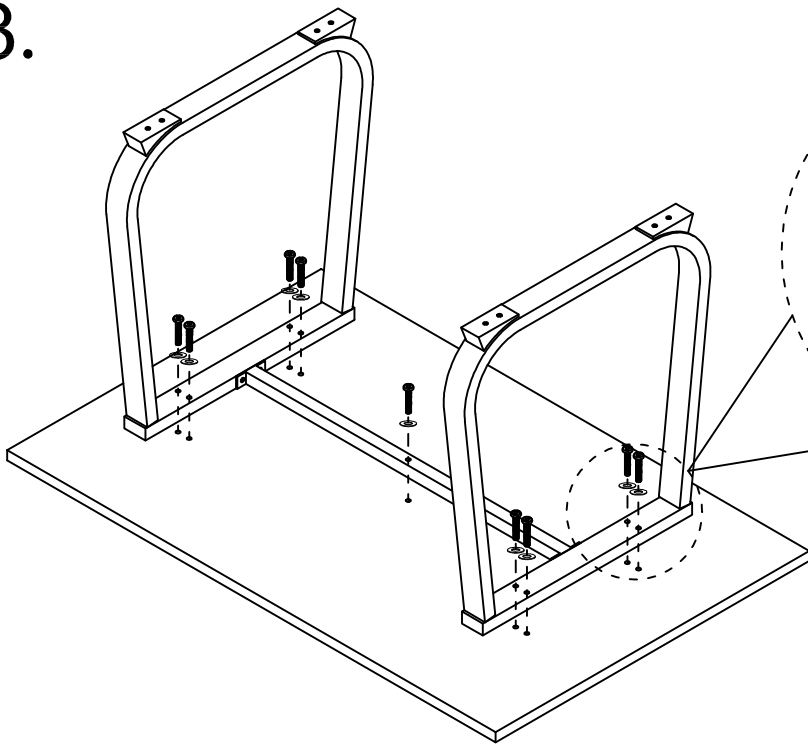
2.







C	M6*12 4X
E	4mm 1X

11.

3.



- B**  M6*40
9X
- D**  Ø18*Ø6*1.5
9X
- E**  4mm
1X
-  100%

4.

