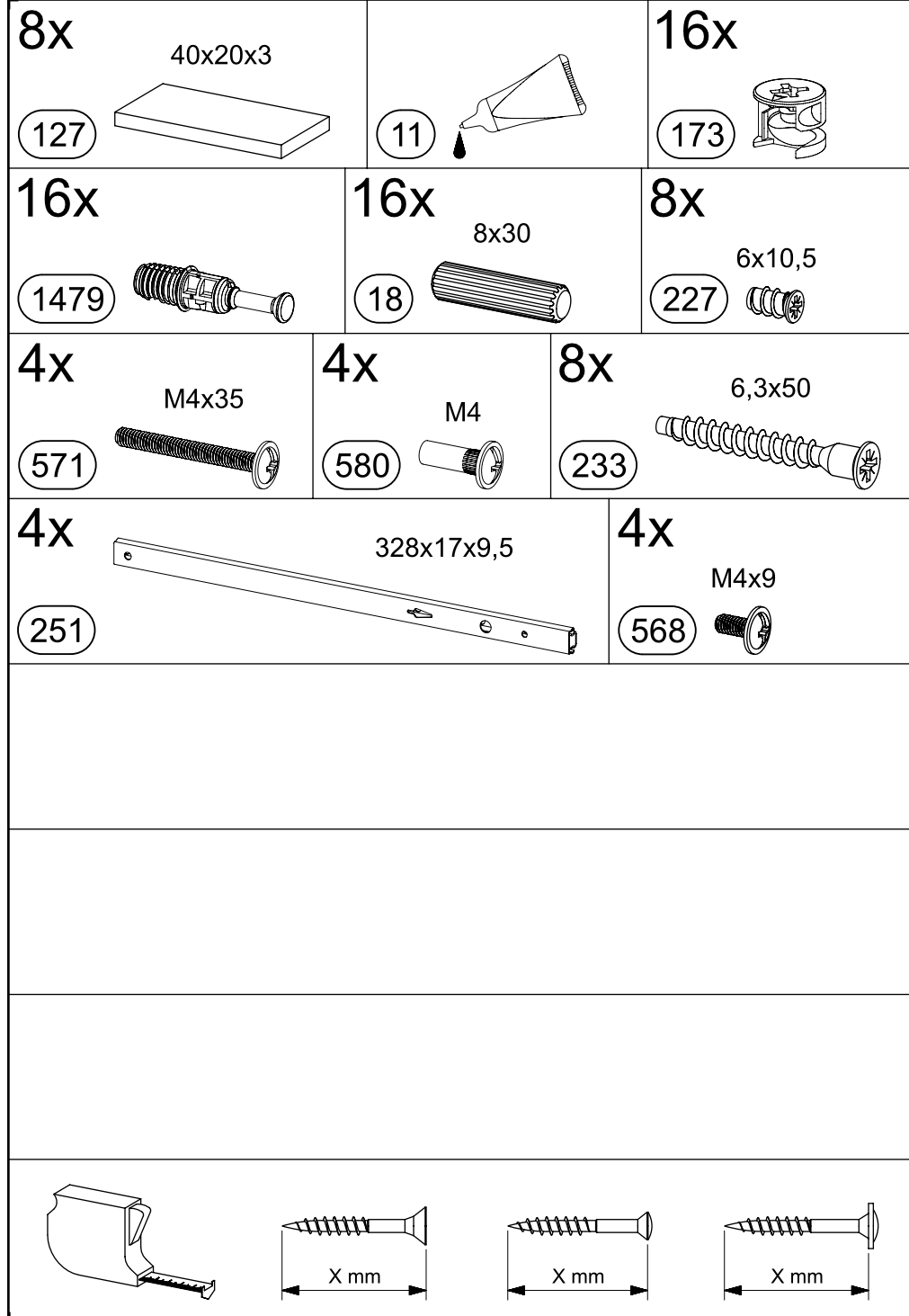
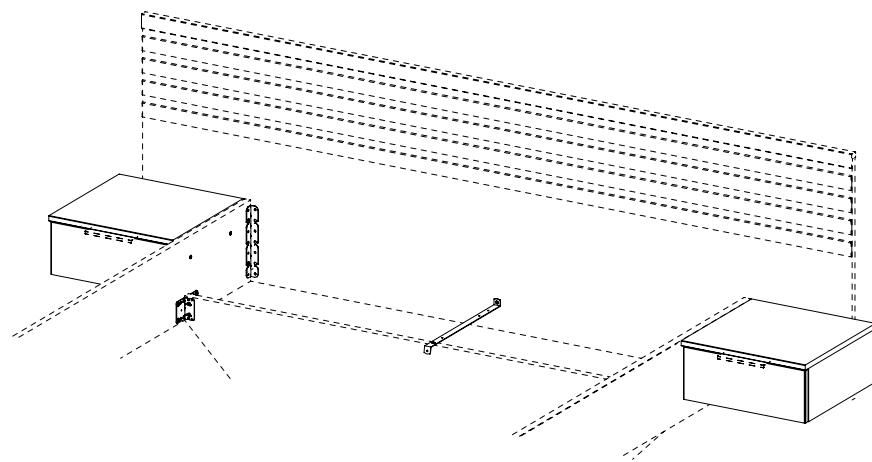
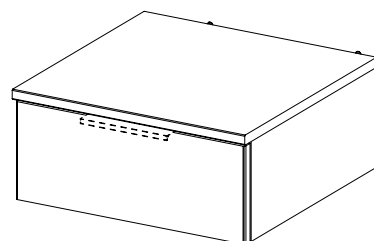
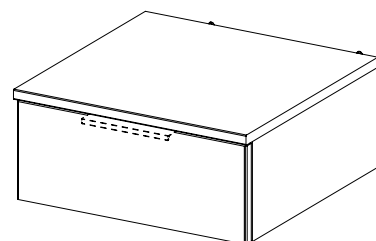
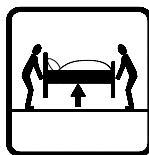
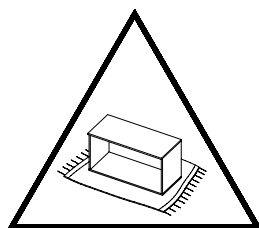
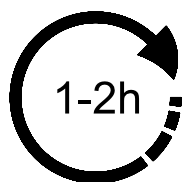
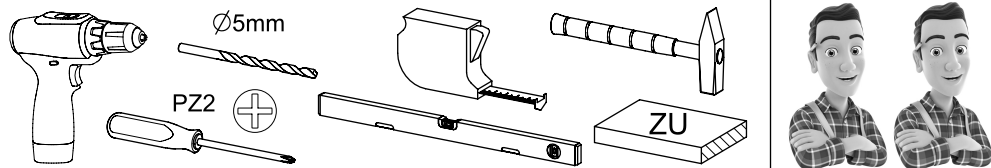
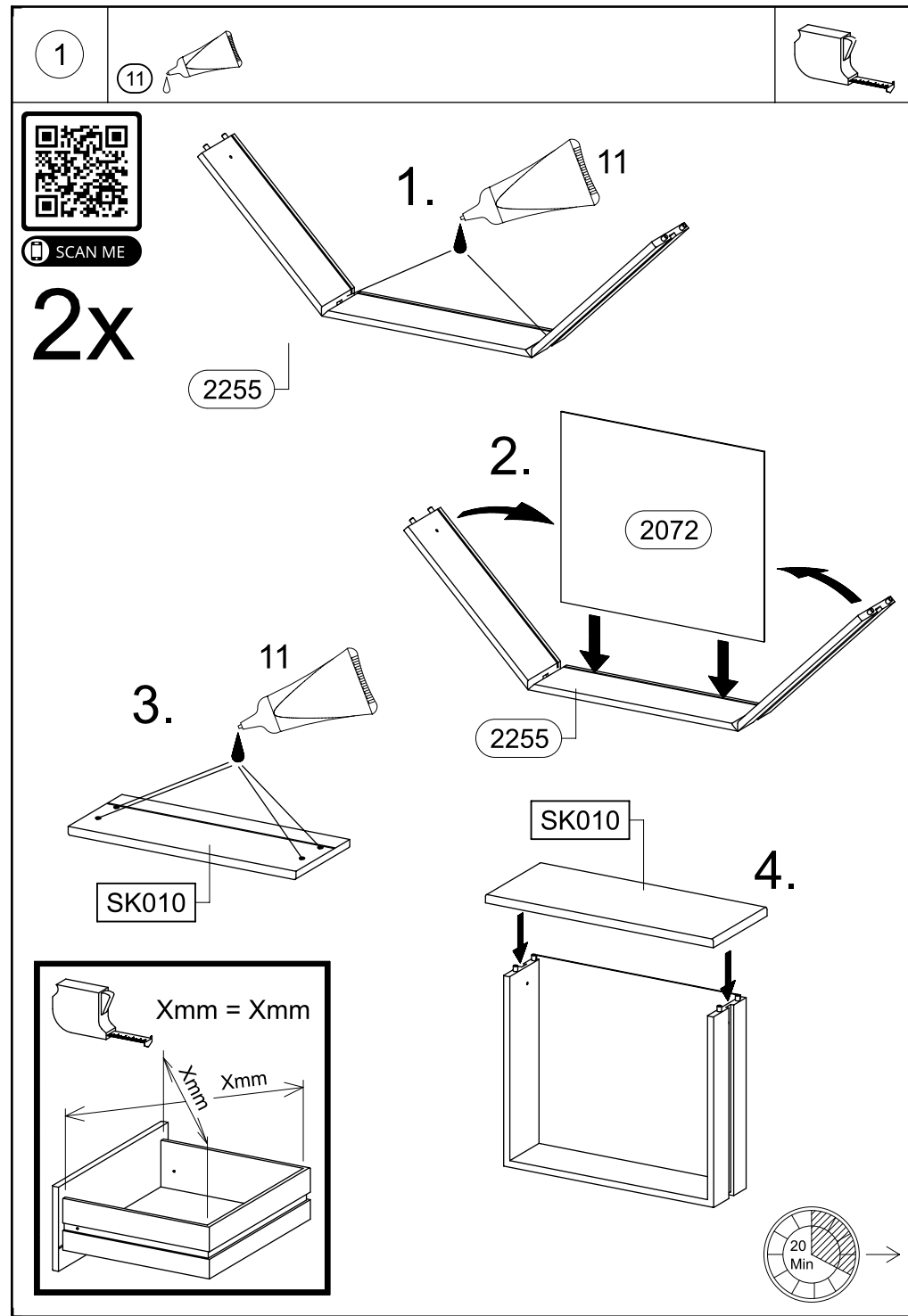
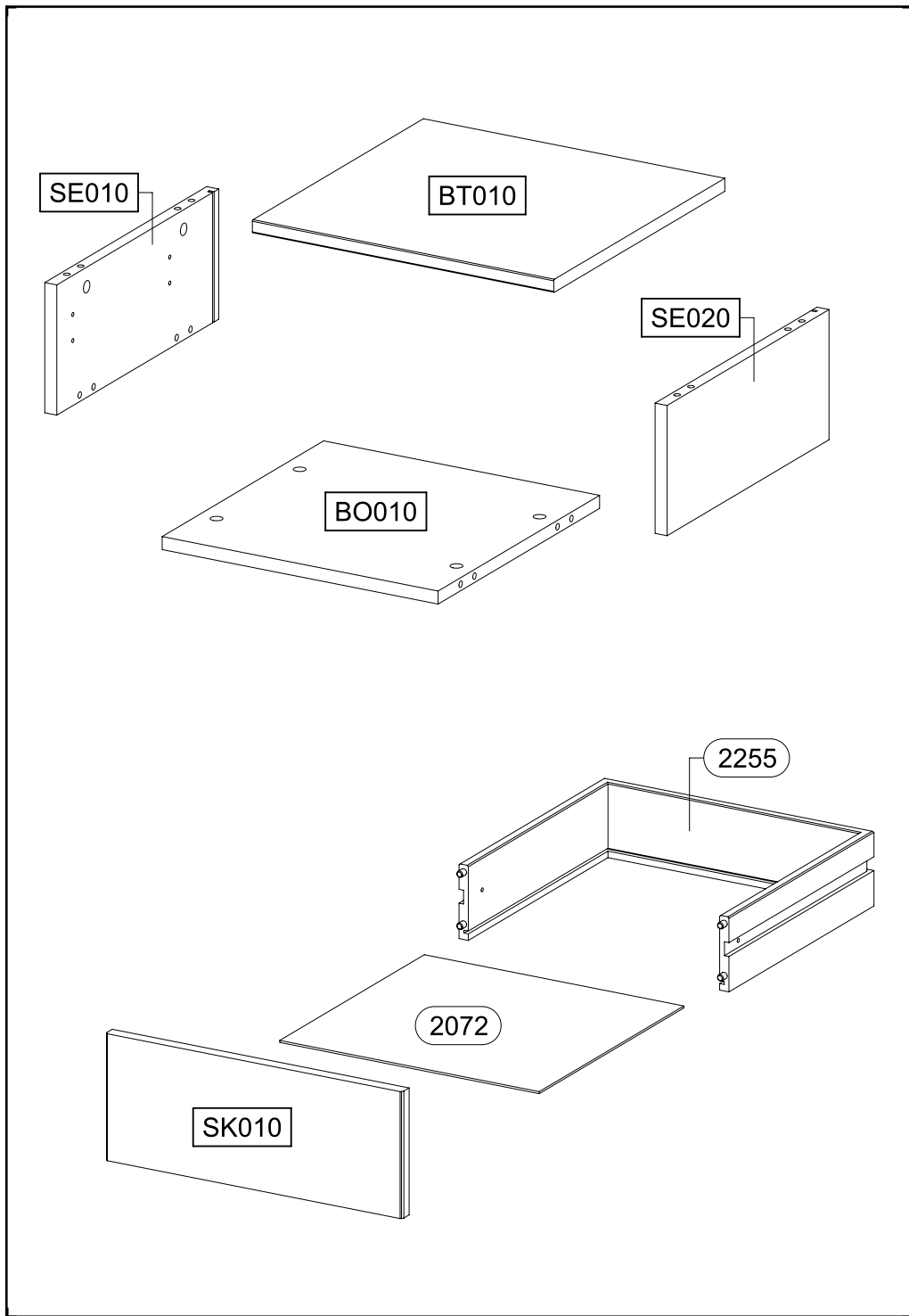
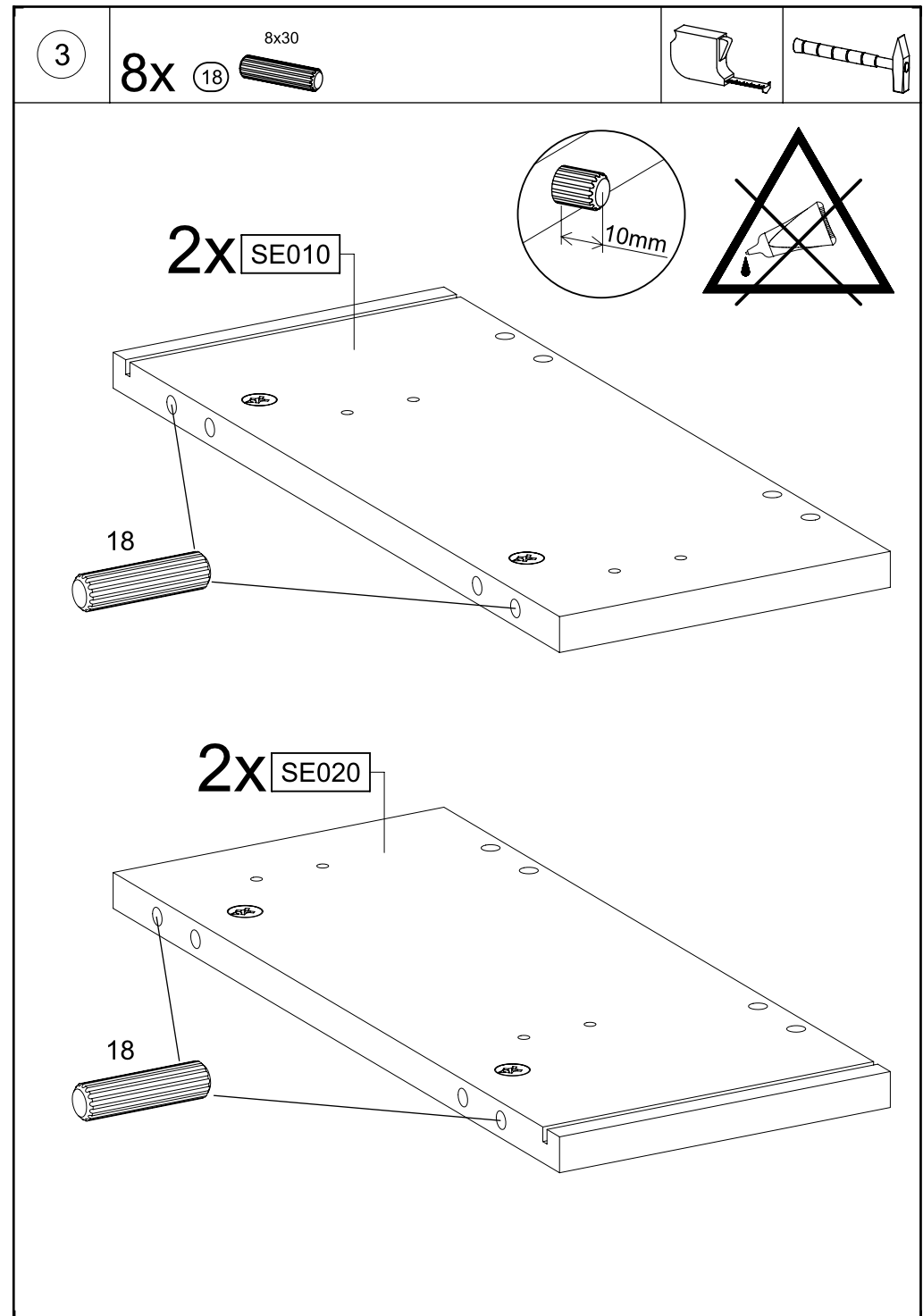
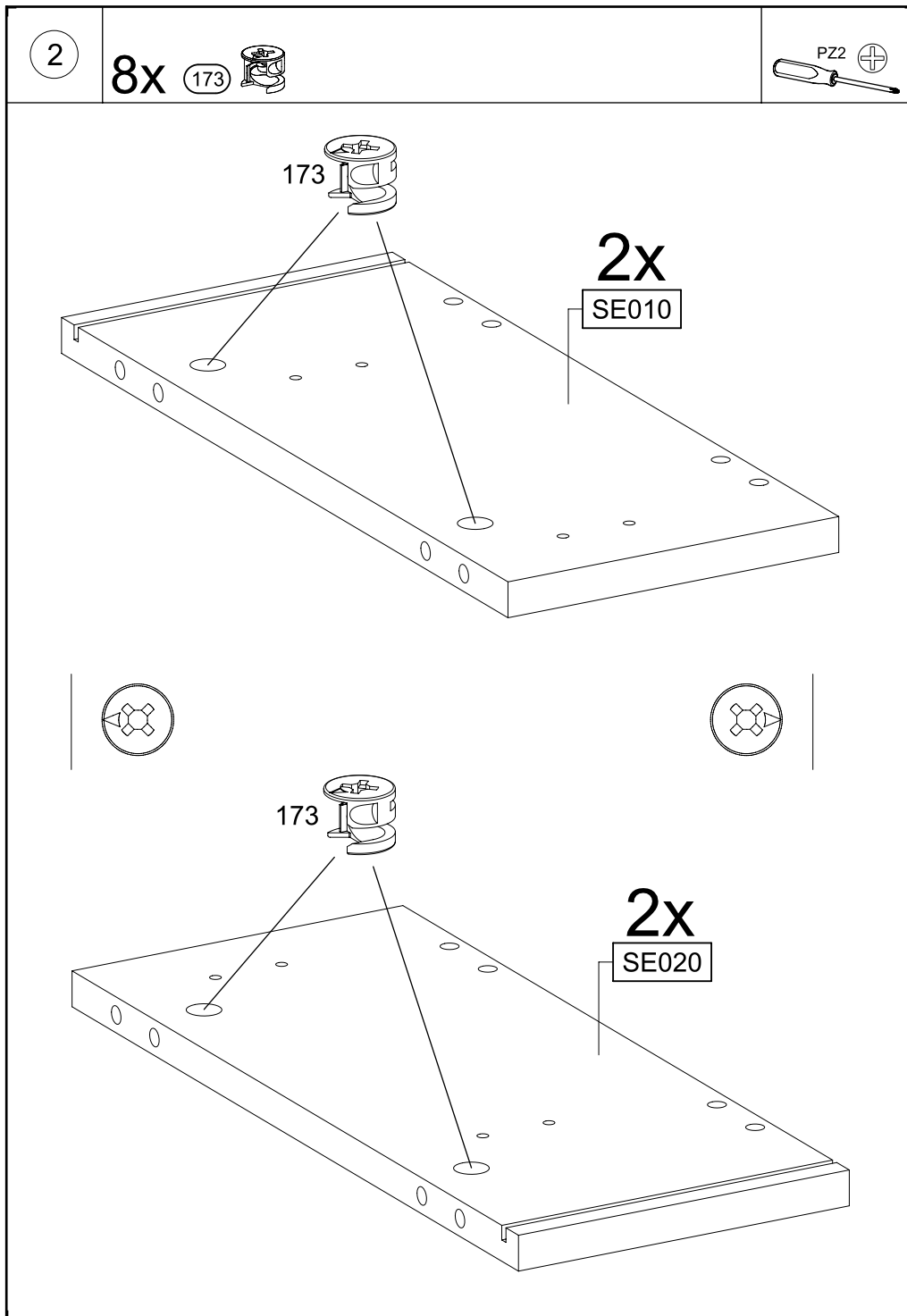


## M3144\_01

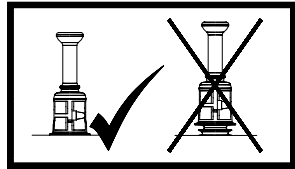
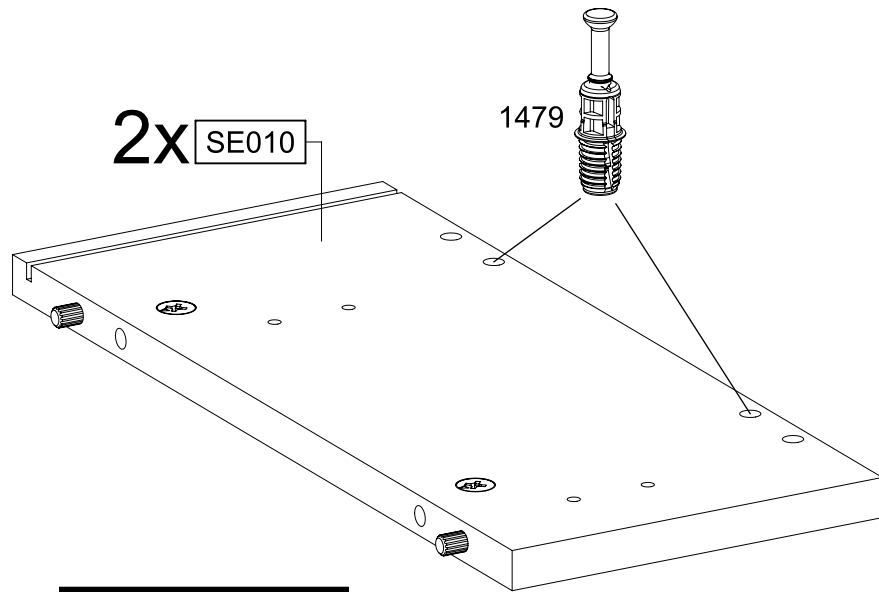






4

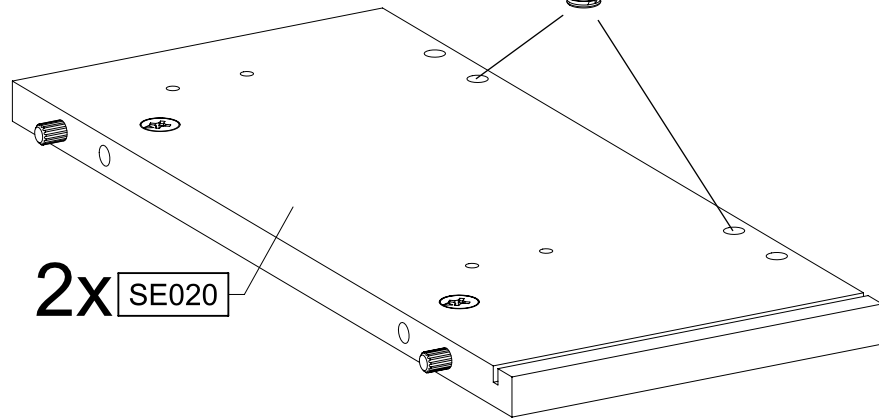
8x 1479



1479

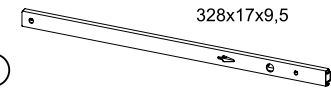


2x SE020



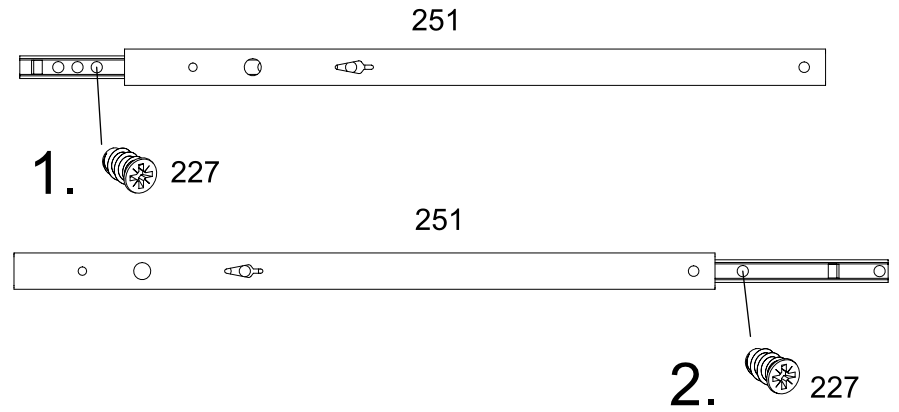
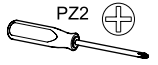
5

2x 251

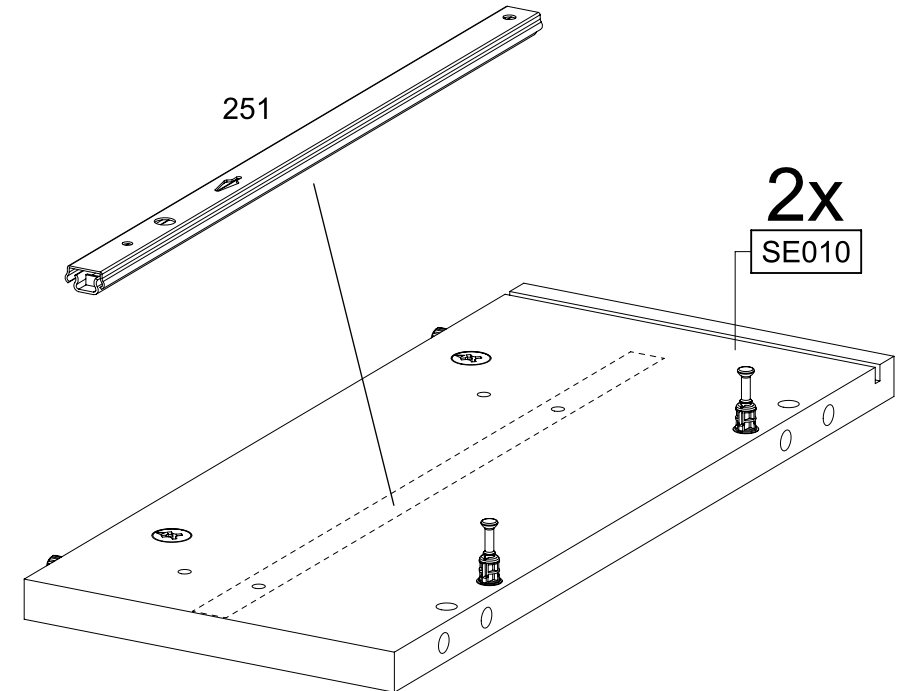


4x 227

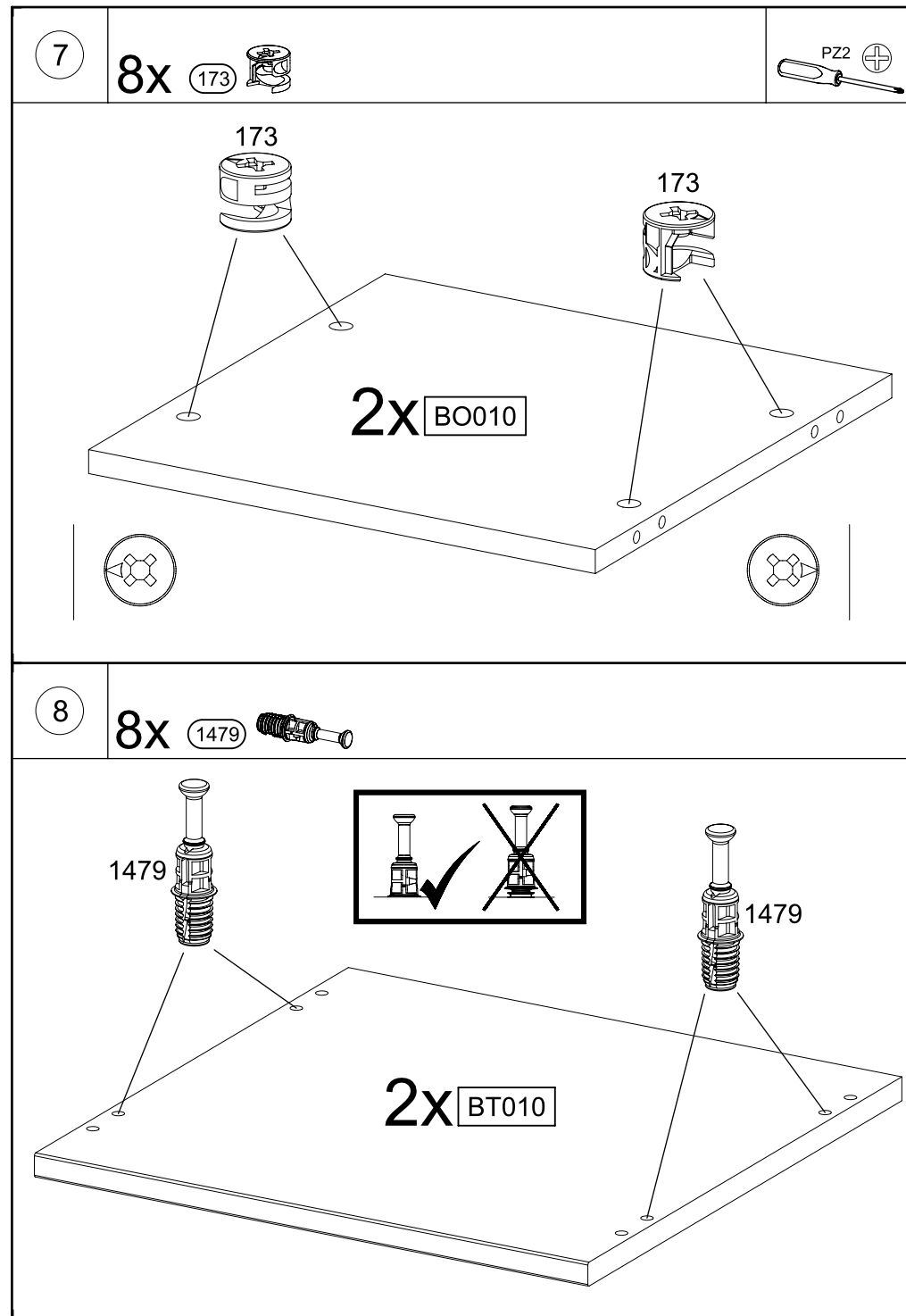
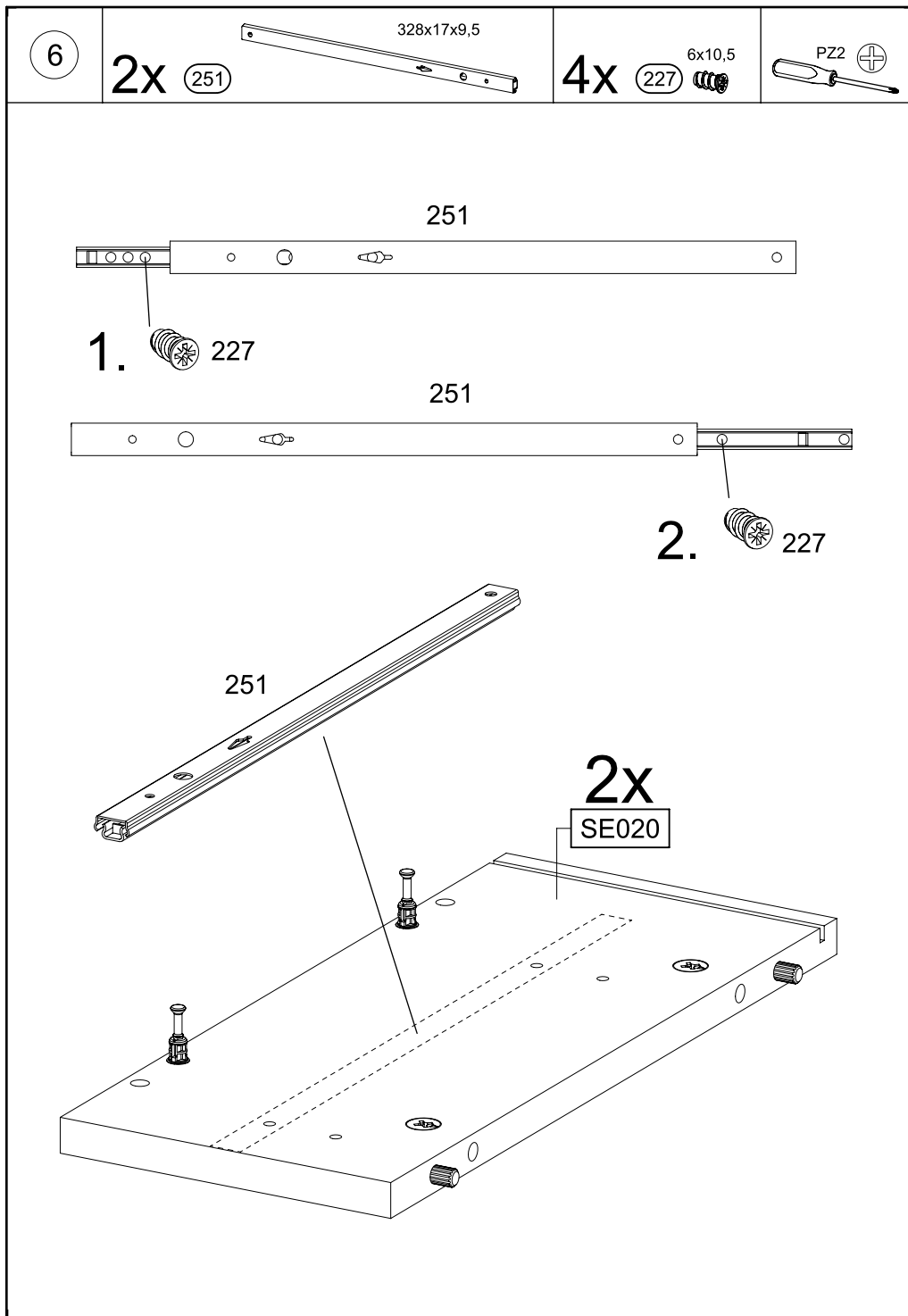
6x10,5

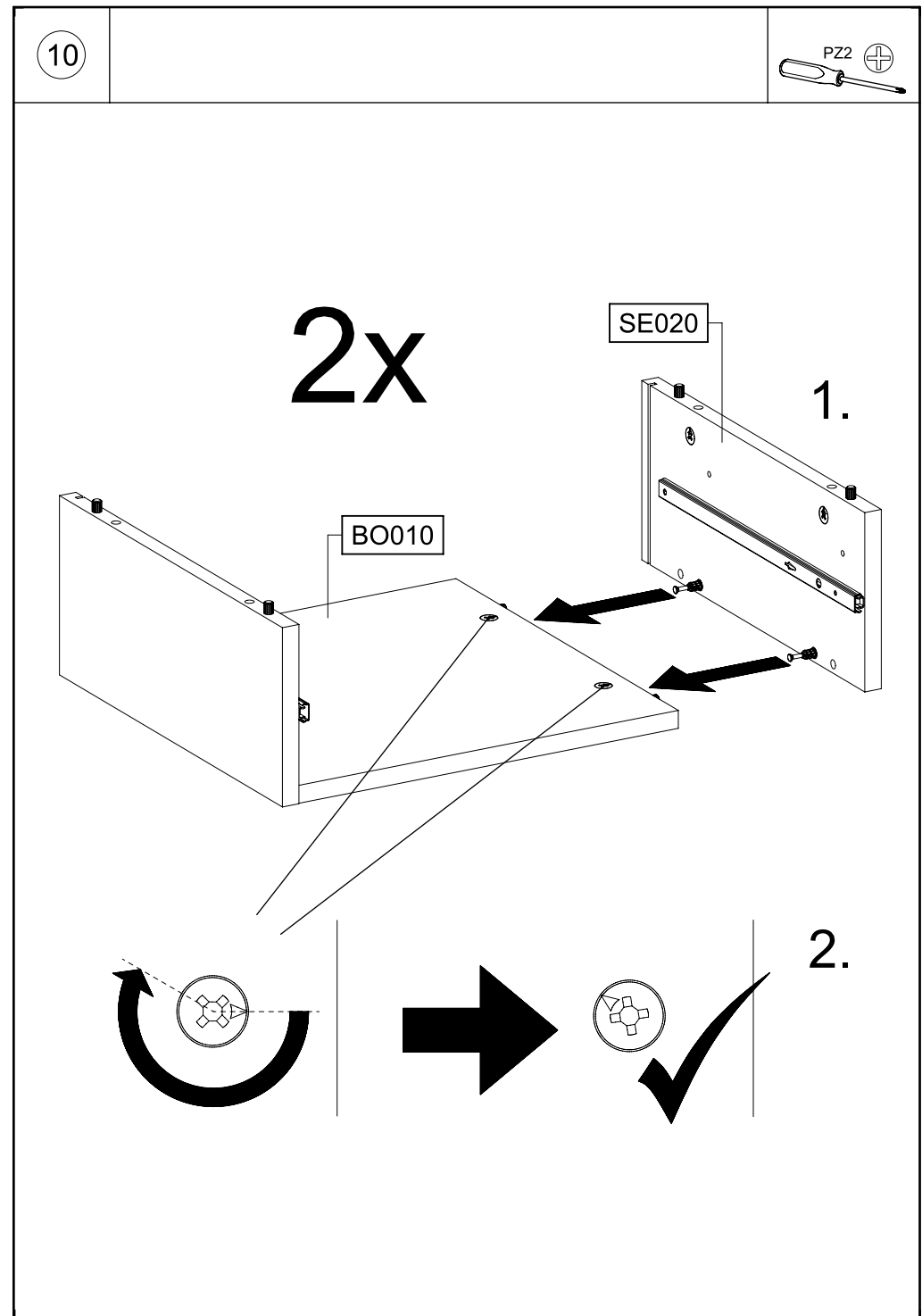
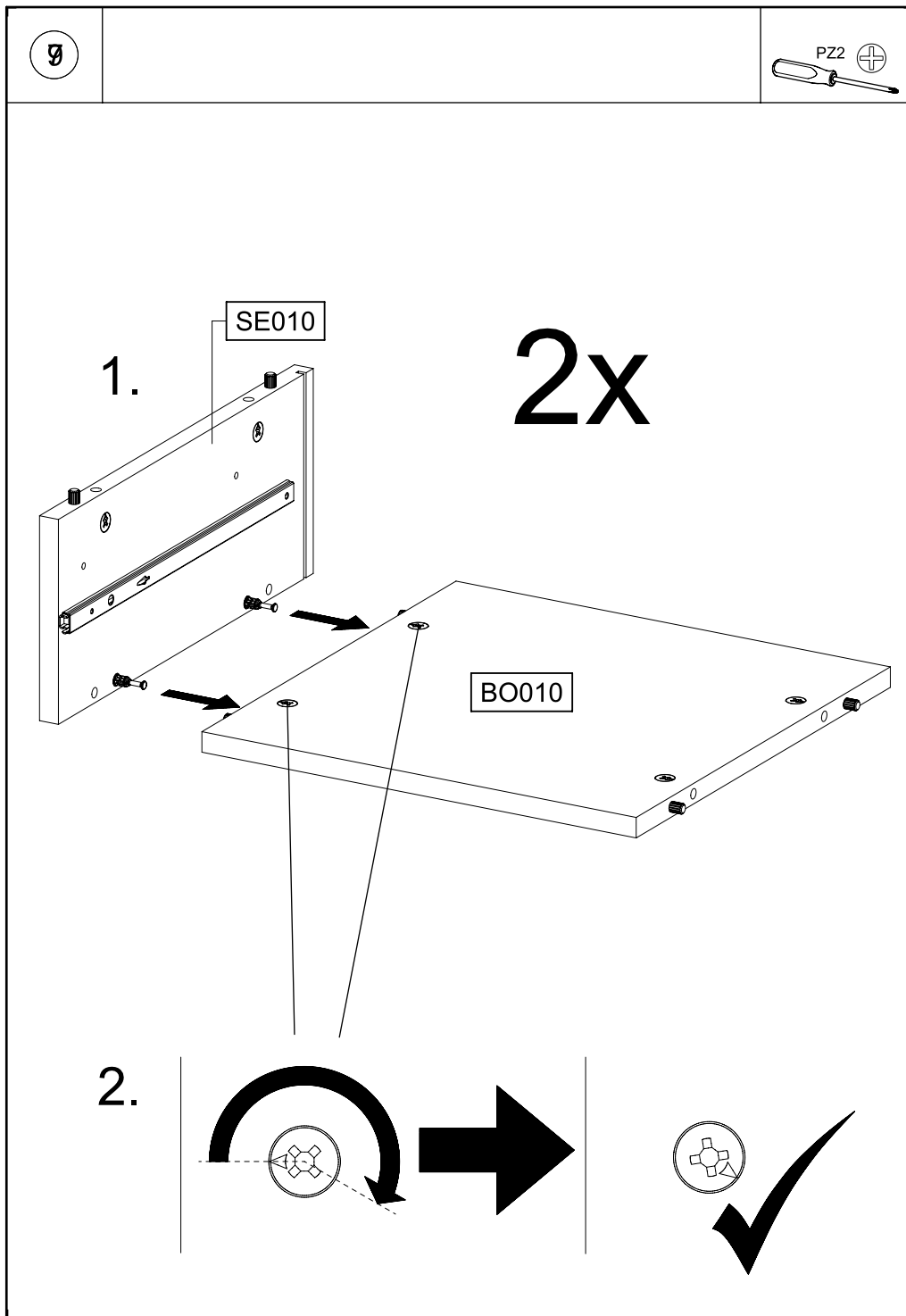


251

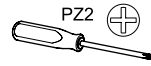


2x SE010

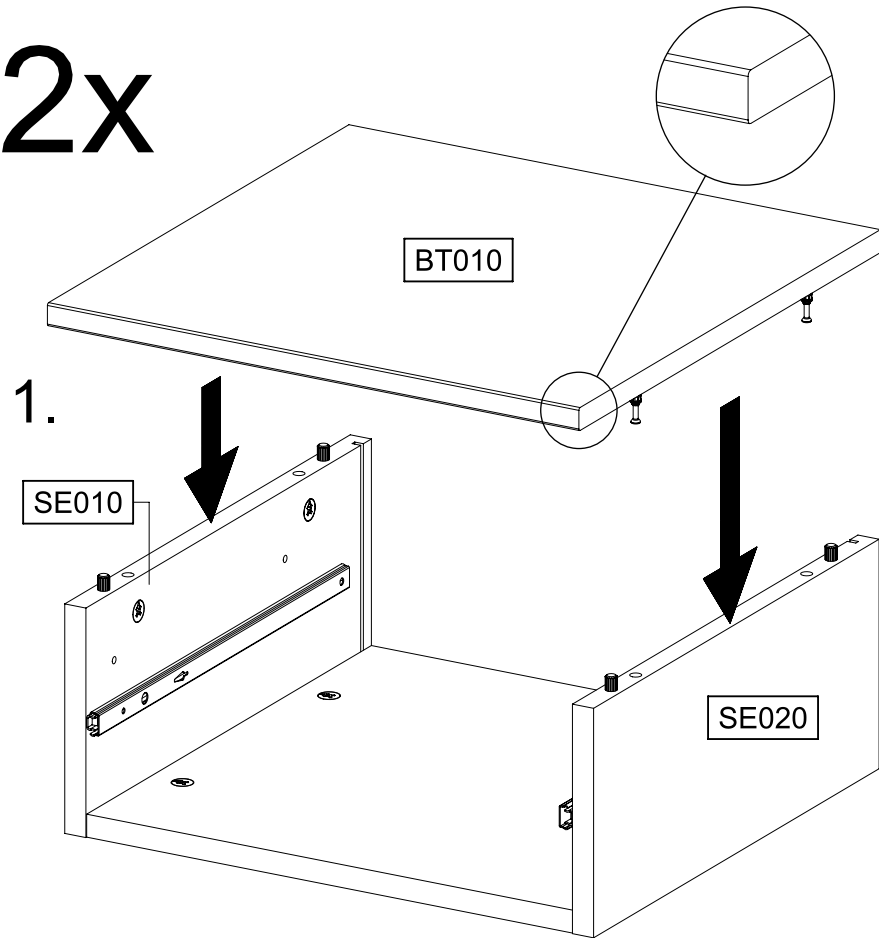




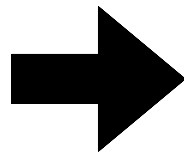
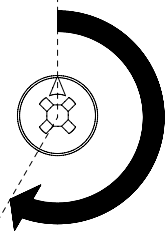
11



2x



2.

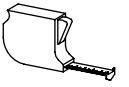
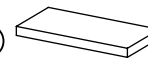


12

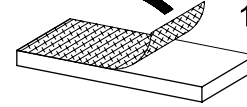
8x

127

40x20x3

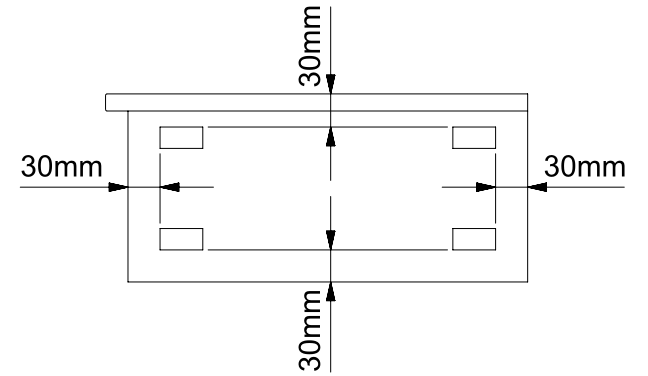


1.

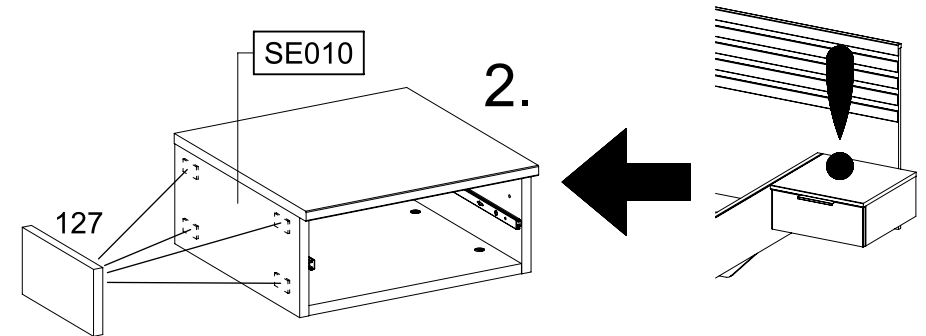
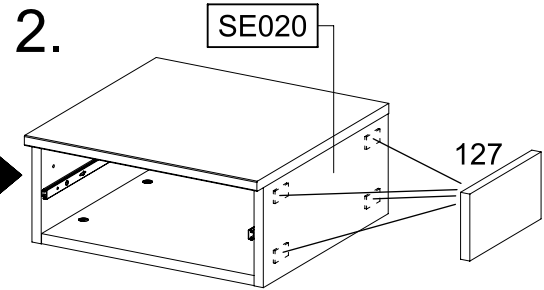
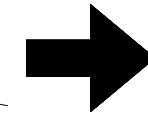
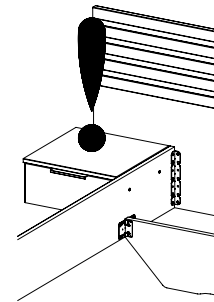


127

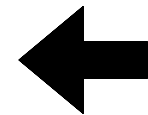
30mm



2.



2.

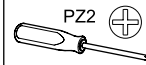
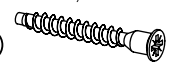


13

8x

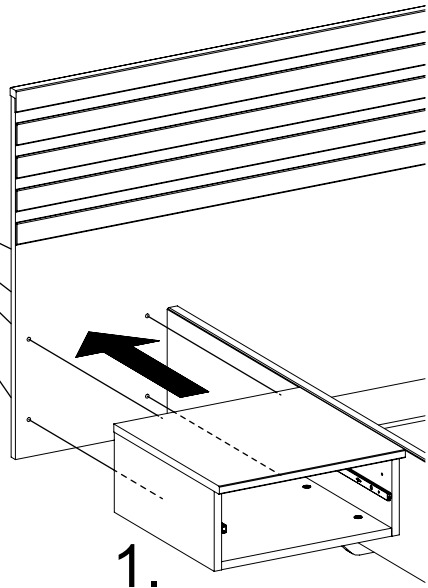
233

6,3x50



2.

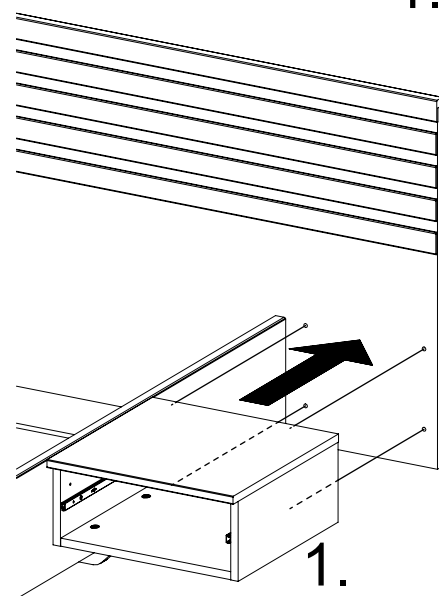
233



1.

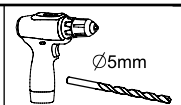
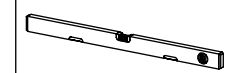
2.

233



1.

14



1.

BS020

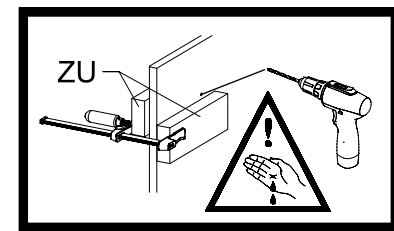
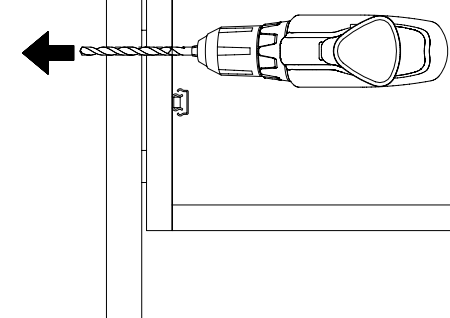
SE010

Ø5mm

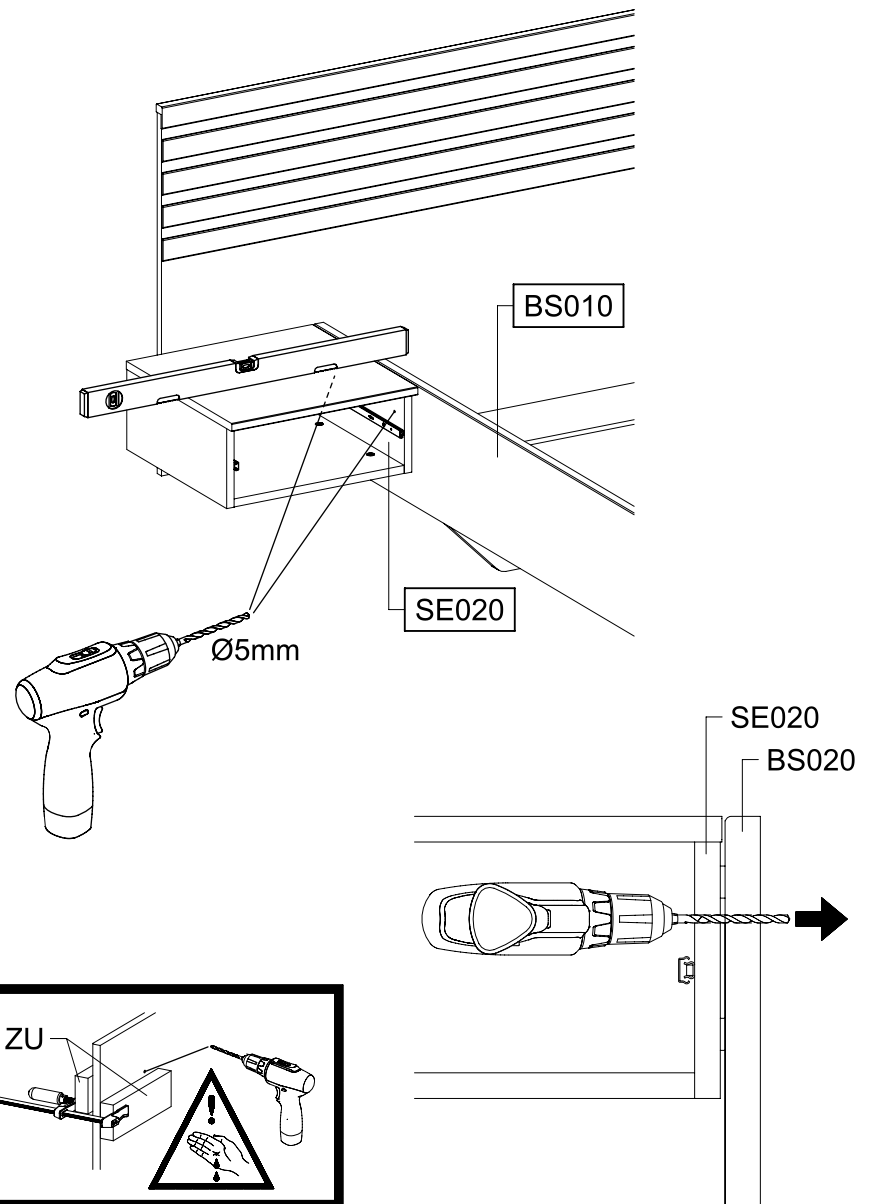
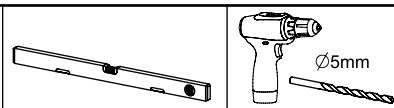
2.

SE010

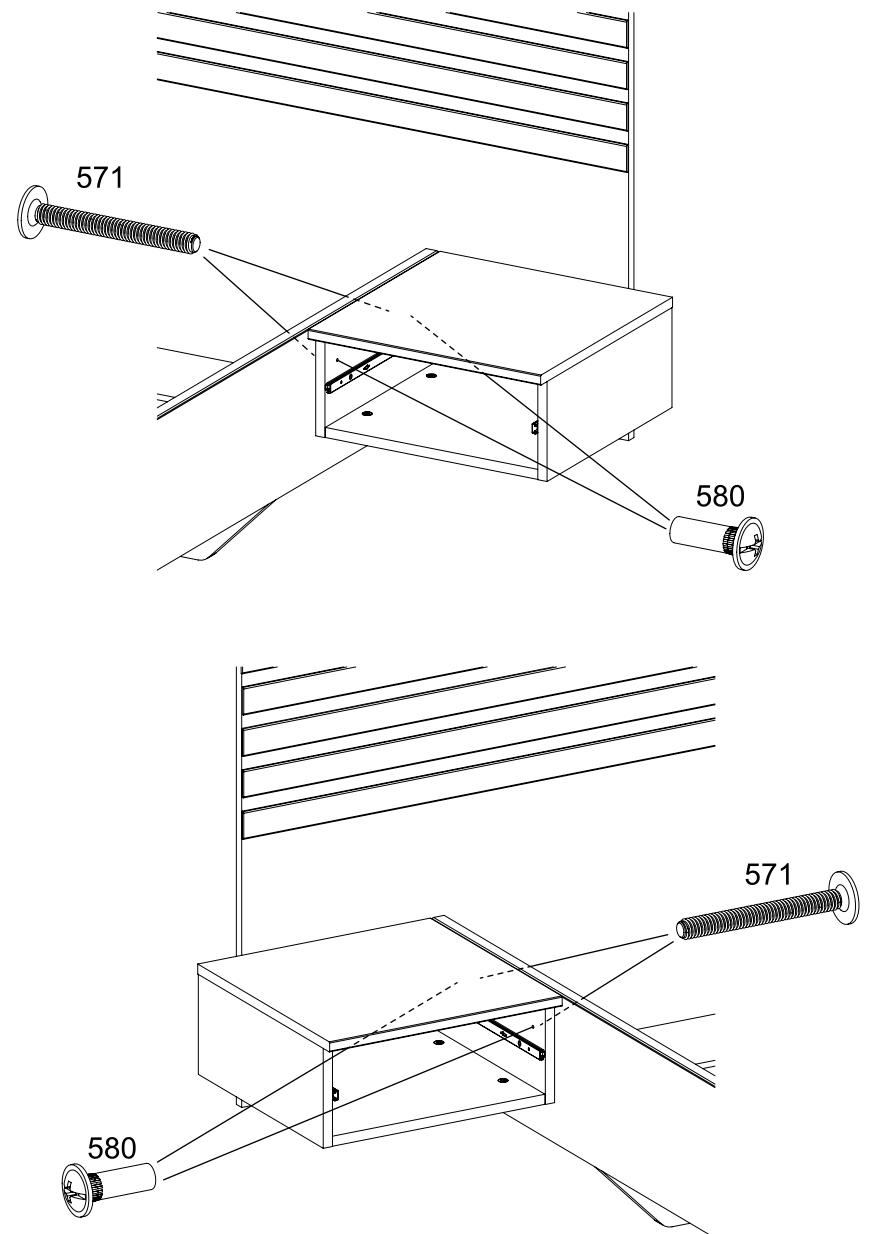
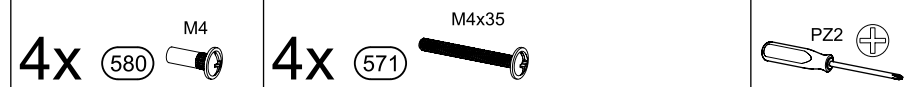
BS020



15



16

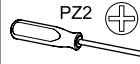


17

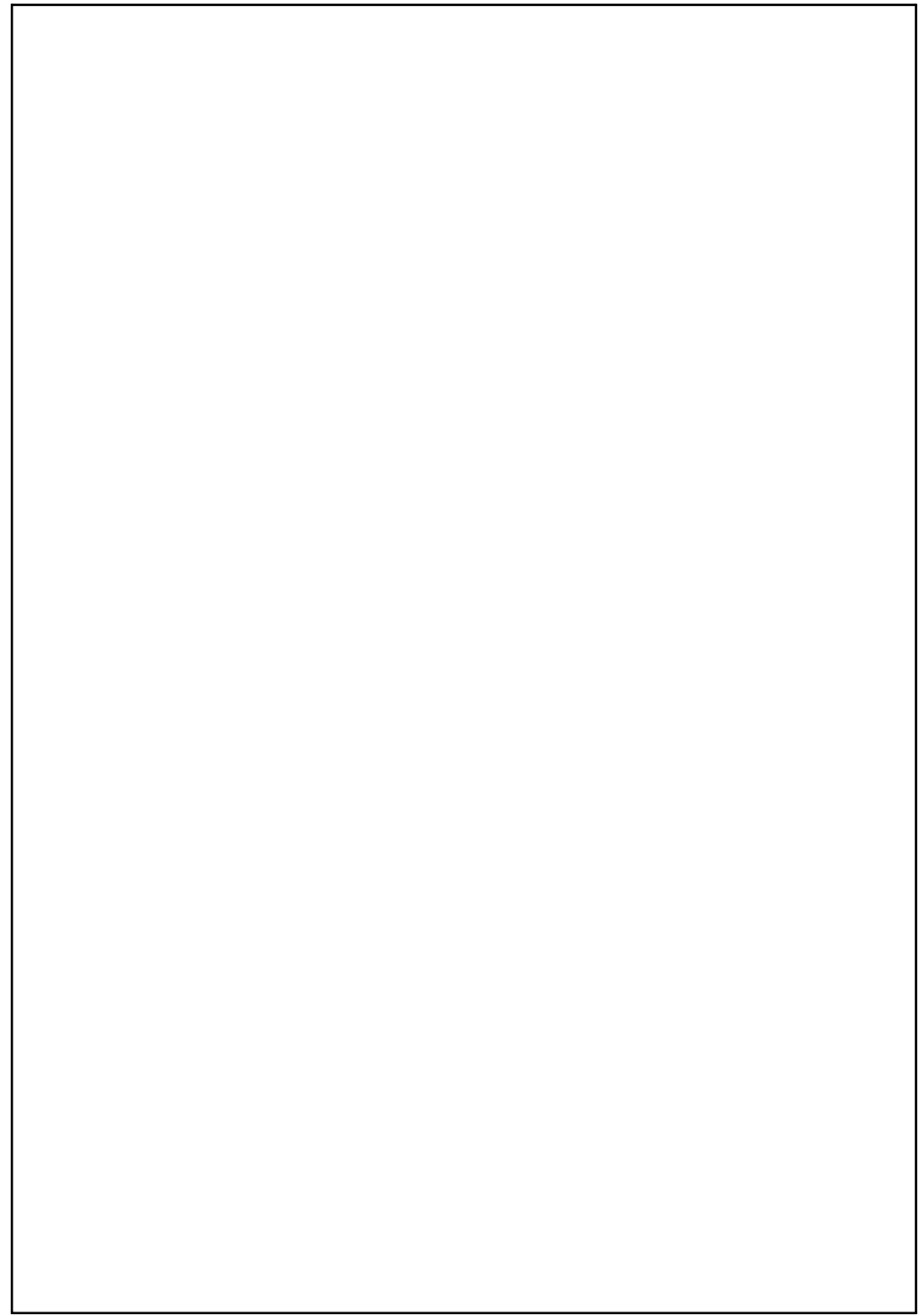
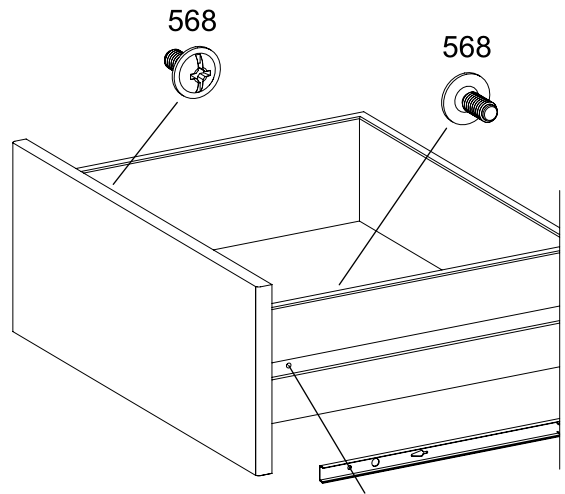
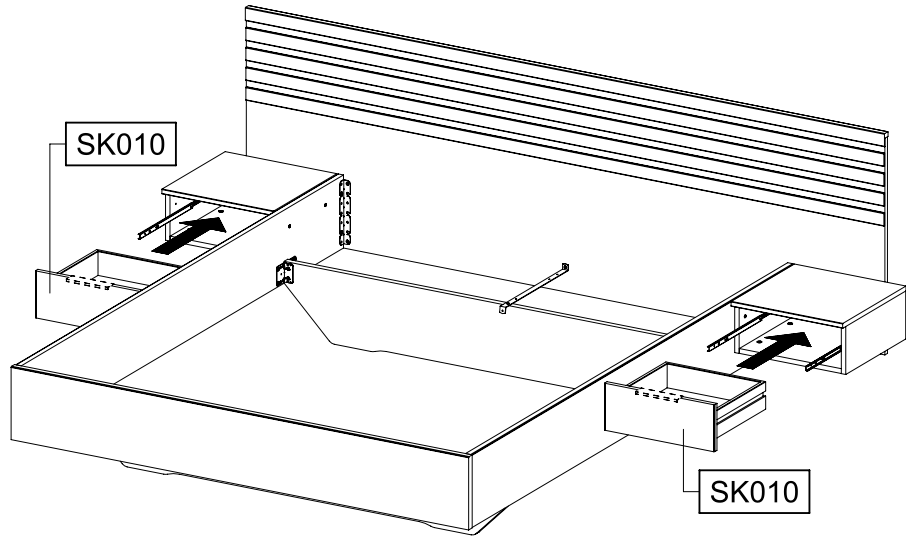
4x

568

M4x9

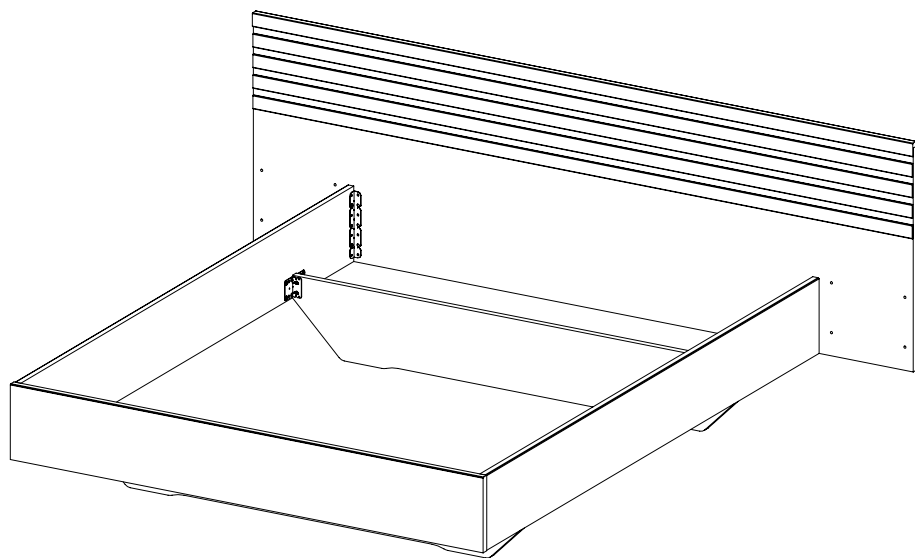
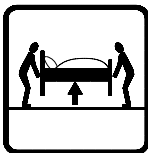
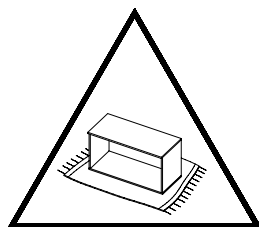
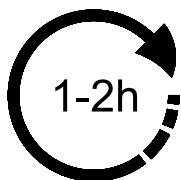
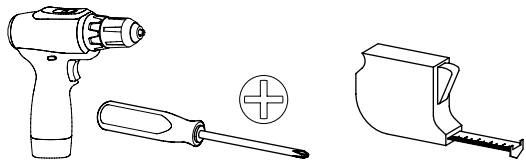


PZ2



1.

M3195\_01



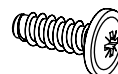
M3195

2.

30x

6,3x18

25



28x

4,5x16

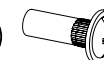
202



4x

M4

580



4x

M4x12

803



8x

M4

176



8x

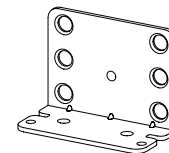
M4x32

56



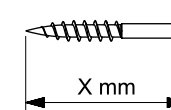
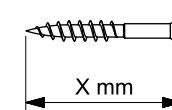
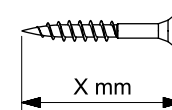
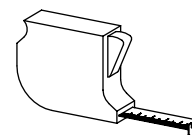
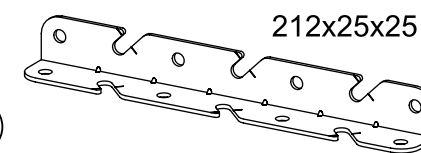
8x

856

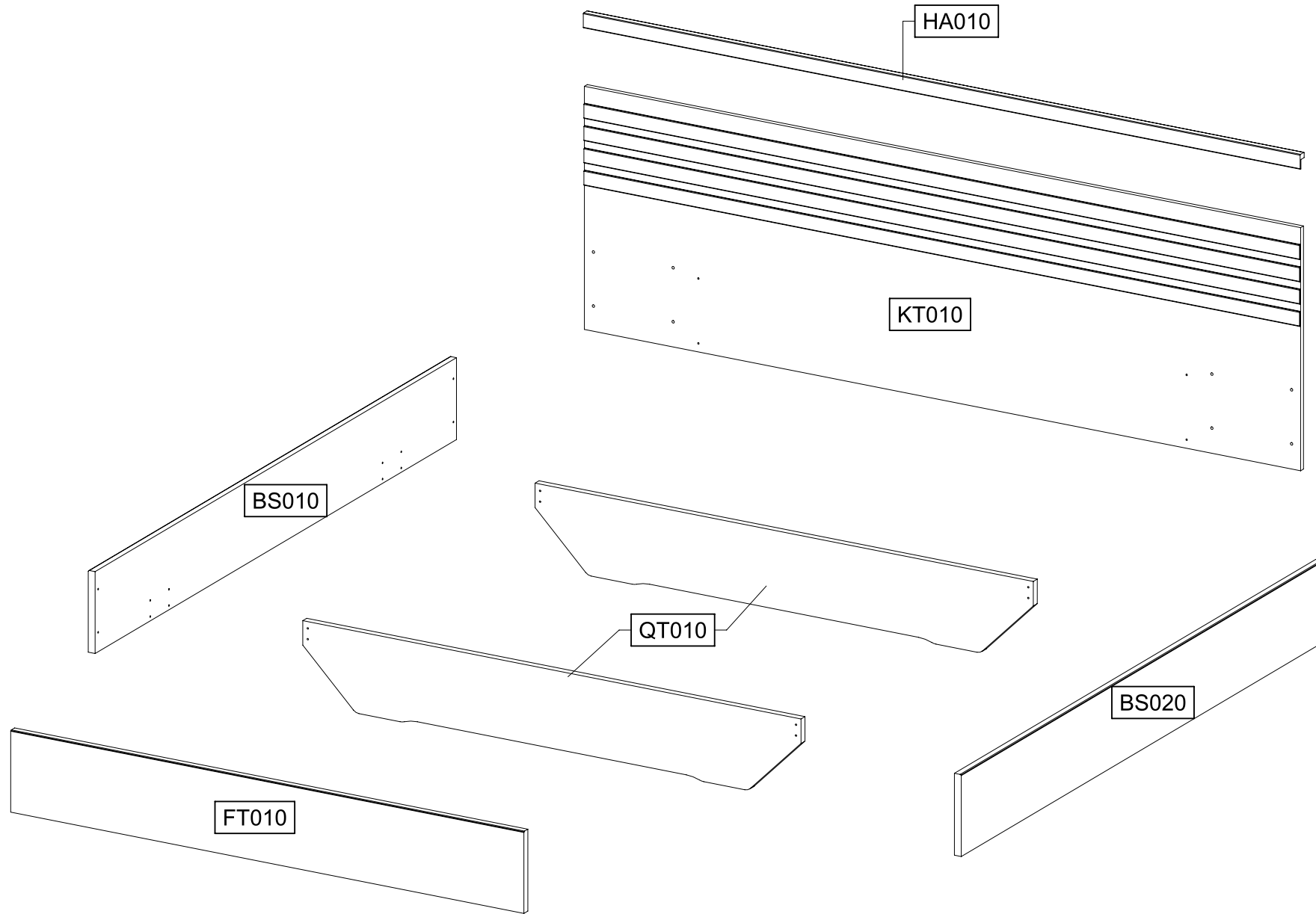


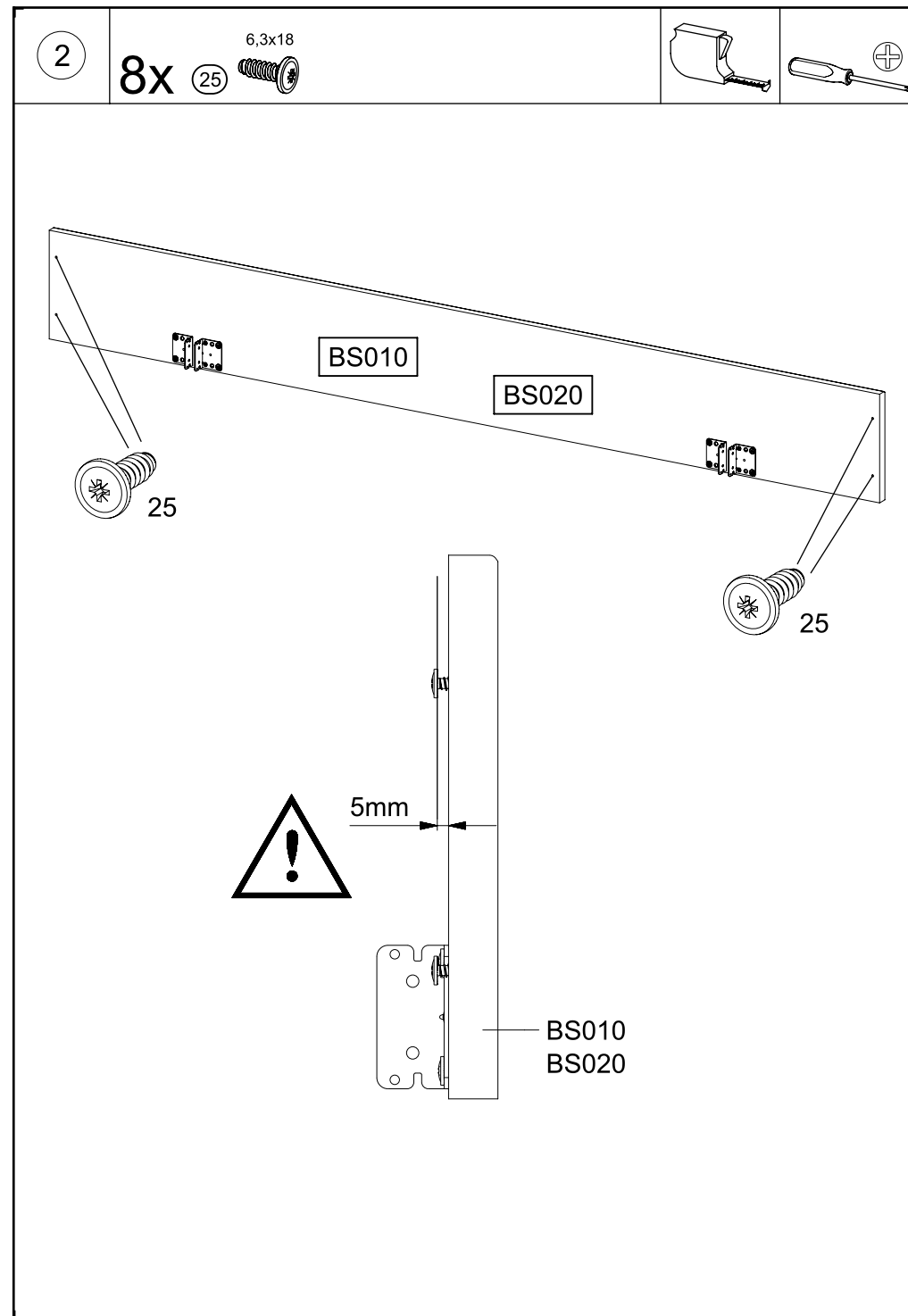
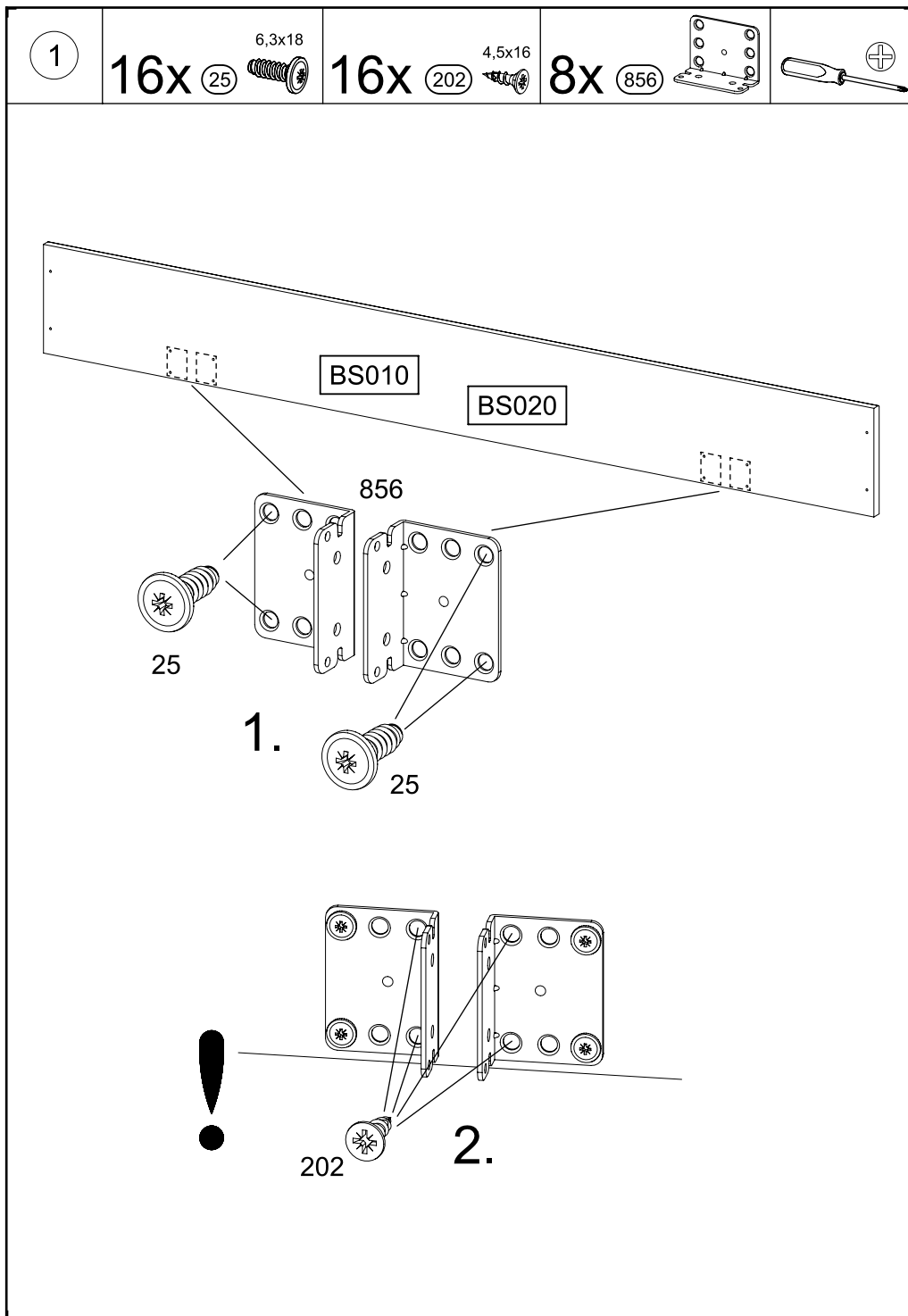
4x

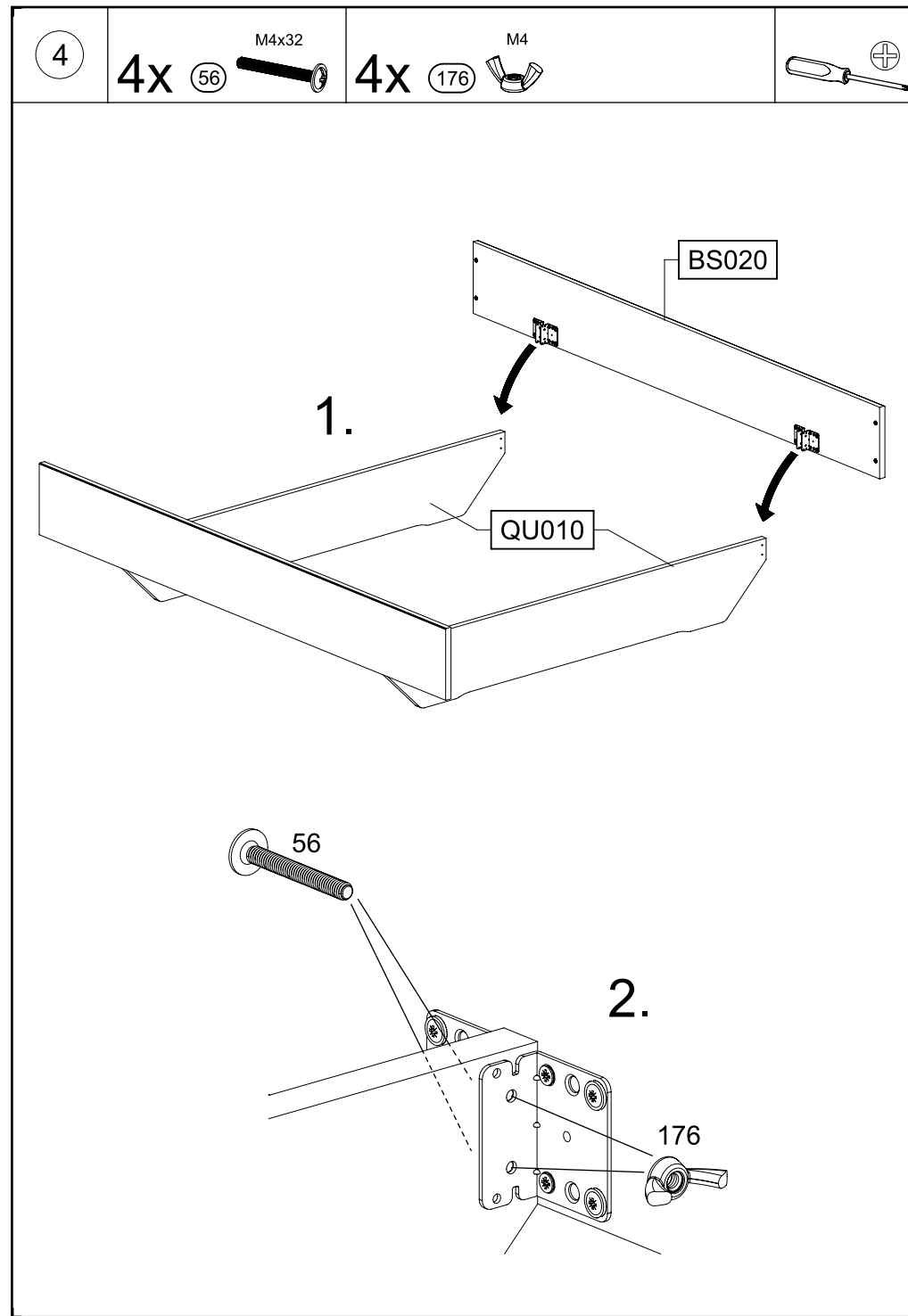
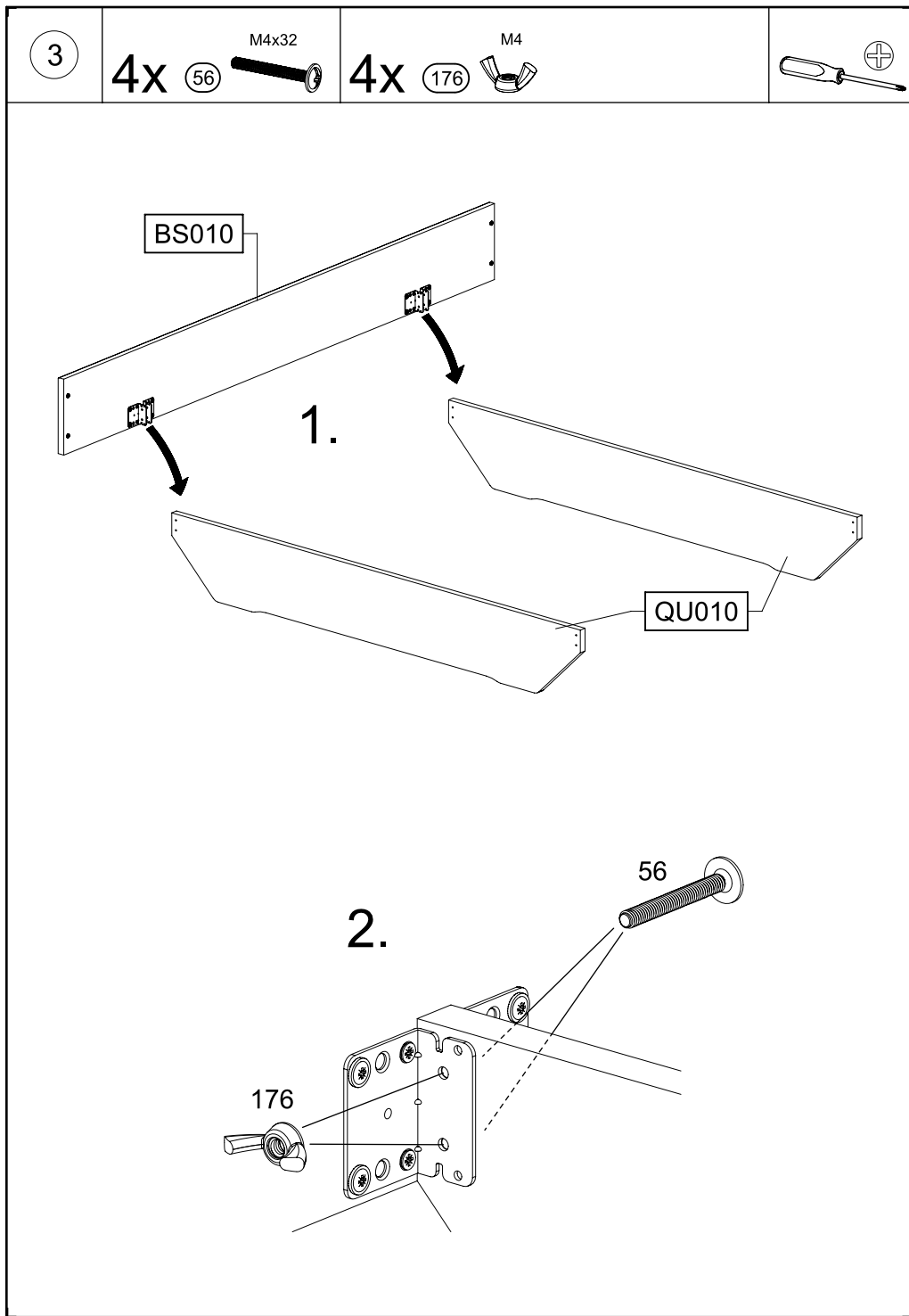
456

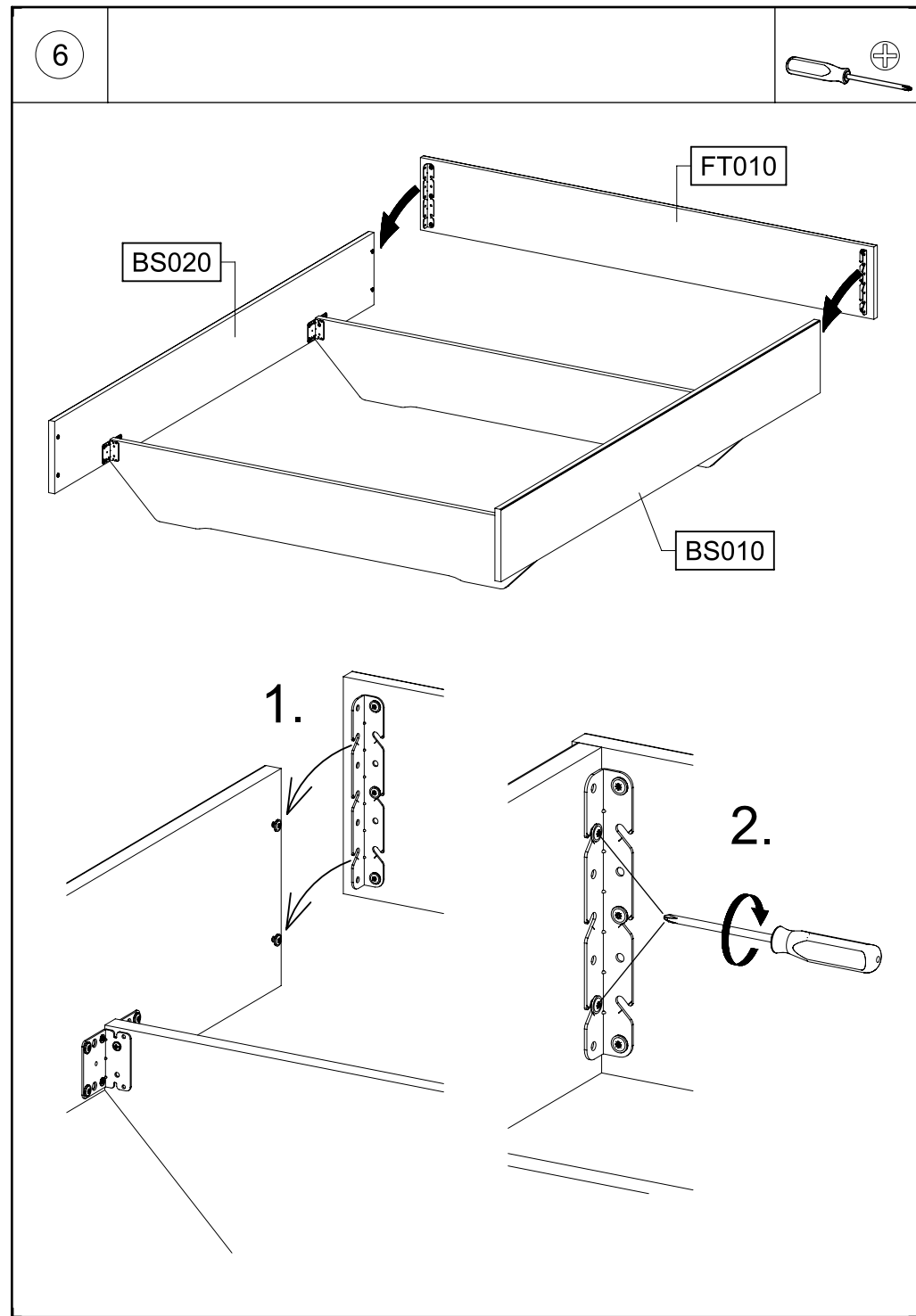
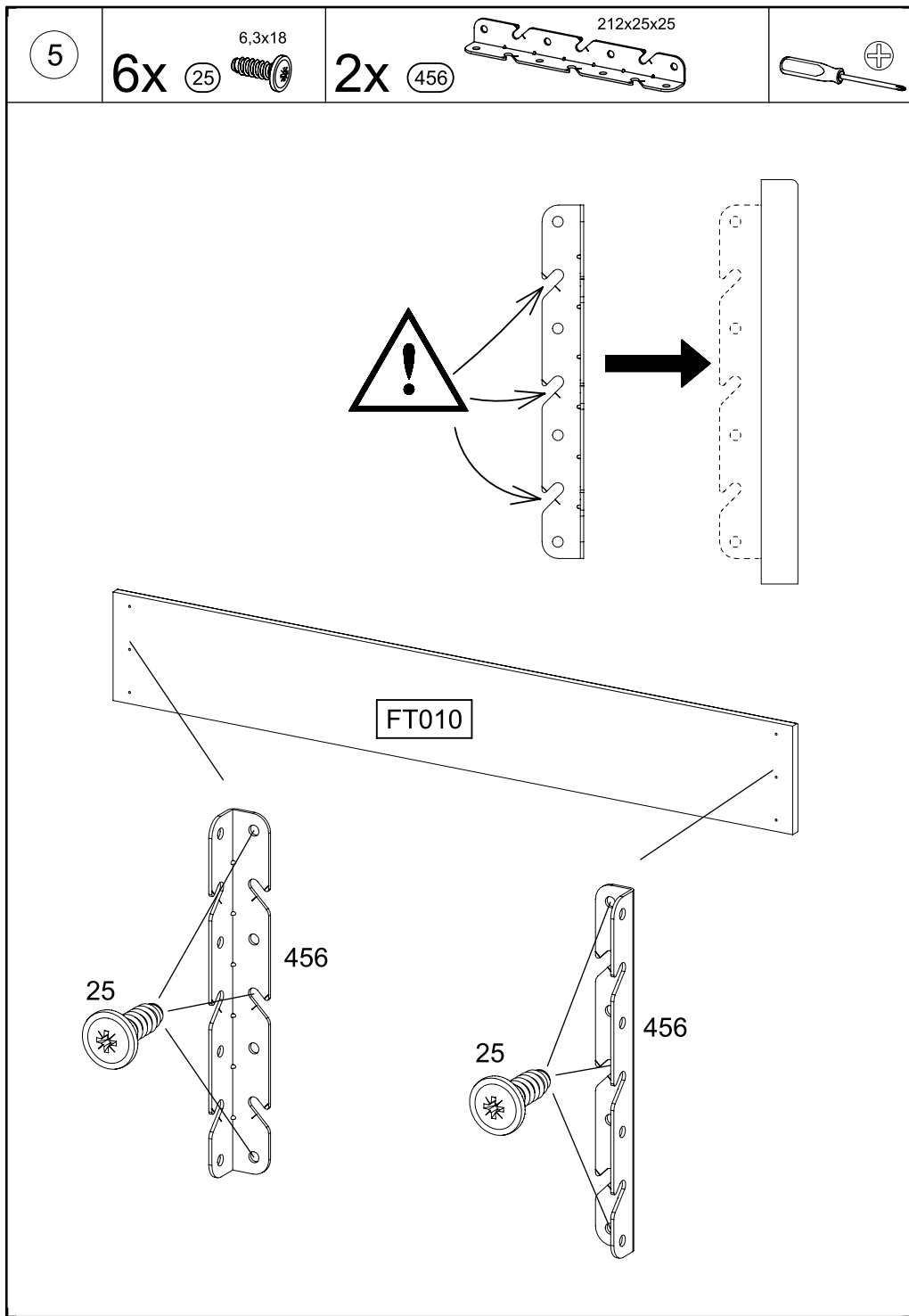


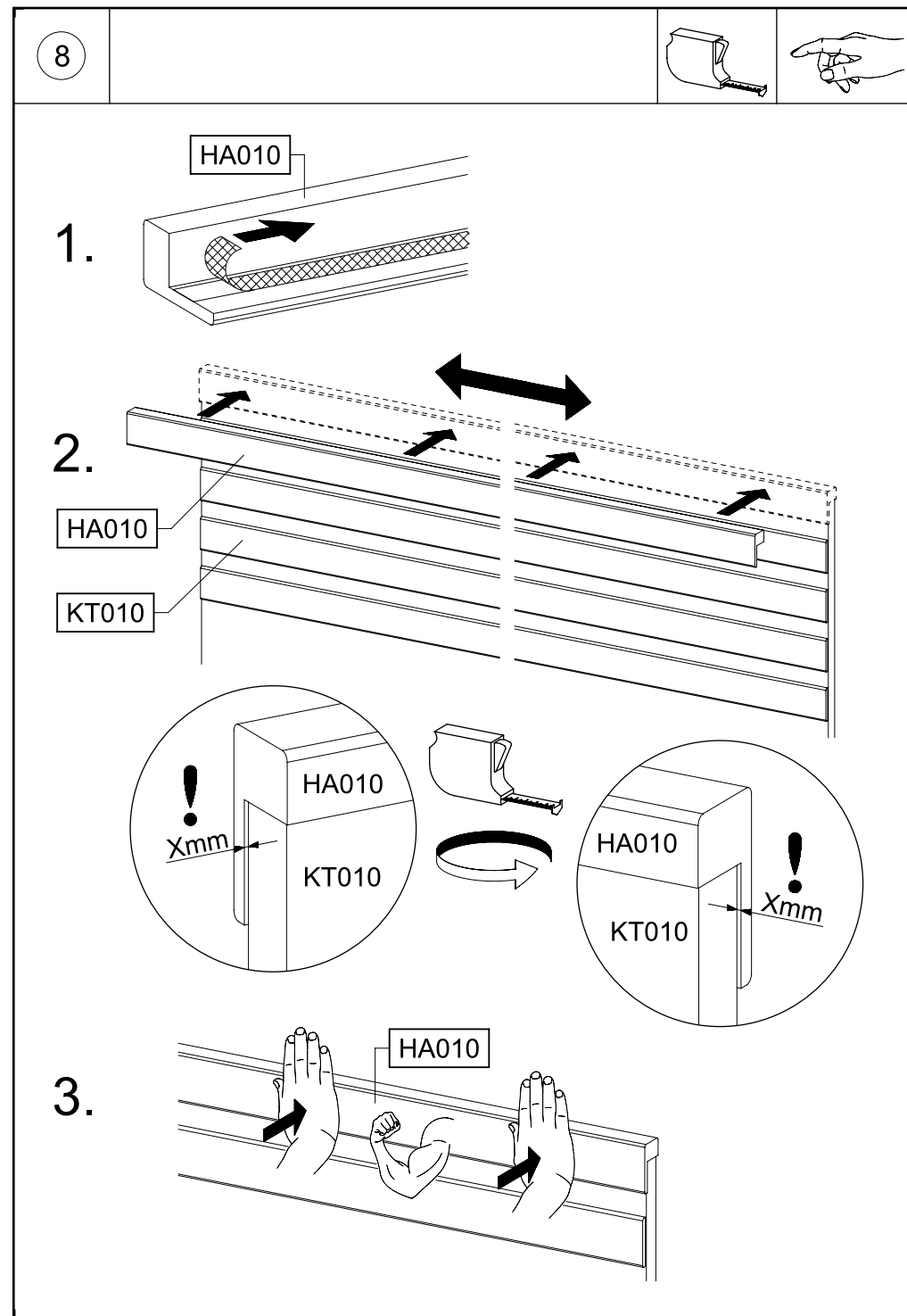
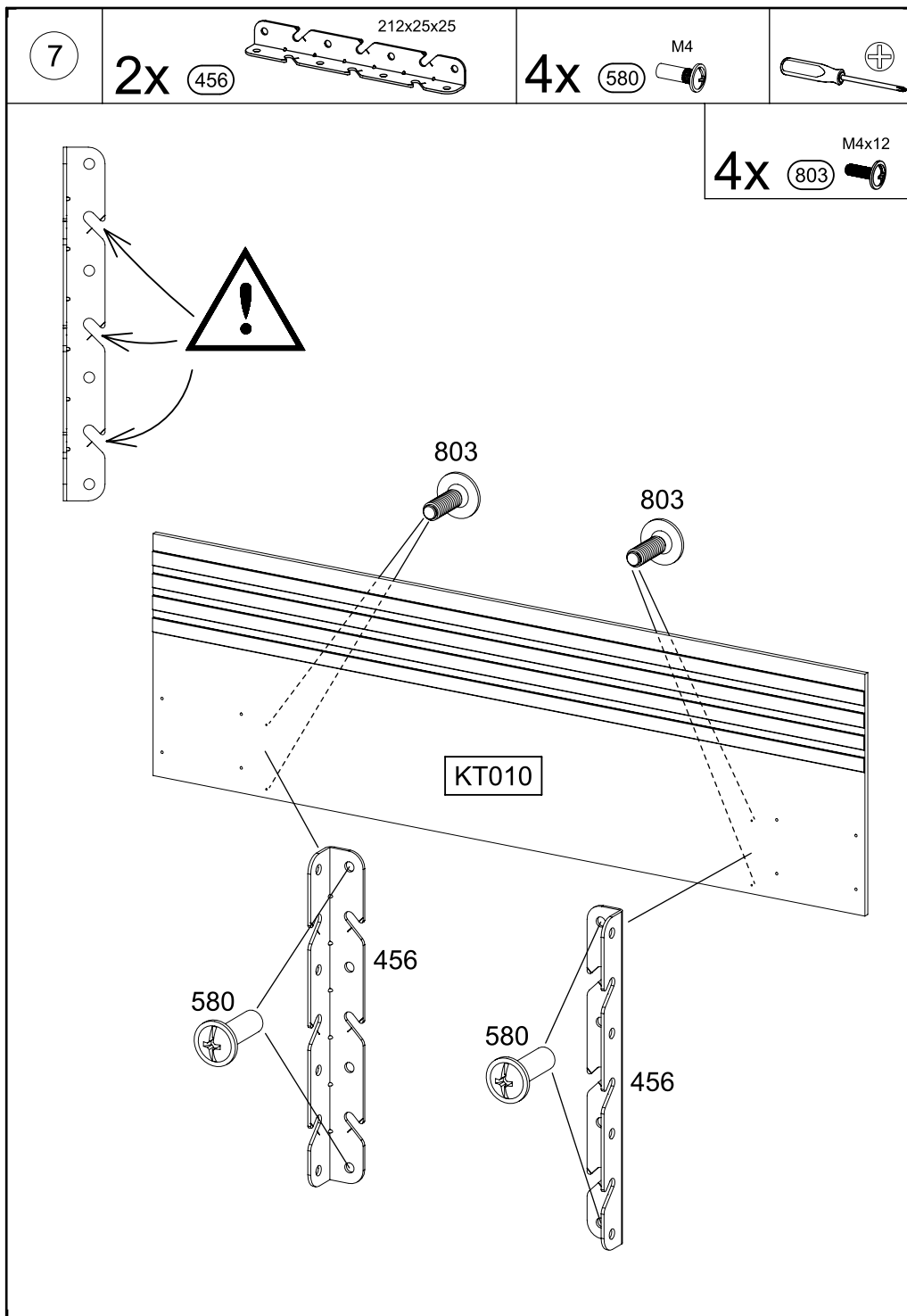
M3195



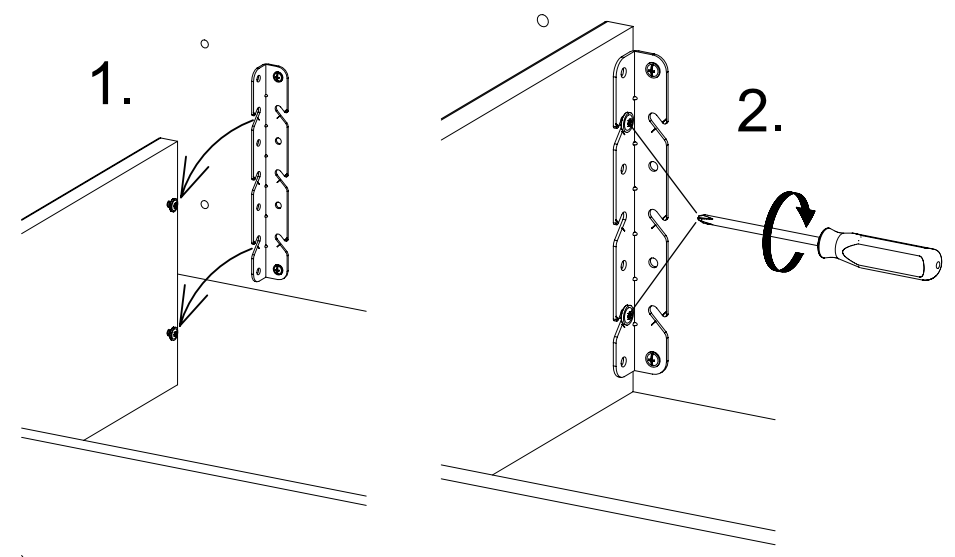
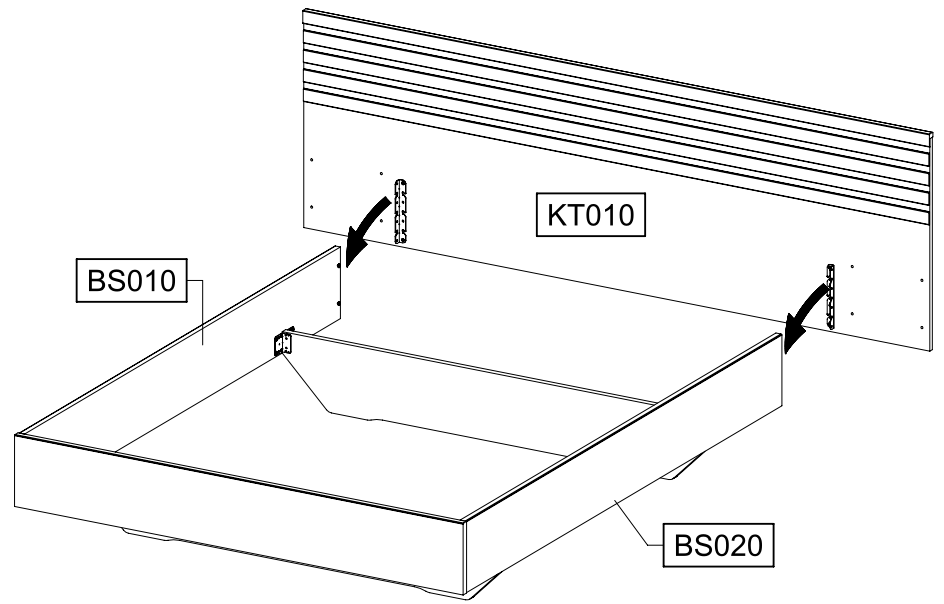
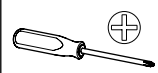








9



10

12x 202 4,5x16

