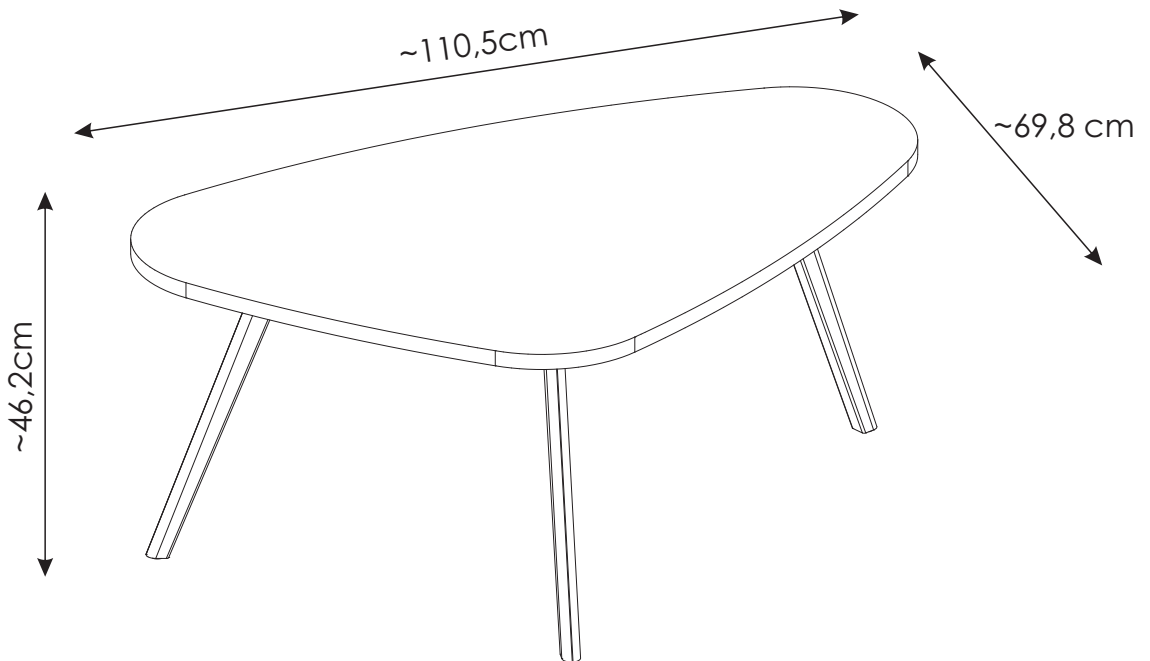
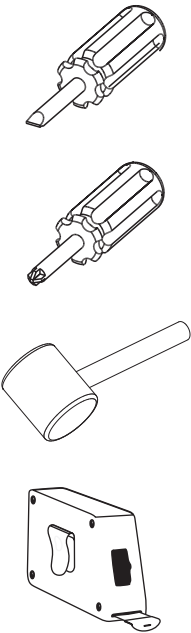
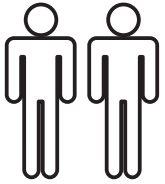
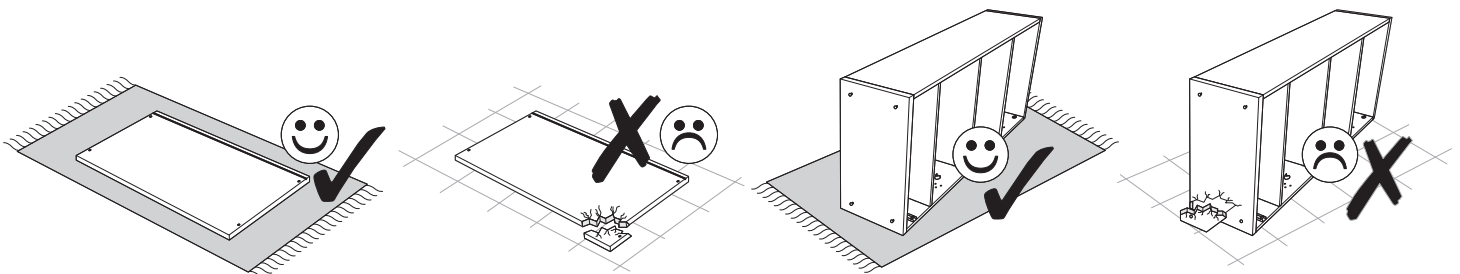
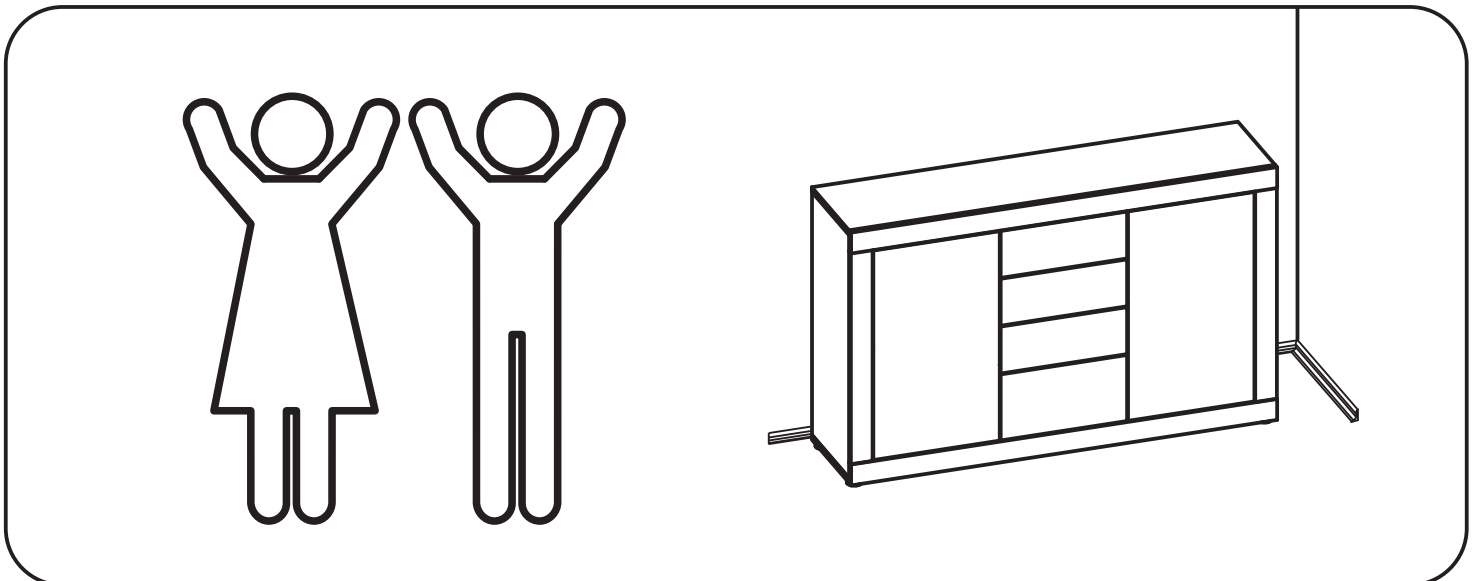
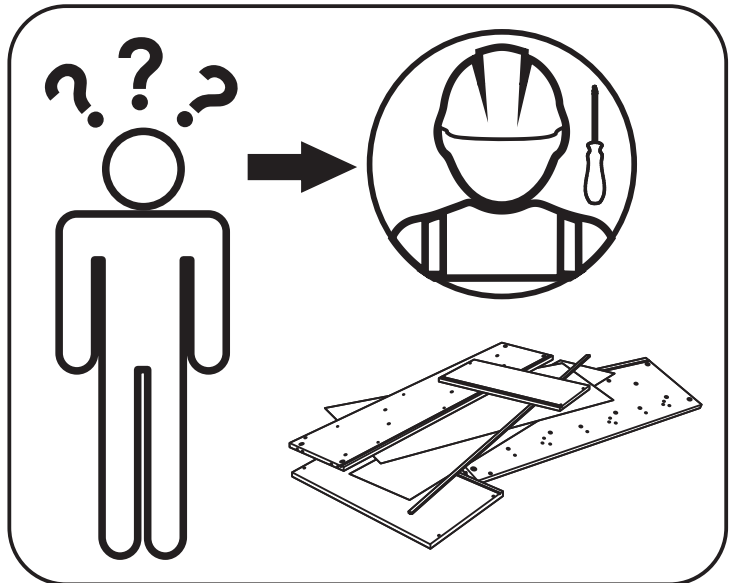
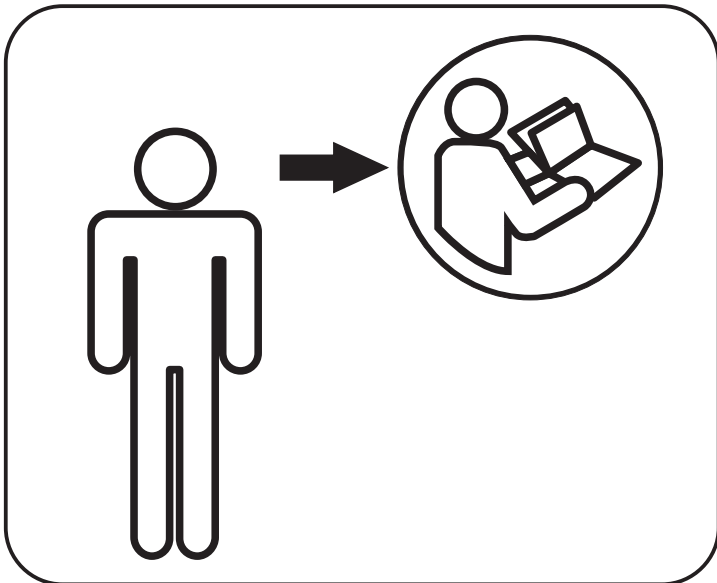
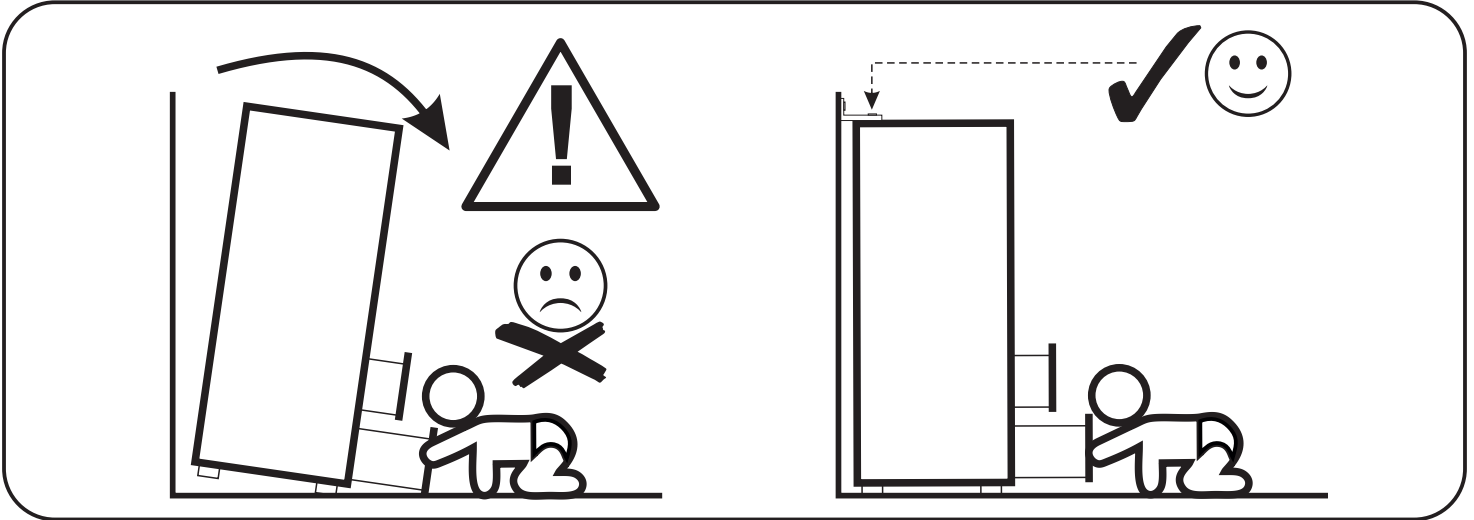
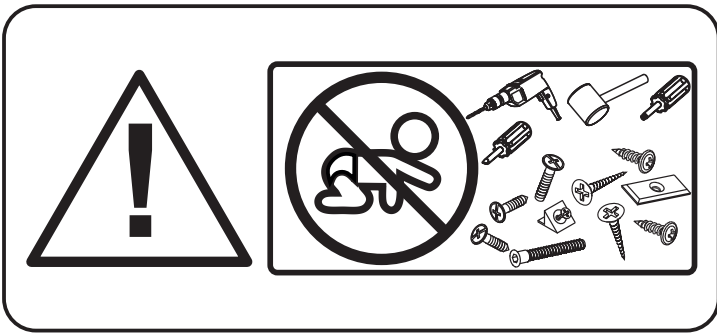


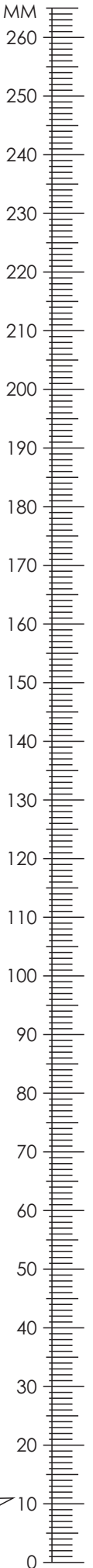
5099659/00

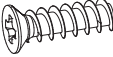



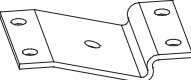


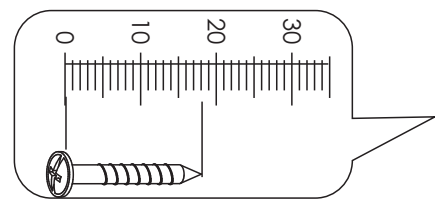
13 mm

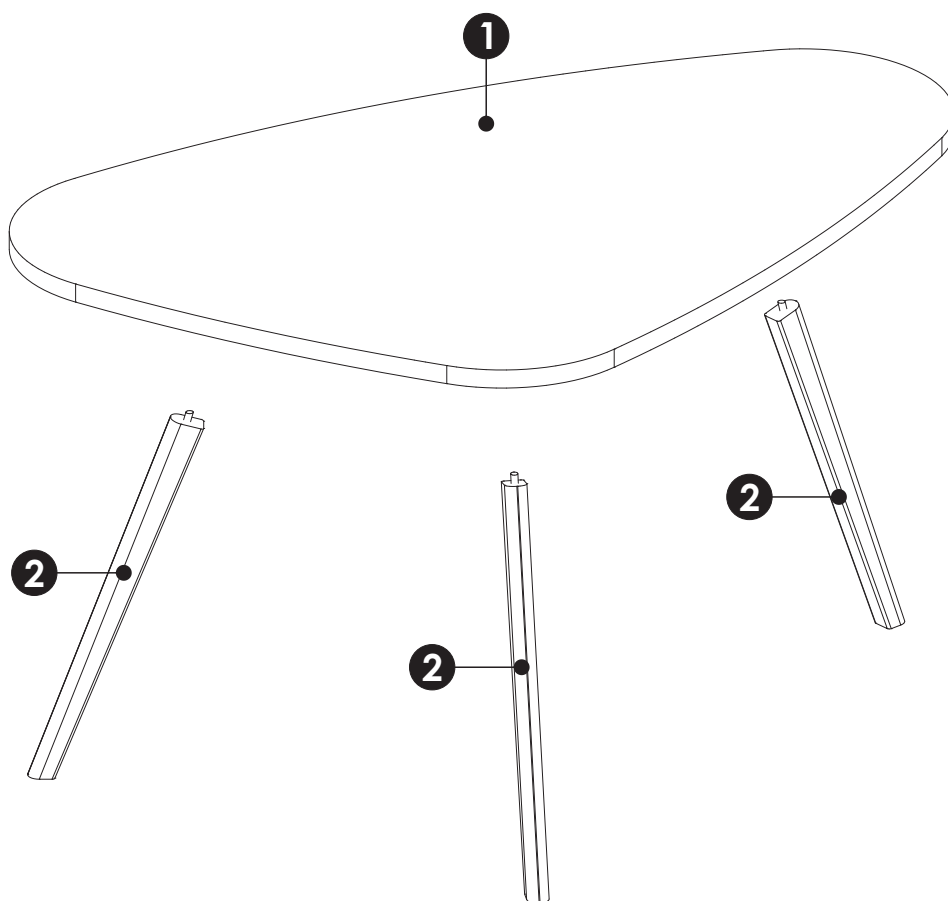
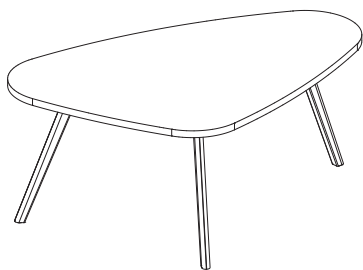






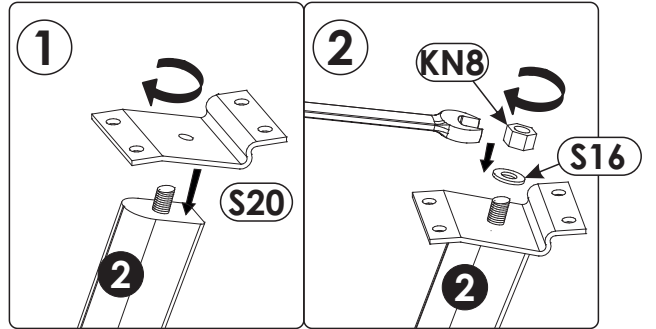
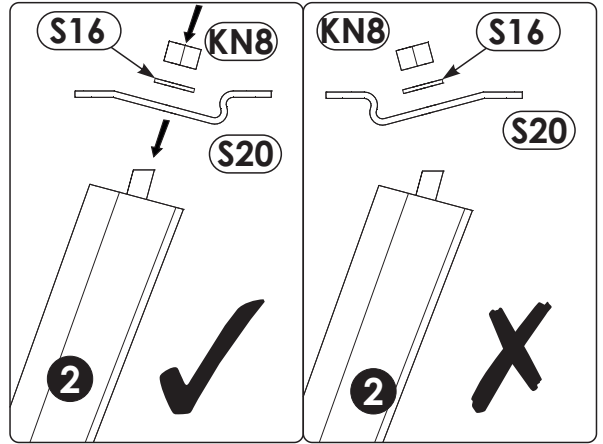
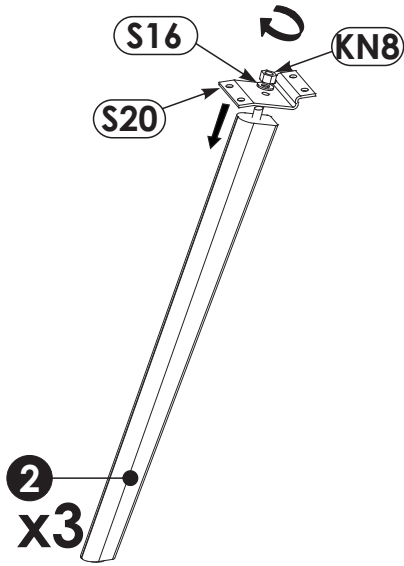
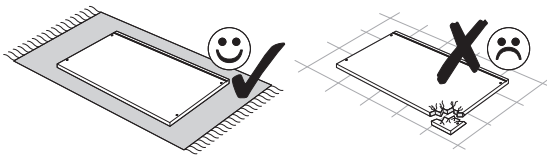
C8 6,3 x 20 mm x12 	KN8  M8 x3	O2A ø20 x3 
S16  x3	S20  x3	



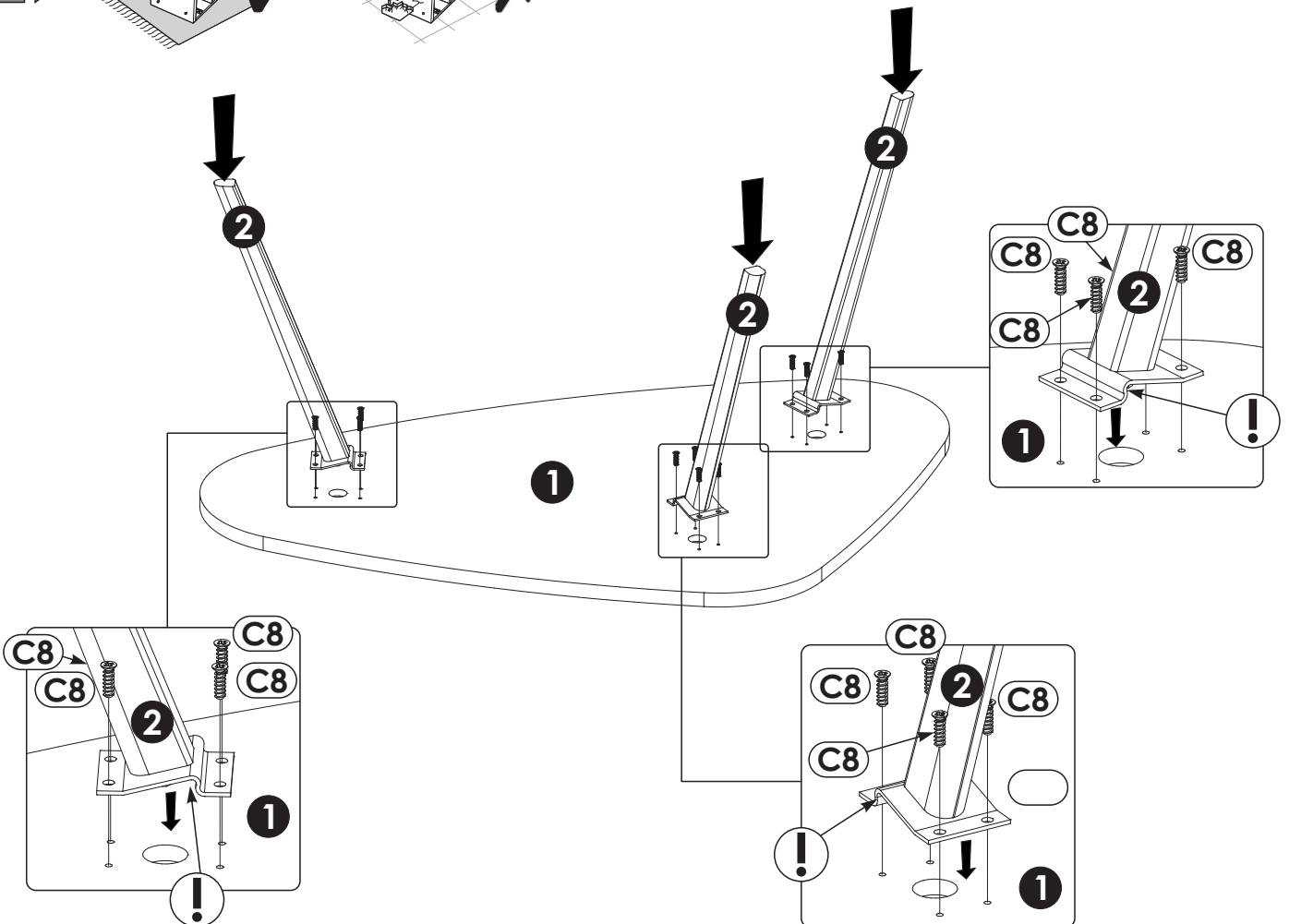
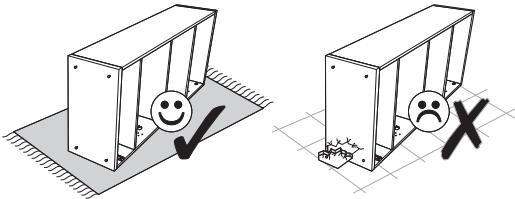


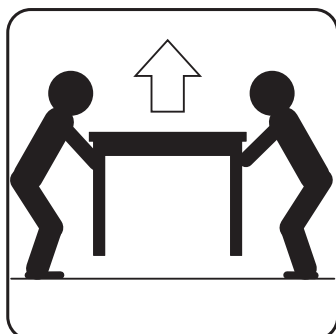
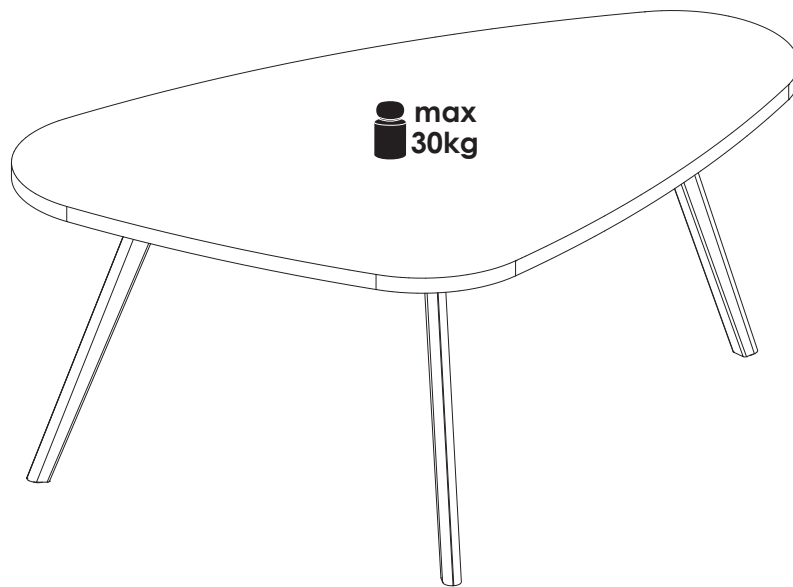
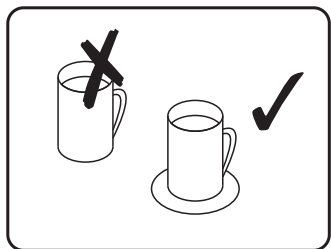
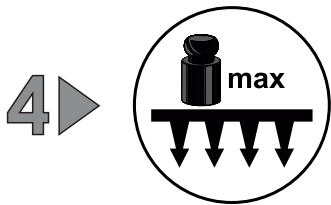
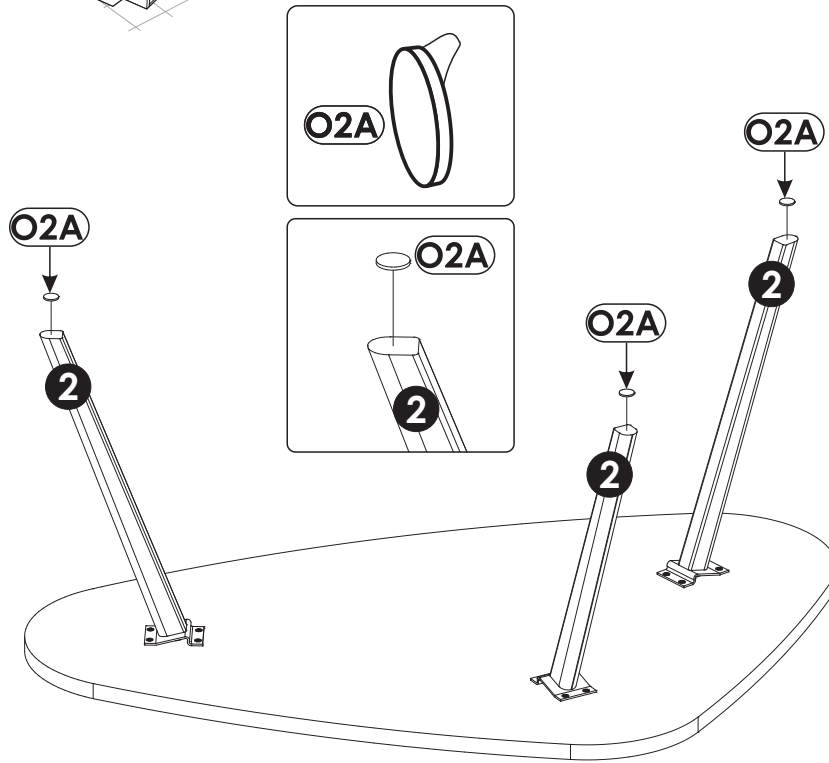
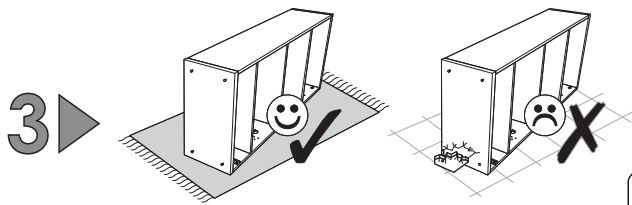
1	1105	698	22	x1	1/1
2	435	38	25	x3	1/1

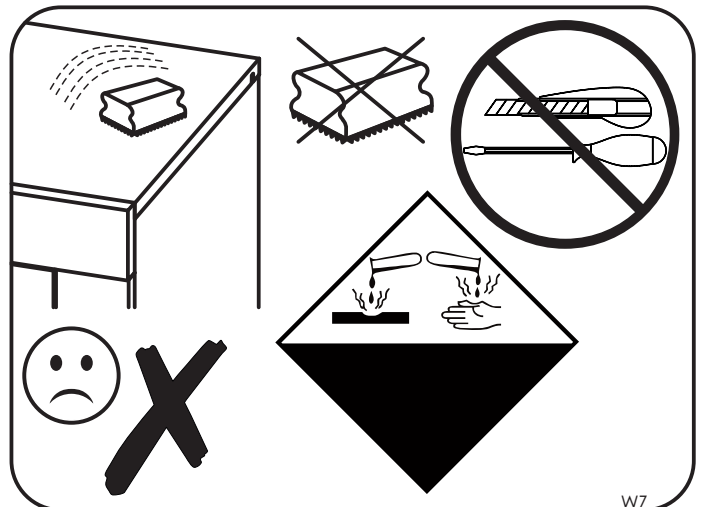
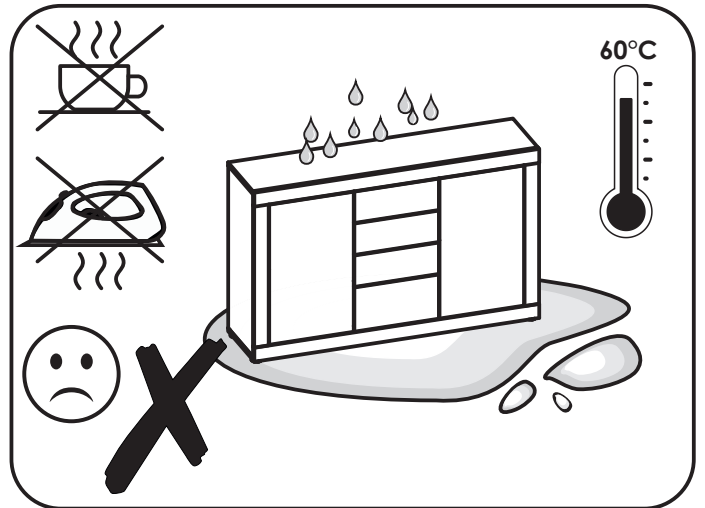
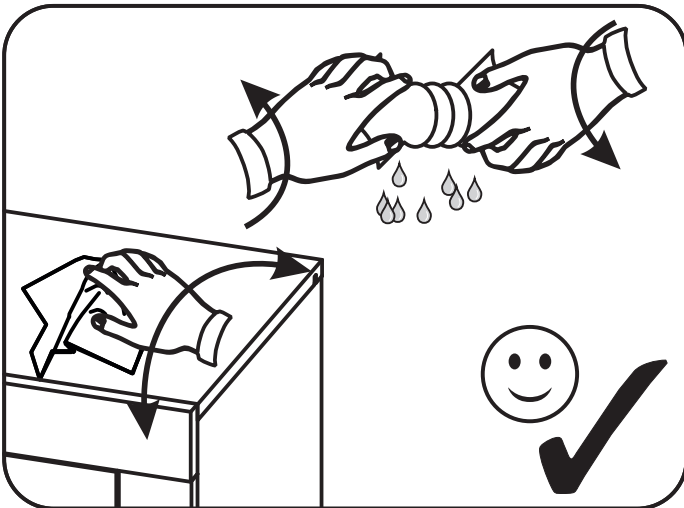
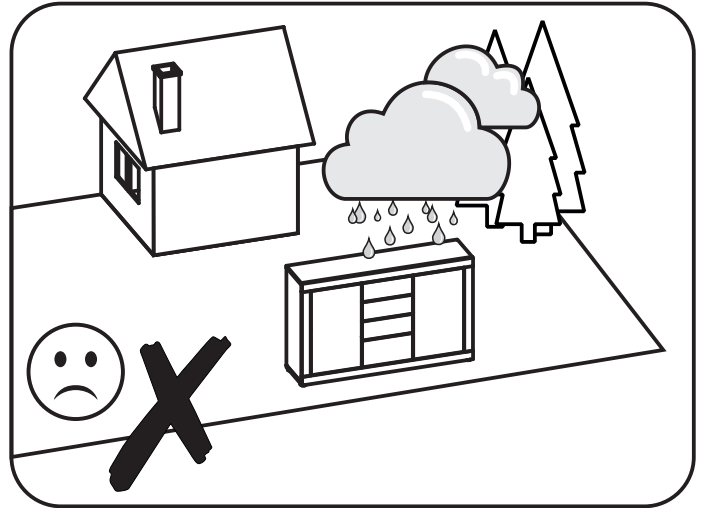
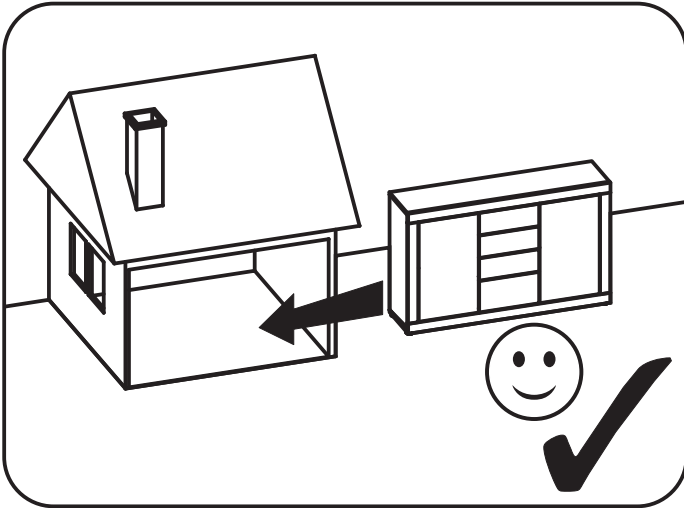
1 ▶



2 ▶







w7