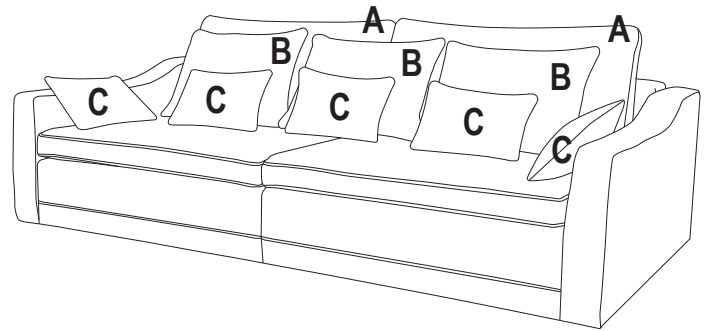
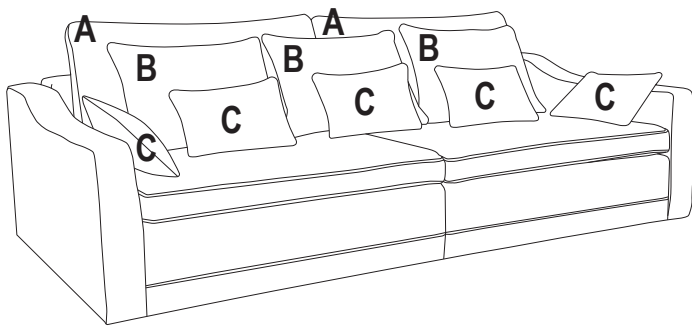
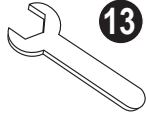
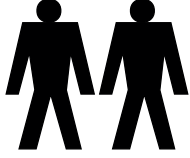


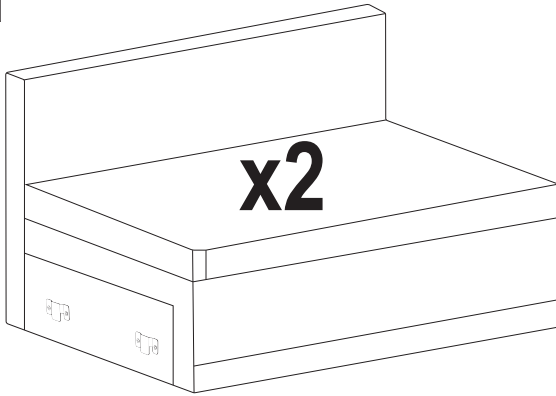
# EVORA



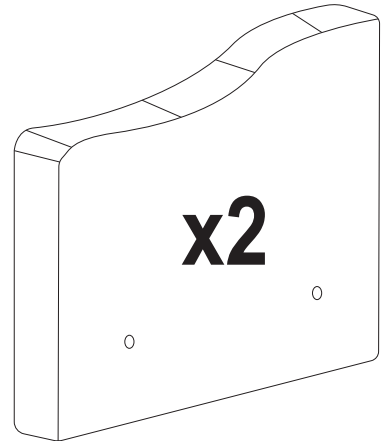
30min



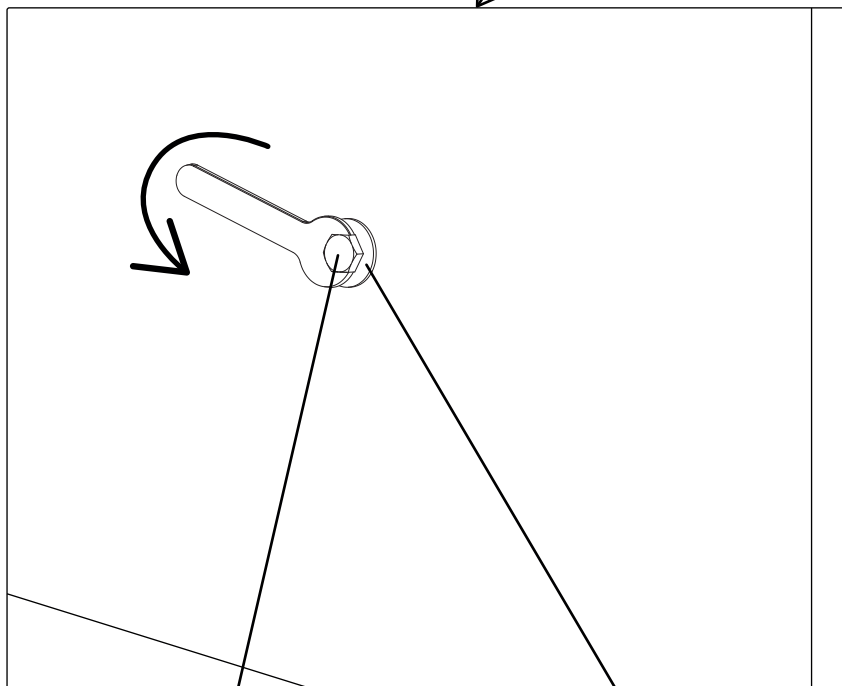
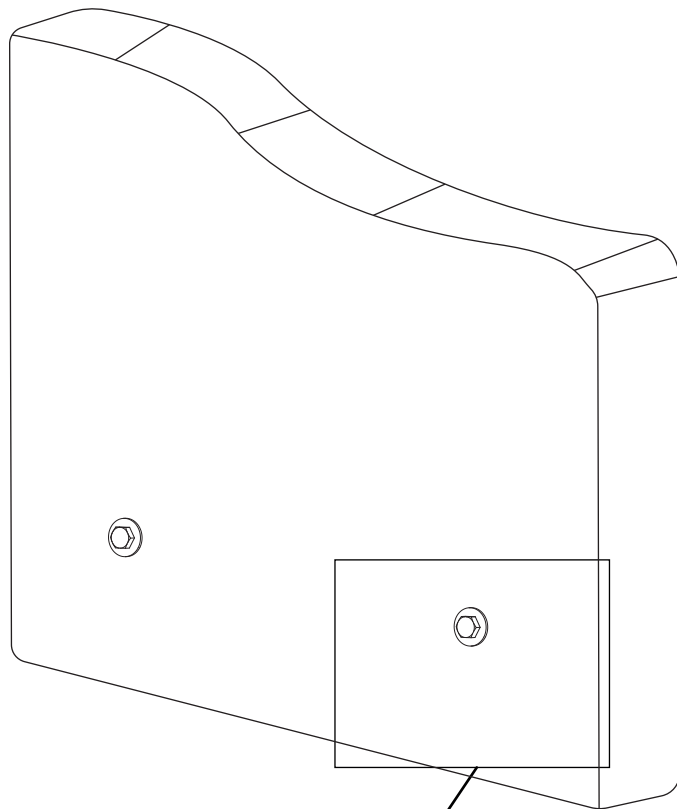
I



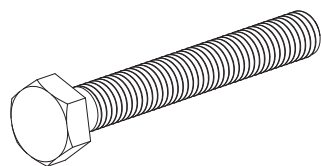
II



1

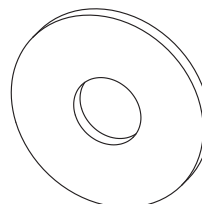


**Dx4**



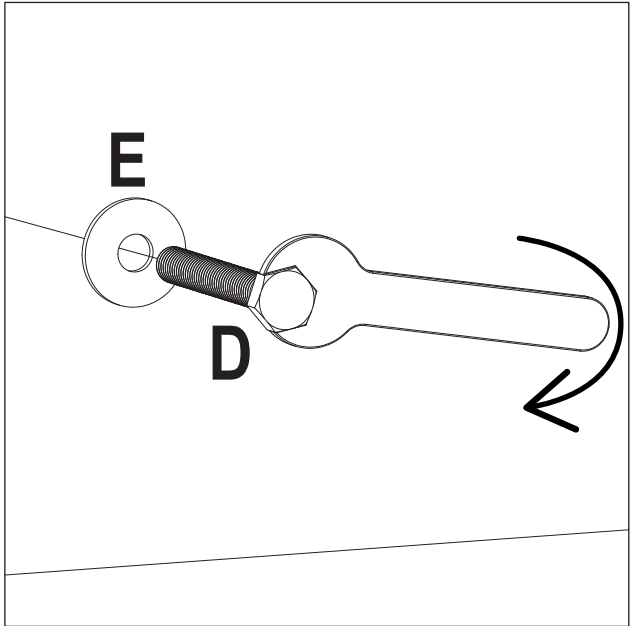
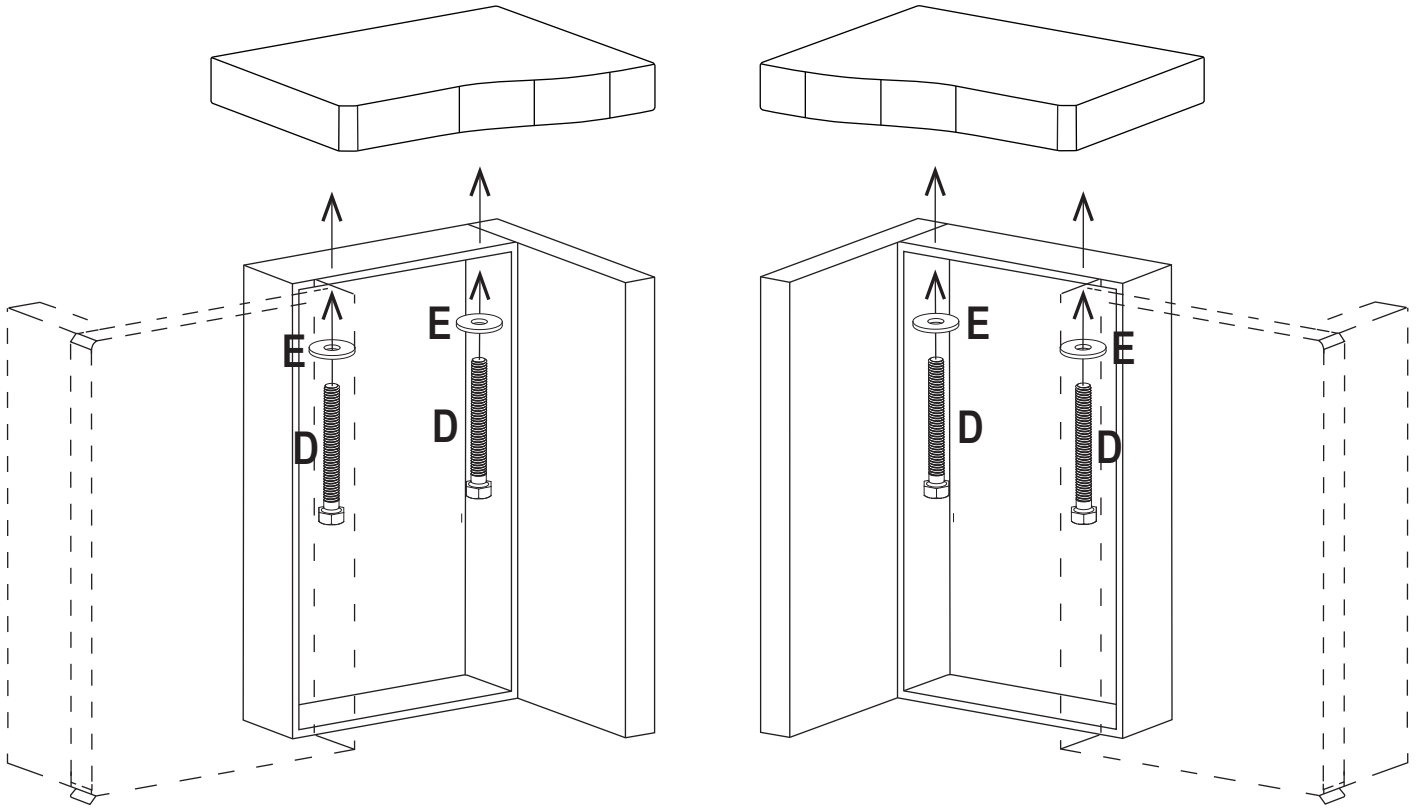
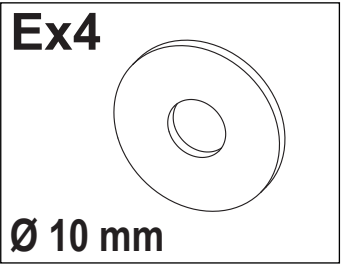
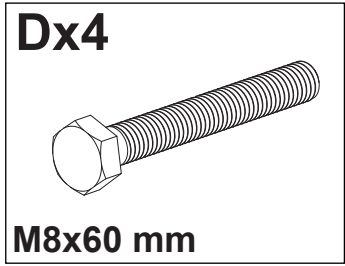
**M8x60 mm**

**Ex4**

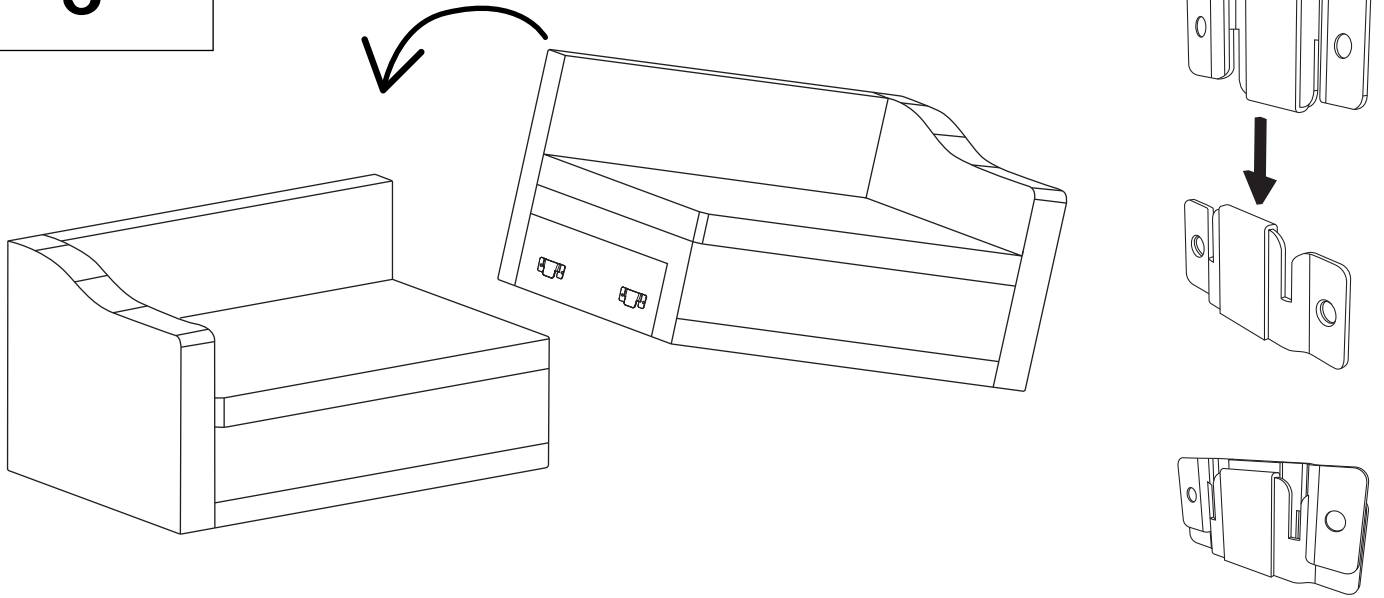


**Ø 10 mm**

2



3



4

