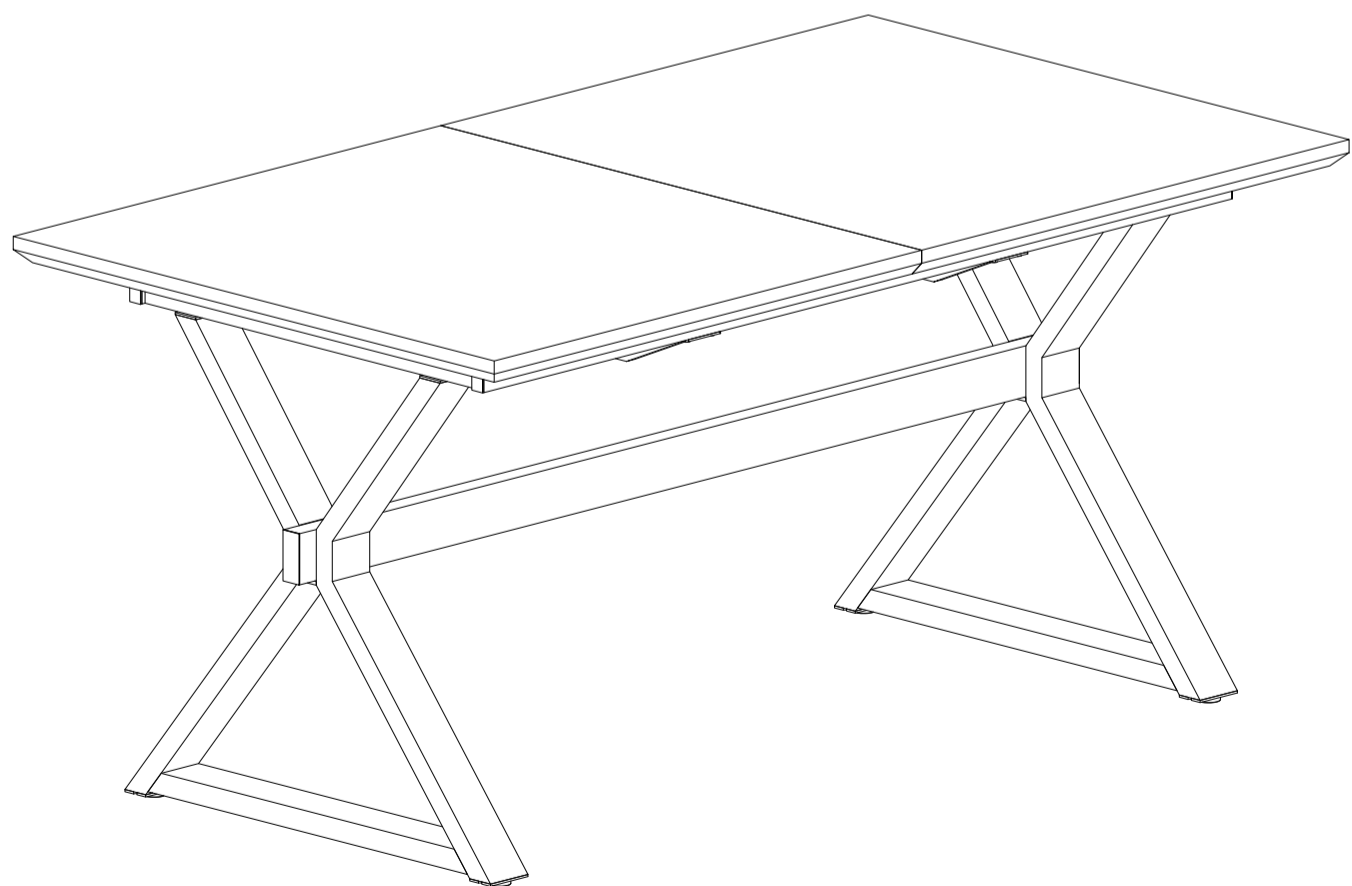
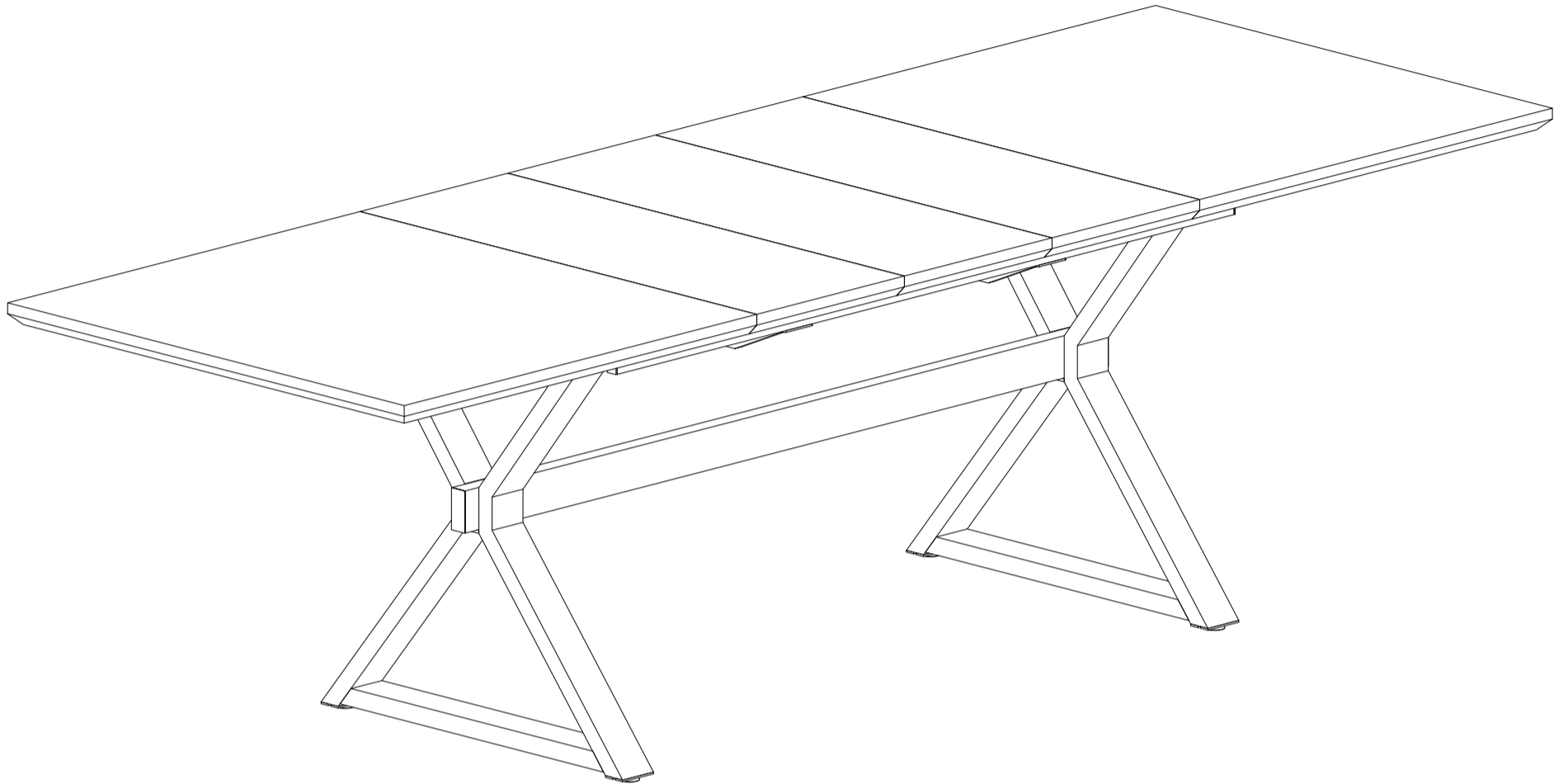
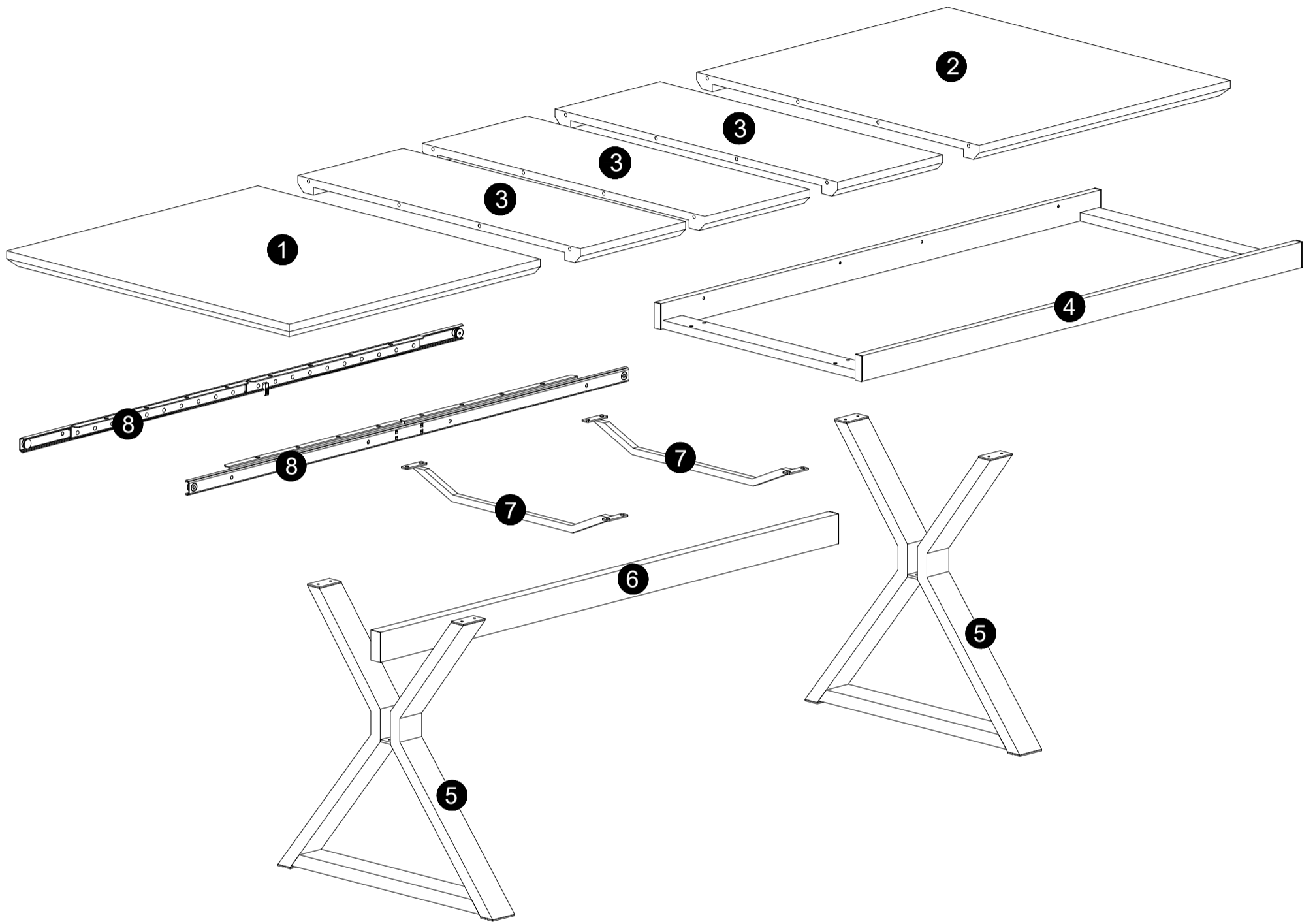
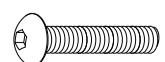

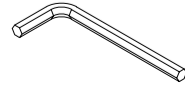
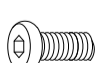
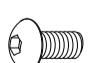
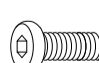
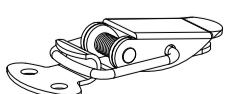




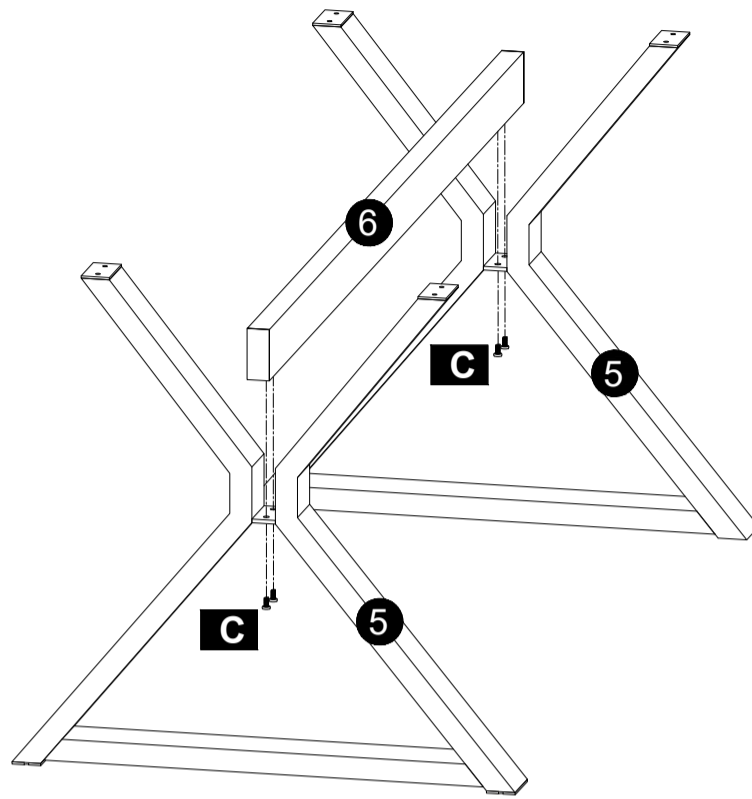
ASSEMBLY INSTRUCTION

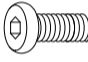




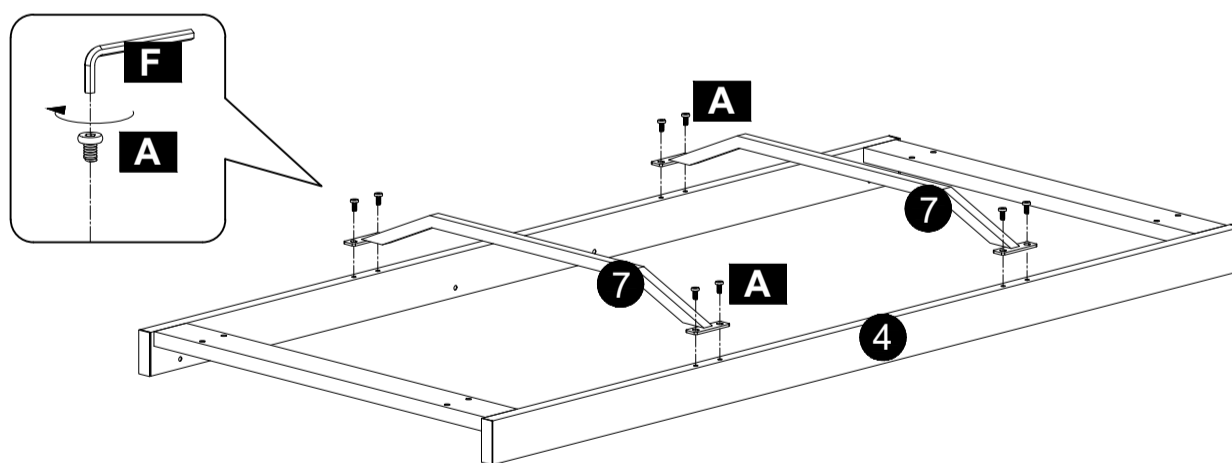
D x 8  M6x30mm	E x 32  Φ4x14mm	F x 2  4mm	A x 16  M6x12mm	B x 16  M6x12mm	C x 4  M6x15mm
			G x 8 	H x 4  Ø30mm	I x 12  Ø30mm

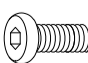
1.



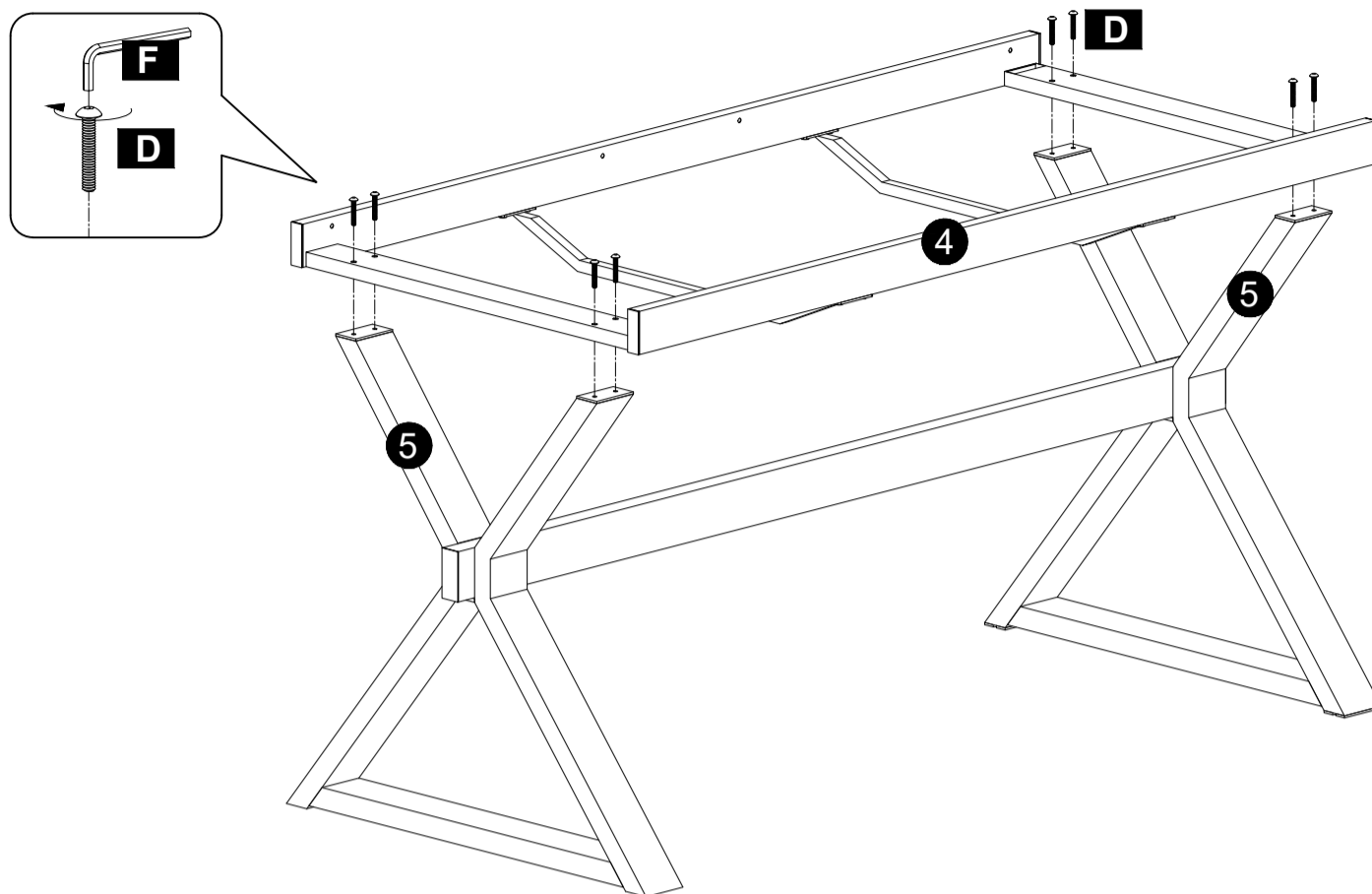
C	x 4
	
M6x15mm	


2.



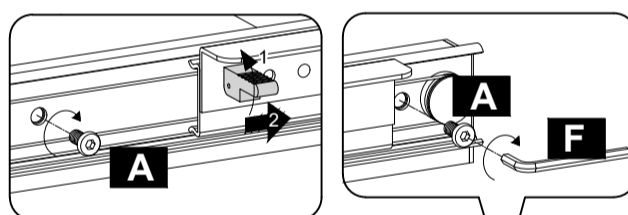
A	x 8
	
M6x12mm	

3.

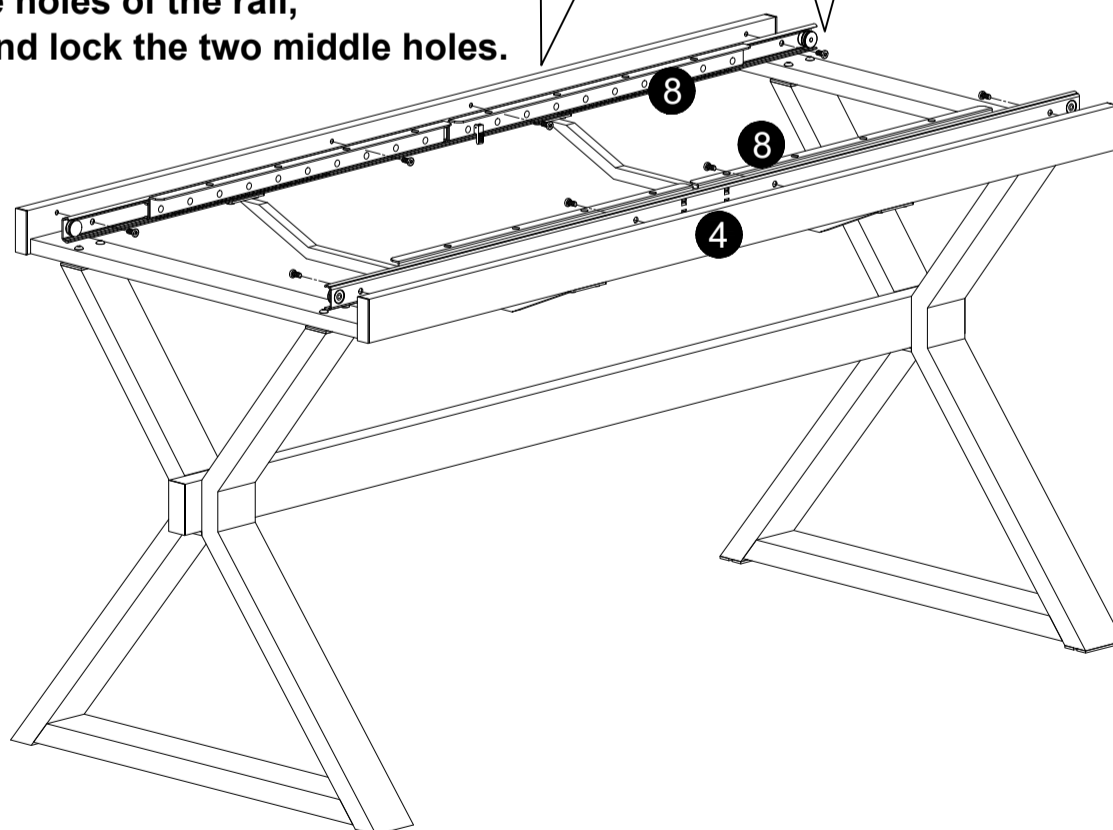


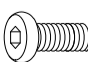
D	x 8
	
M6x30mm	

4.

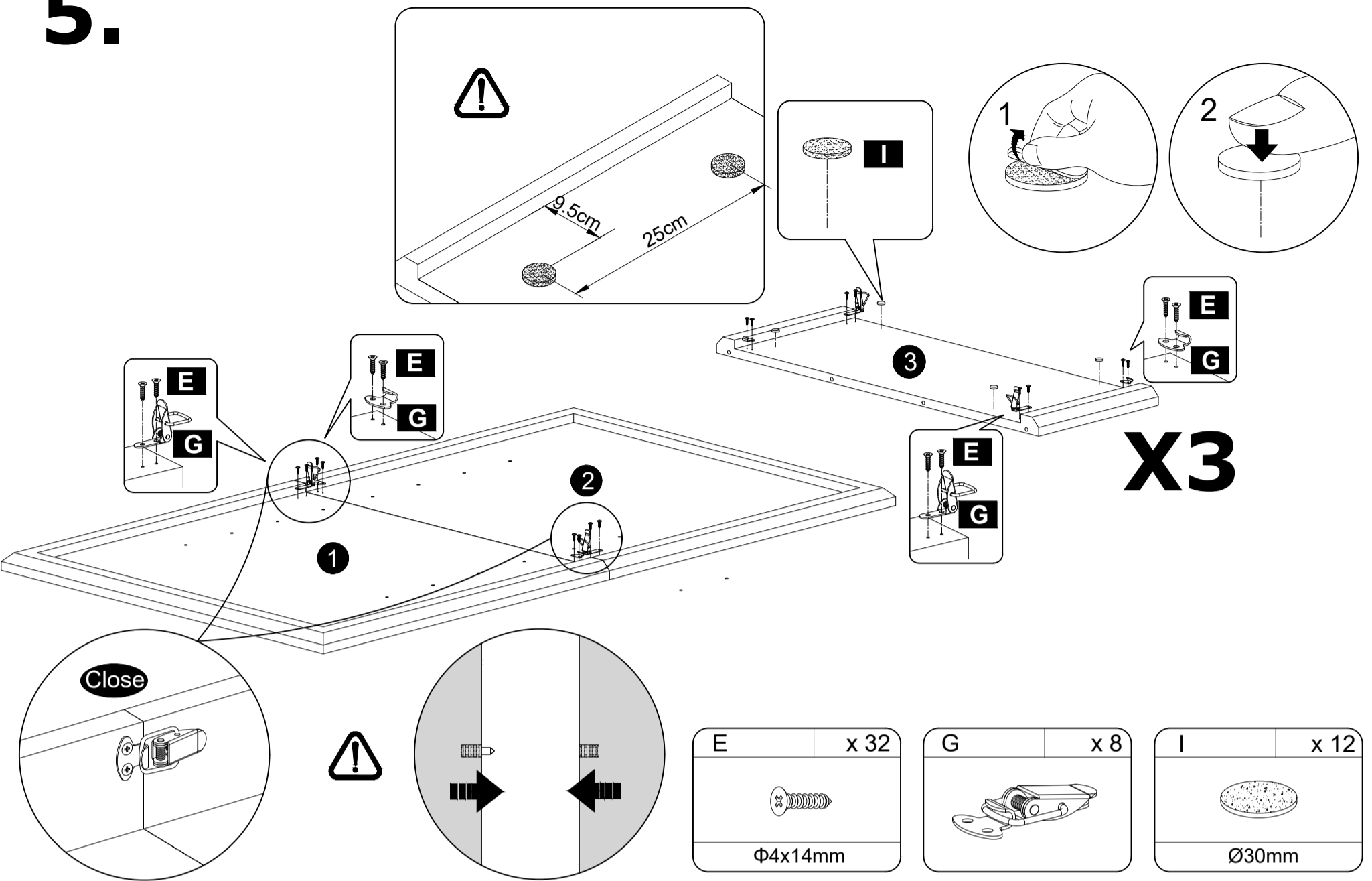


First, secure the two side holes of the rail, then slide open the rail and lock the two middle holes.

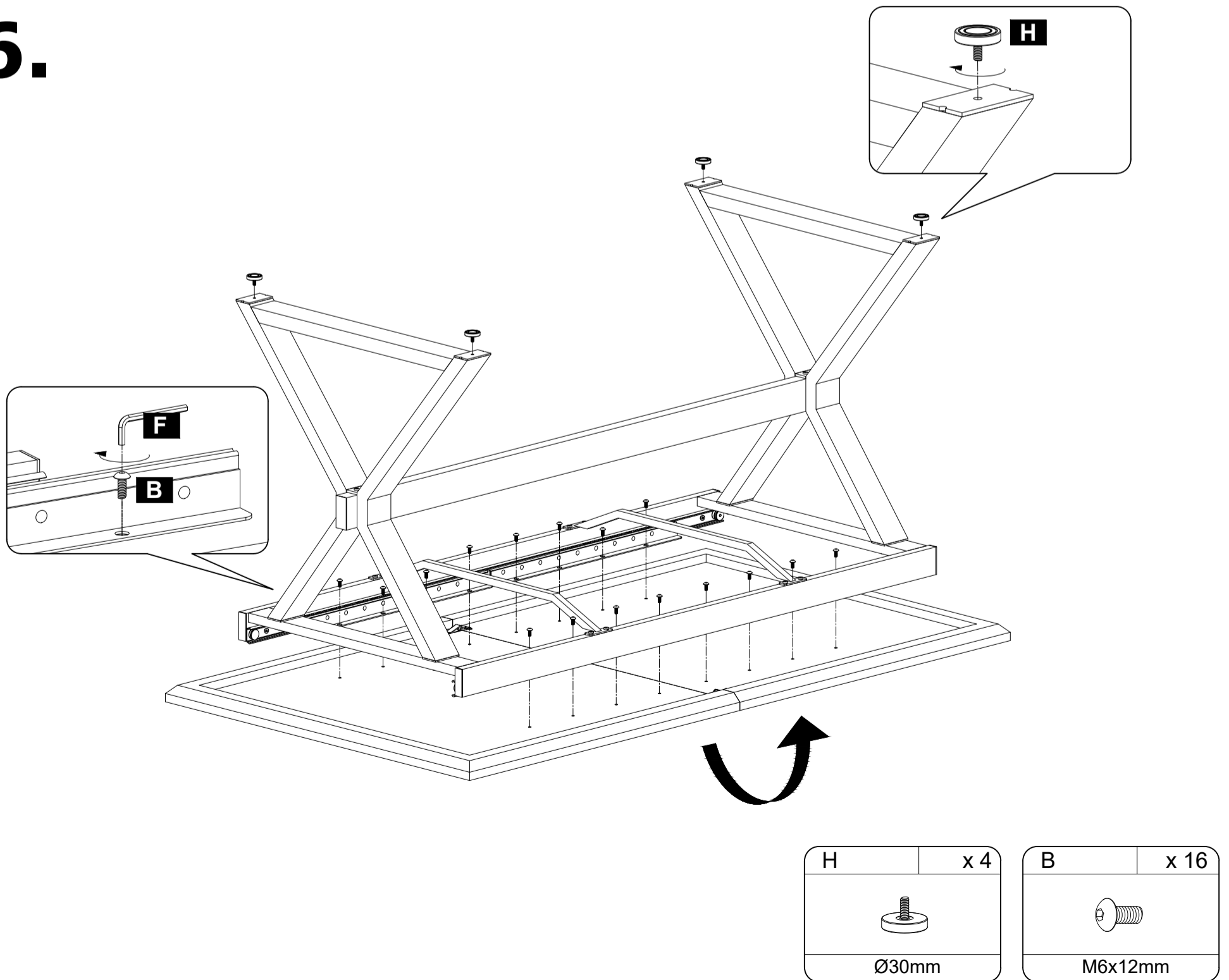


A	x 8
	
M6x12mm	

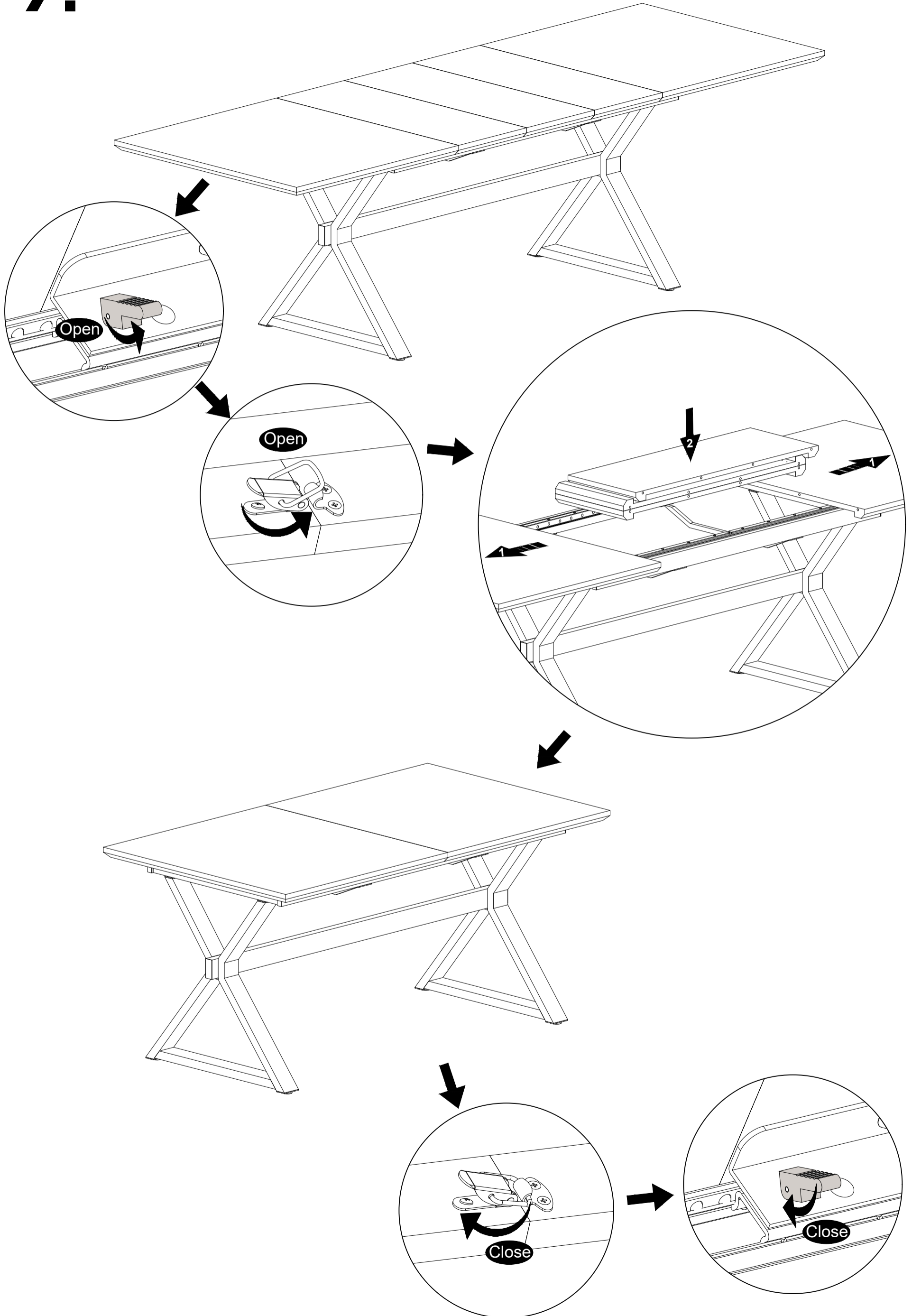
5.



6.



7.



8.

