

SOJAG

produits saisonniers • seasonal products

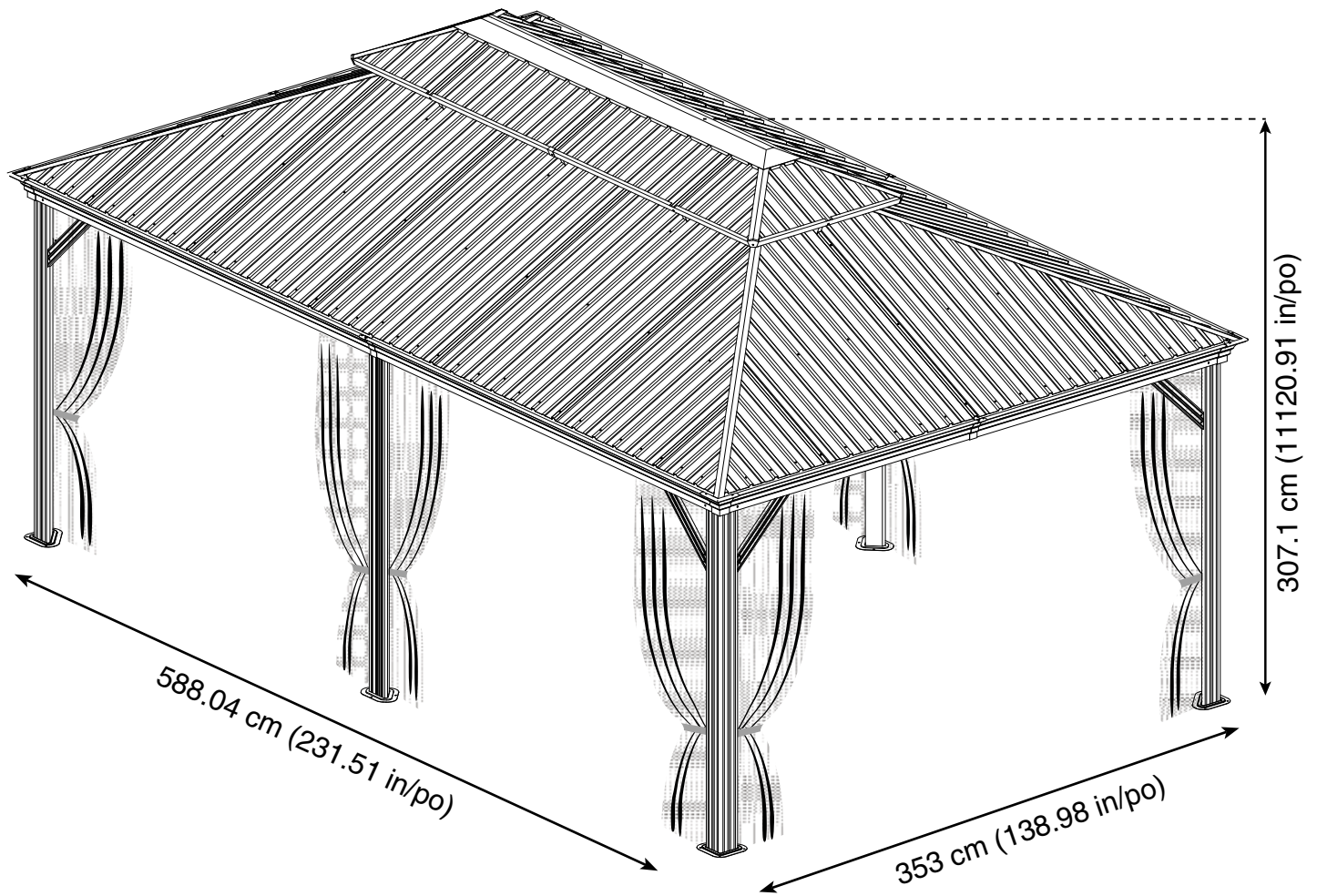


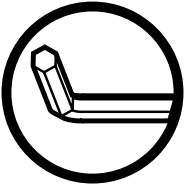
Sojag code: 500-6160222

CUP/UPC code: 772830160024

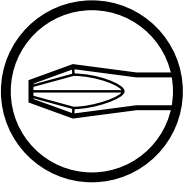
QUESTIONS? 1 855 659-4402

Assembly Manual / Guide d'assemblage / Manual de ensamblaje / 조립 설명서 / Montageanleitung

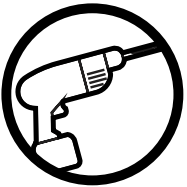




Use the hex keys in the box. / Utilisez les clés hexagonales fournies dans la boîte. / Utilice las llaves hexagonales en la caja. / 상자에 육각 키를 사용 하십시오. / Verwenden Sie die Sechskantschlüssel in der Box.



Please use a phillips screwdriver / Utilisez un tournevis de type Phillips / Por favor, use un destornillador Phillips / 십자 드라이버를 사용 하십시오. / Bitte verwenden Sie einen Kreuzschraubenzieher.



you may need to use a drill for this step. / vous pouvez avoir besoin d'utiliser une perceuse pour cette étape. / puede que tenga que utilizar un taladro para este paso. / 이 단계에선 드릴을 사용해야 할 수도 있습니다. / Für diesen Schritt können Sie einen Bohrer verwenden.



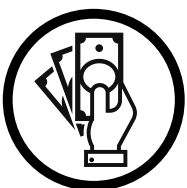
It is recommended to wear protective gloves / Le port de gants de protection est recommandé / El uso de guantes de protección se recomienda / 보호 장갑을 착용 하는 것이 좋습니다. / Das Tragen von Schutzhandschuhen wird empfohlen.



Two or more people are required at this stage. / Deux personnes ou plus sont nécessaires à cette étape. / Dos o más personas se requieren en esta etapa. / 이 단계에서는 두 명 이상이 필요합니다. / Für diesen Bauschritt sind 2 oder mehr Personen erforderlich.

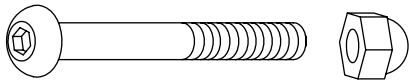


Do not screw firmly for now. / Ne pas visser fermement pour l'instant. / No atornille con firmeza por ahora. / 아직 나사를 단단히 조이지 마십시오. / Bitte die Schrauben zum jetzigen Zeitpunkt noch nicht fest anziehen.

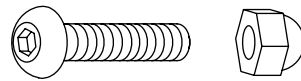


Sold in options / Vendus en options / vendido en las opciones / 옵션 판매 / Optional erhältlich

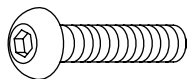
S X 26 (+2)



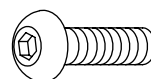
T X 96 (+9)



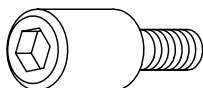
U X 29 (+3)



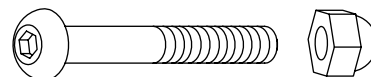
V X 302 (+10)



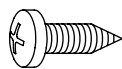
X X 16 (+2)



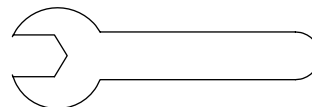
X1 X 10 (+2)



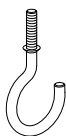
Y X 24 (+4)



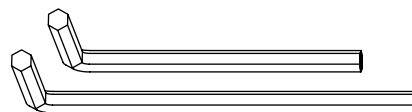
W2 X 1

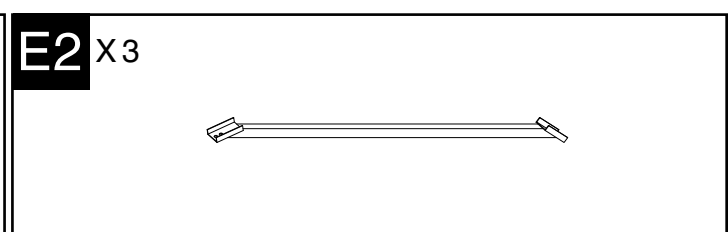
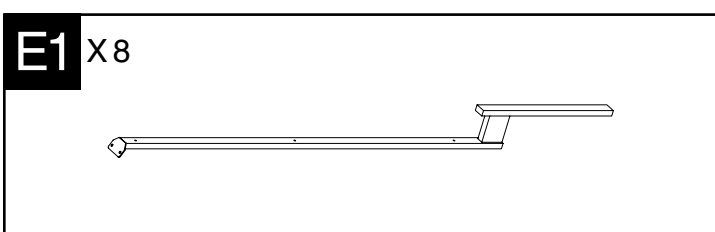
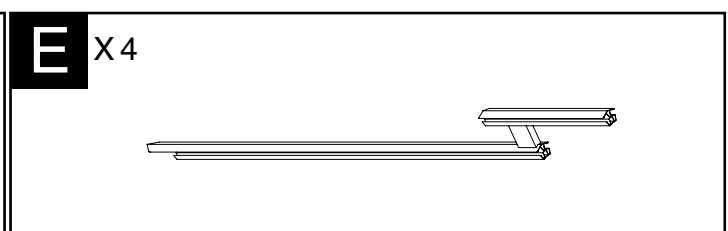
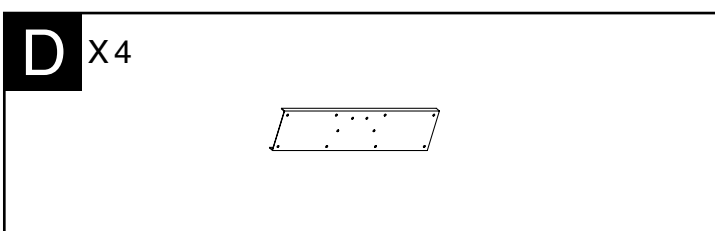
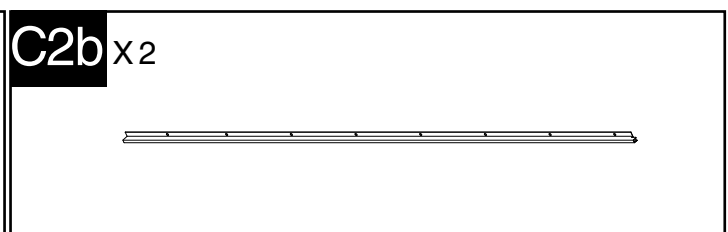
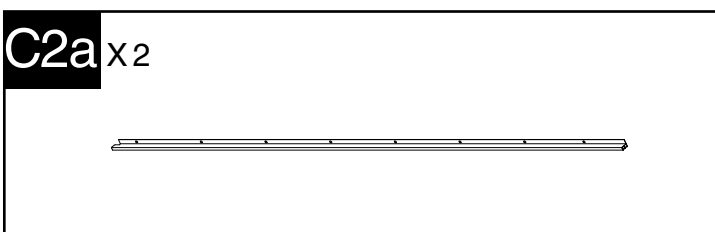
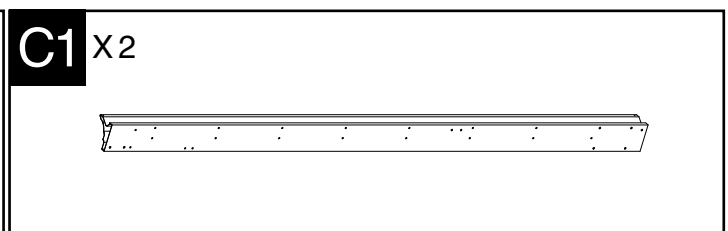
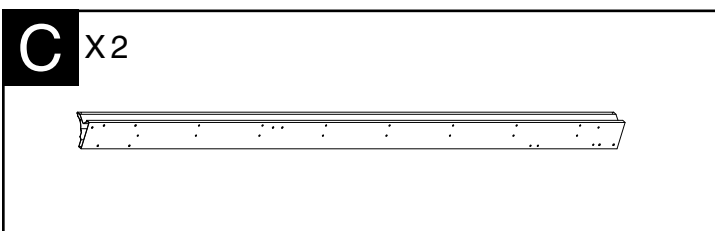
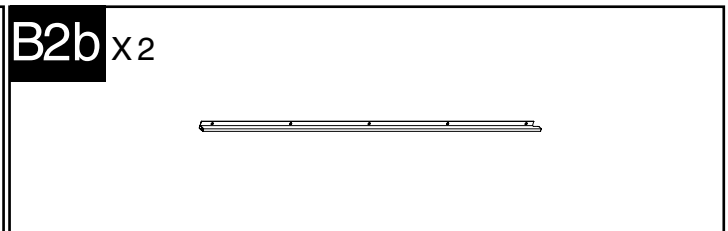
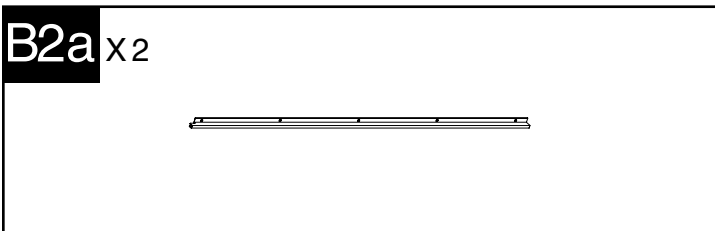
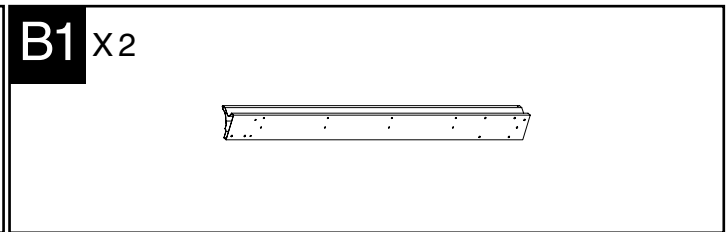
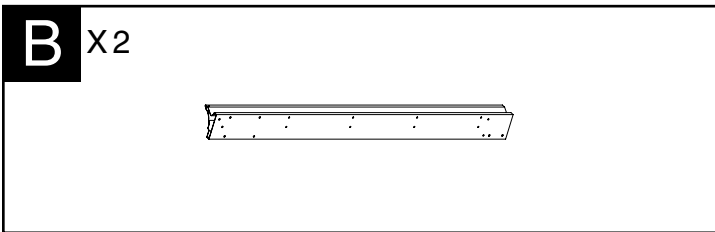
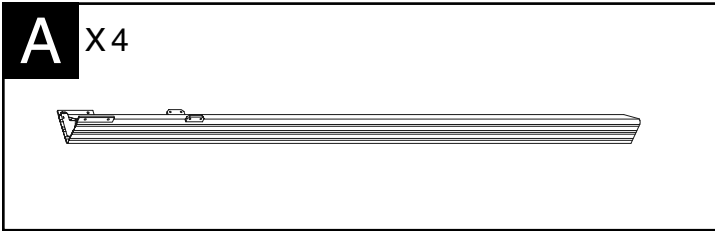


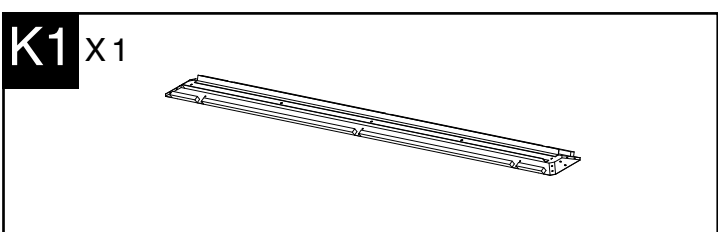
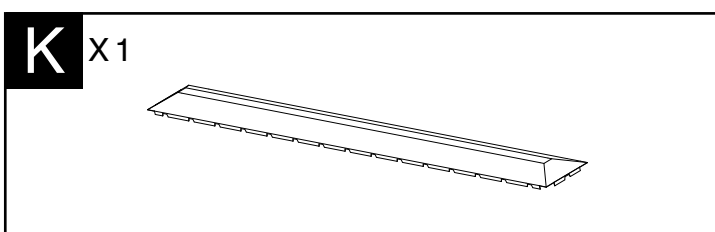
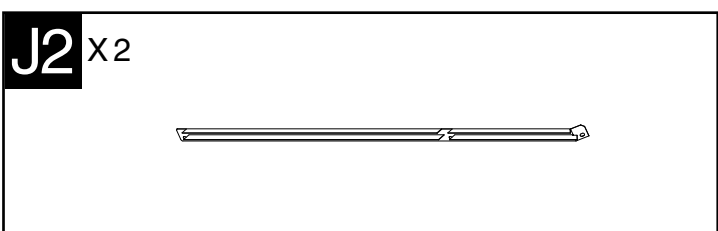
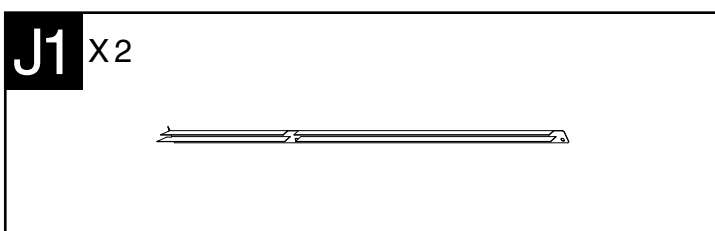
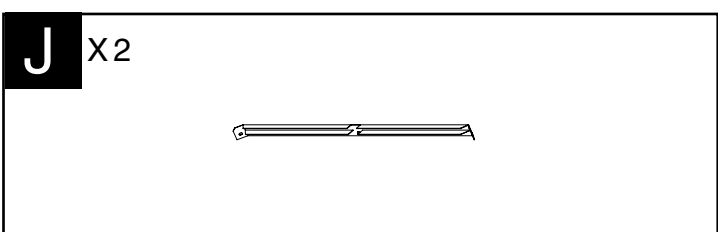
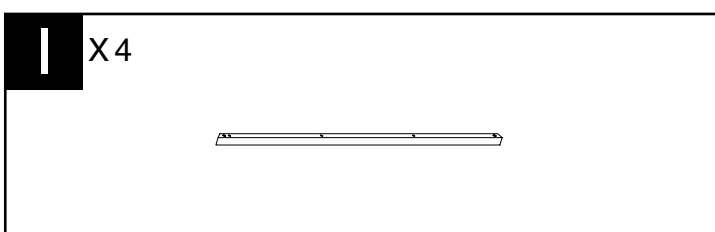
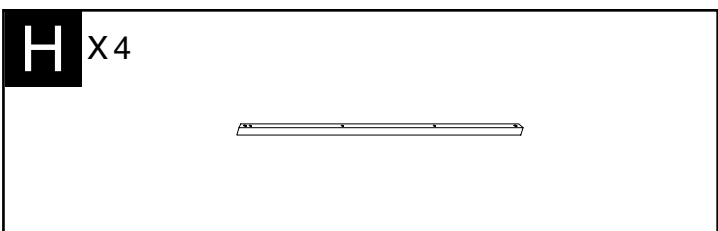
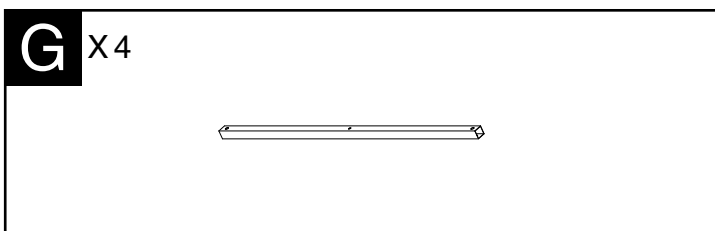
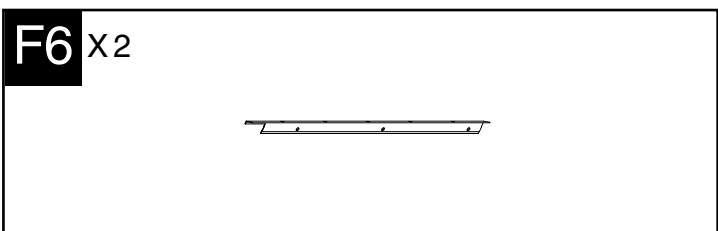
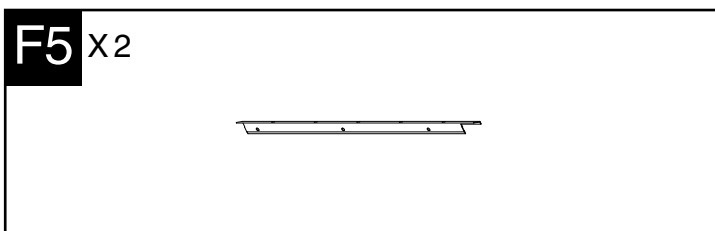
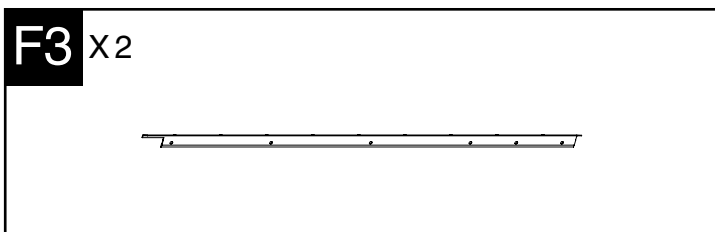
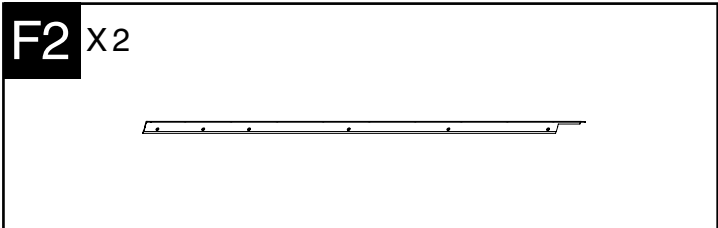
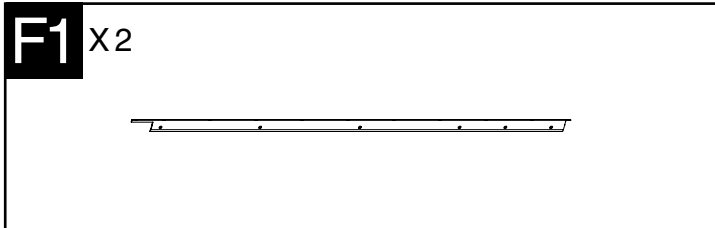
Wa X 3



Z X 1







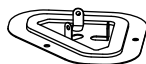
L1 X4



L2 X4



M X2



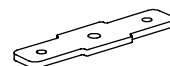
M1 X4



M2 X8



M3 X8



M4 X4



M5 X140



R1 X2



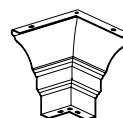
R2 X2



R3 X2



W X4



W1 X4



W3 X2

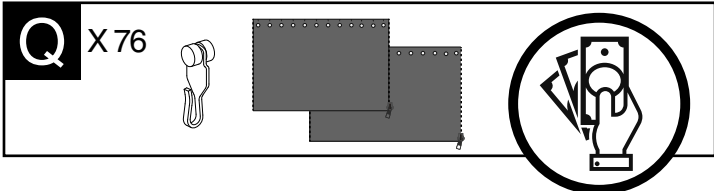
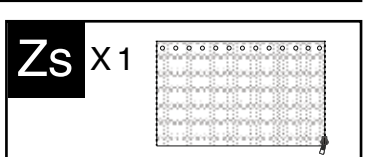
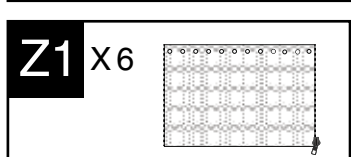
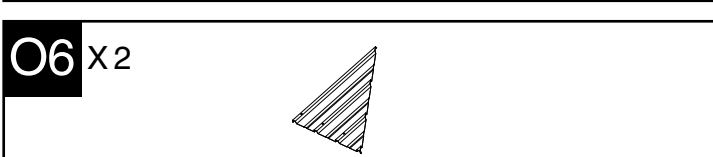
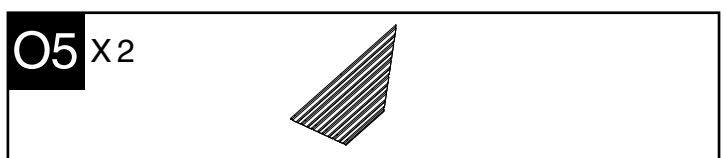
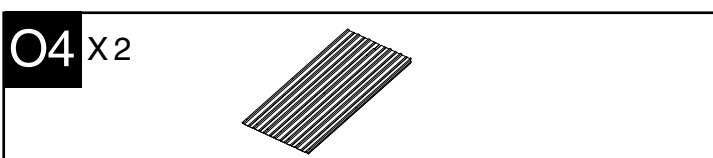
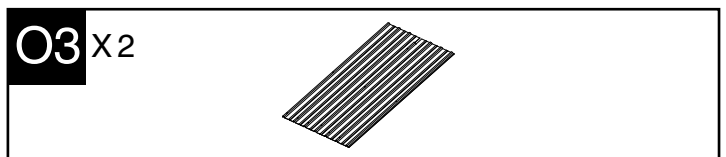
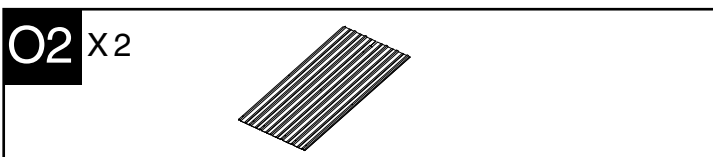
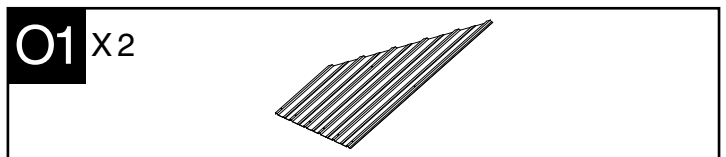
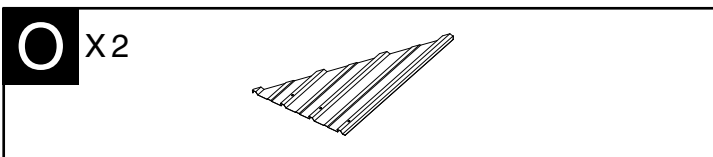
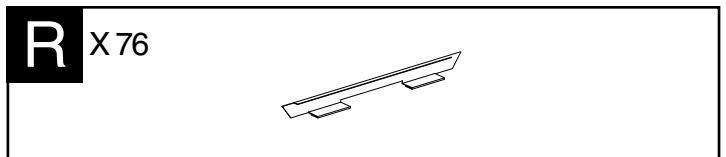
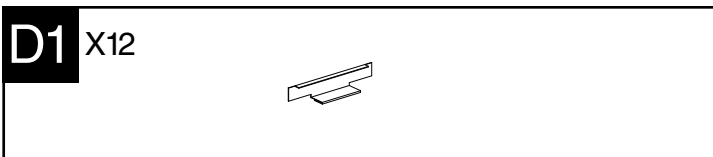
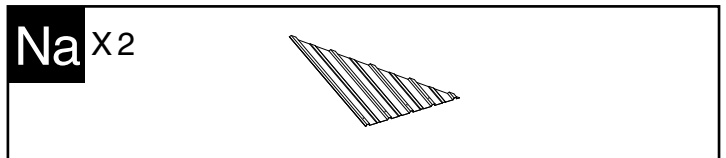
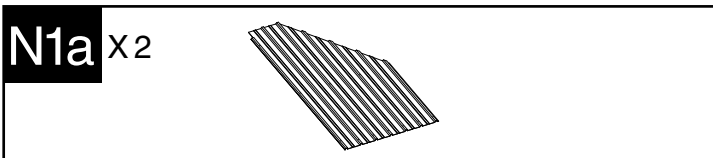
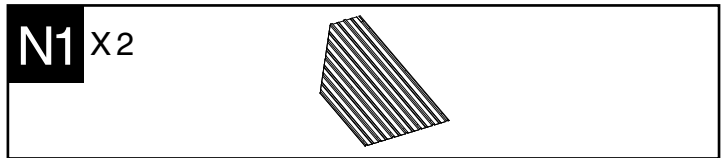
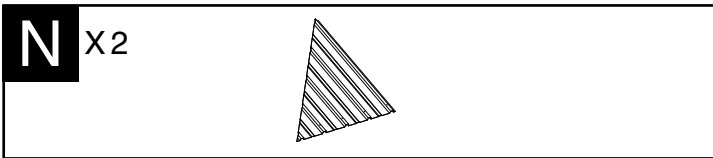
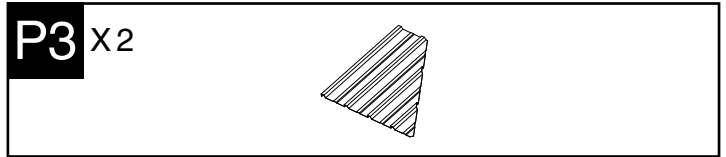
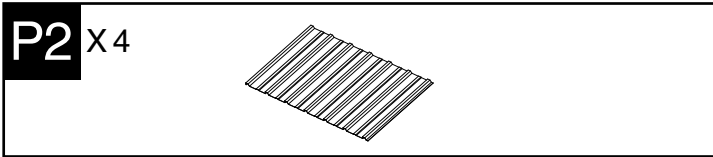
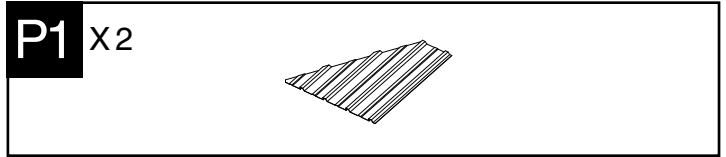
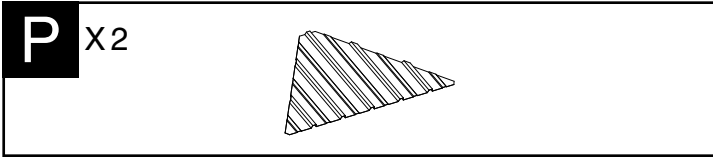


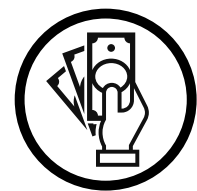
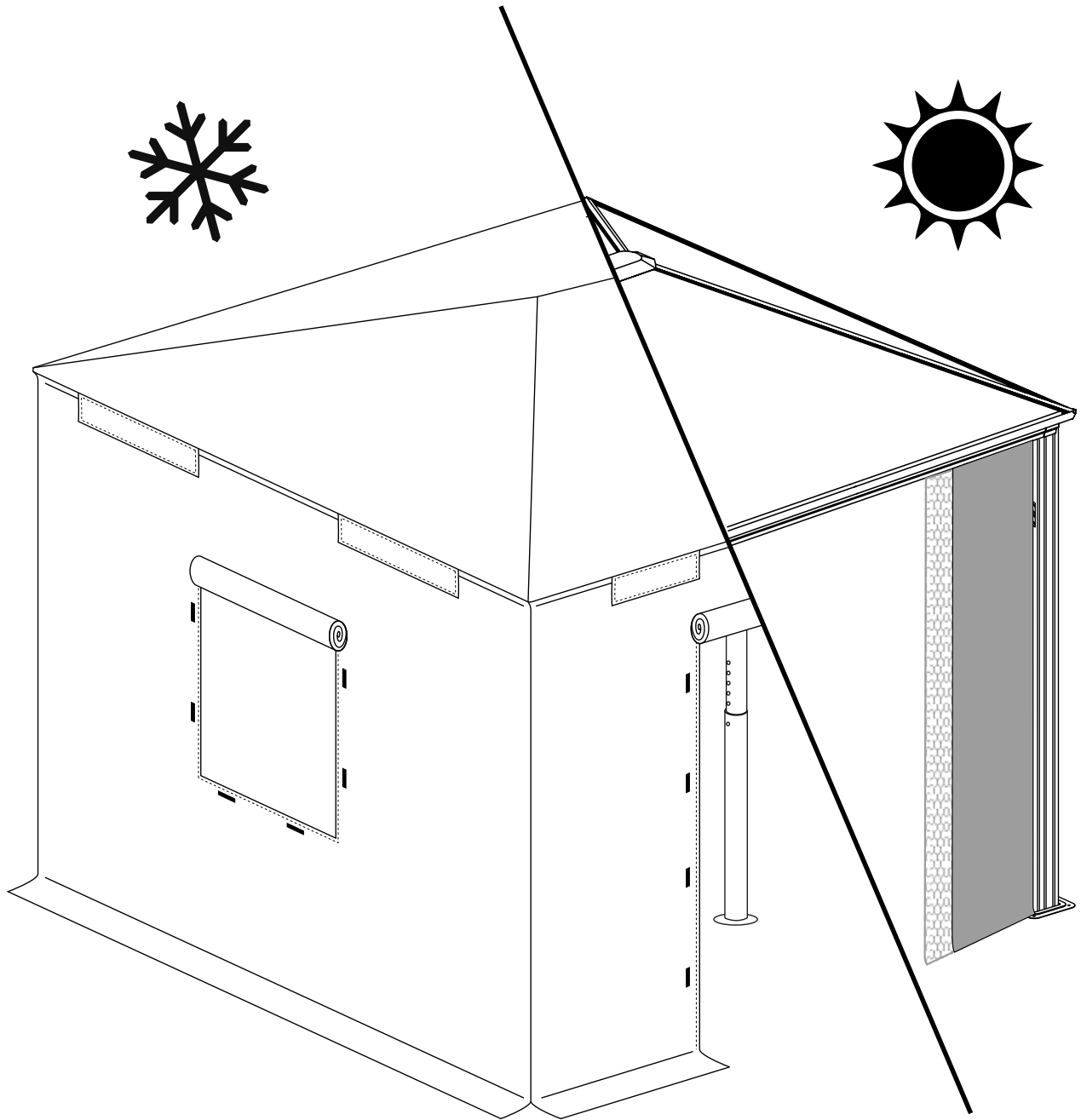
Q1 X8

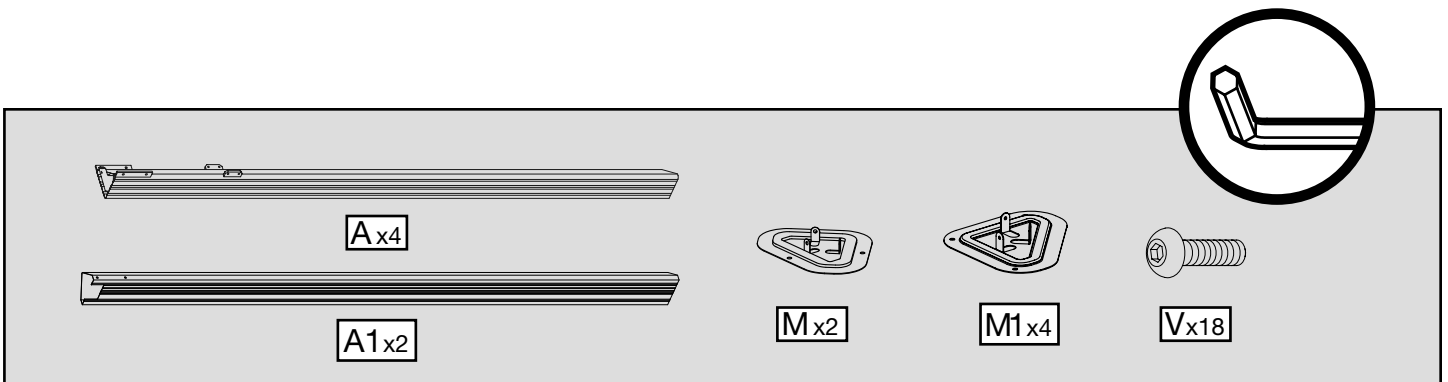
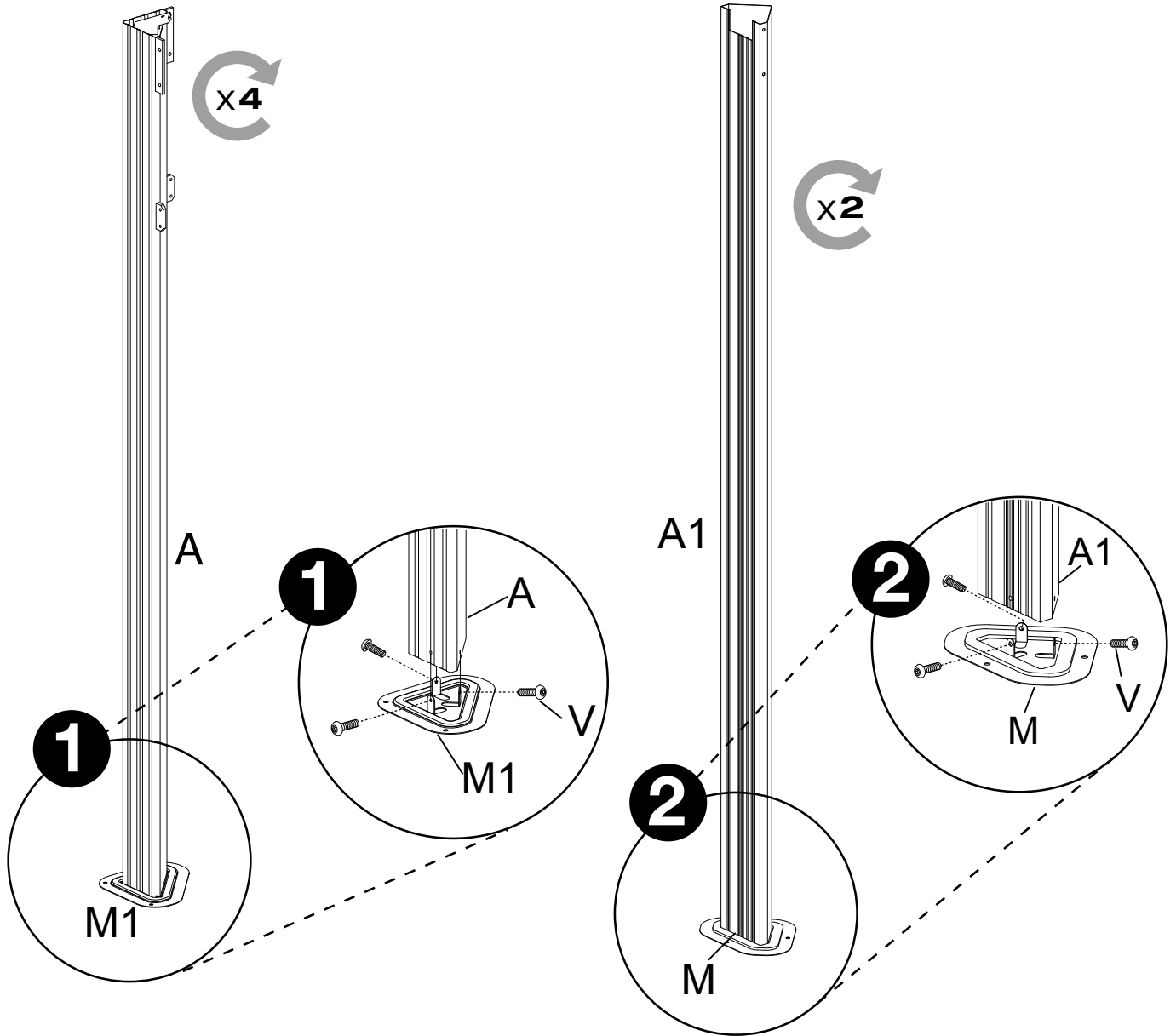


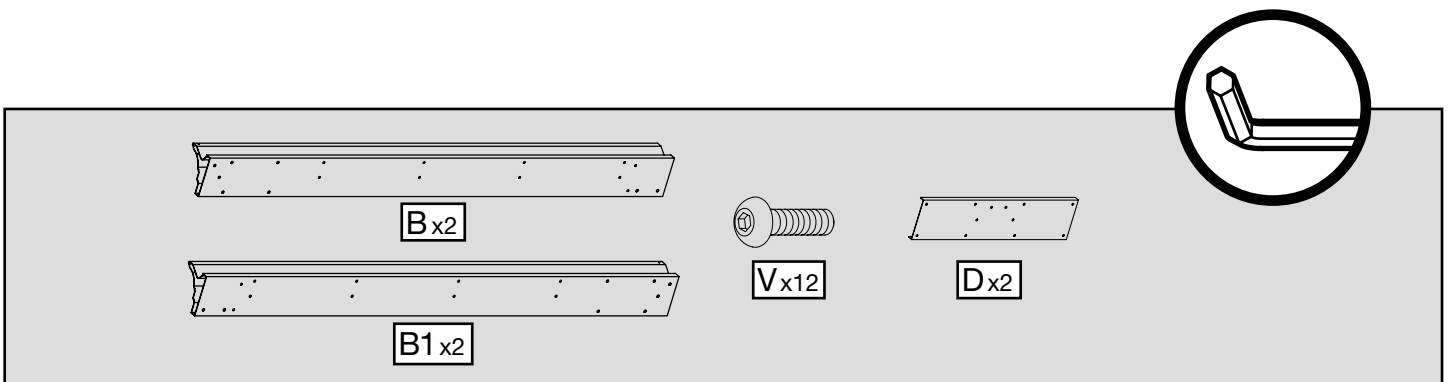
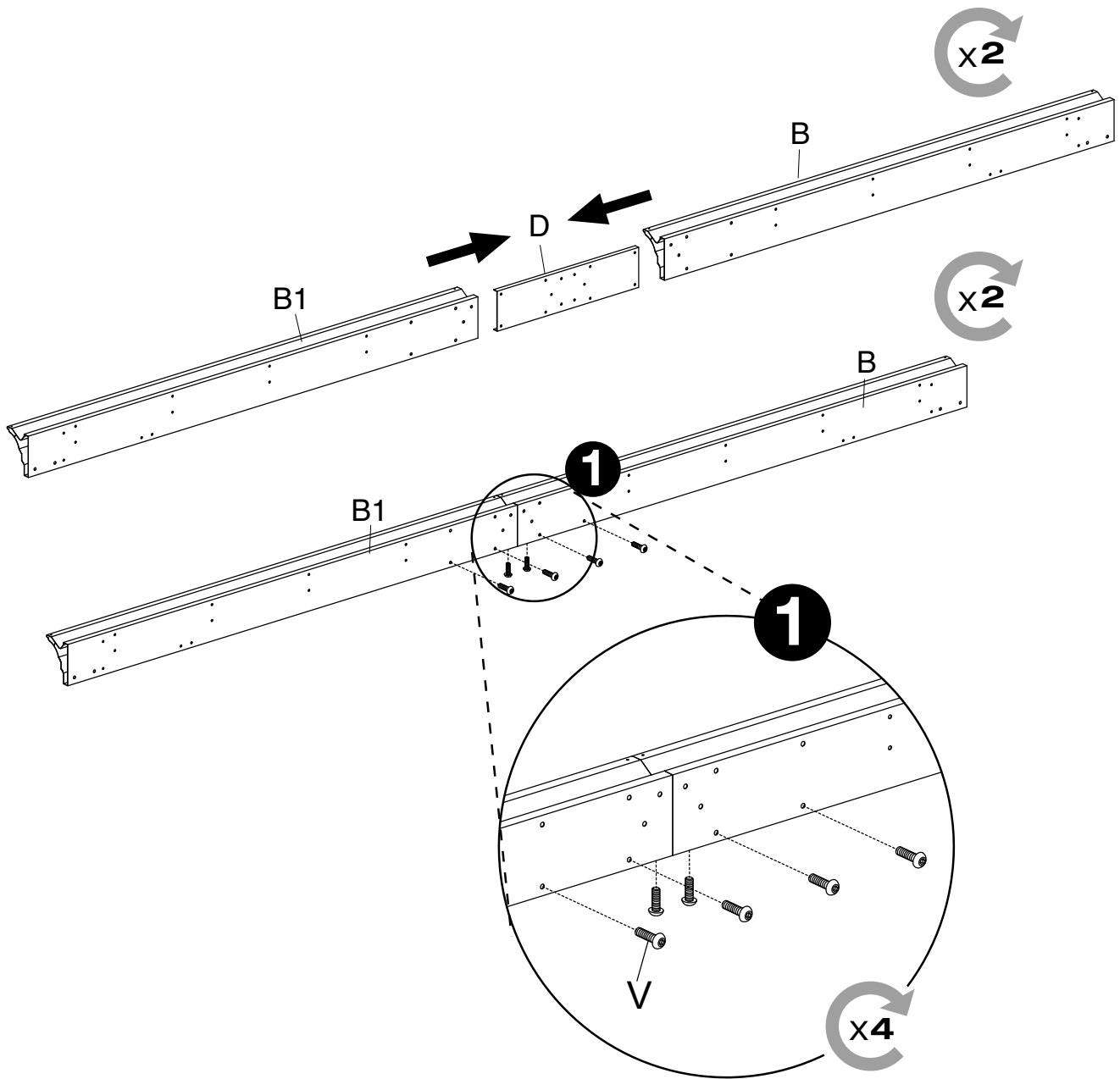
Q X76

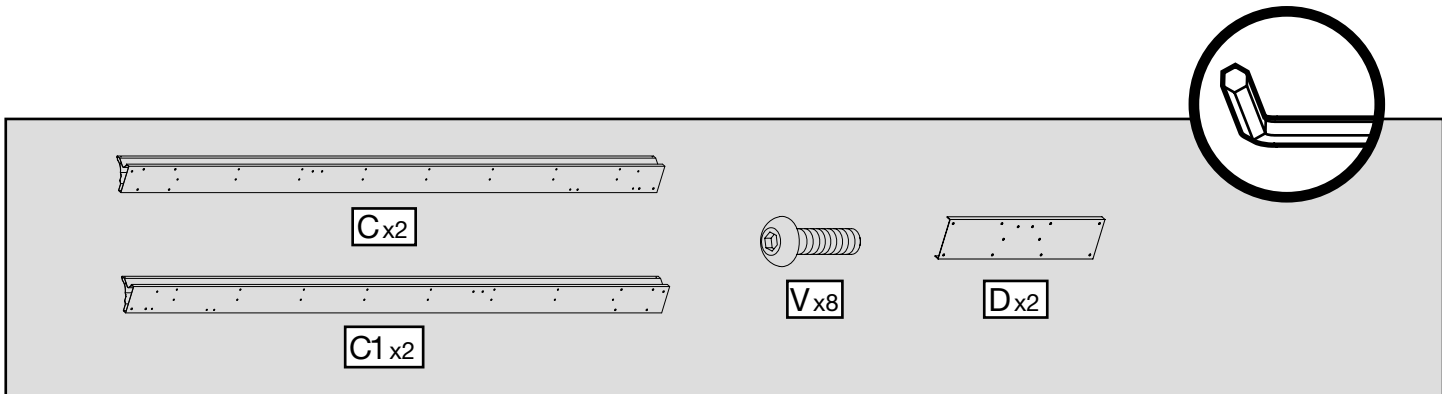
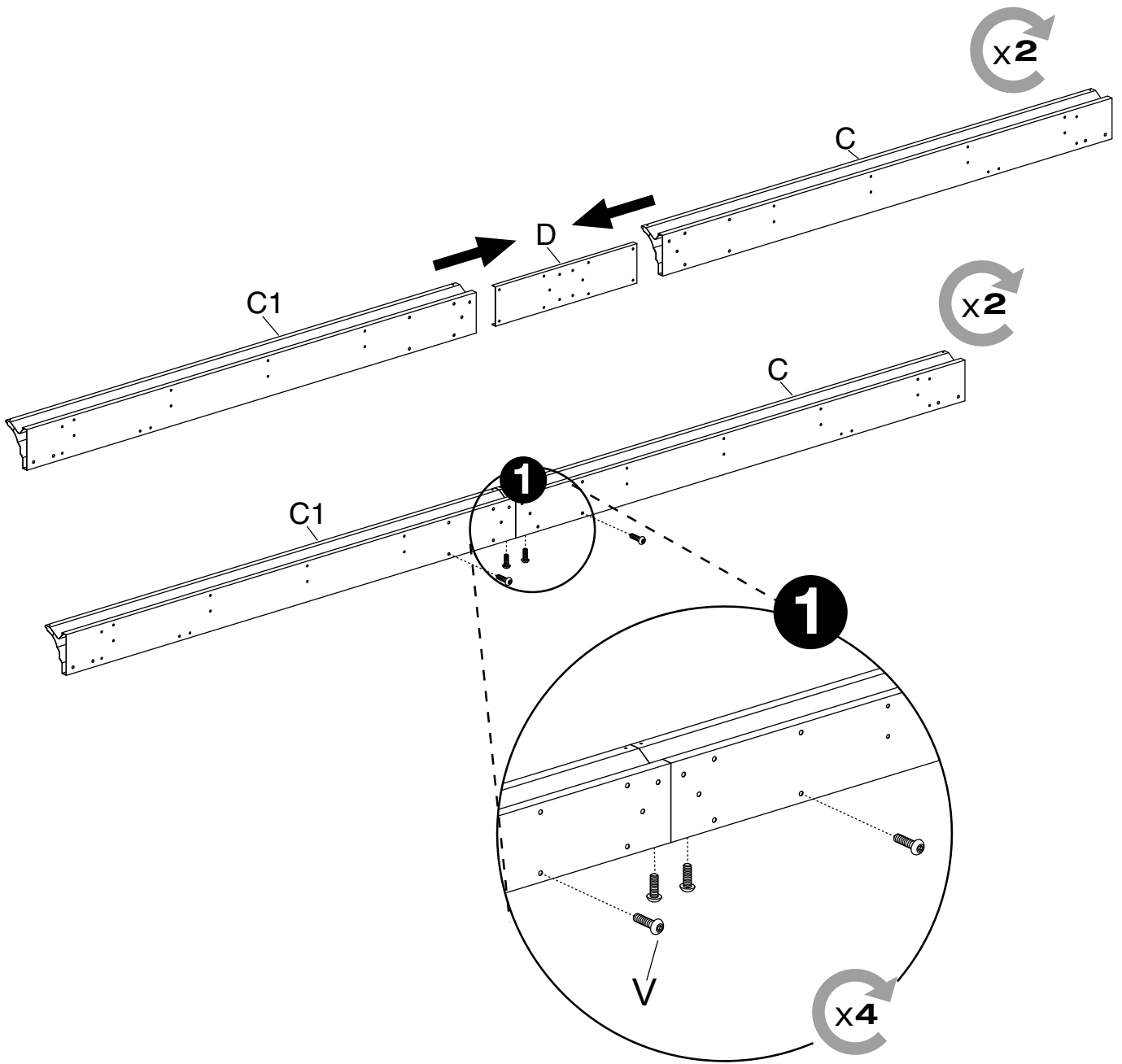


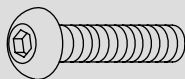
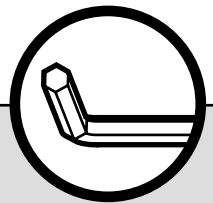
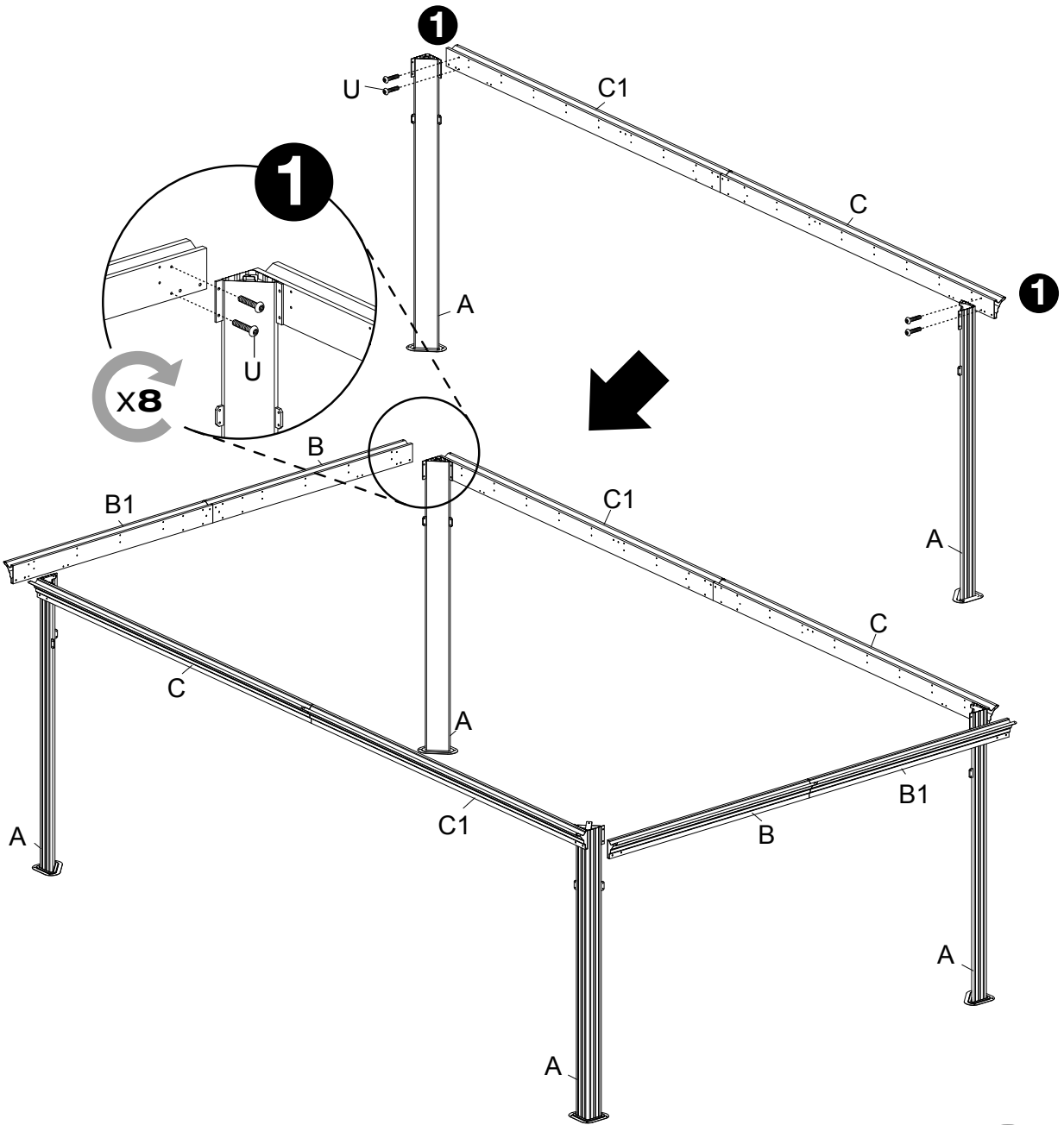




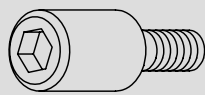
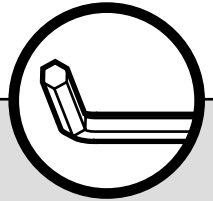
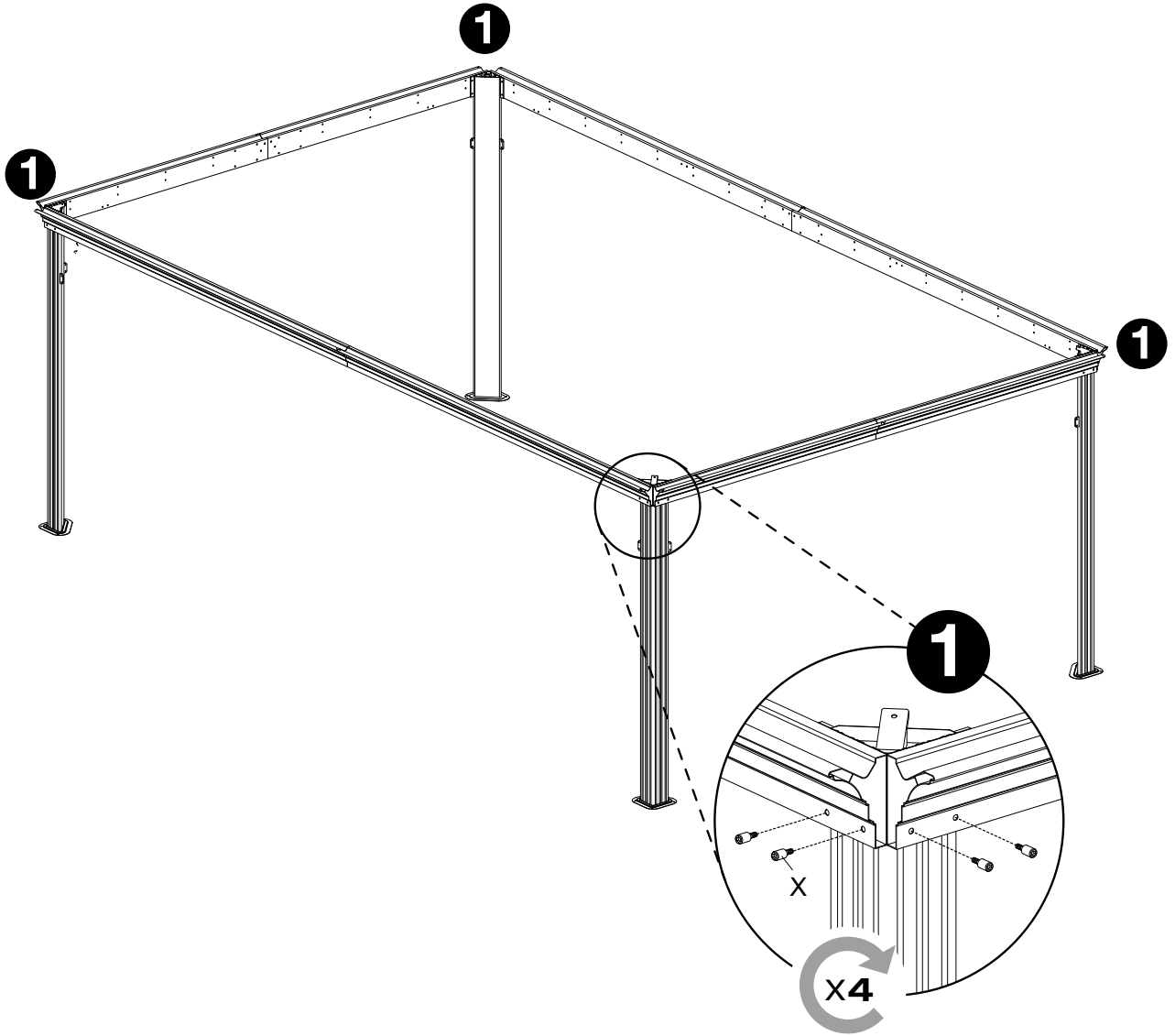




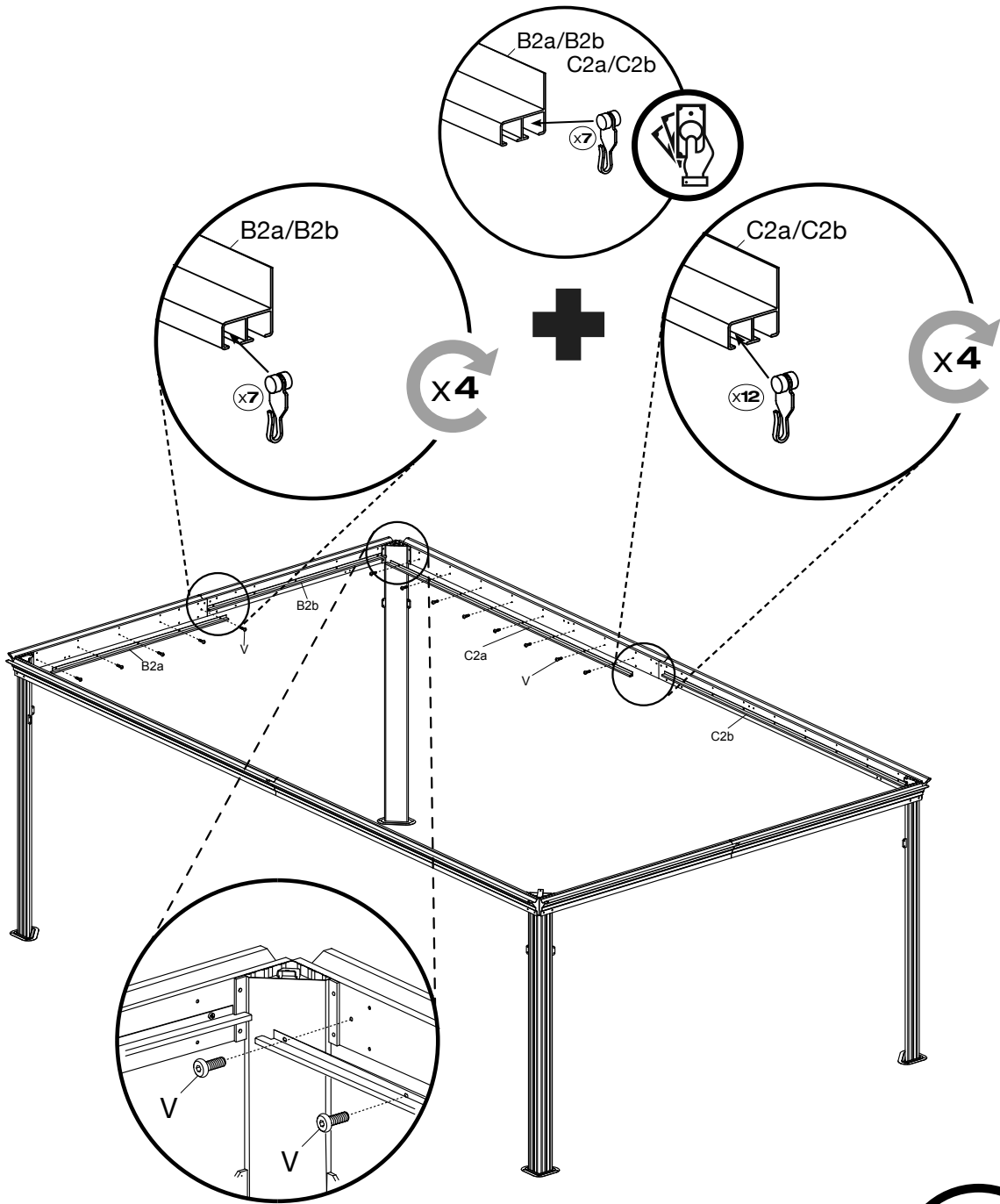




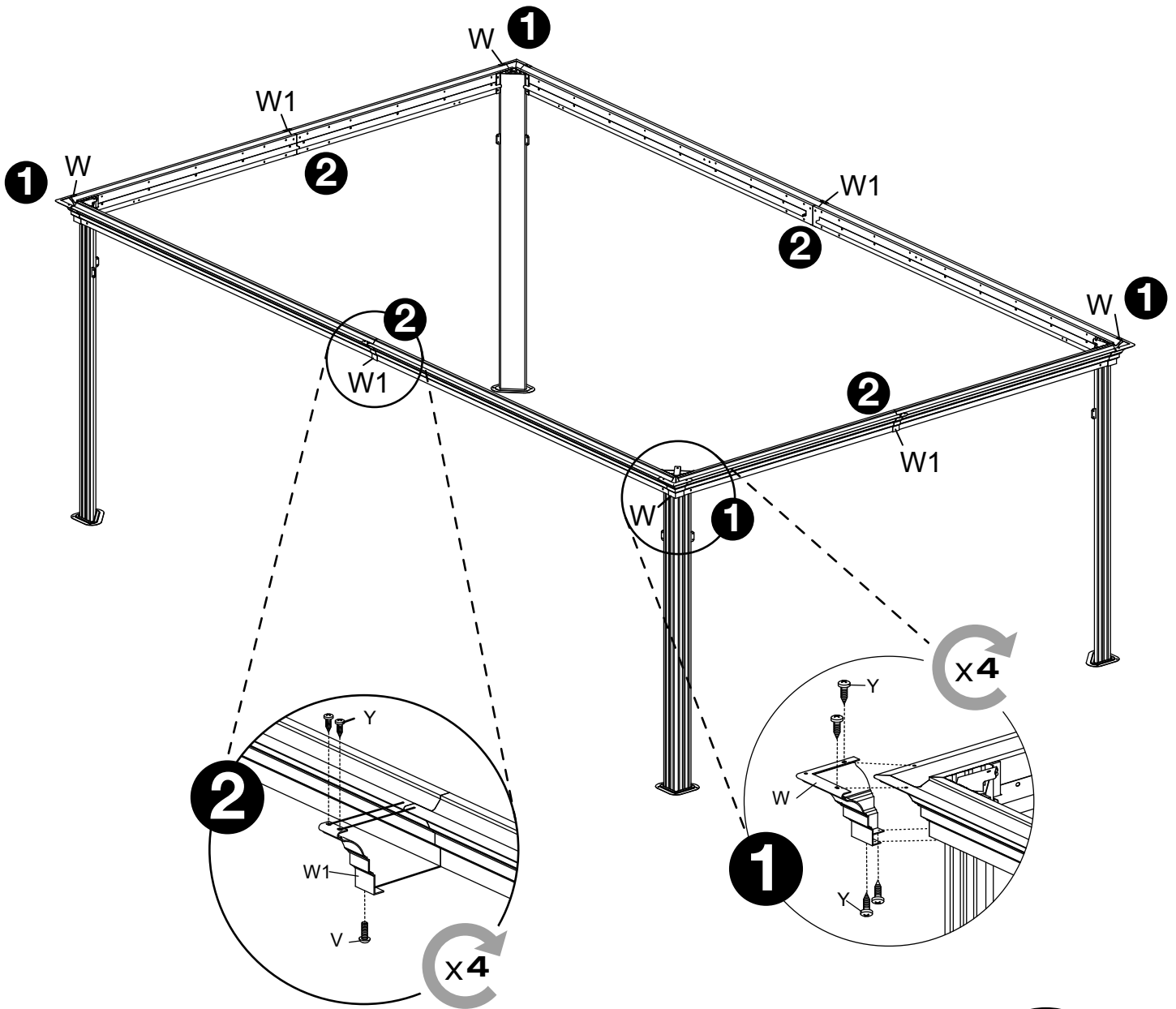
Ux16



Xx16



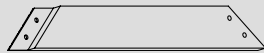
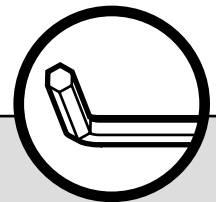
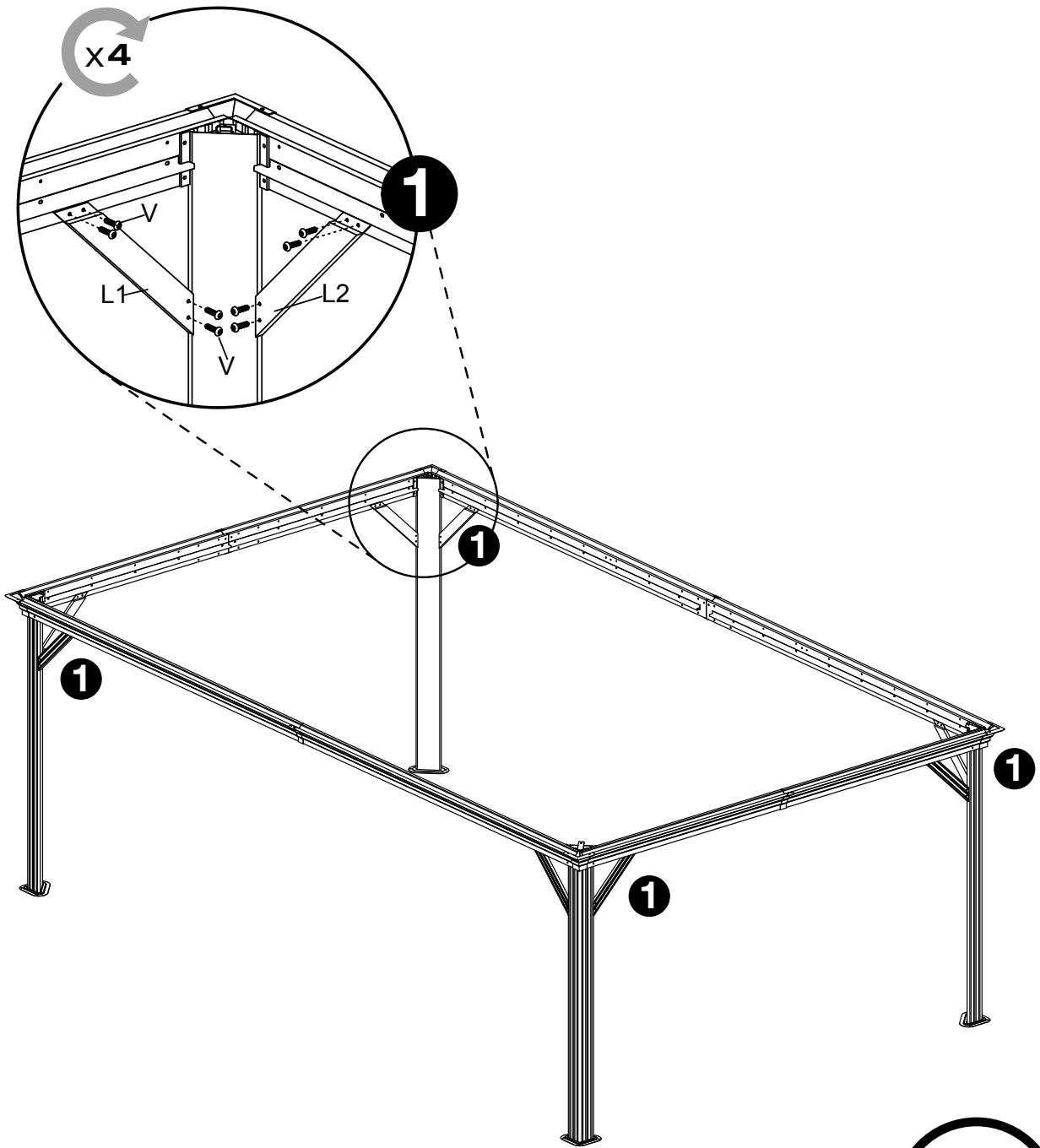
A parts list diagram showing the components required for this step:
- Two long horizontal bars labeled B2ax2.
- Two shorter horizontal bars labeled B2bx2.
- Two long horizontal bars labeled C2ax2.
- Two shorter horizontal bars labeled C2bx2.
- A screw labeled Qx76.
- A screw labeled Vx52.
- A corner bracket shown in a circular inset.



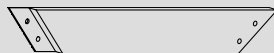
This section contains a parts list and tool icons. The parts list includes:

- W_{x4}**: A corner bracket.
- W1_{x4}**: A side rail.
- V_{x4}**: A screw.
- Y_{x24}**: A screw.

Two circular icons show a flathead screwdriver and a hex key (Allen key).



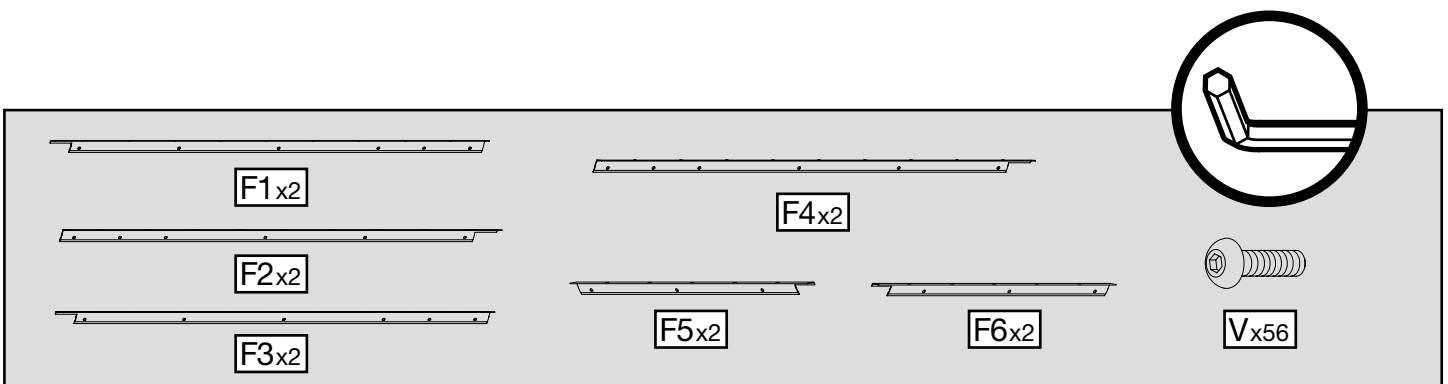
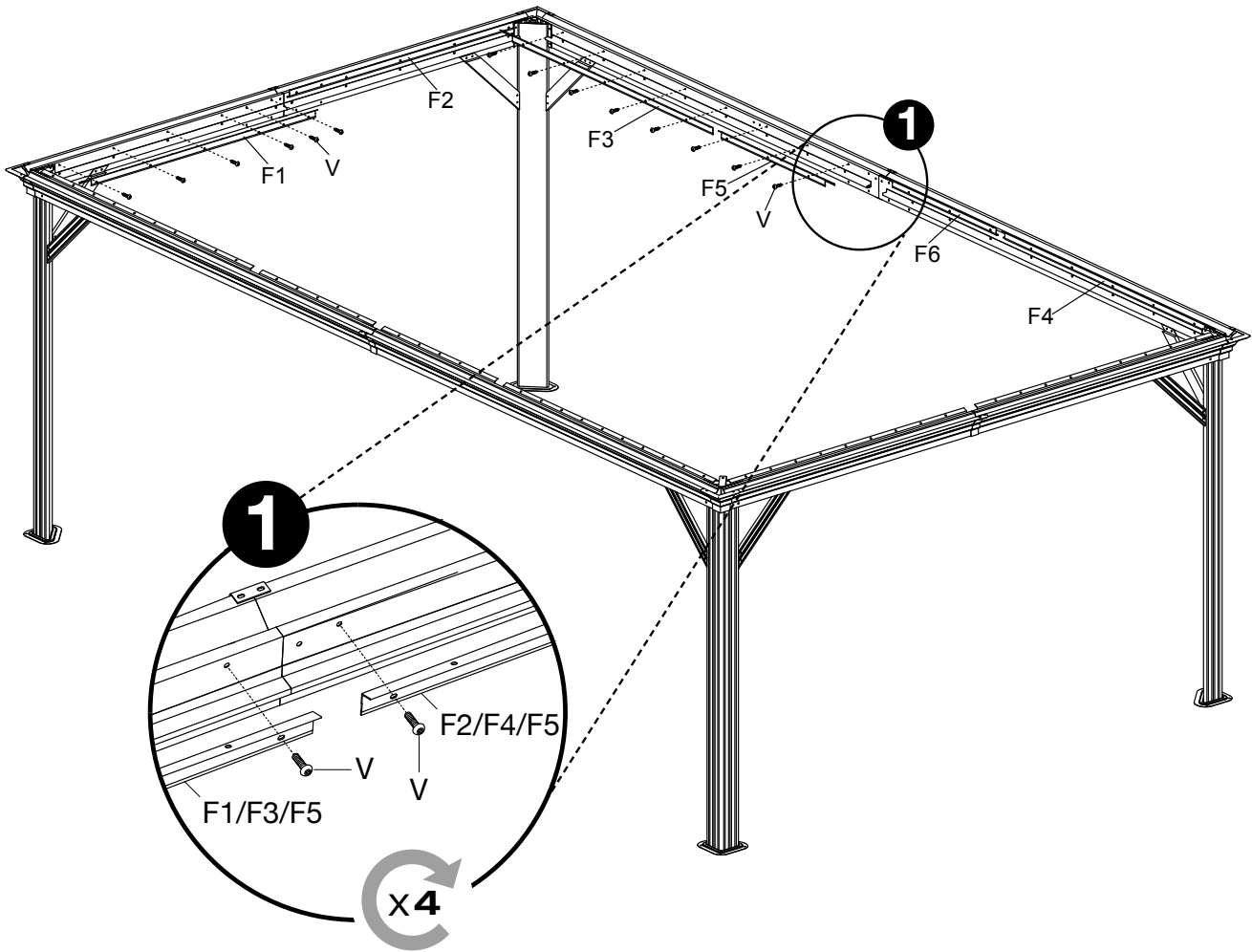
L1x4

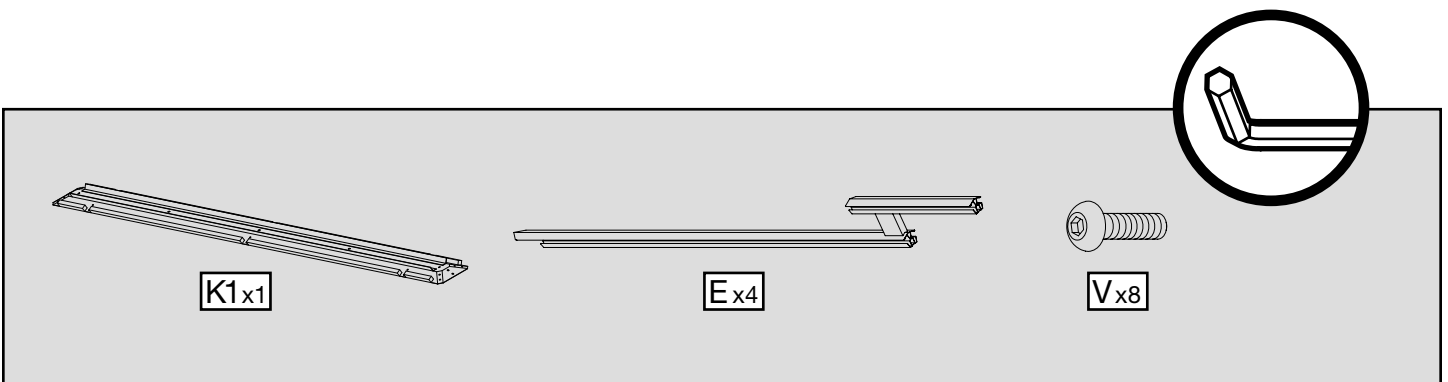
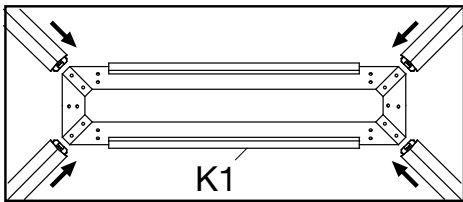
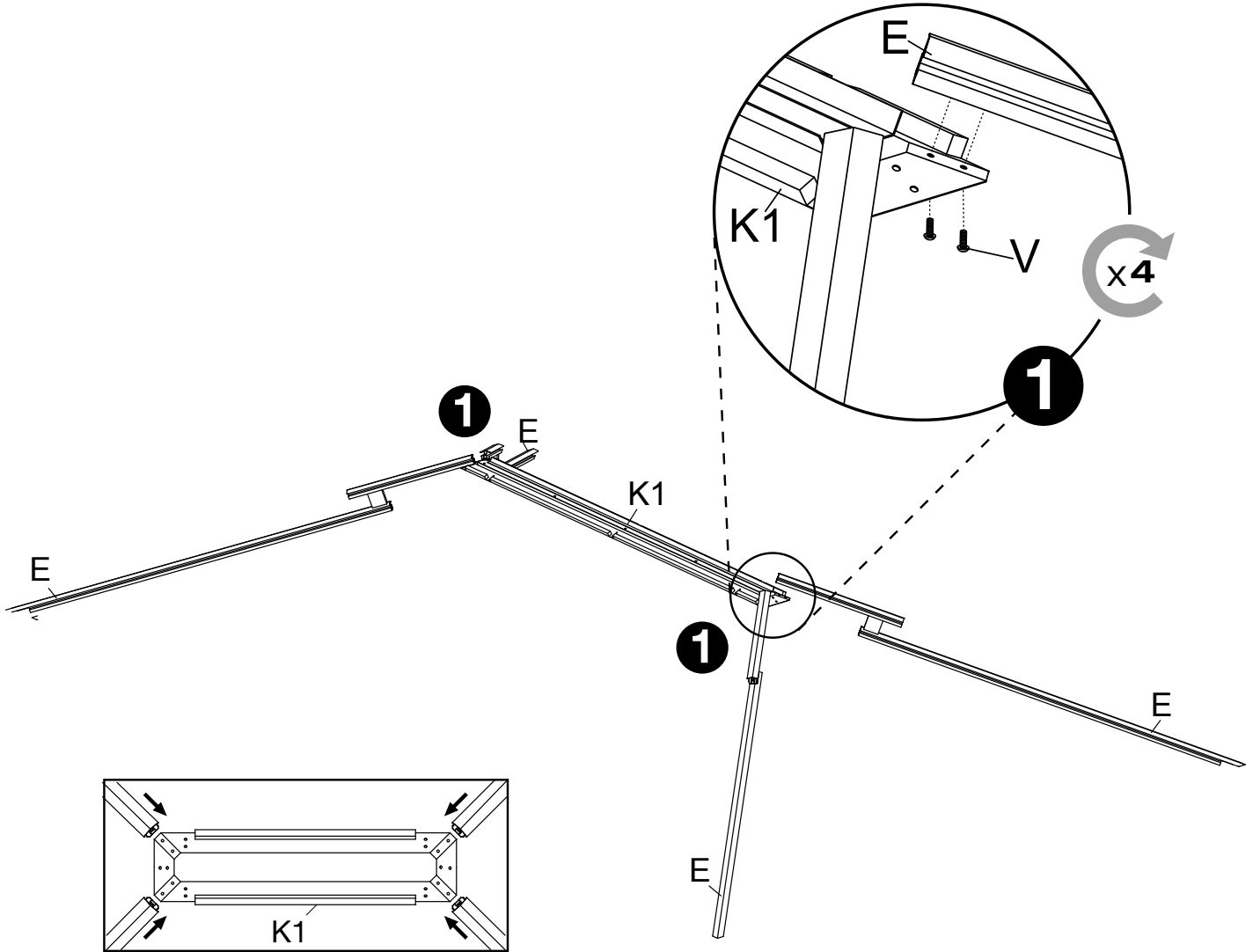


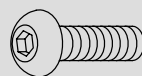
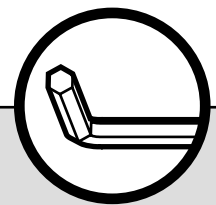
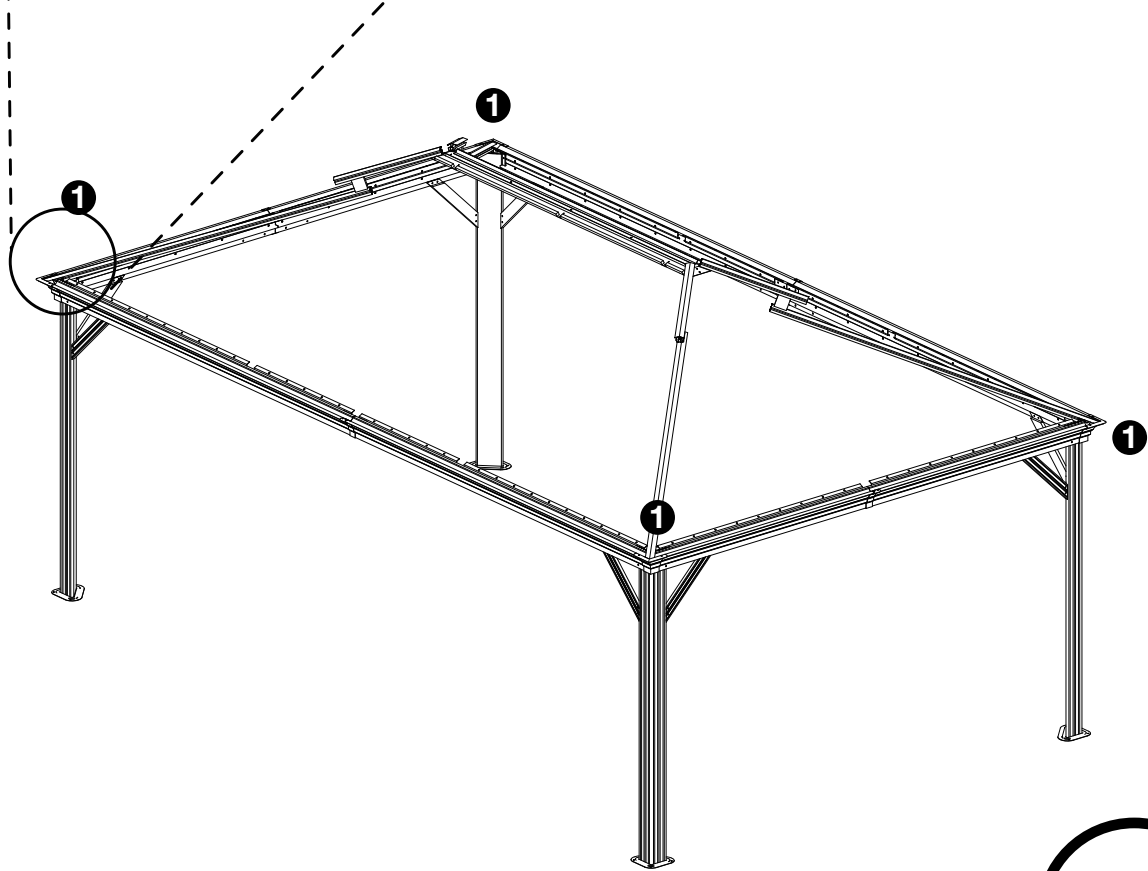
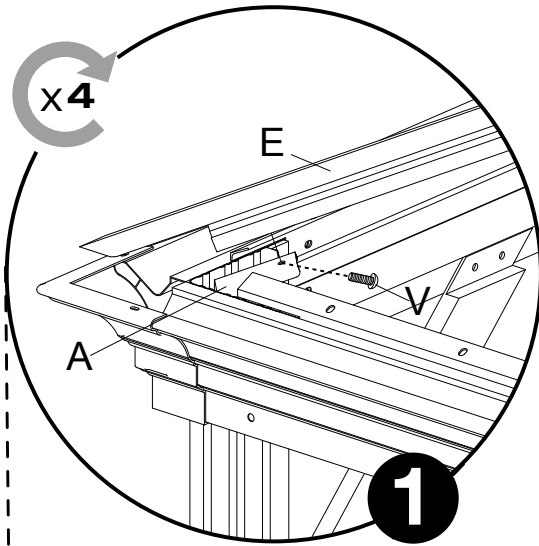
L2x4



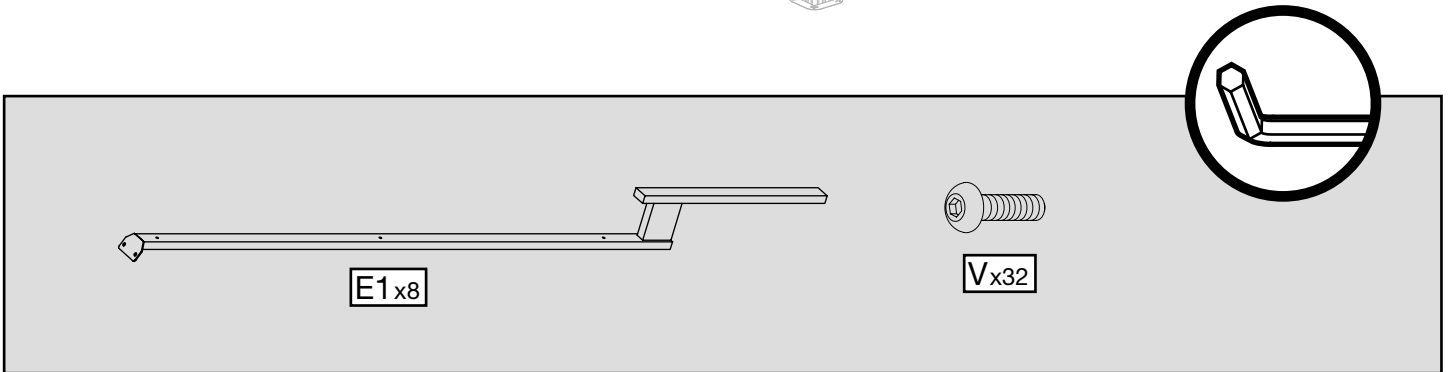
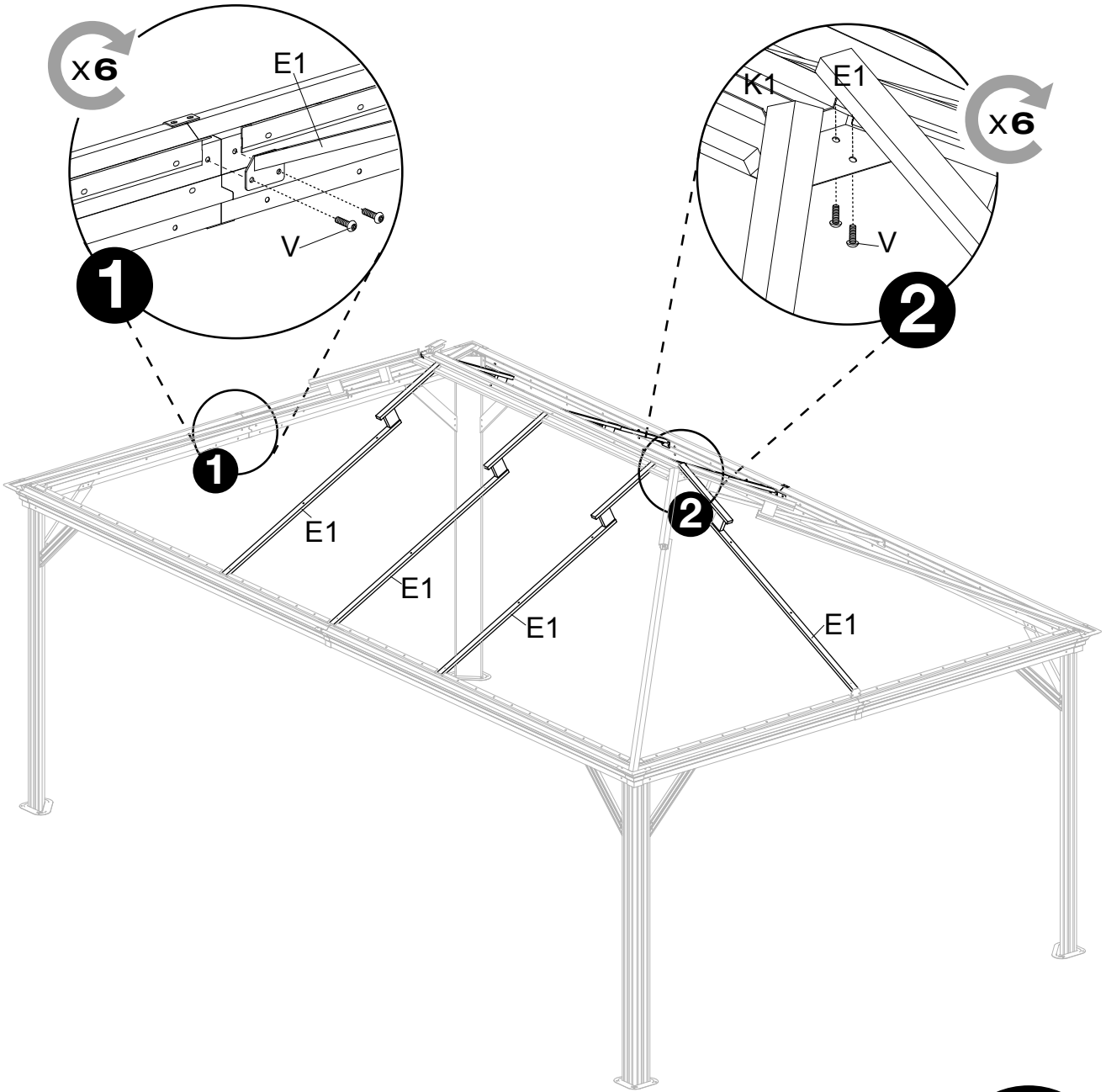
Vx32

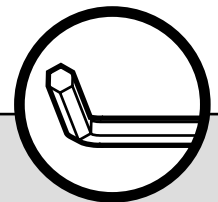
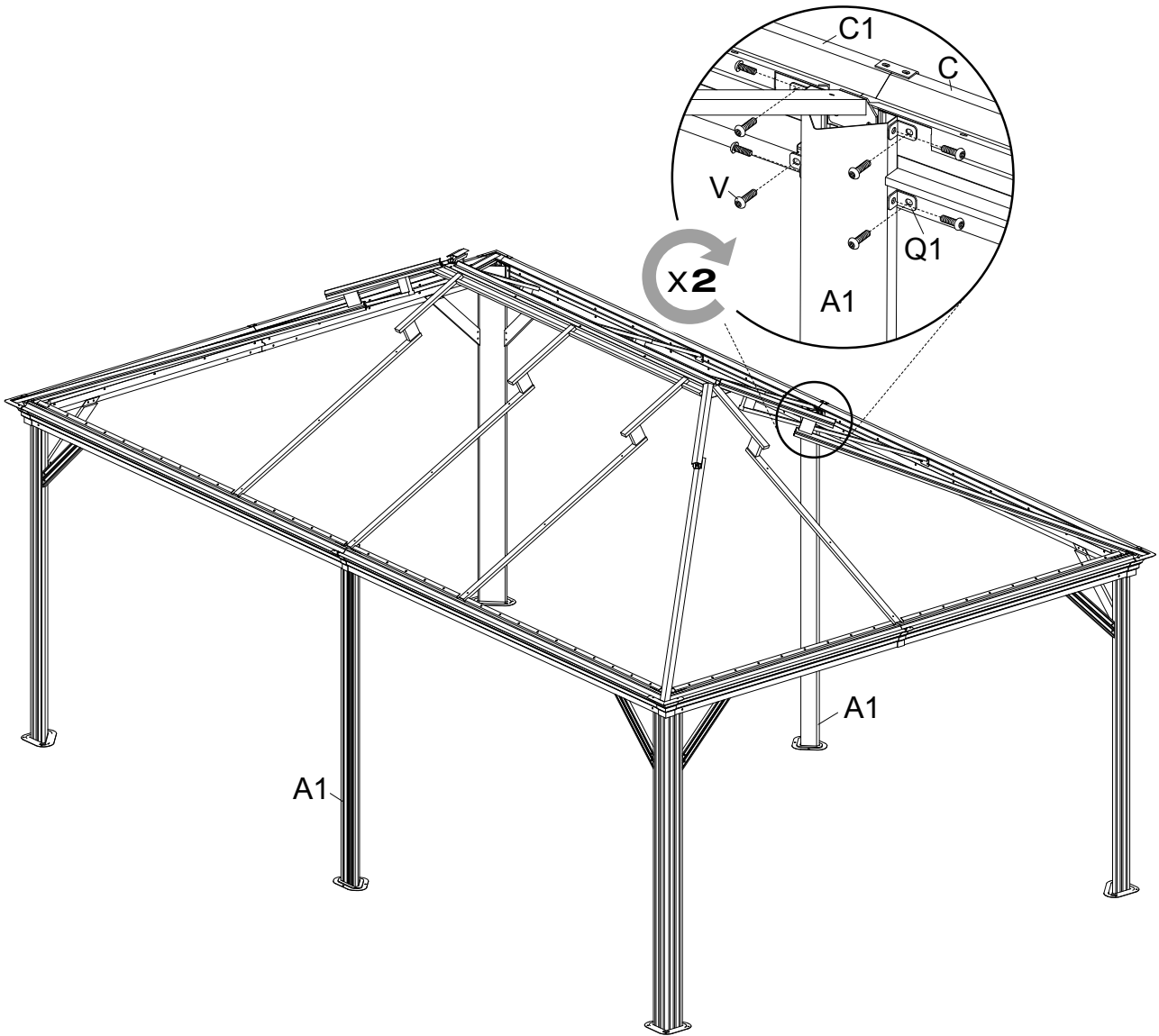




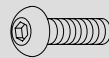


Vx4

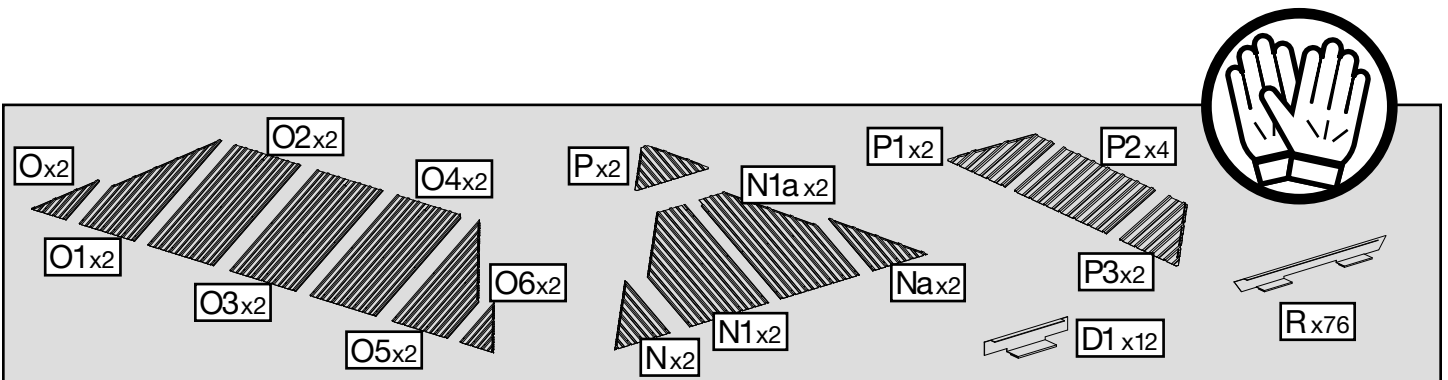
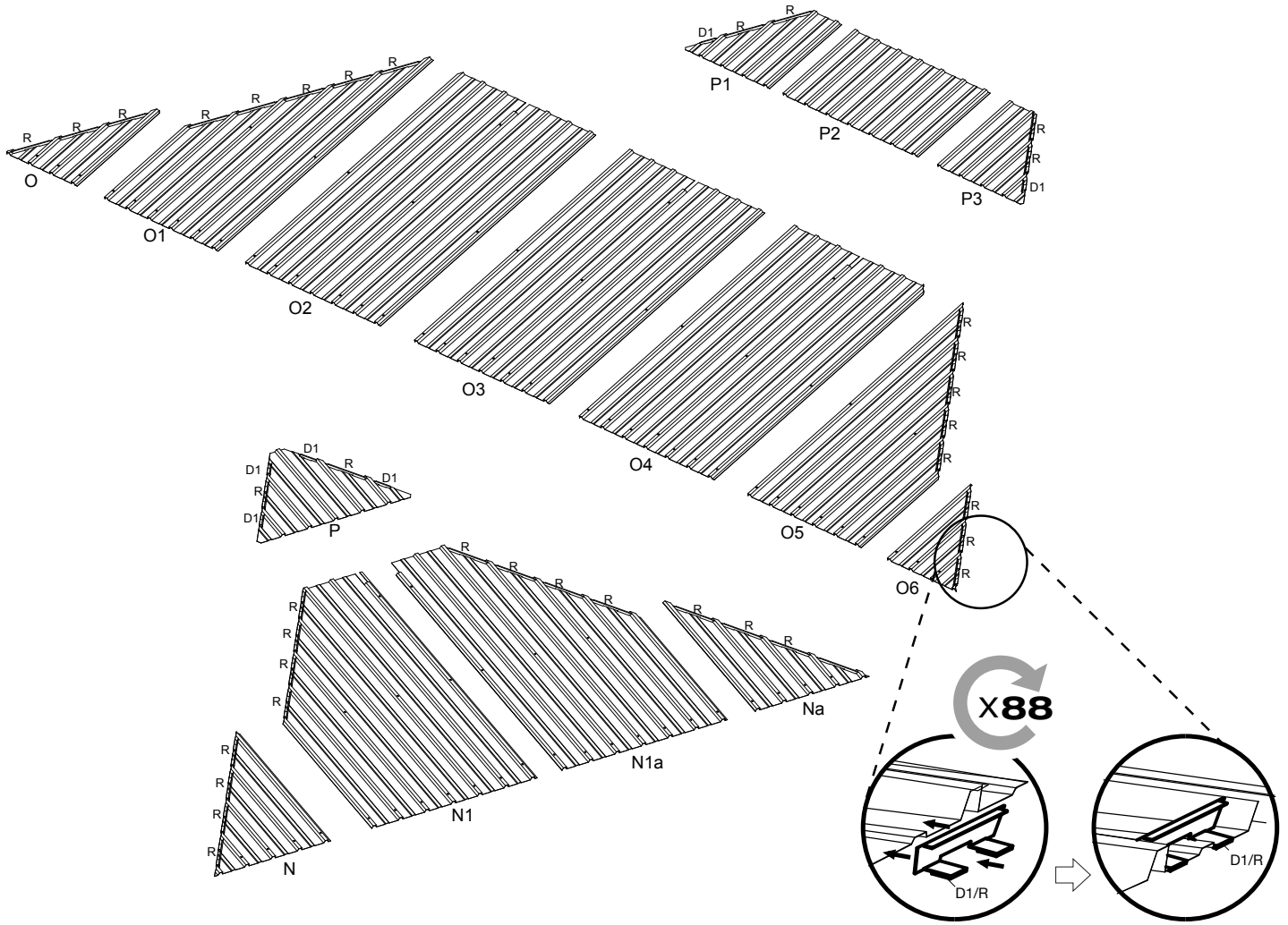


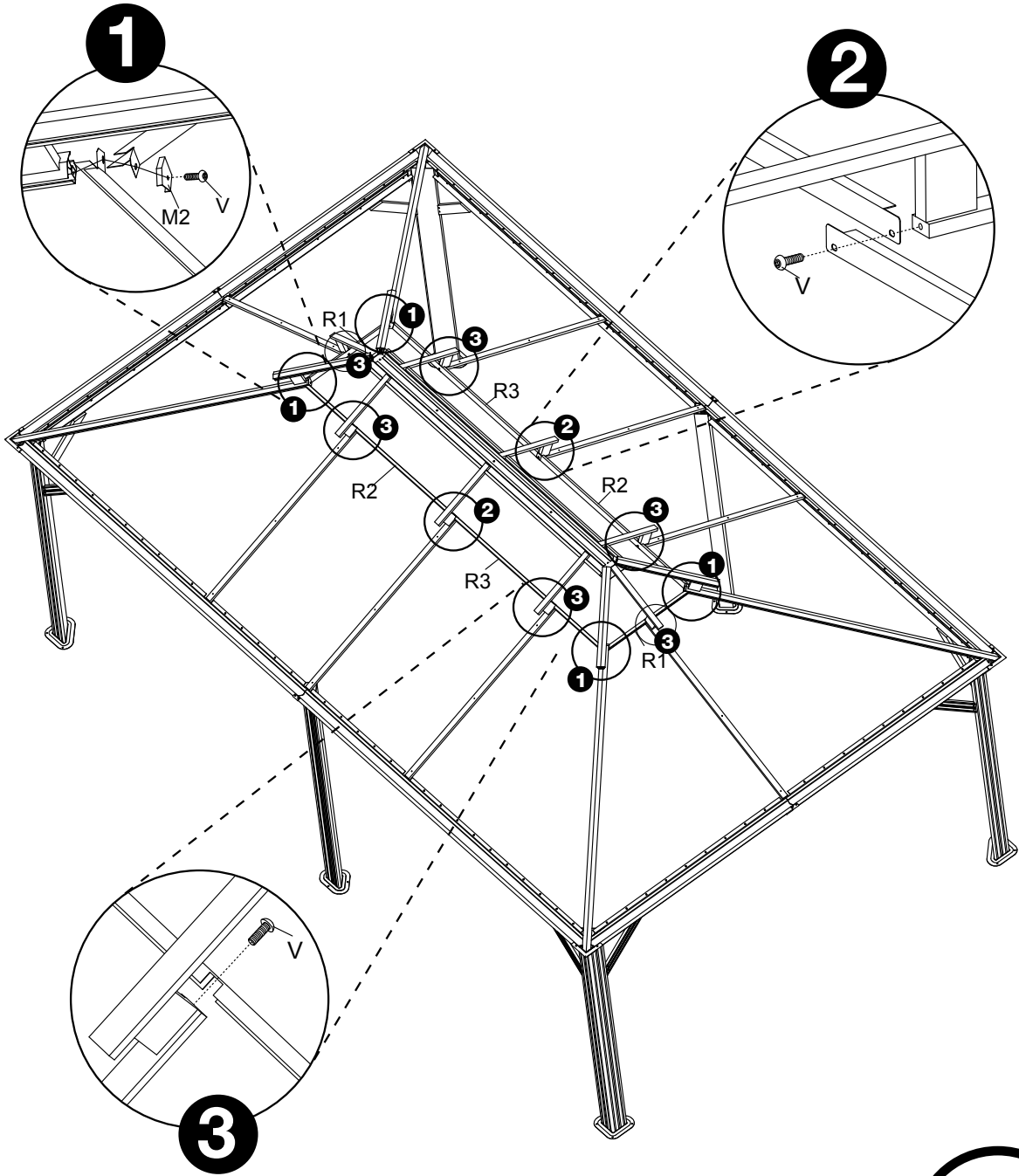


Q1x8



Vx16





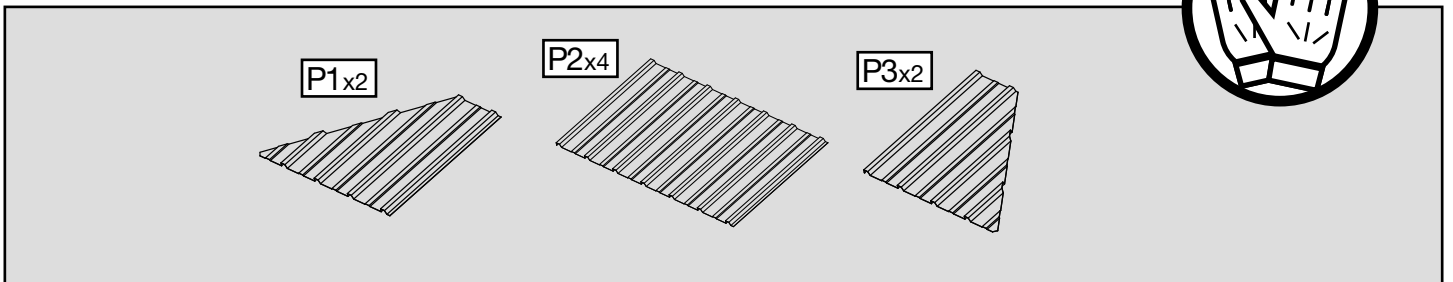
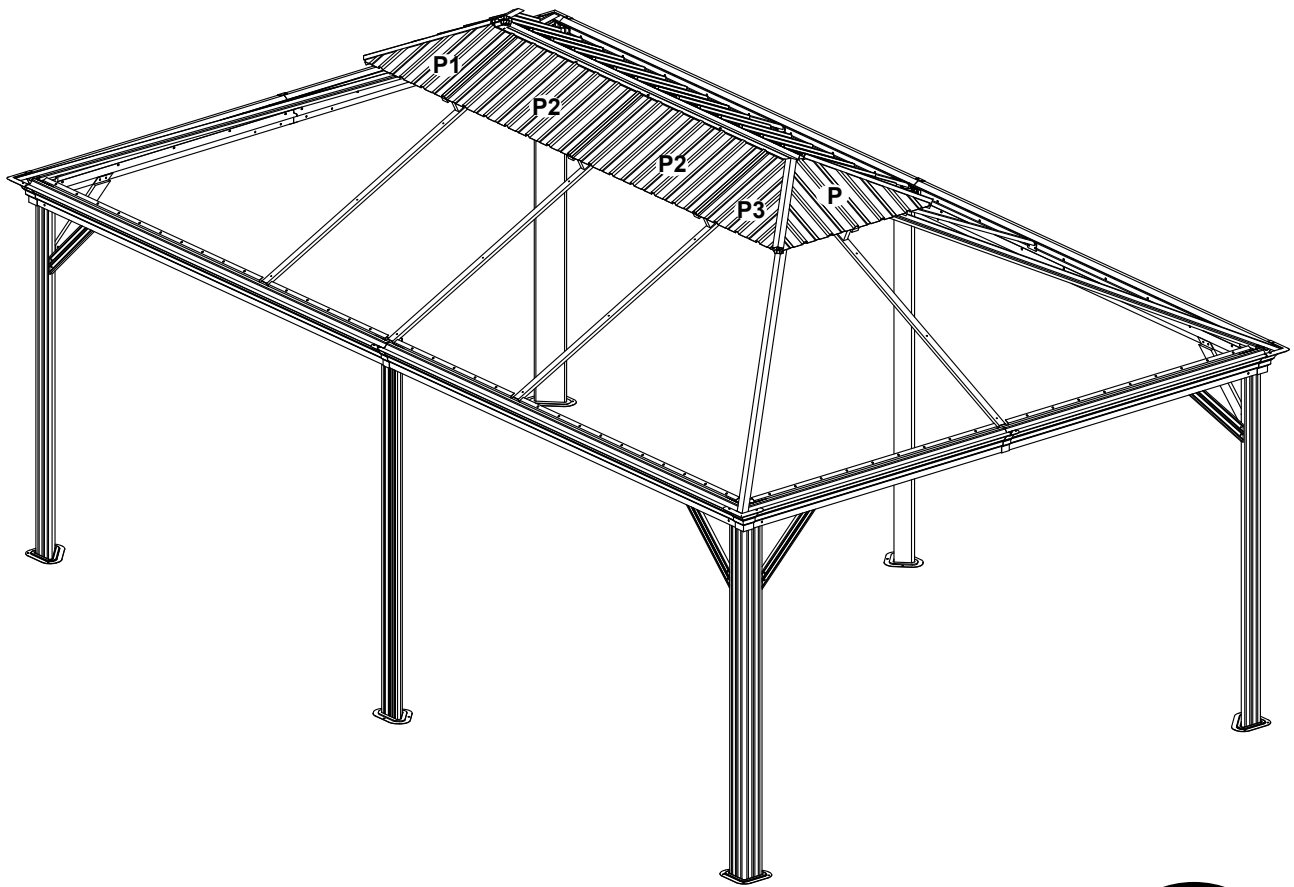
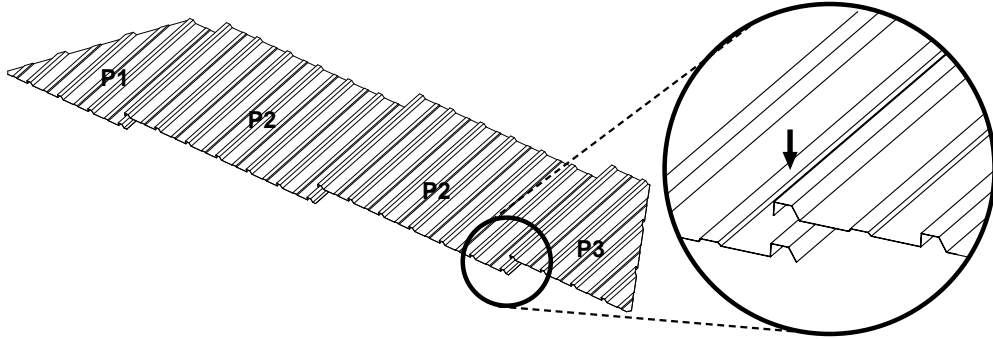
R1x2

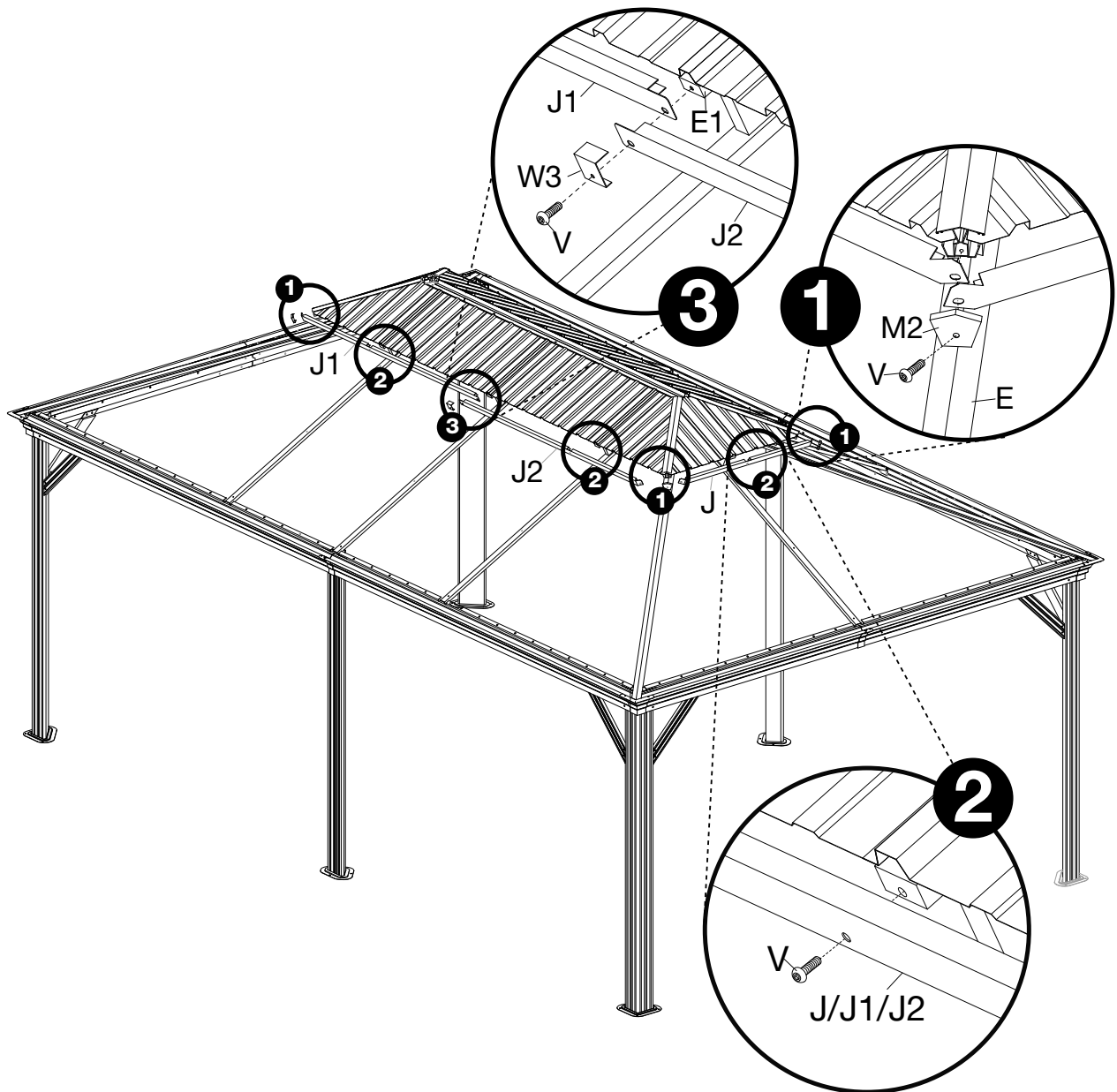
R2x2

R3x2

Vx12

M2x4





Jx2

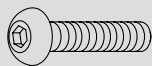
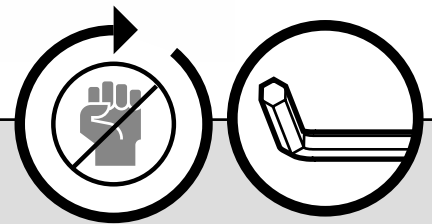
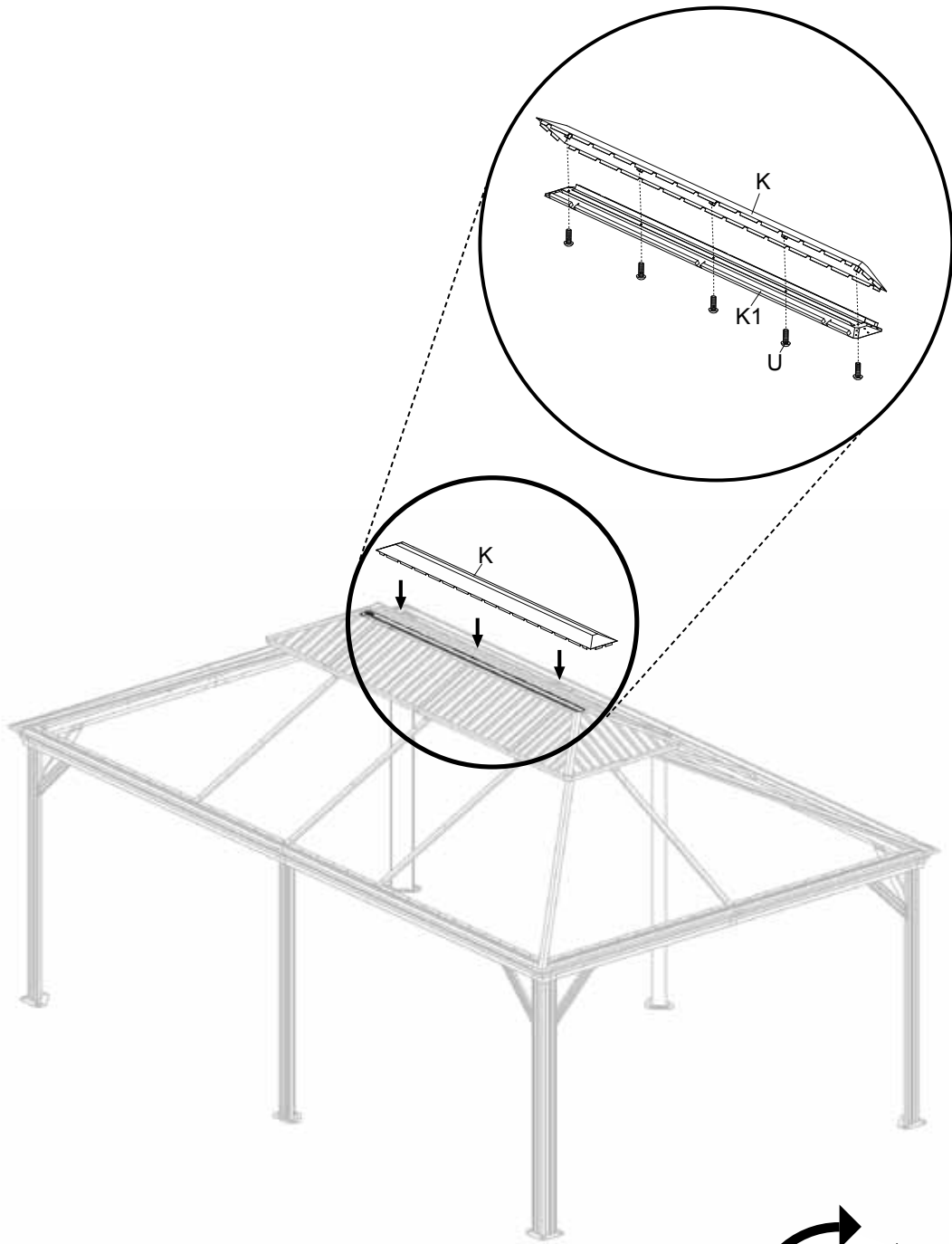
J1x2

J2x2

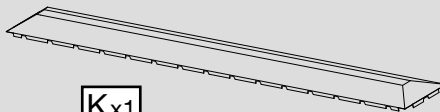
M2x4

W3x2

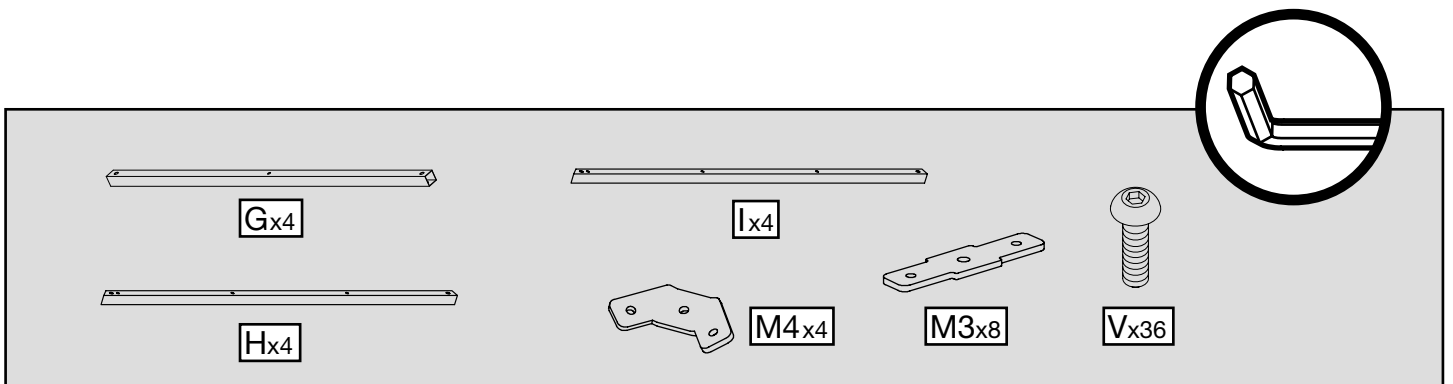
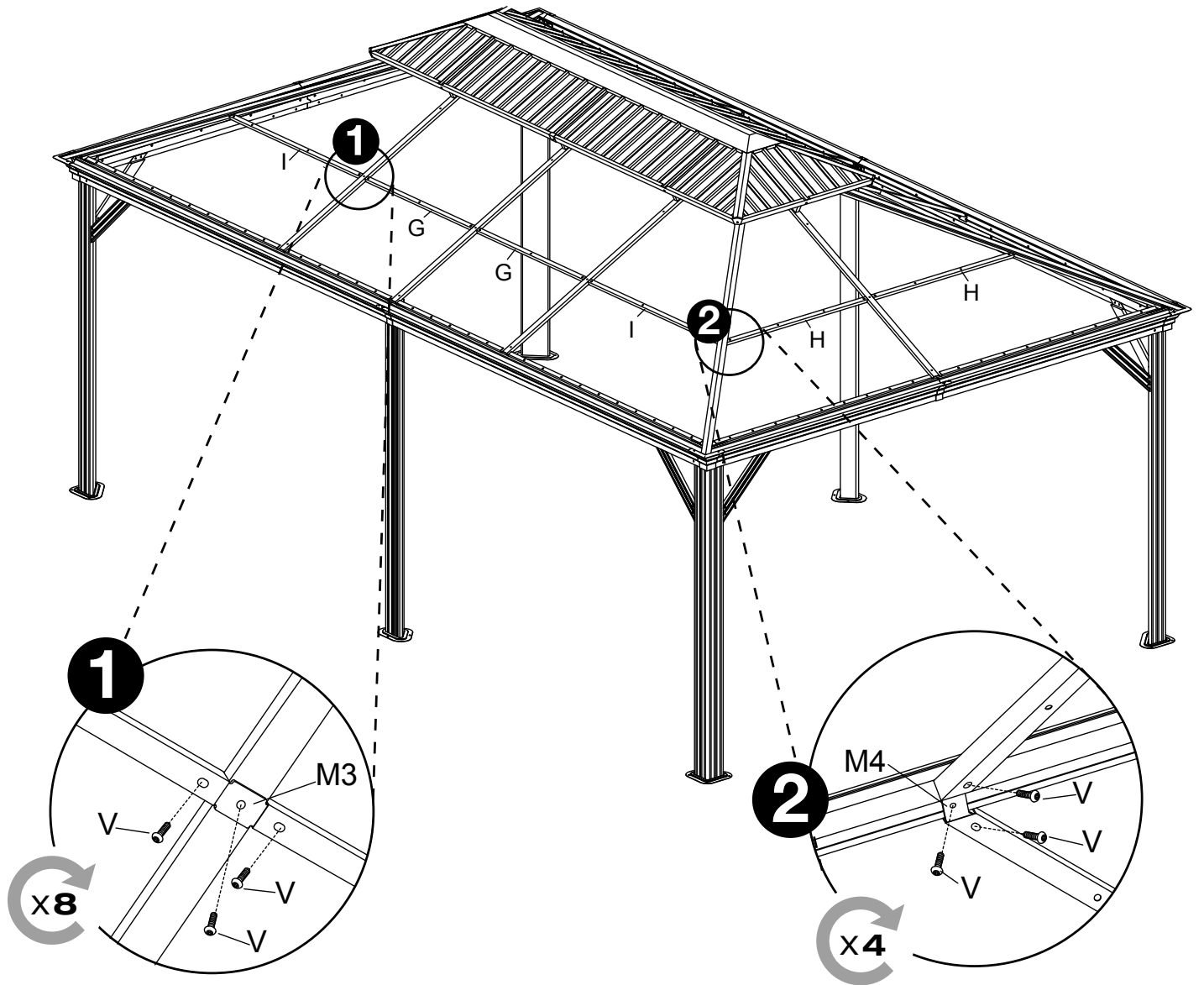
Vx12

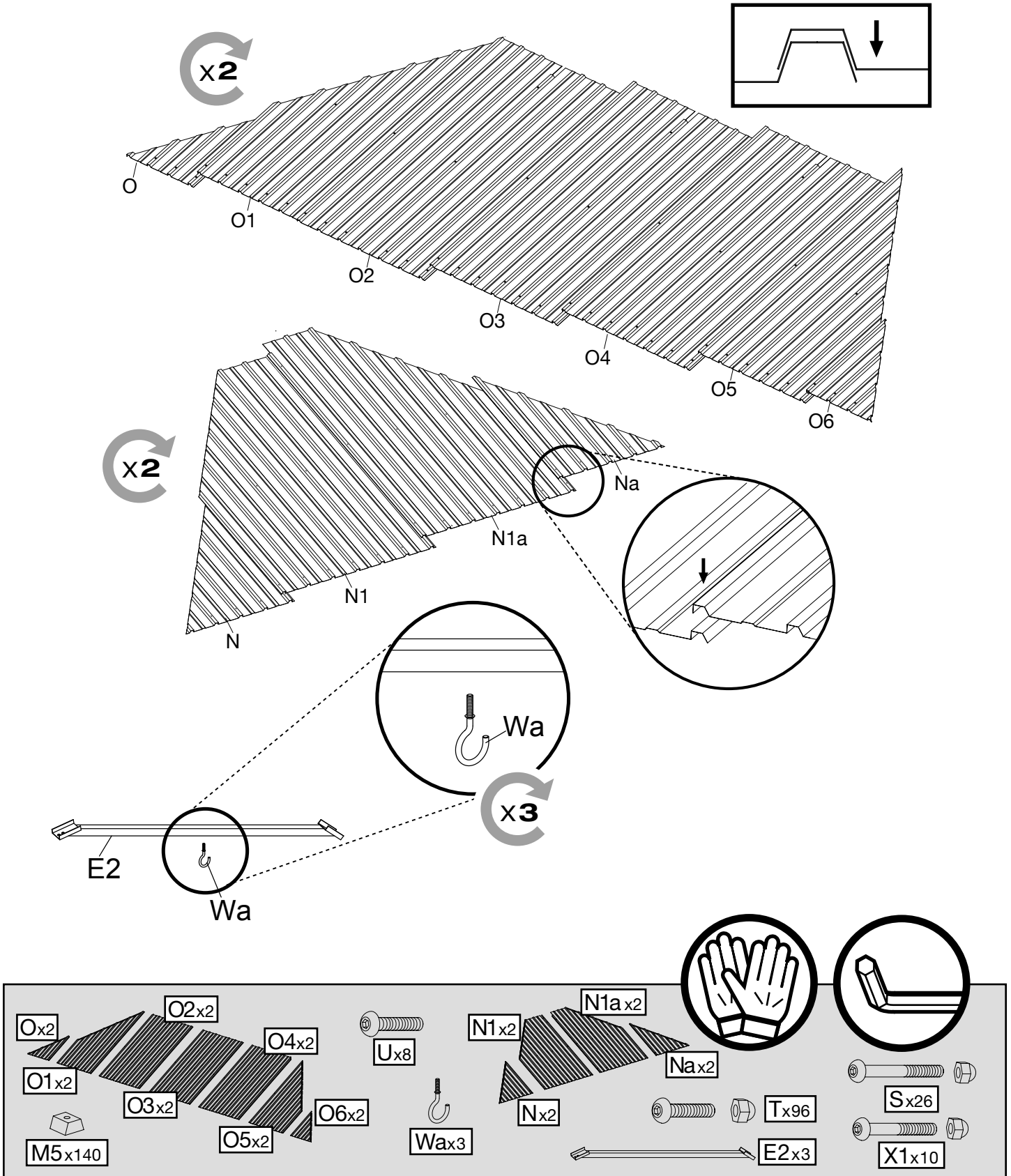


Ux5

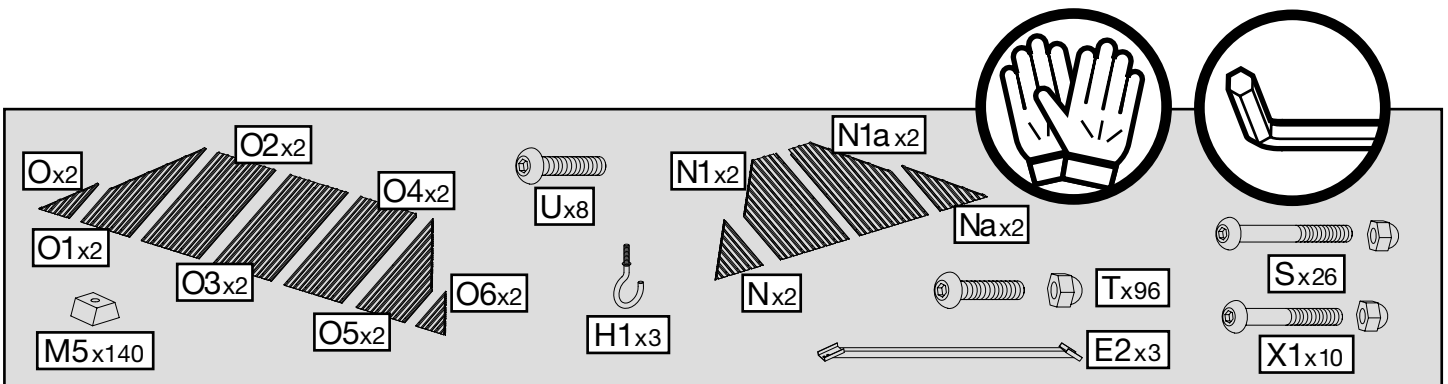
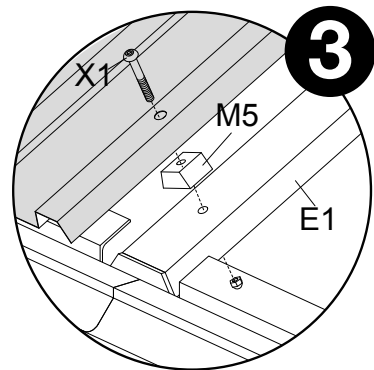
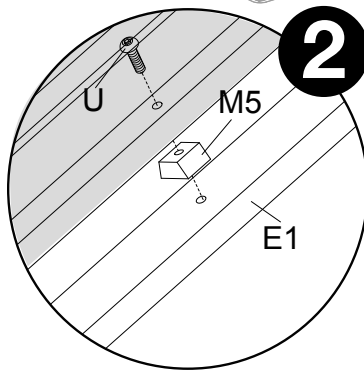
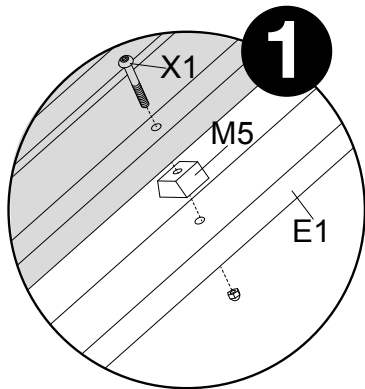


Kx1

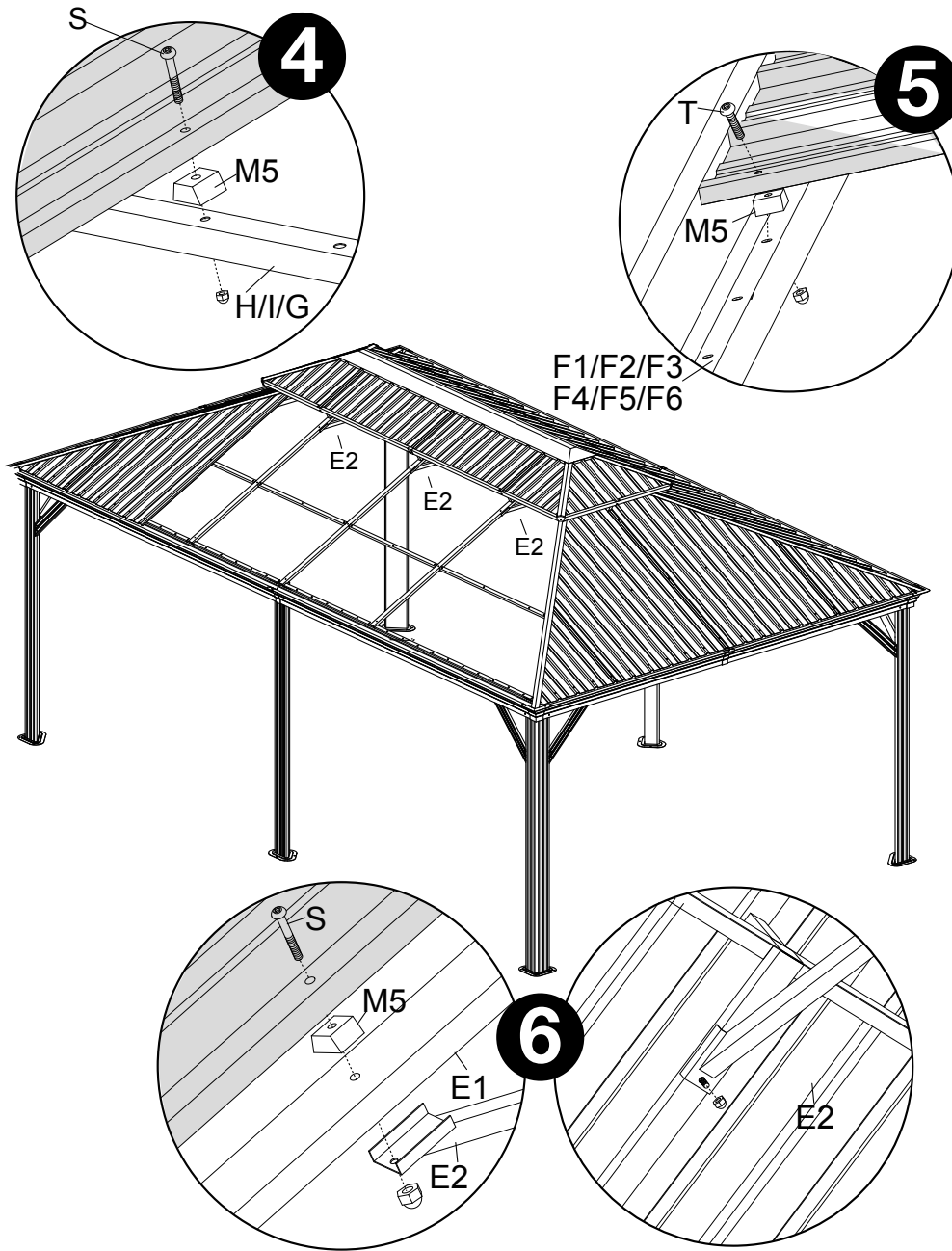




20A/21

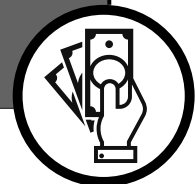
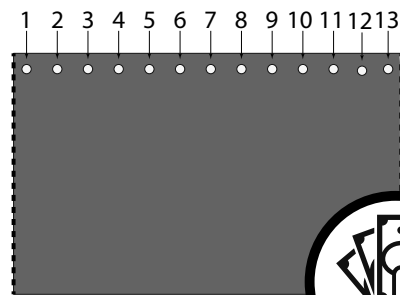
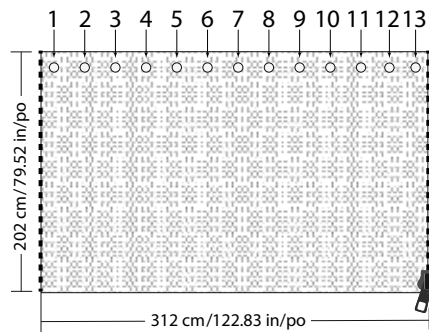
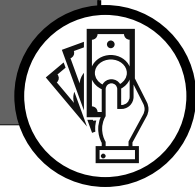
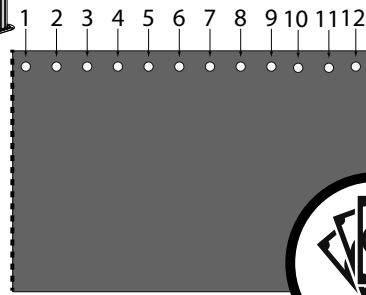
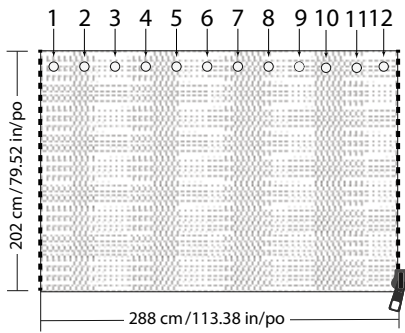
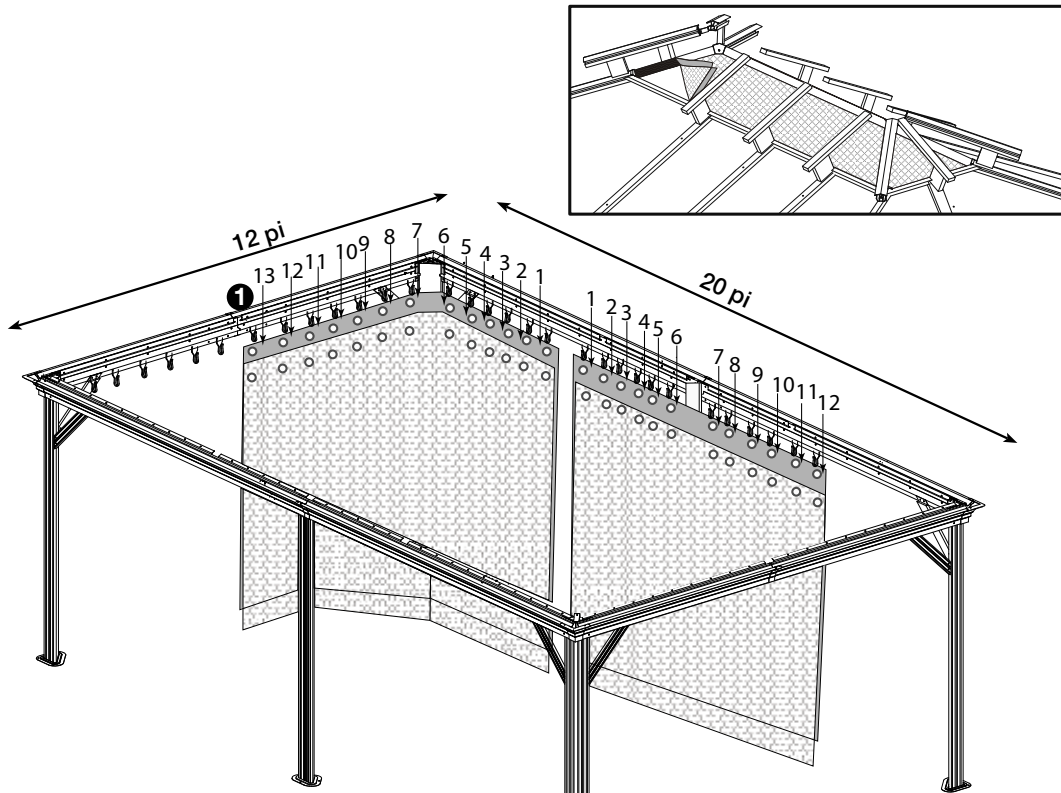


20b/21



Parts list diagram showing various components and tools:

- Slats: O1x2, O2x2, O3x2, O4x2, O5x2, O6x2
- Beams: N1x2, N1a x2, N2, Na x2
- Legs: E1, E2
- Other parts: M5x140, Ux8, H1x3, Tx96, Sx26, X1x10
- Tools: Gloves, Allen key



SOJAG ■ I
produits saisonniers • seasonal products