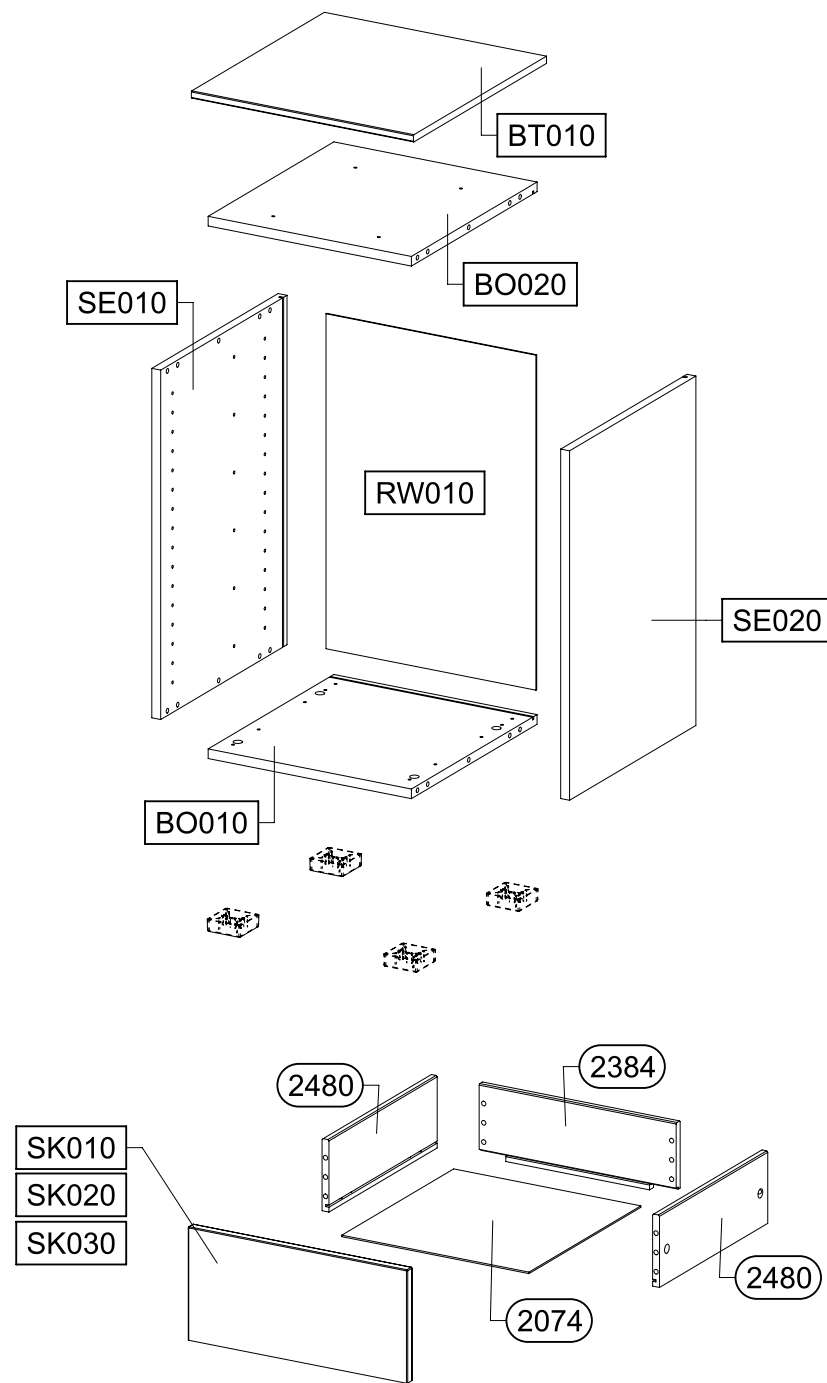
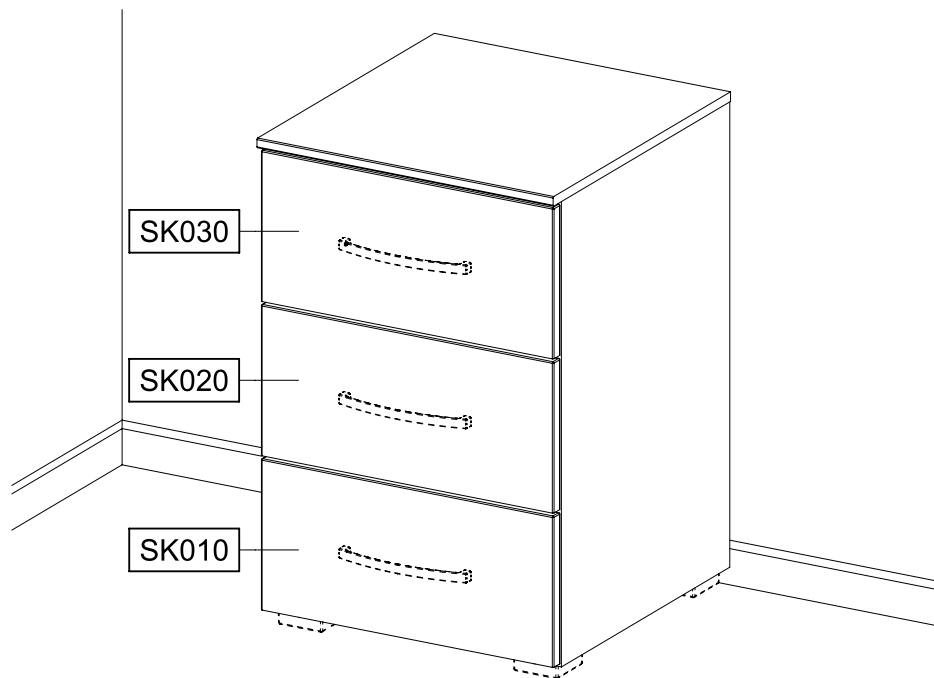
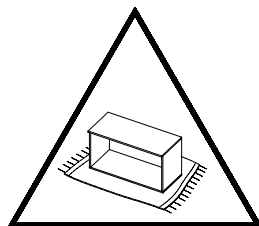
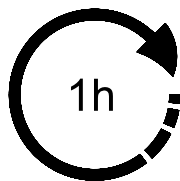
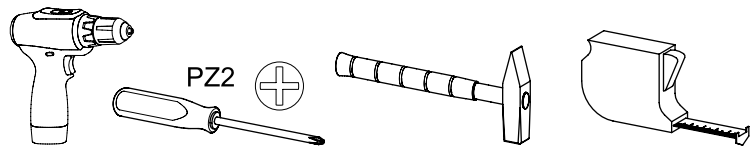




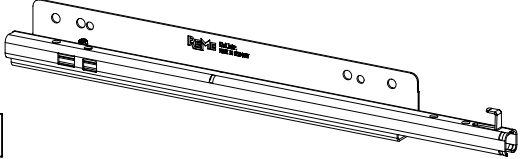

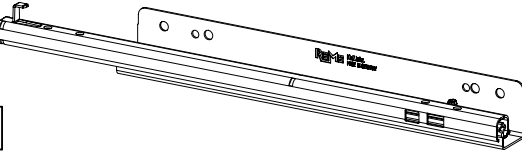
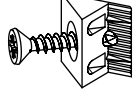



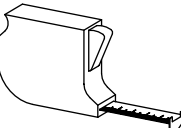
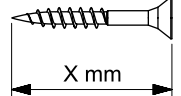
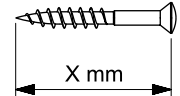
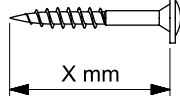




# M3092\_01




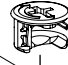
|  |   |   |   |
|--|---|---|---|
| 12x<br>4x15<br>836    | 36x<br>8x30<br>18  | 12x<br>6,3x9<br>792  | 12x<br>15x12<br>1480  |
| 3x<br>UF010   |   | 4x<br>4x25<br>240    |   |
| 3x<br>UF020   |   | 4x<br>45             |   |
| 20x<br>1479   | 6x<br>852          | 8x<br>173            |   |
|     |   |   |   |

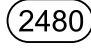
1

12x 1480 


1480 

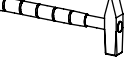
173 

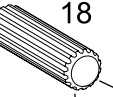
1480 

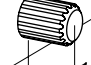
6x 2480 

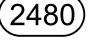
2


24x 18 

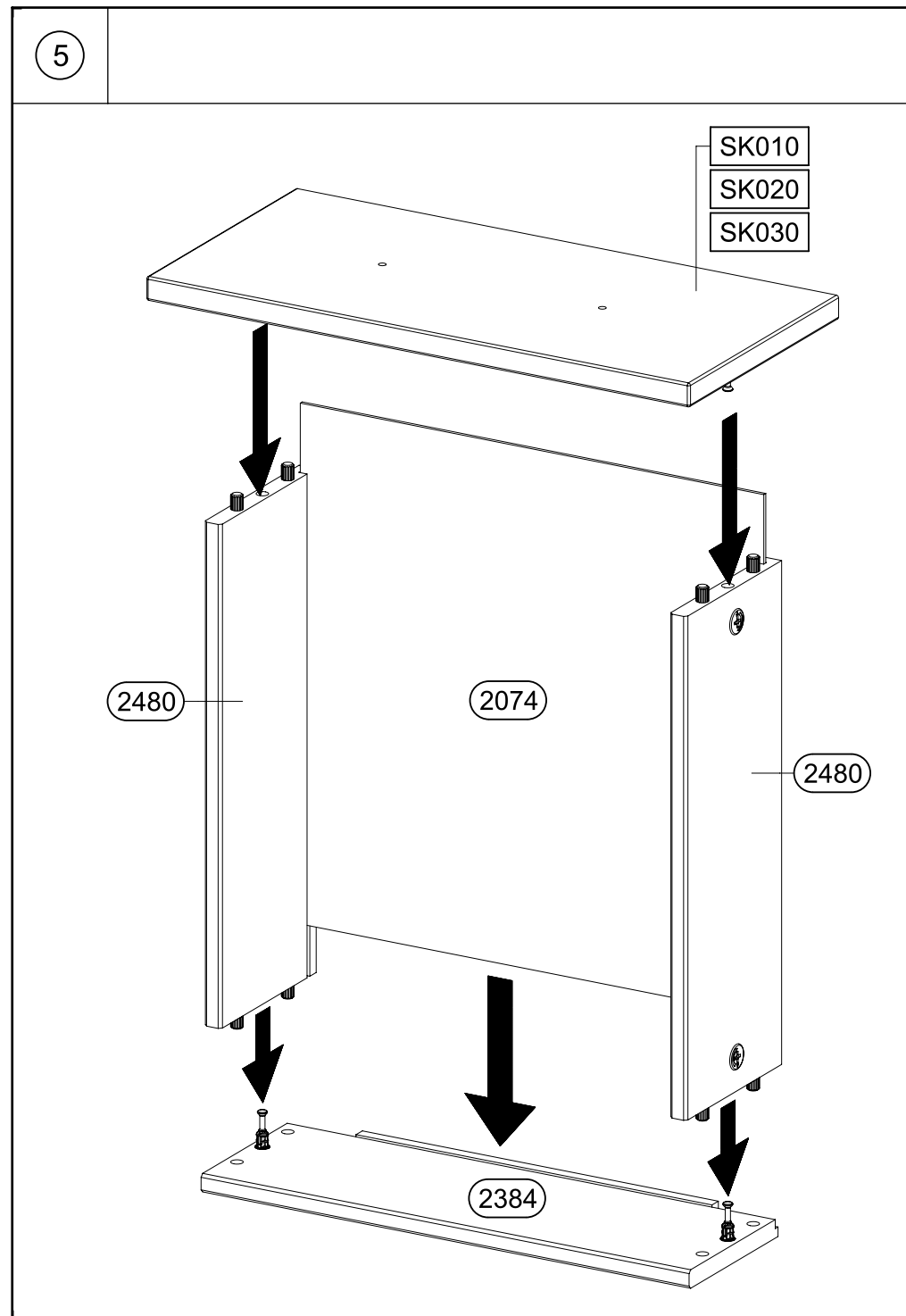
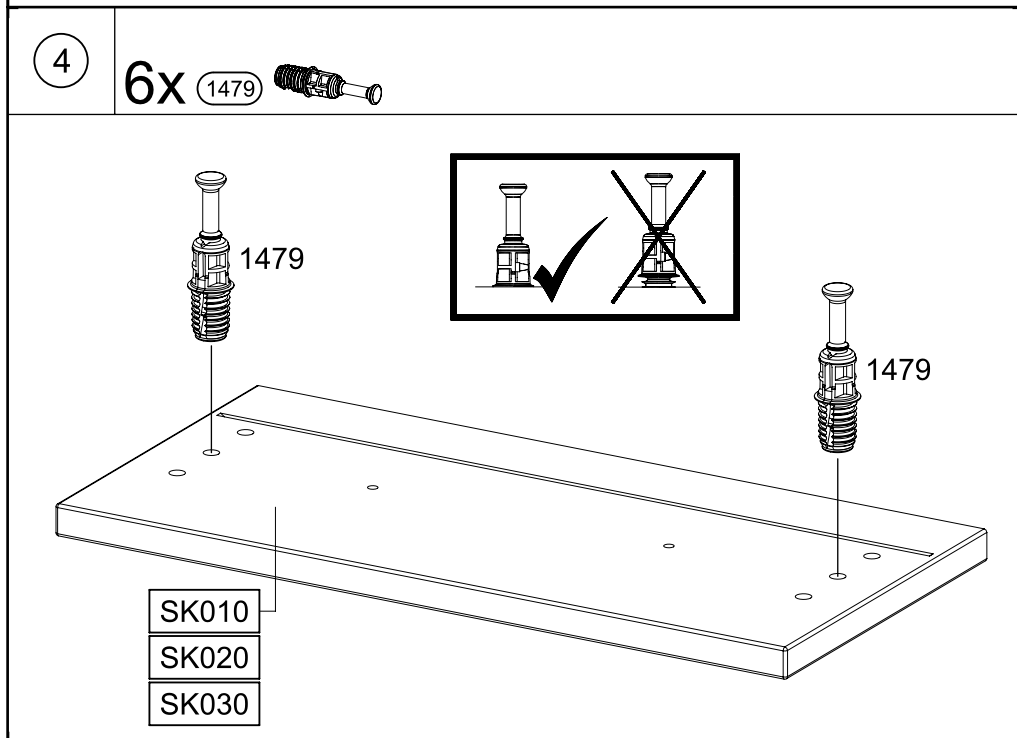
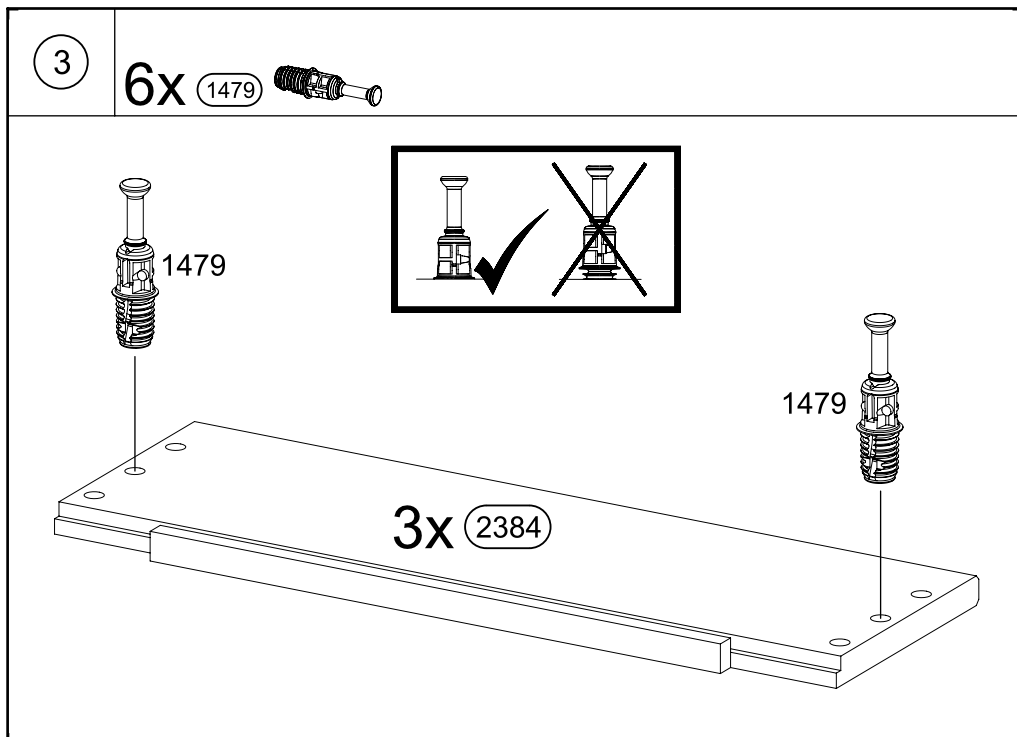
8x30 

18 

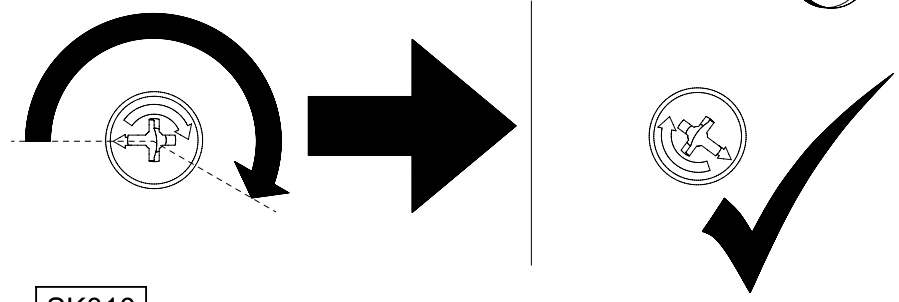
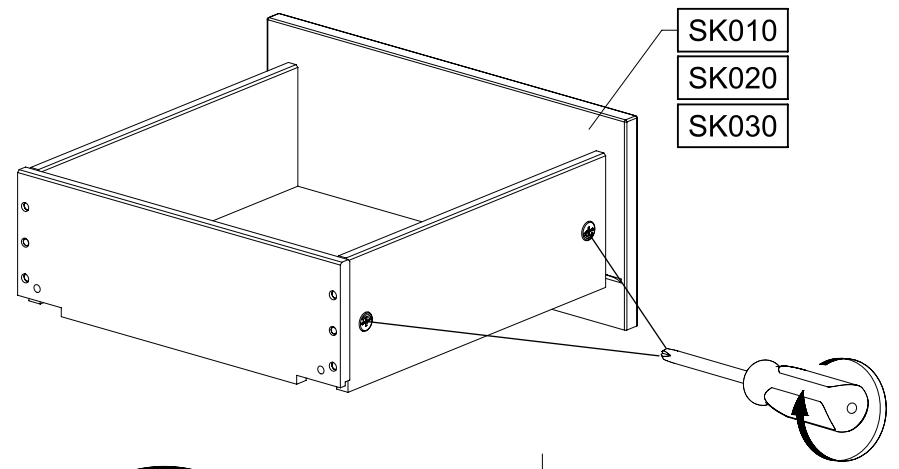
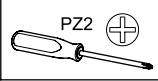
10mm 

6x 2480 

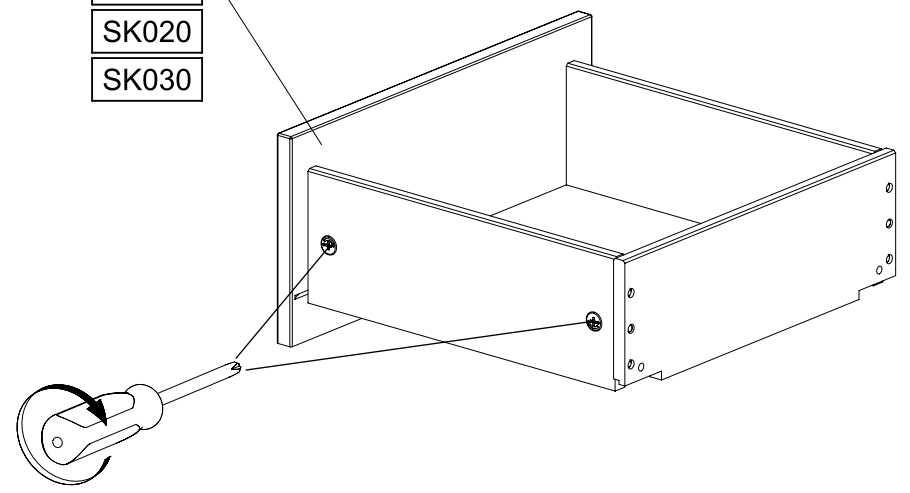
18 



6

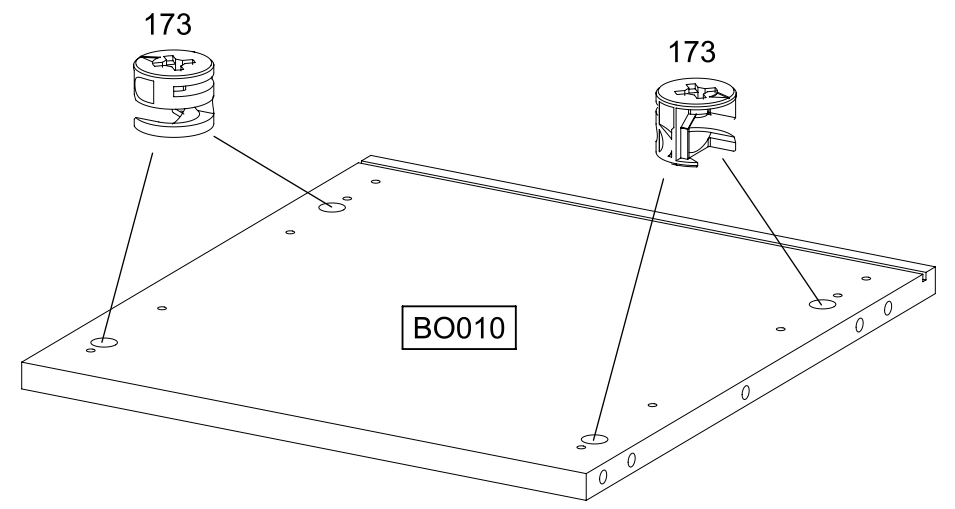
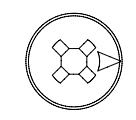
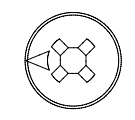
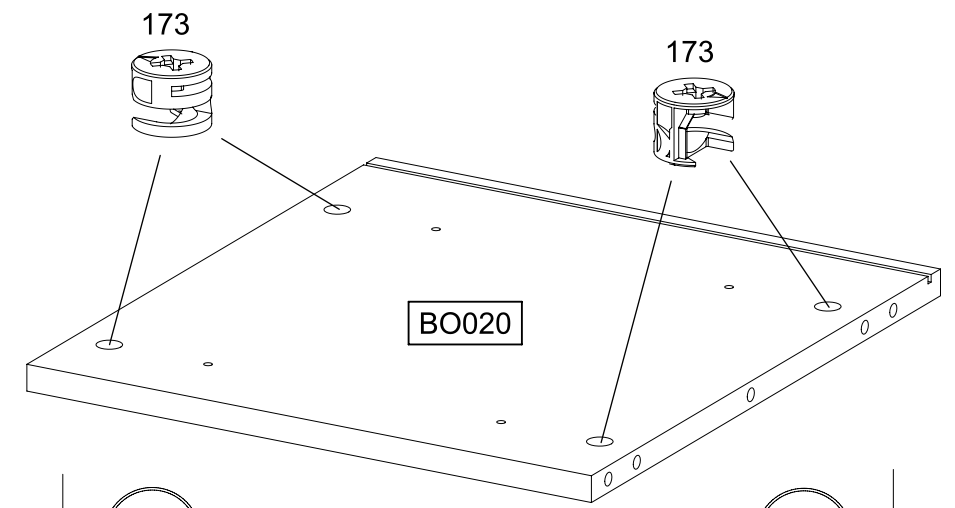
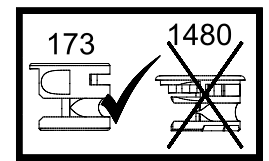


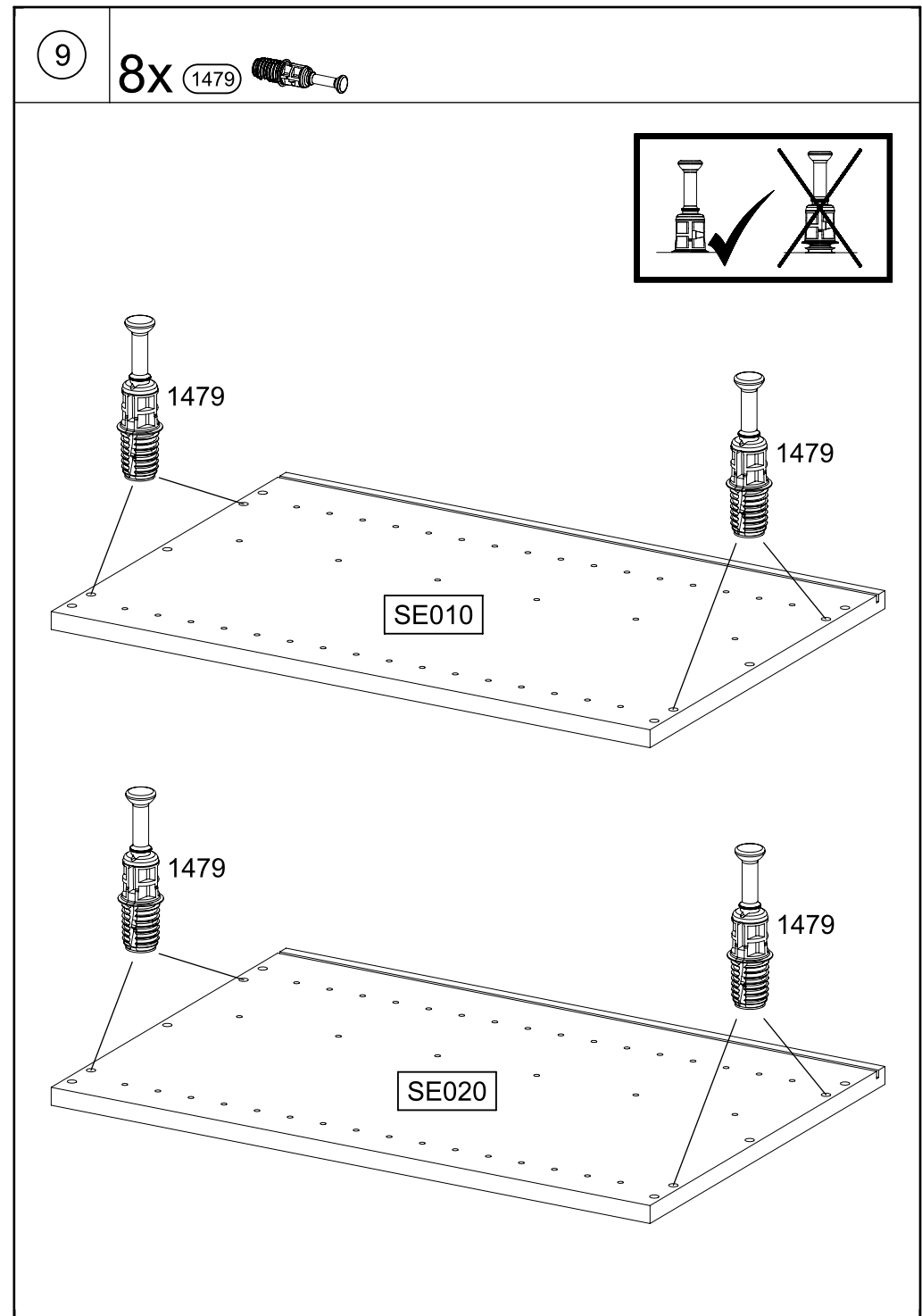
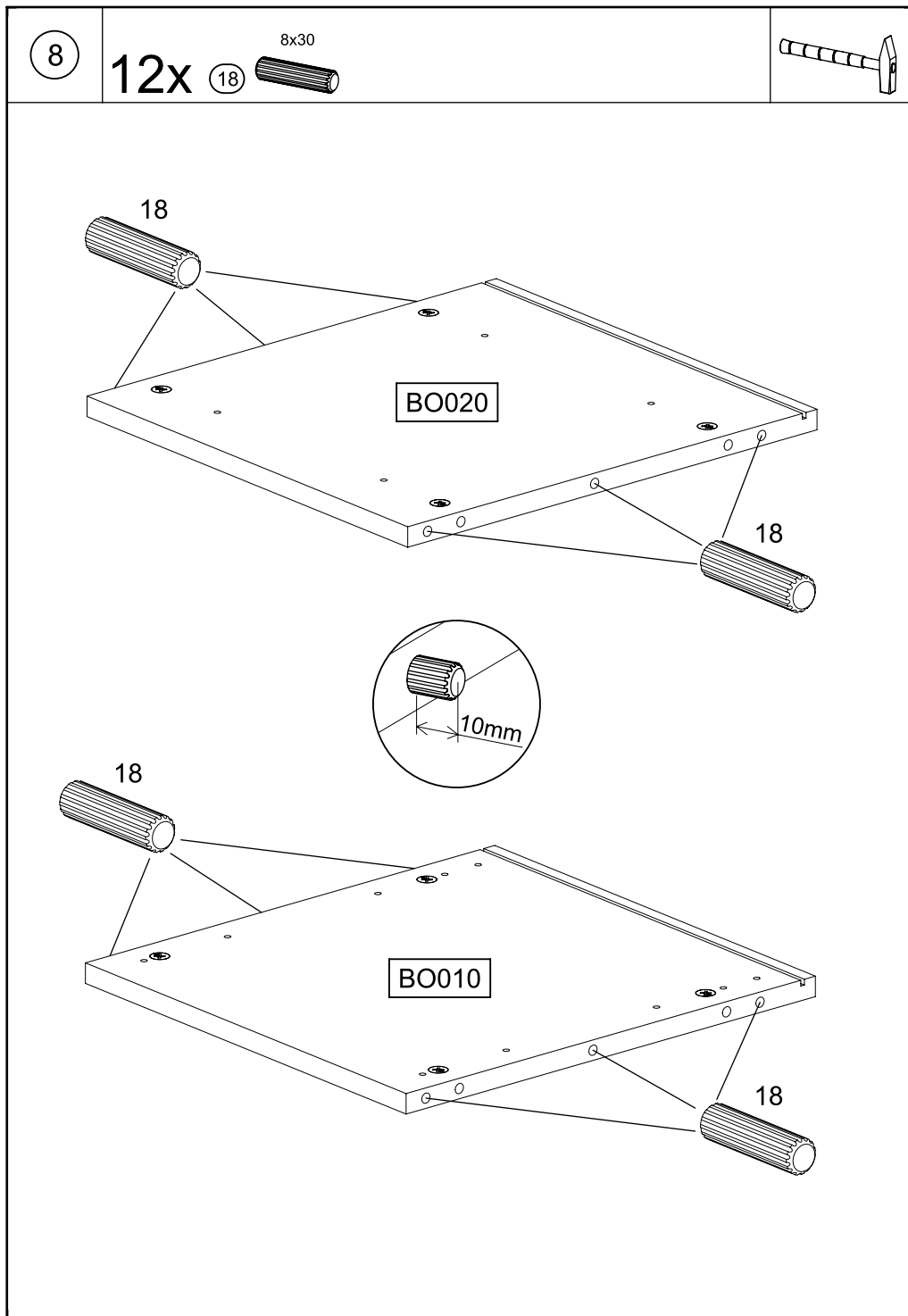
SK010  
SK020  
SK030

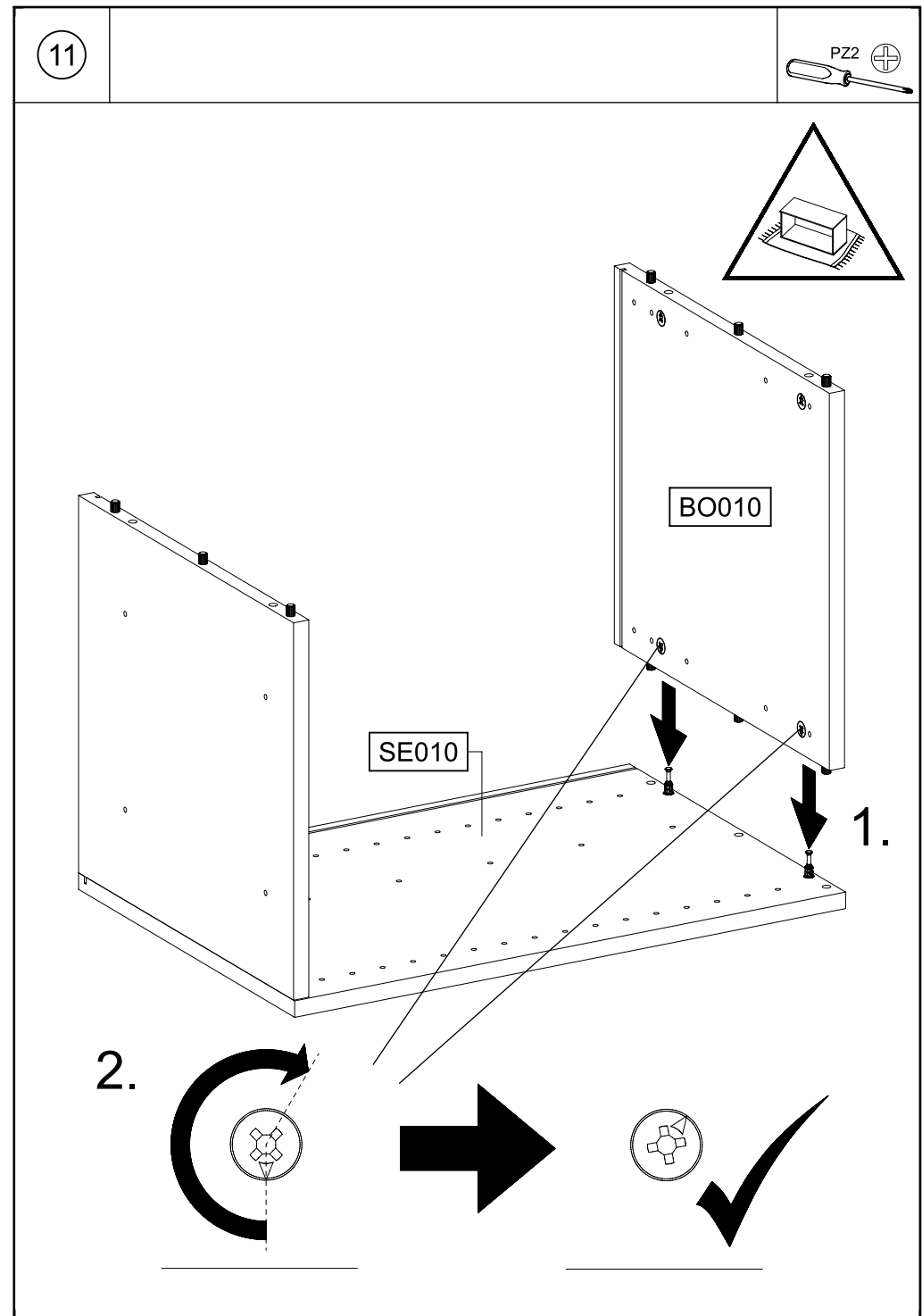
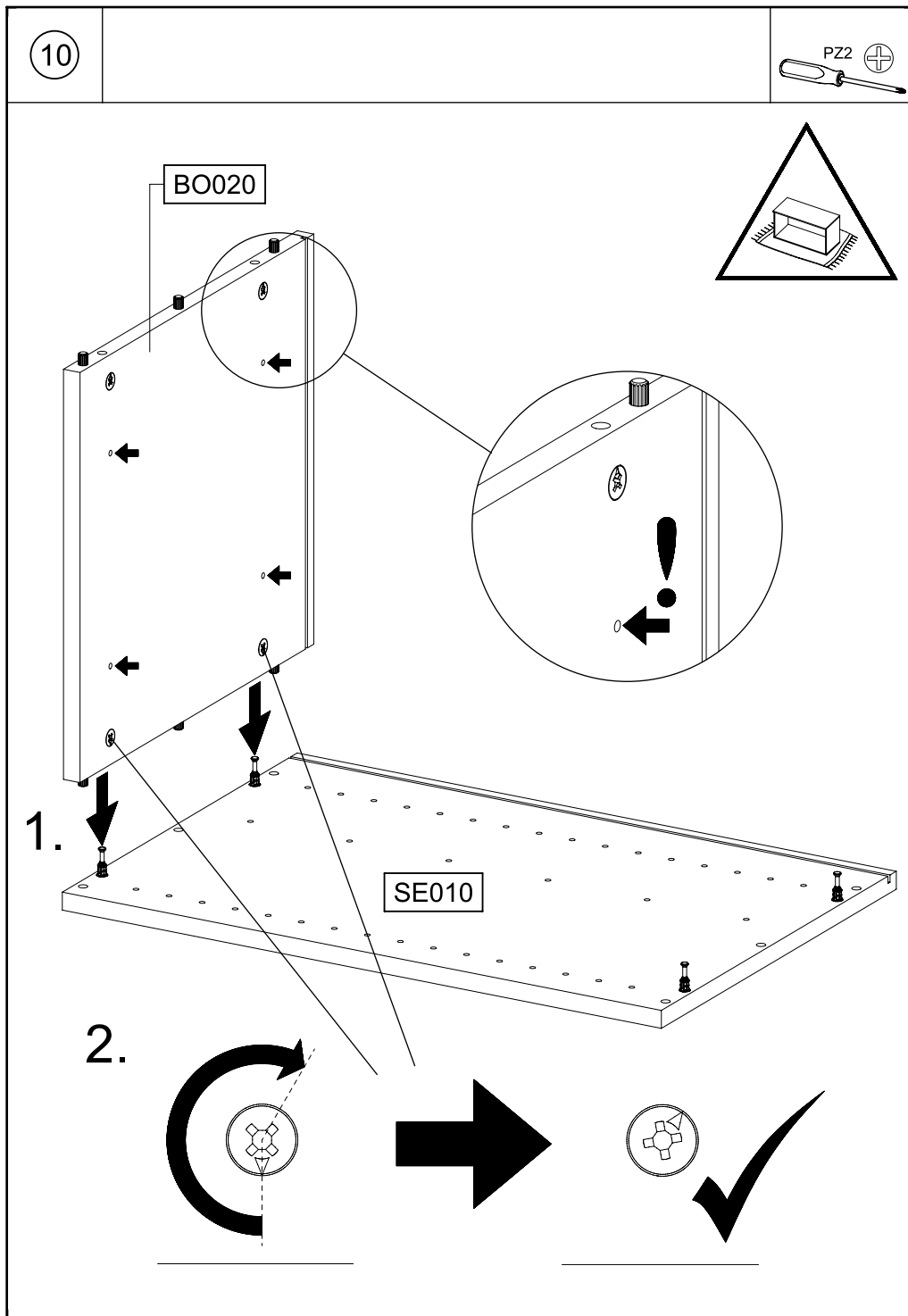


7

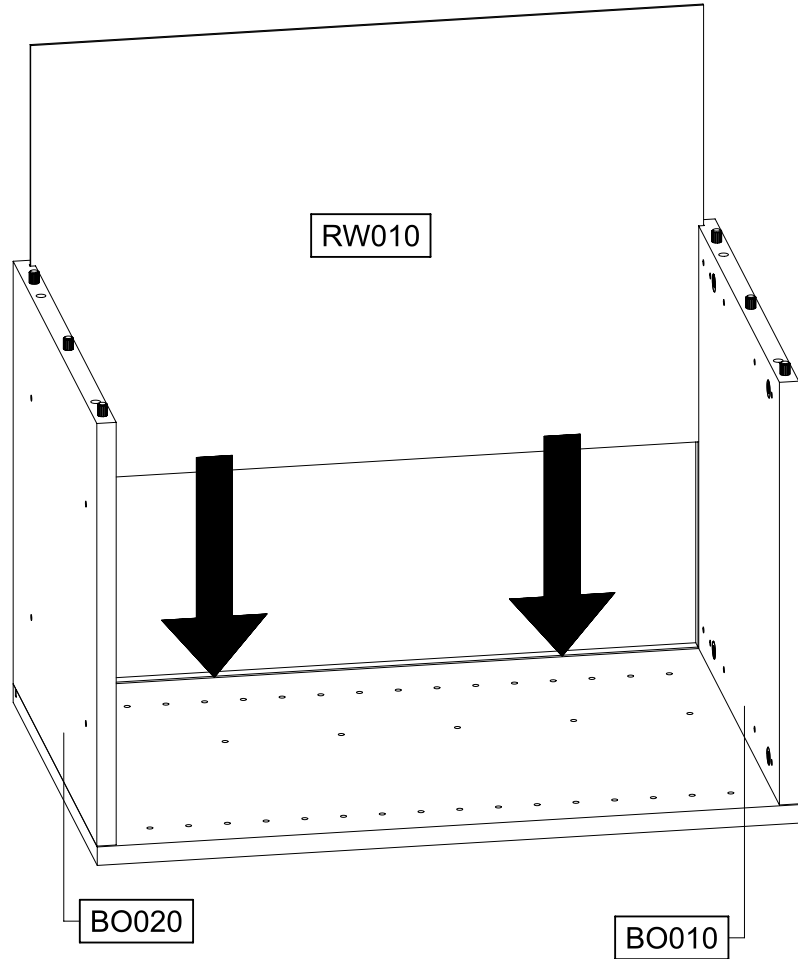
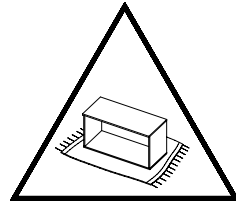
8x 173



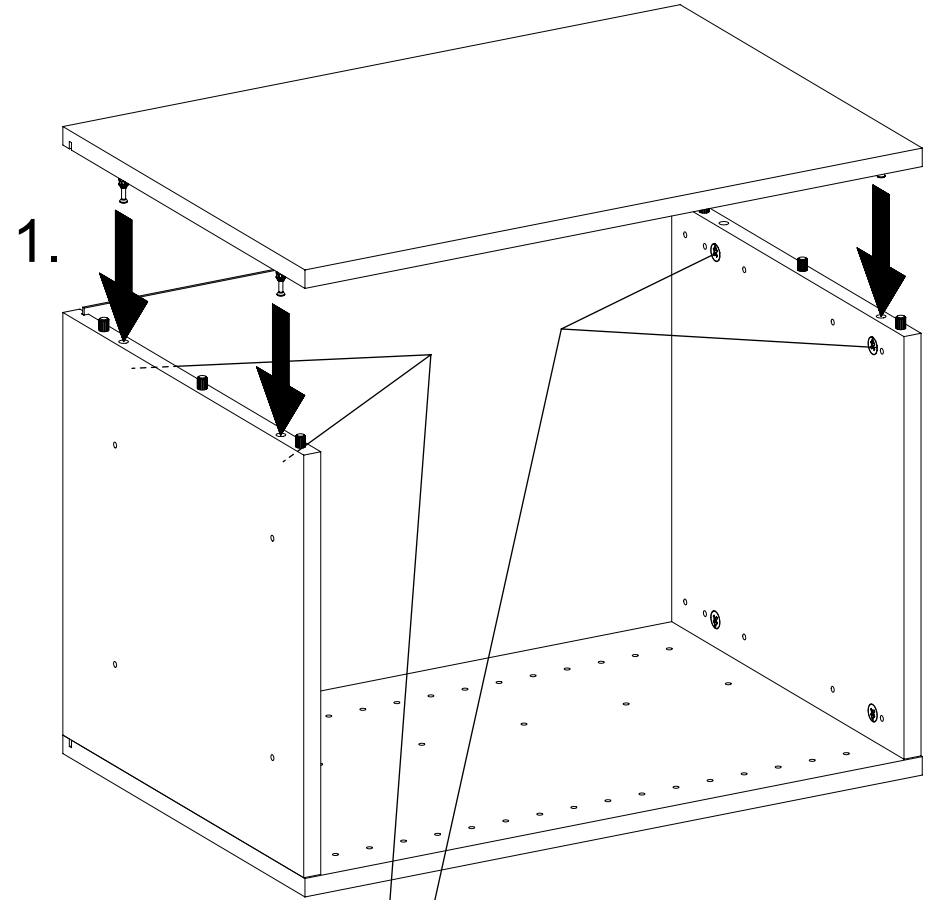
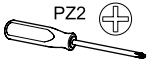




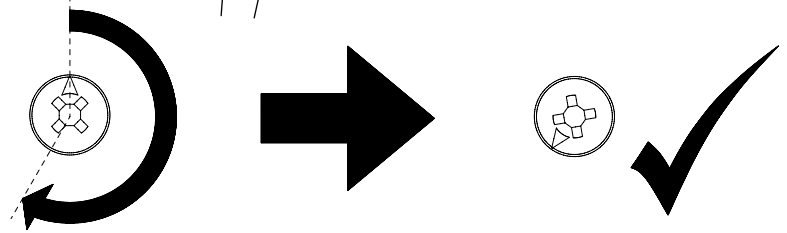
12



13



2.

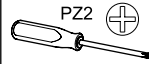
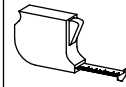


14

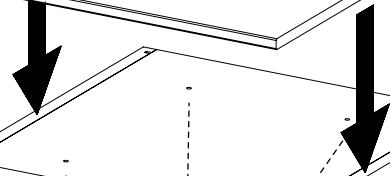
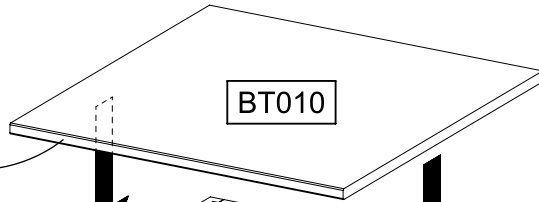
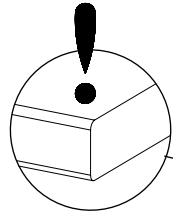
4x

240

4x25



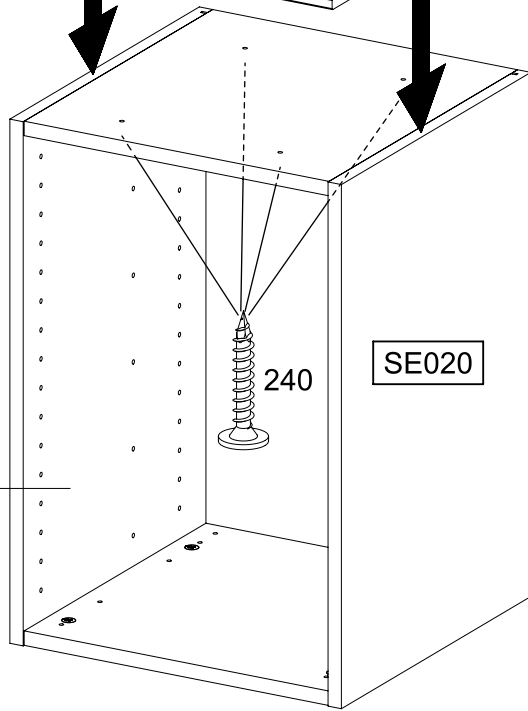
BT010



BT010



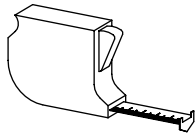
SE020



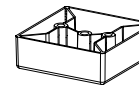
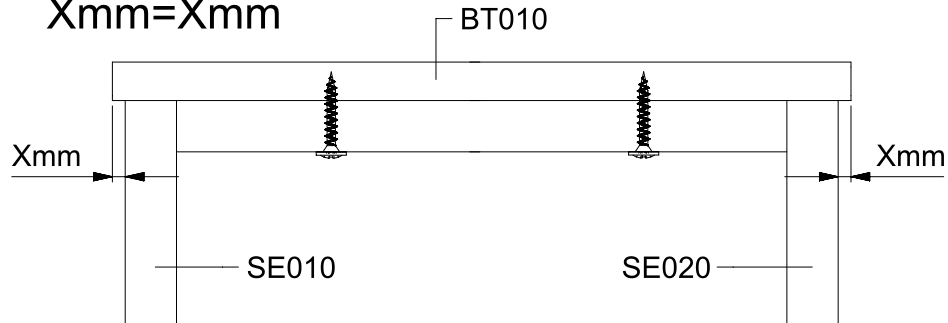
240

SE020

SE010



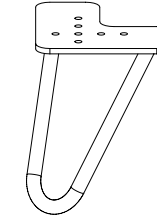
Xmm=Xmm



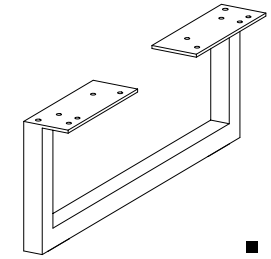
1207



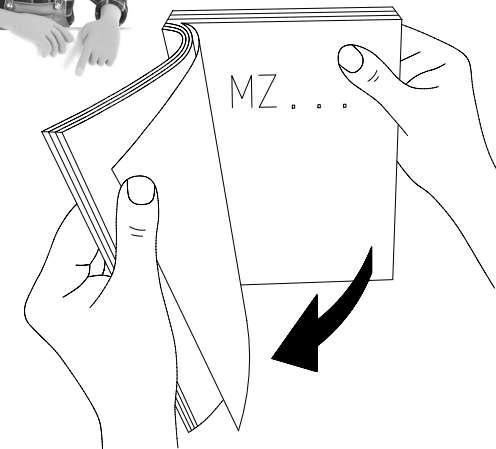
1481



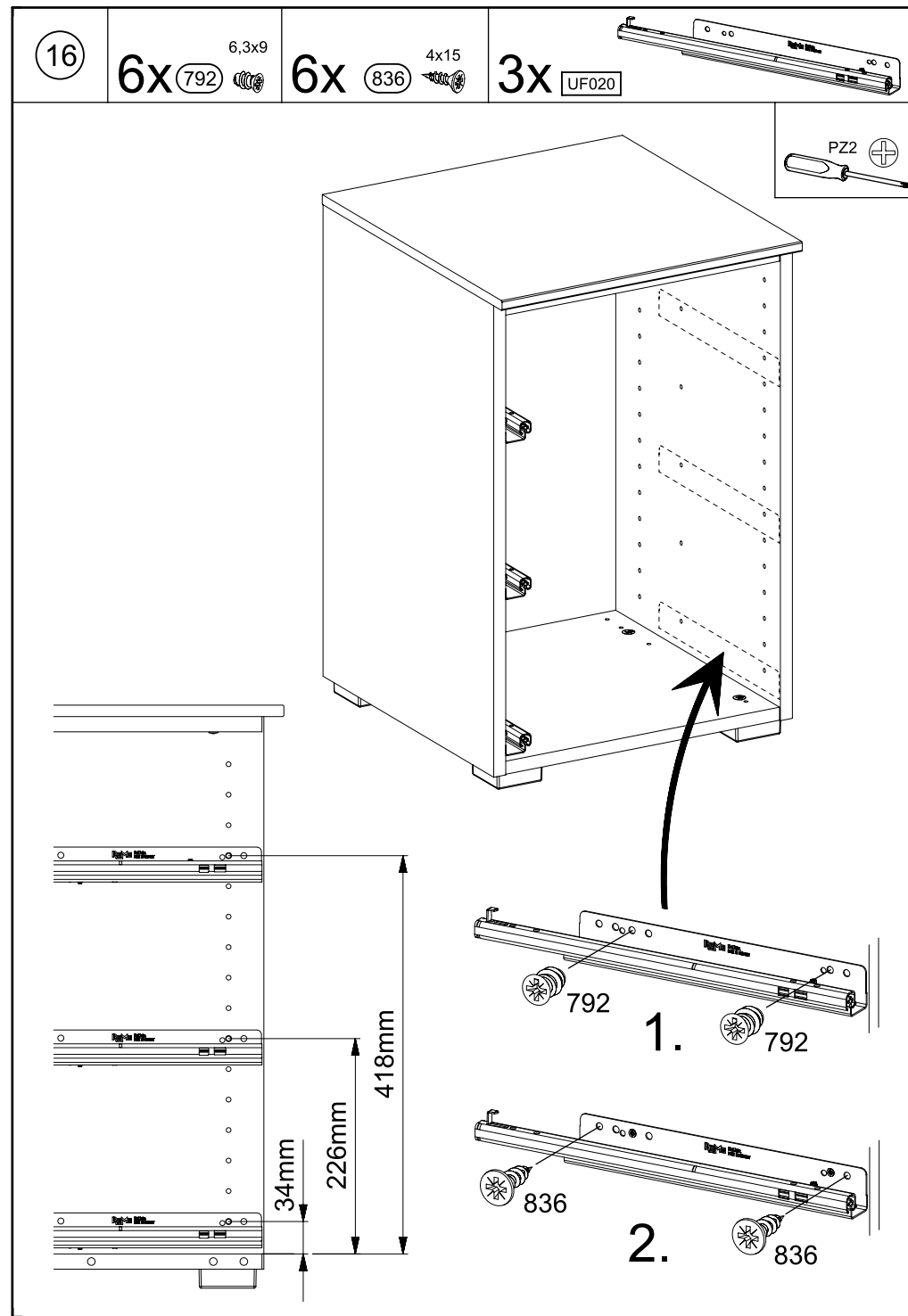
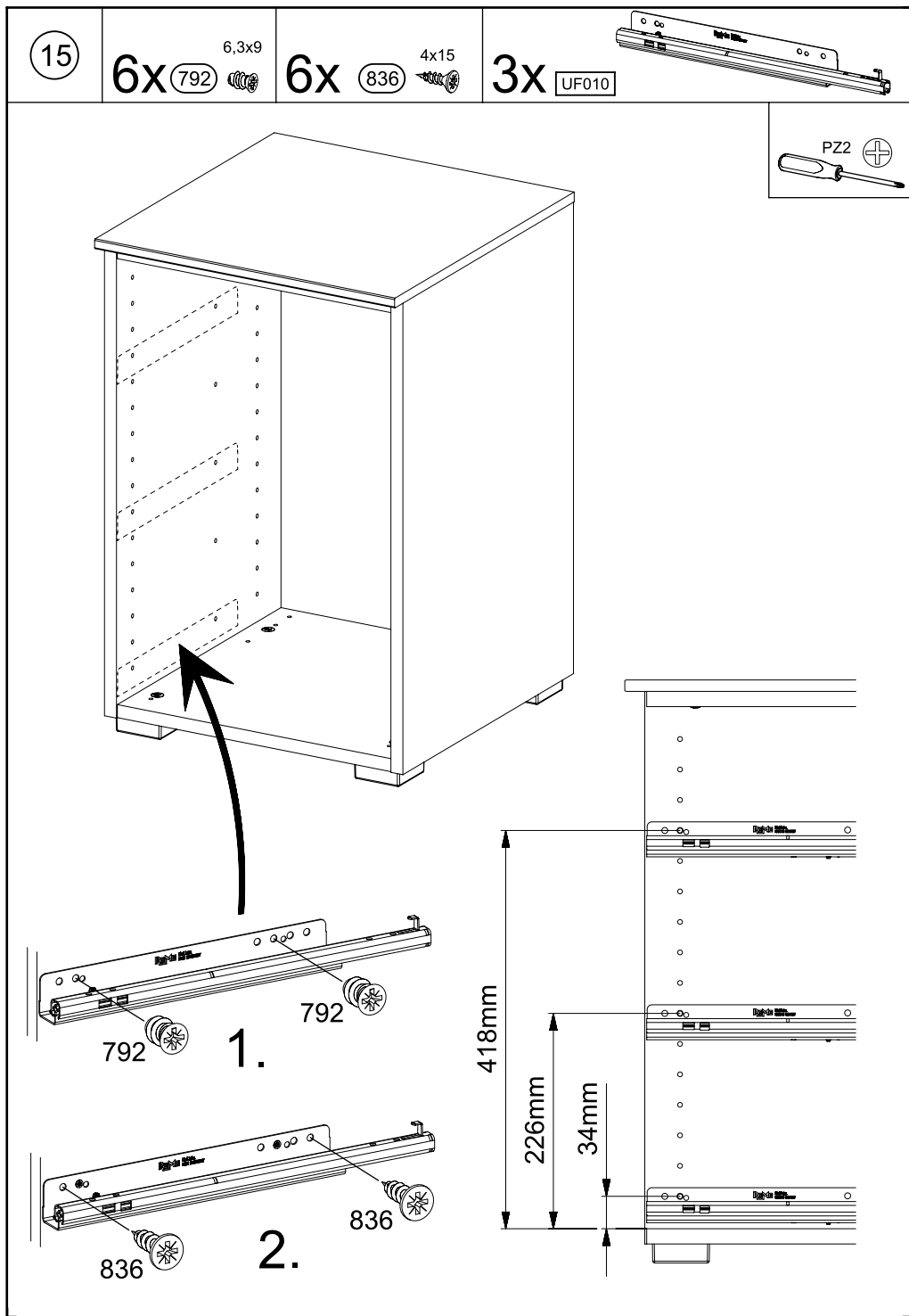
1345



1348

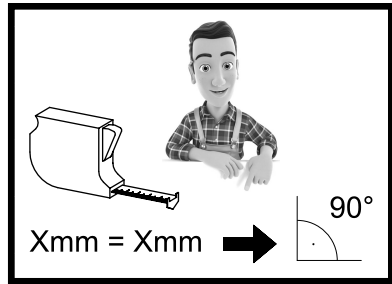
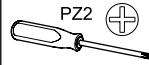




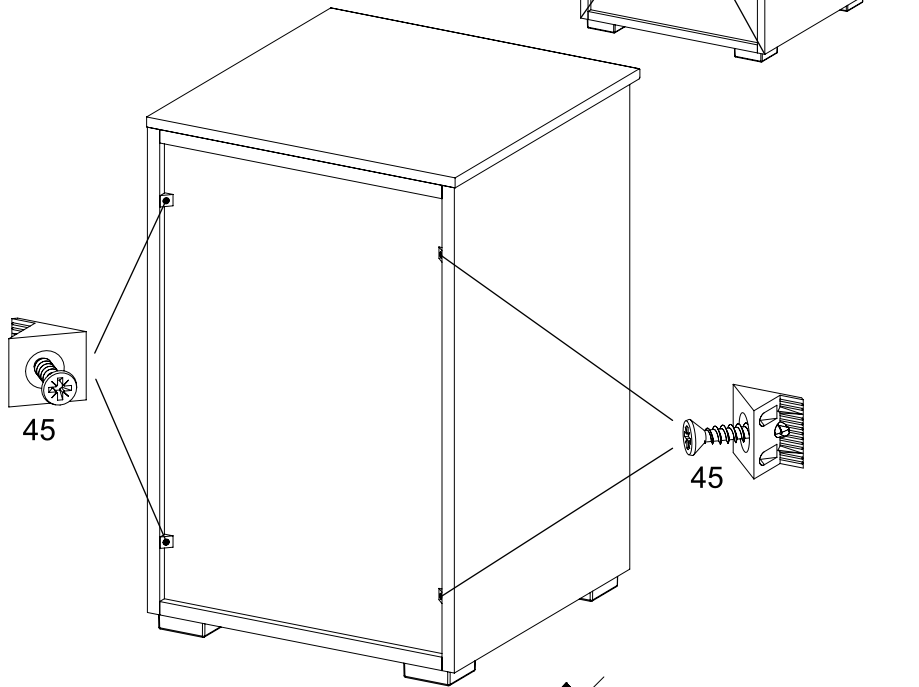
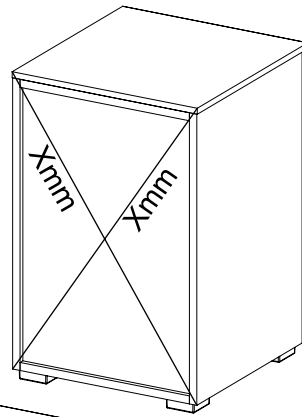


17

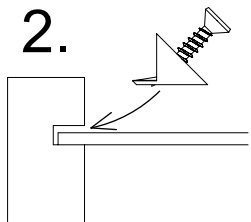
4x 45



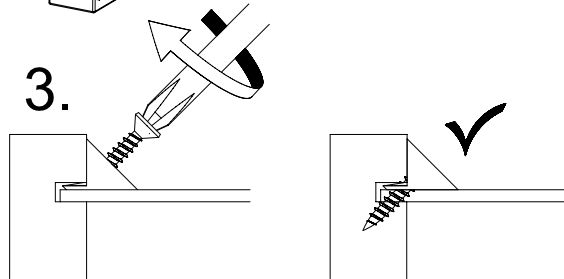
1.



2.

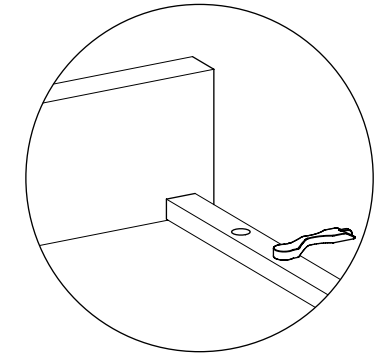
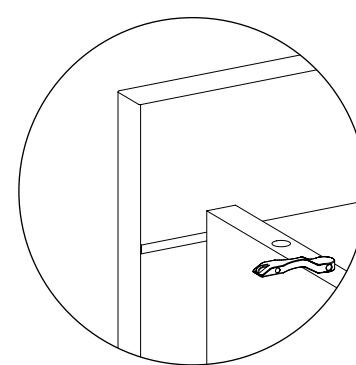
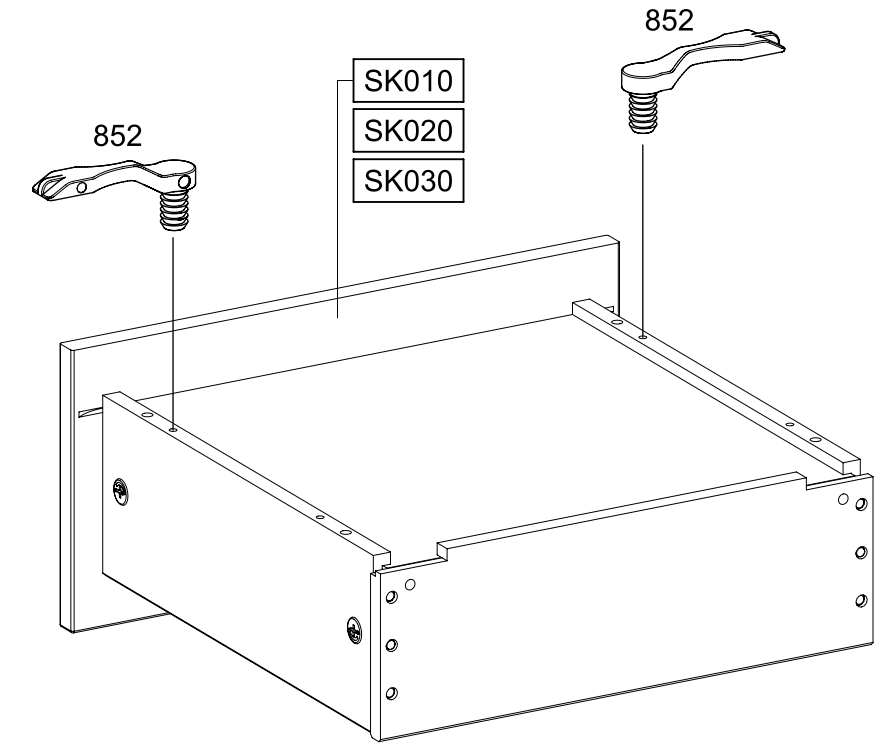


3.

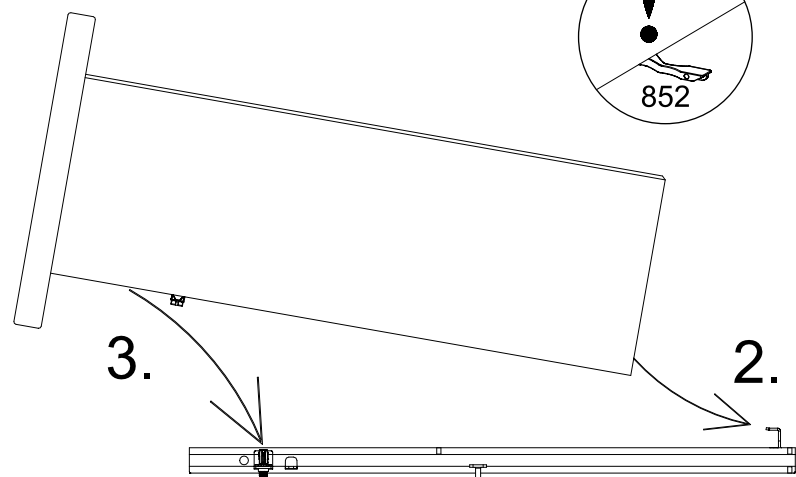
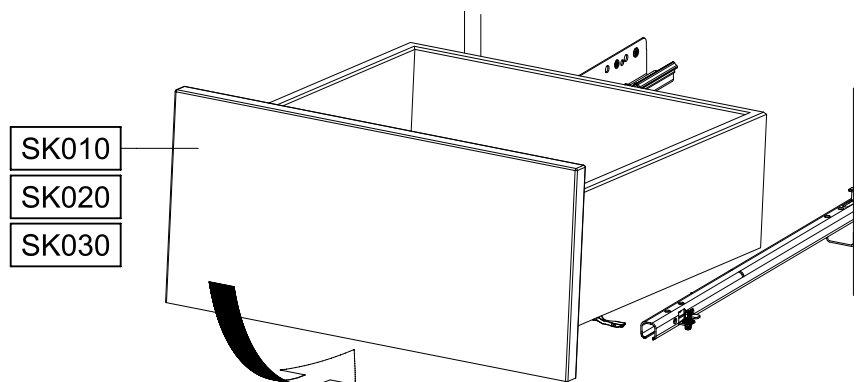
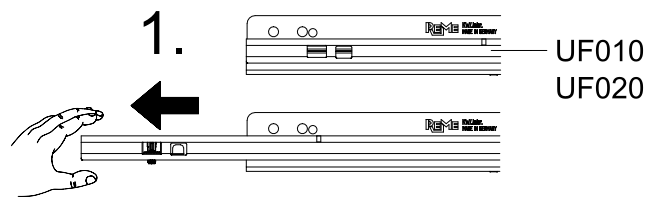


18

4x 852



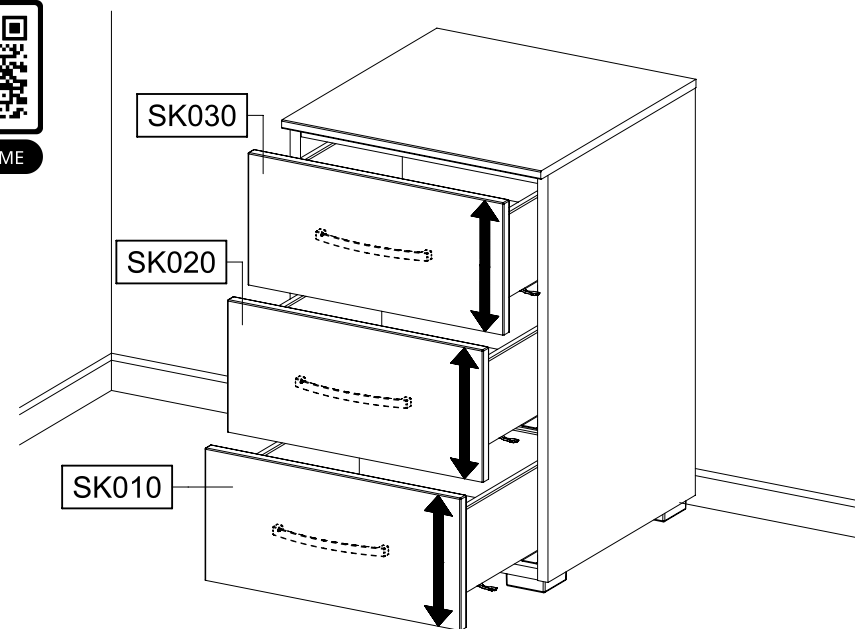
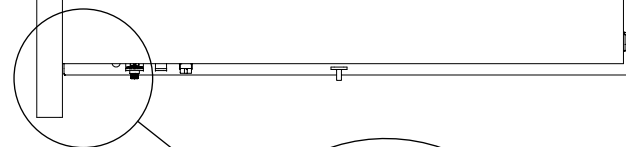
19



20

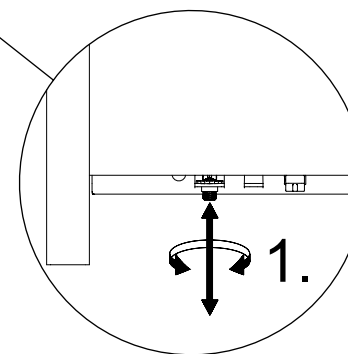


SCAN ME

SK010  
SK020  
SK030

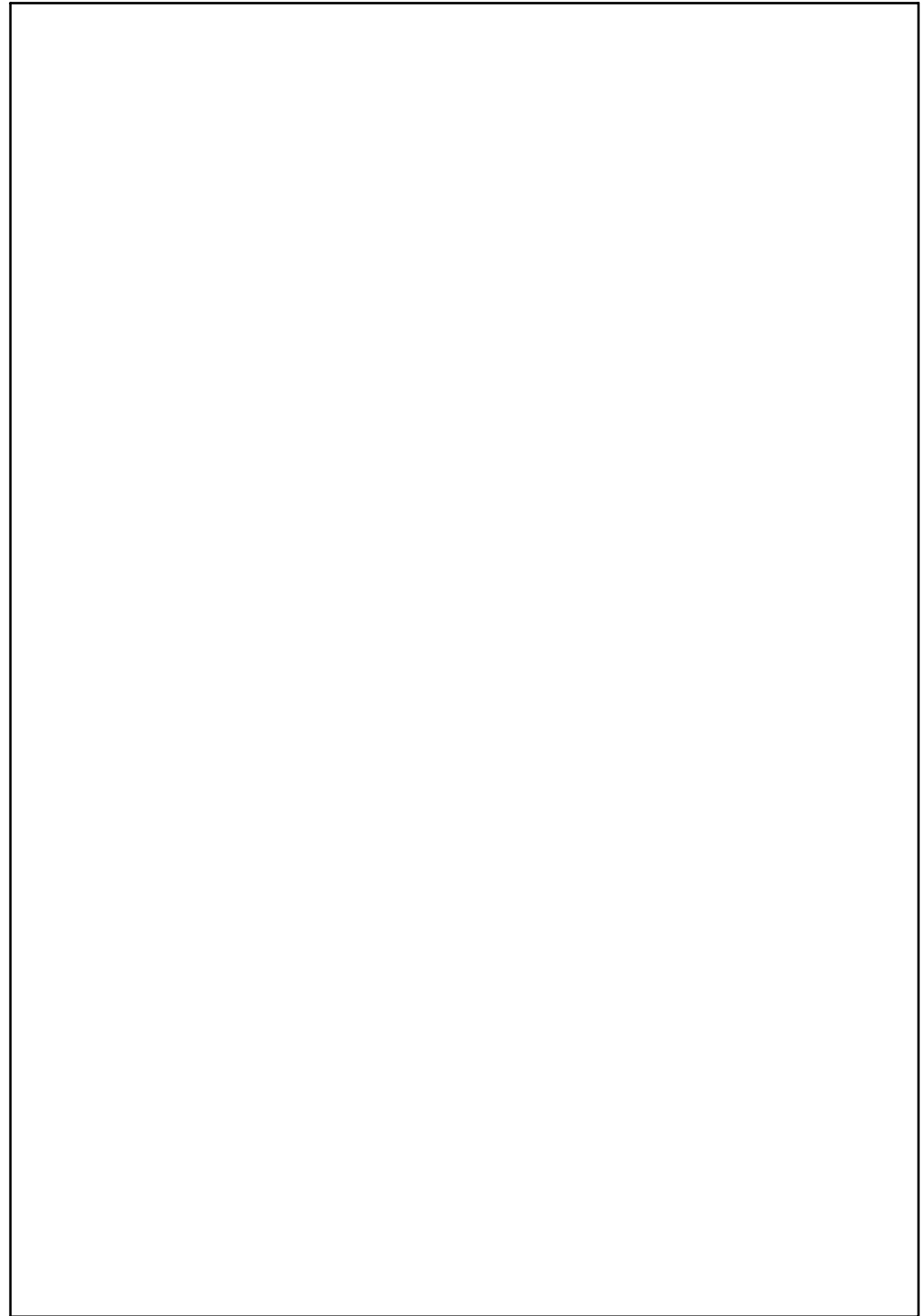
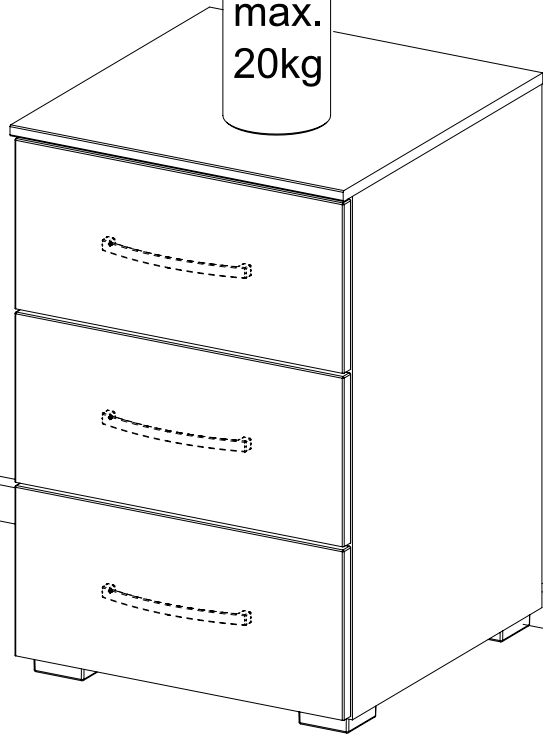
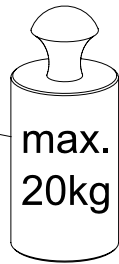
2.

852

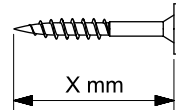
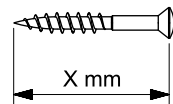
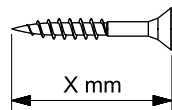
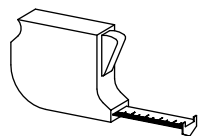
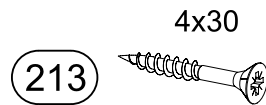
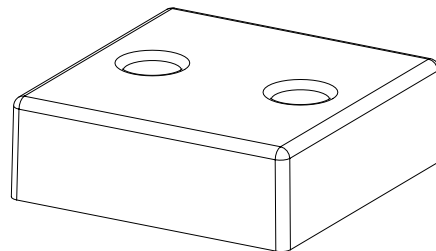
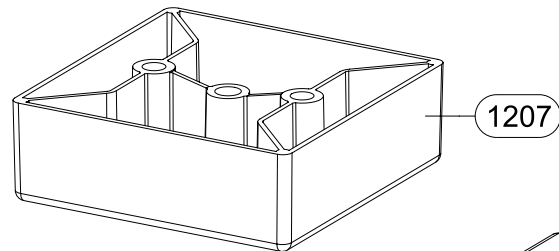
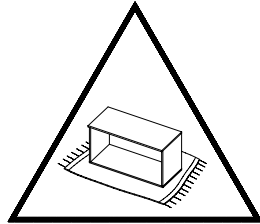
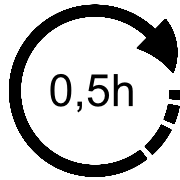
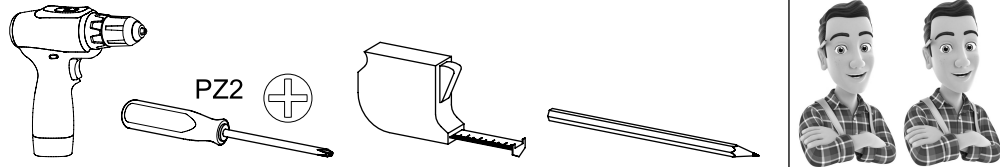


2.

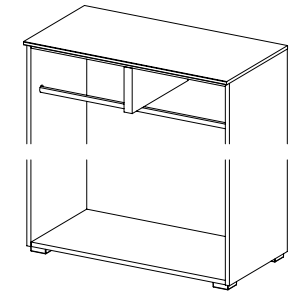
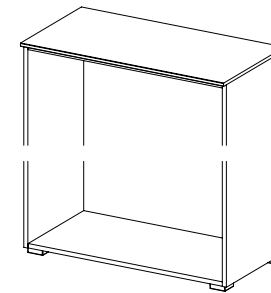
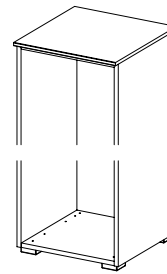
852



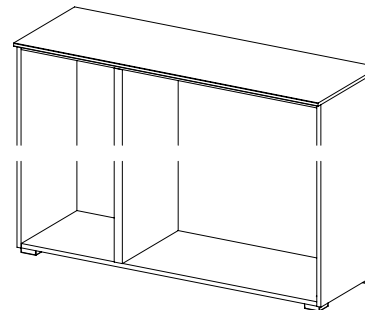
## MZ344\_01



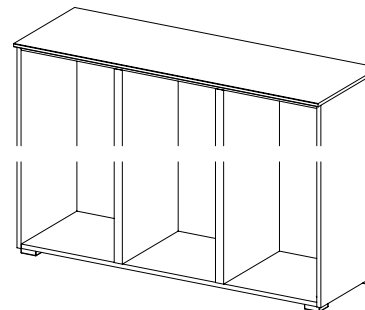
## TYP I 4x 1207

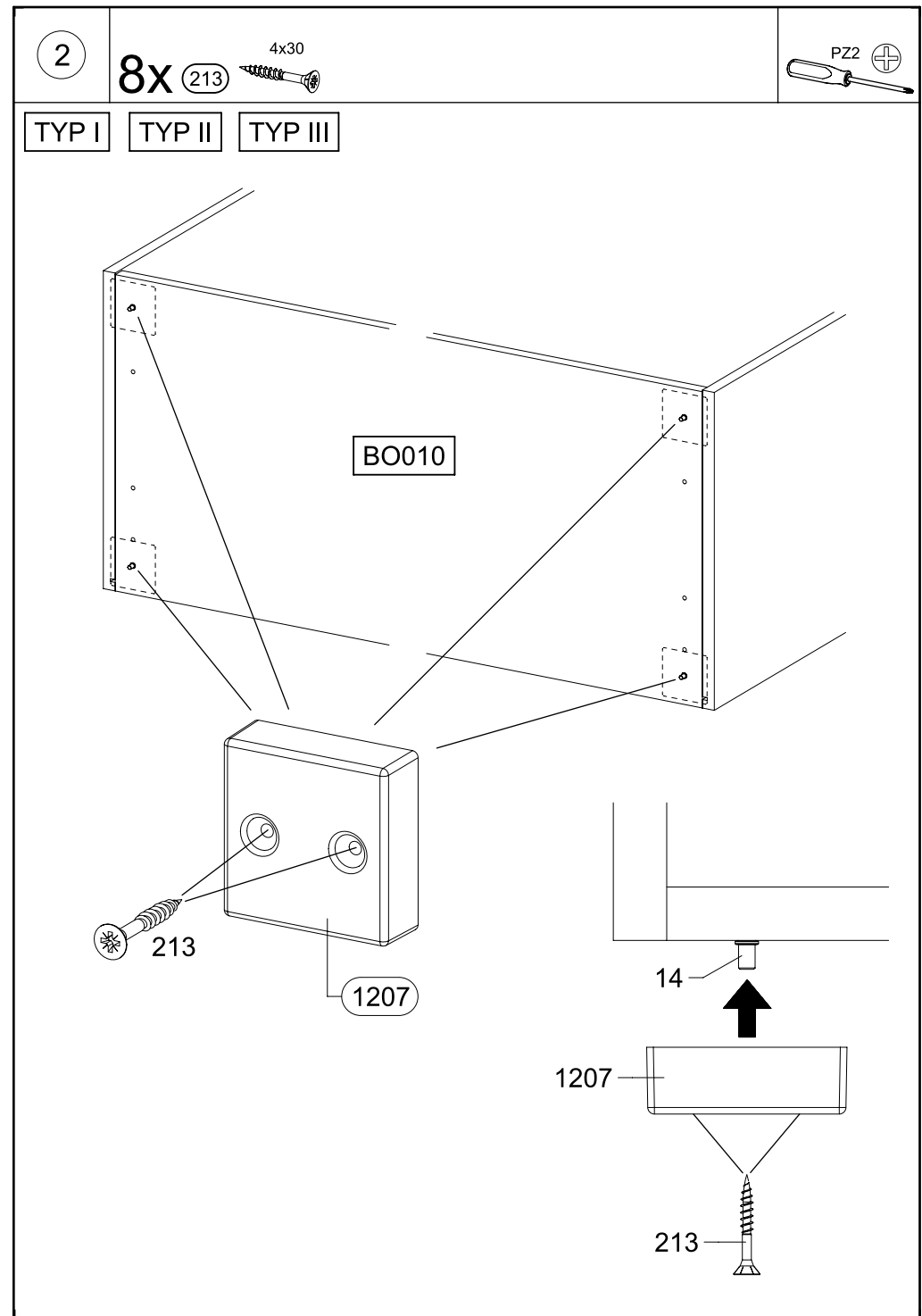
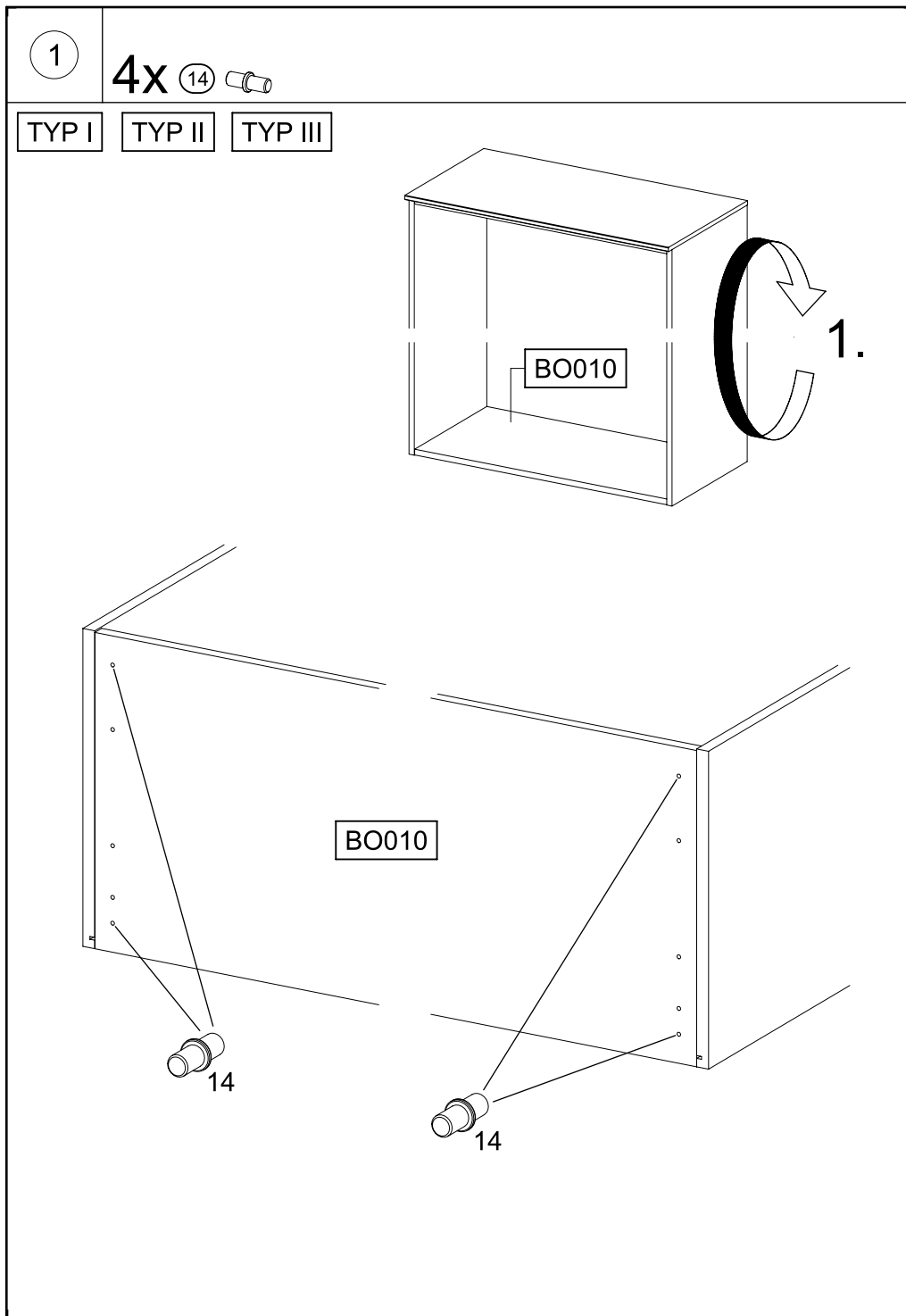


## TYP II 5x 1207




## TYP III 6x 1207

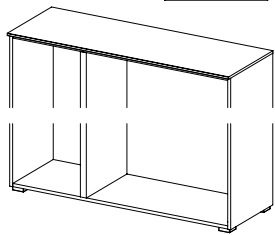




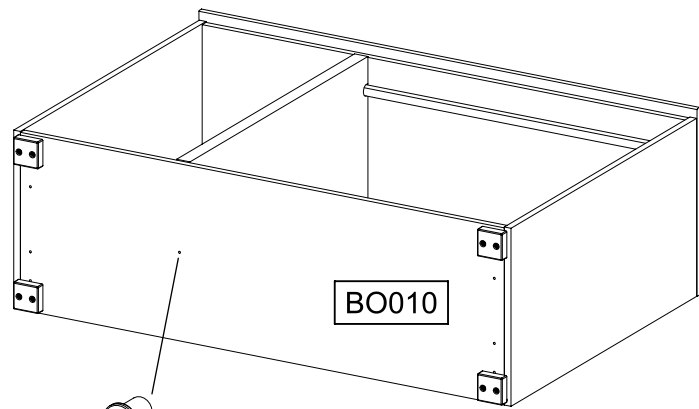
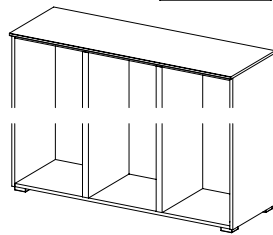
3

1-2x 14 

TYP II



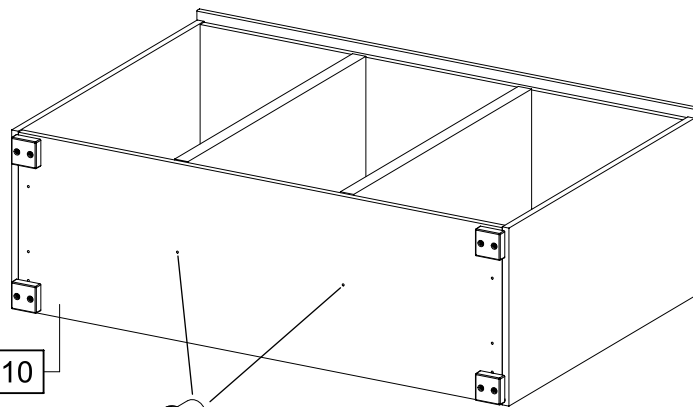
TYP III



BO010



14

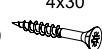
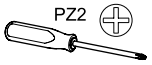


BO010



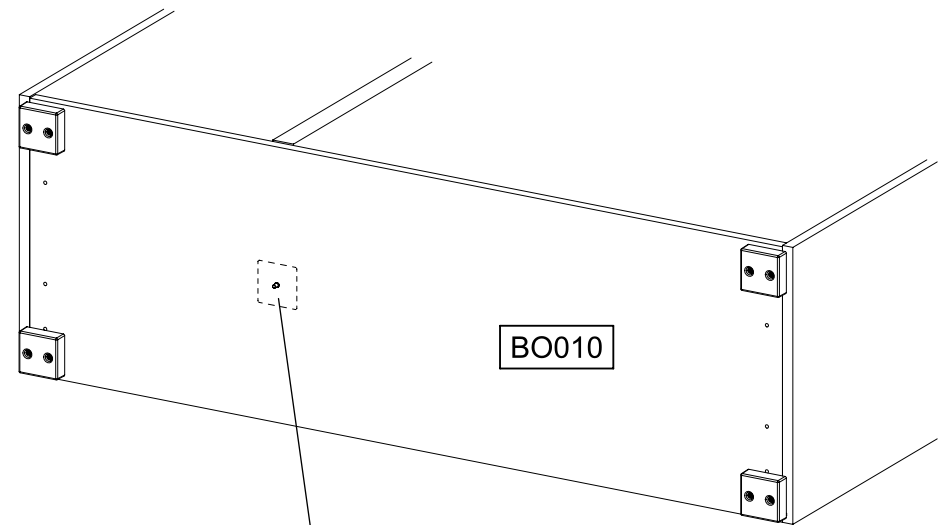
14

4

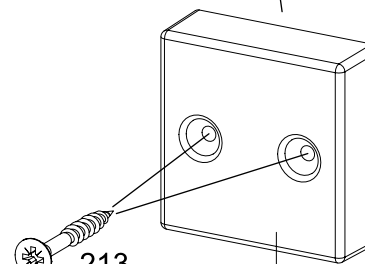
2x 213  4x30

PZ2

TYP II



BO010



213

1207

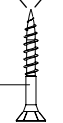


14



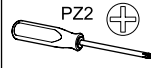
1207

213



5

4x (213) 4x30



TYP III

