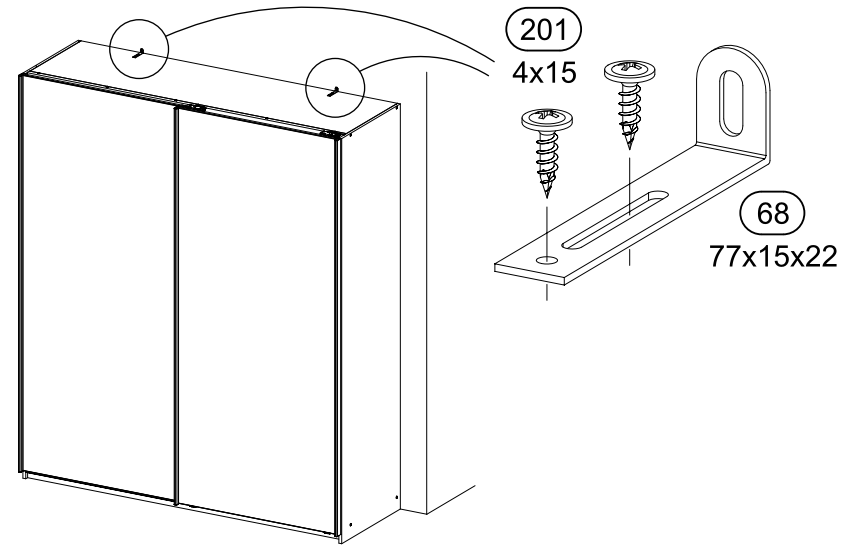
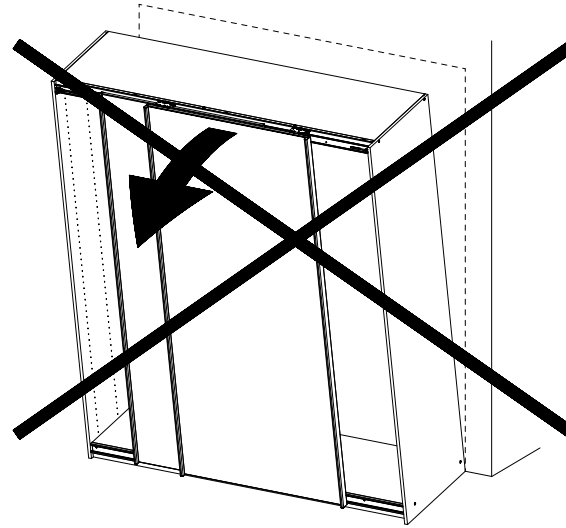
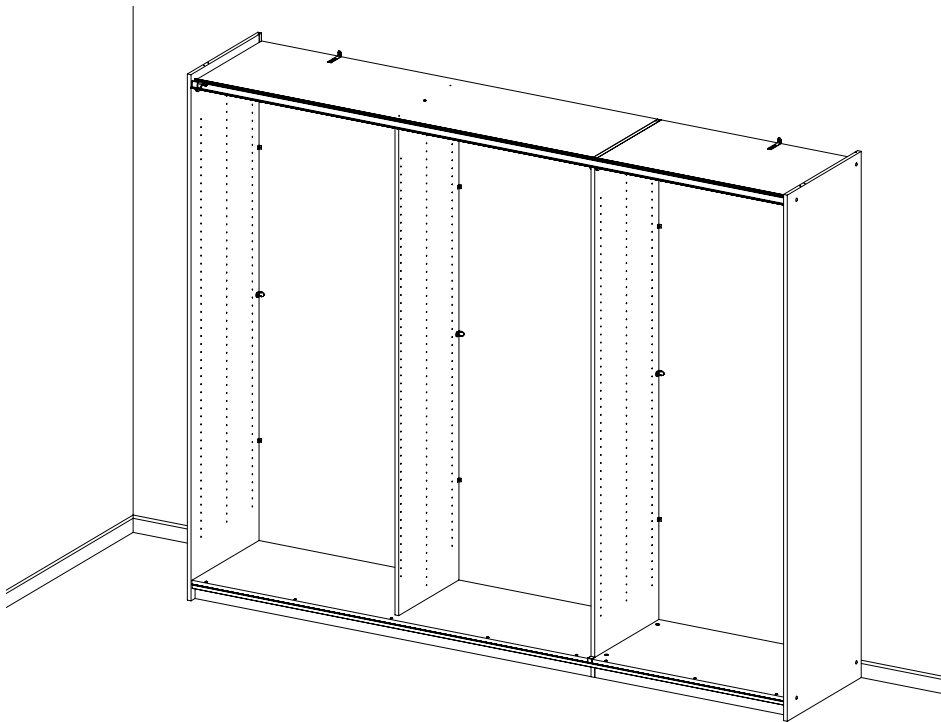
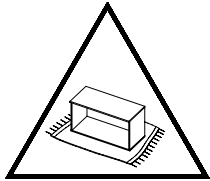
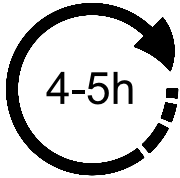
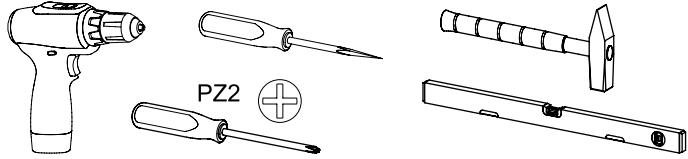


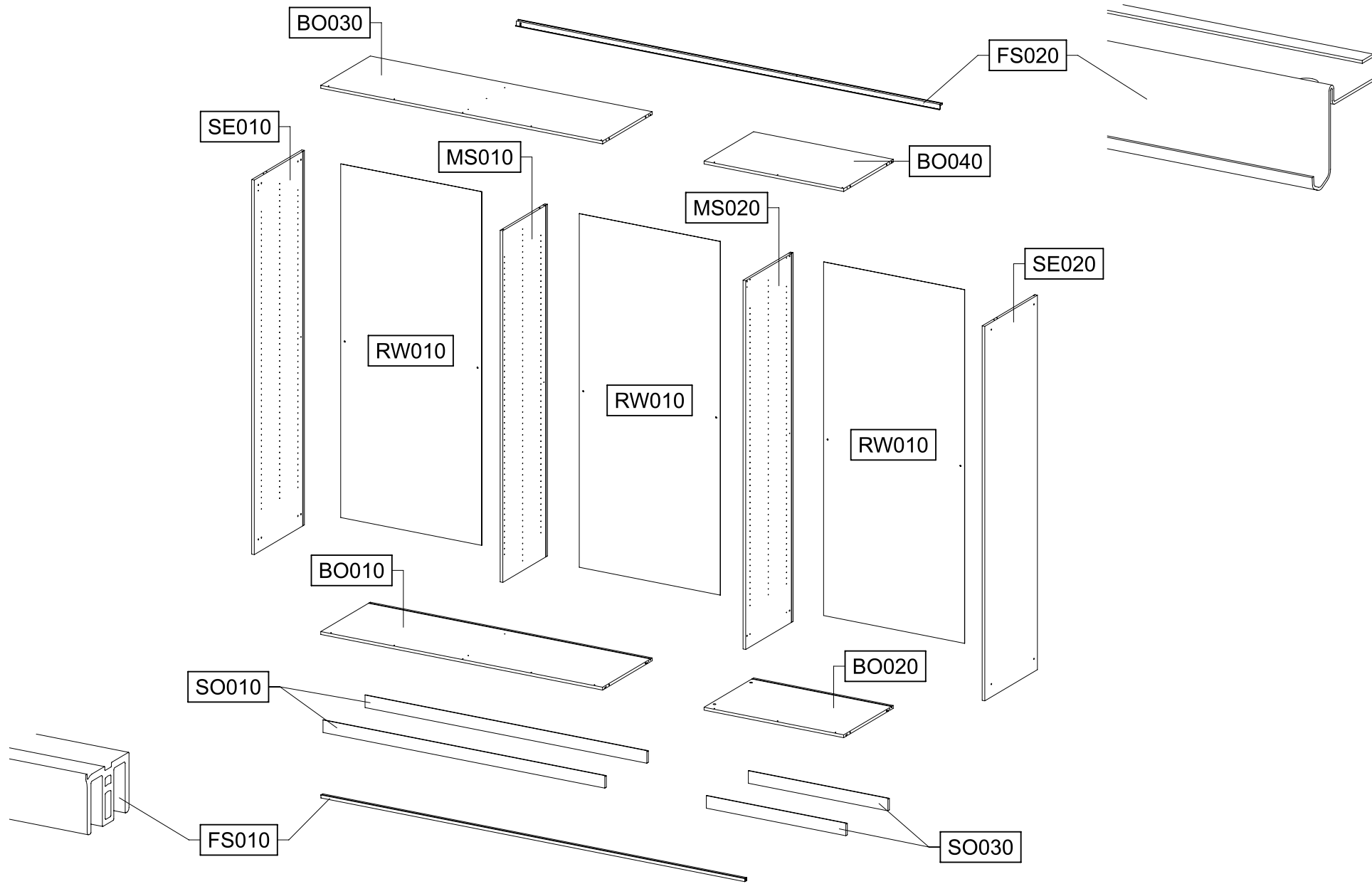
M2664_03

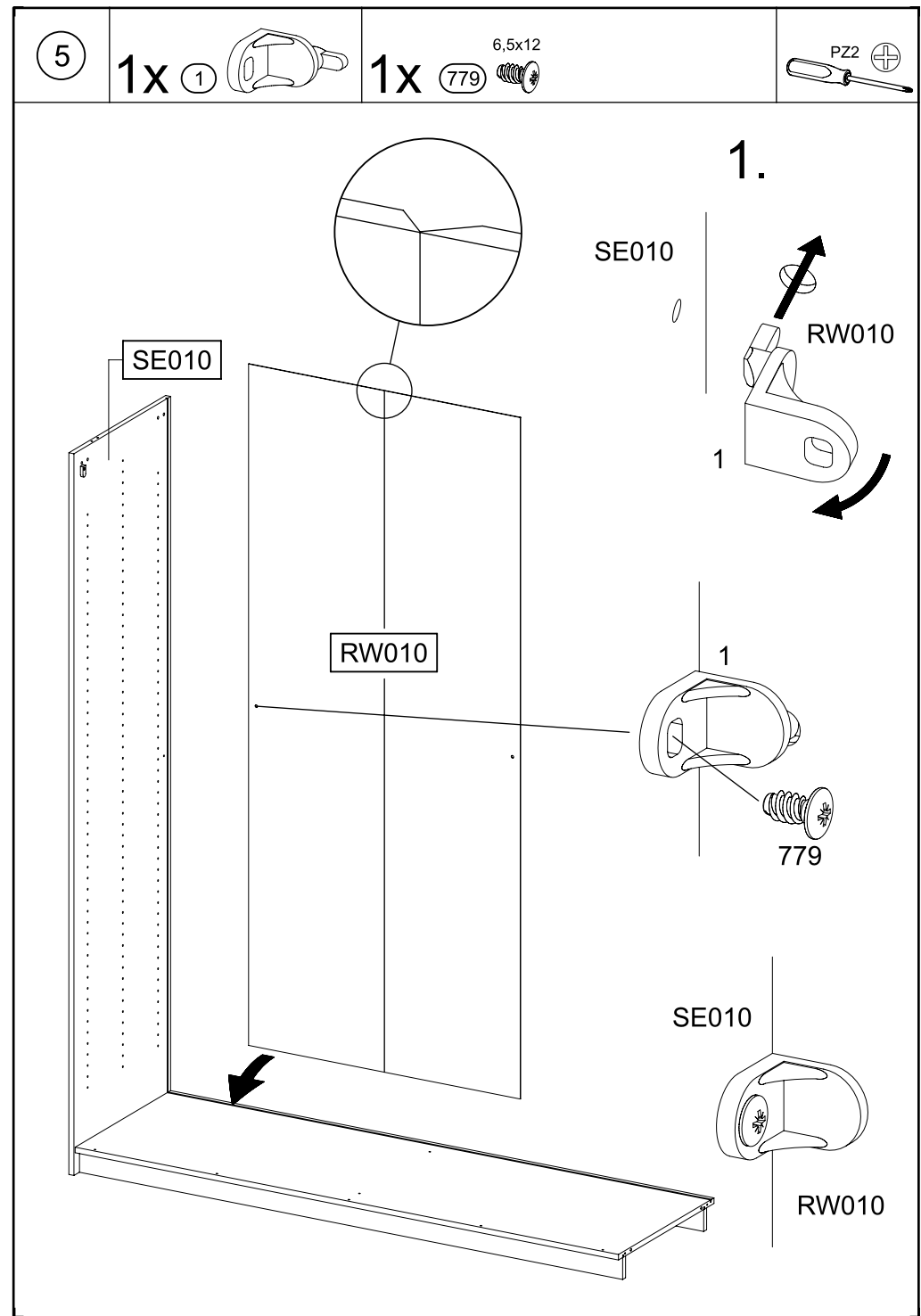
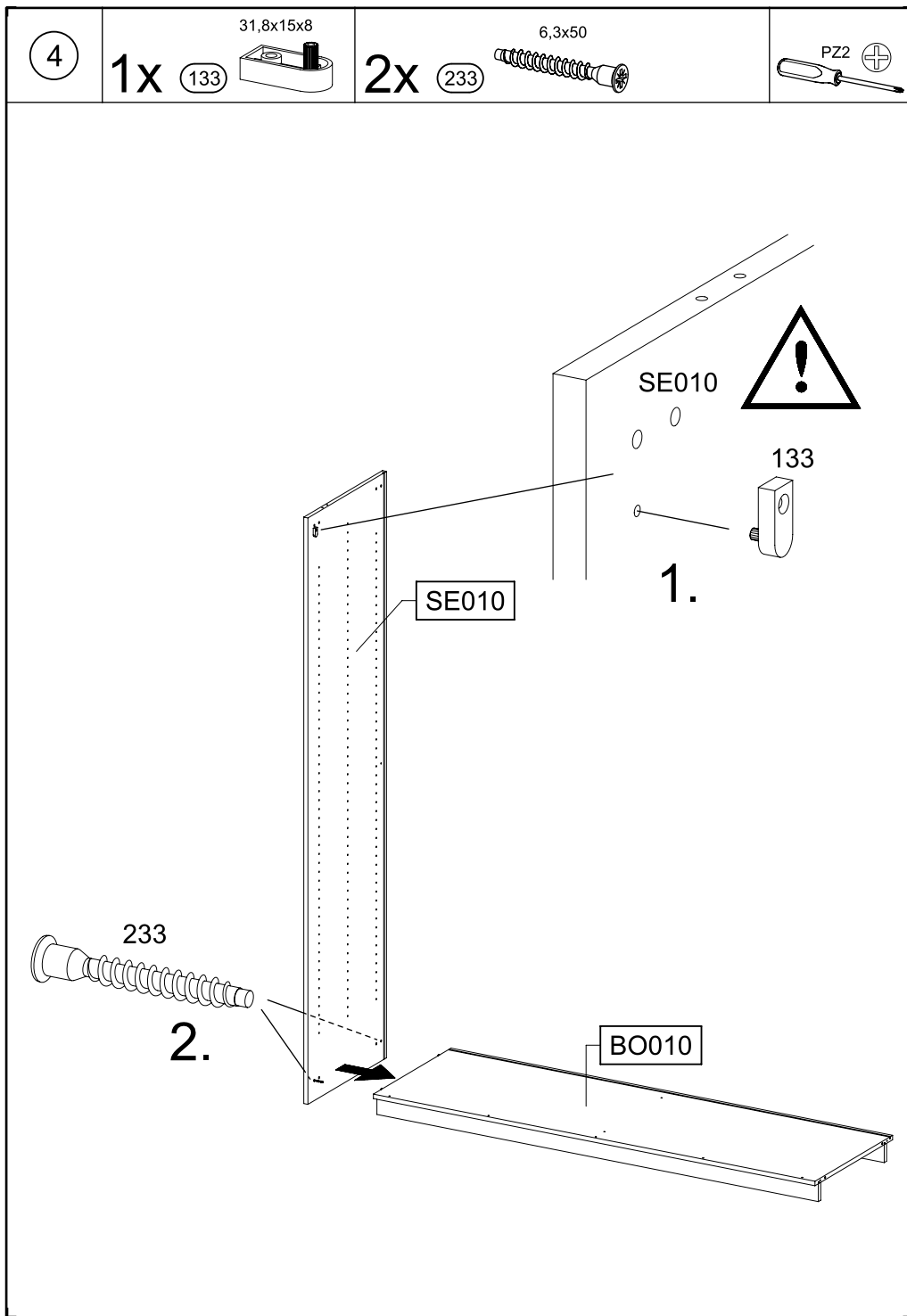


VIDEO



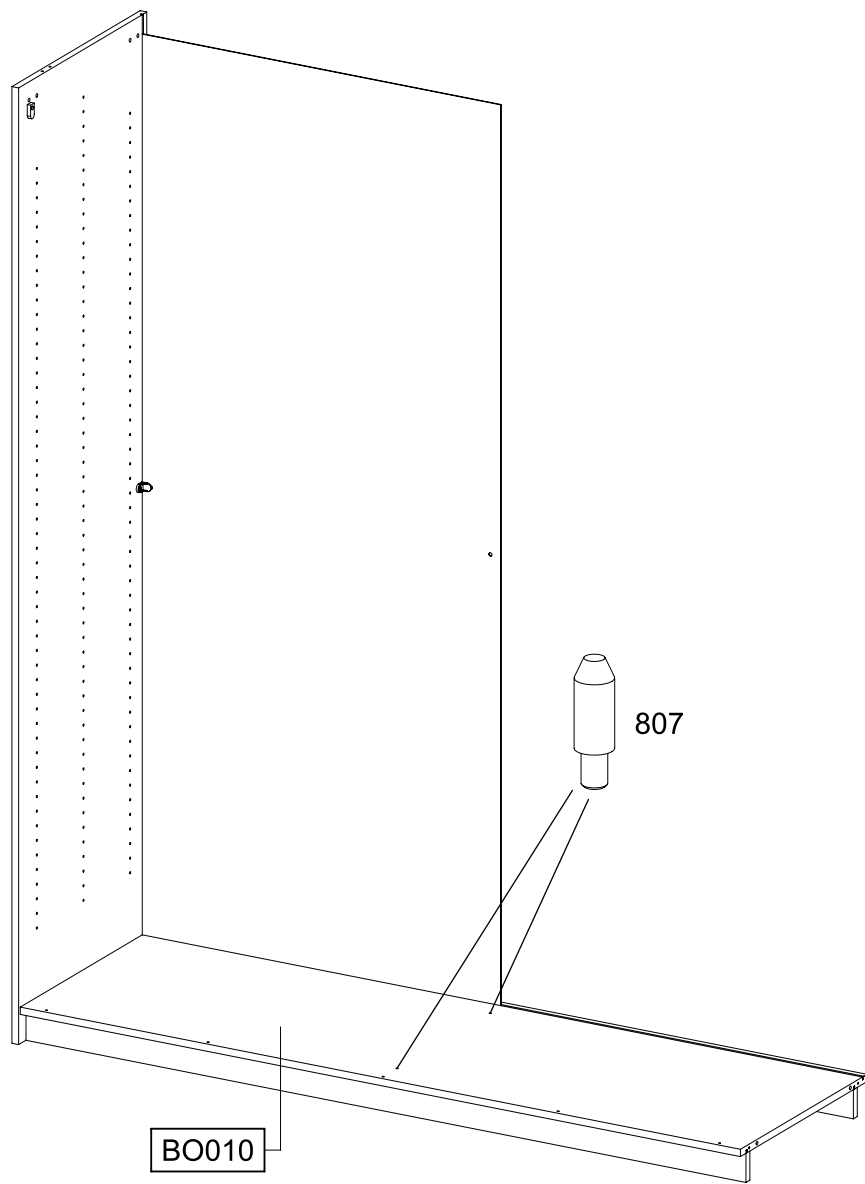
SCAN ME






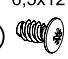
6

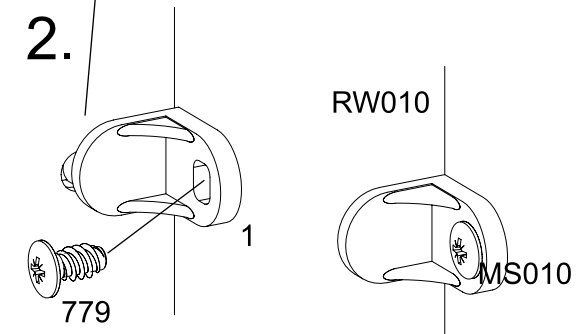
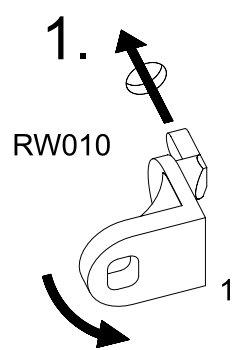
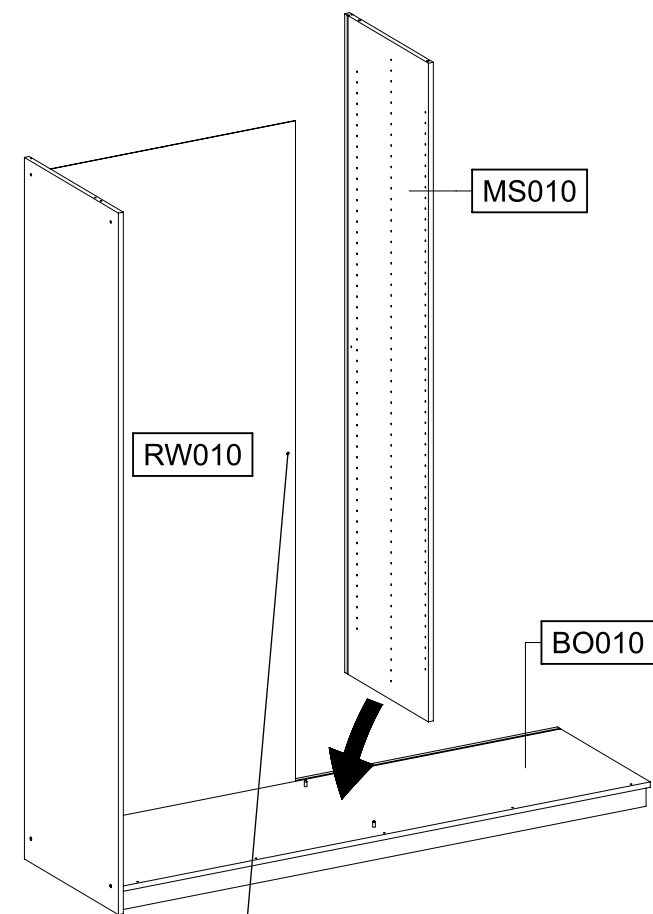
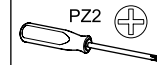
2x 807 



7

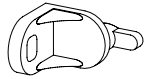
1x 

1x 779  6,5x12

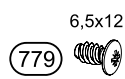


8

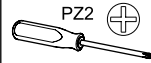
1x 1



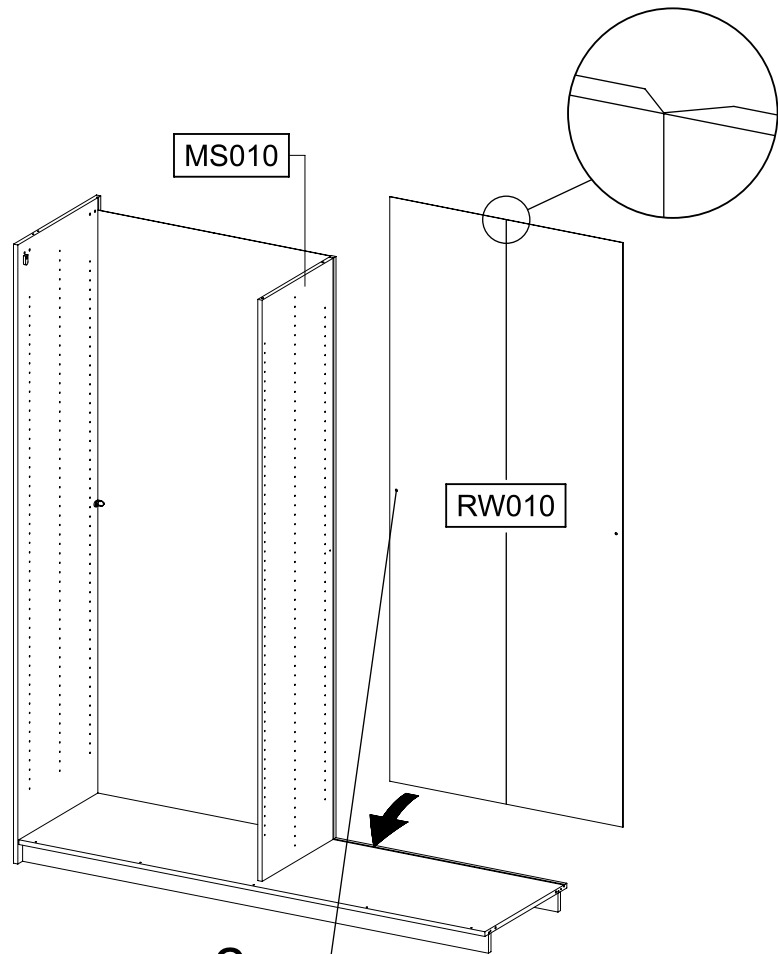
1x 779



6,5x12



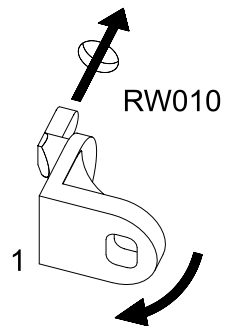
PZ2



1.

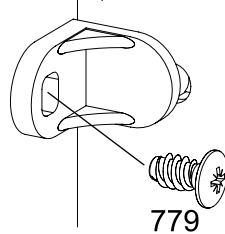
MS010

RW010



2.

1

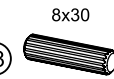


MS010

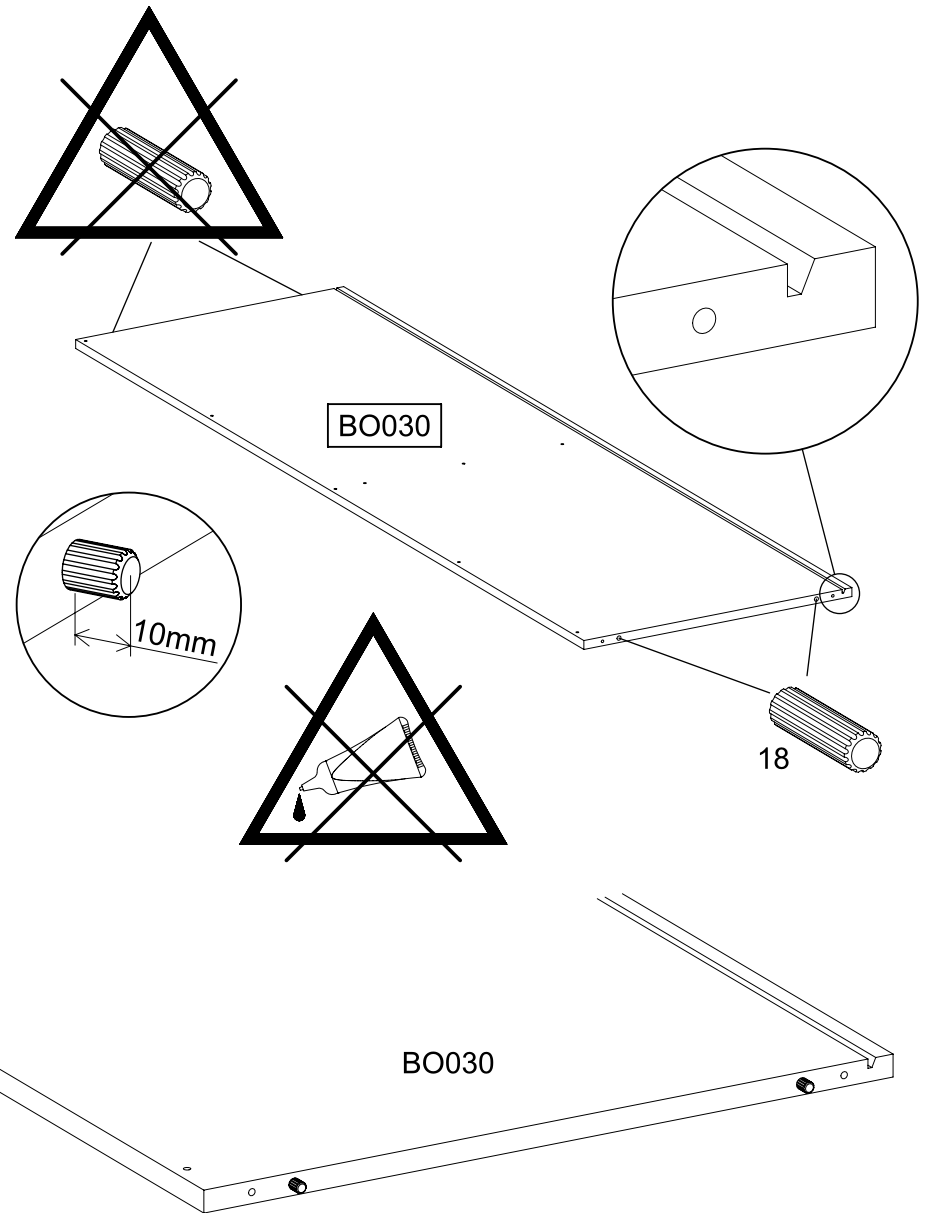
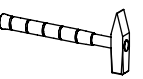
RW010

9

2x 18



8x30



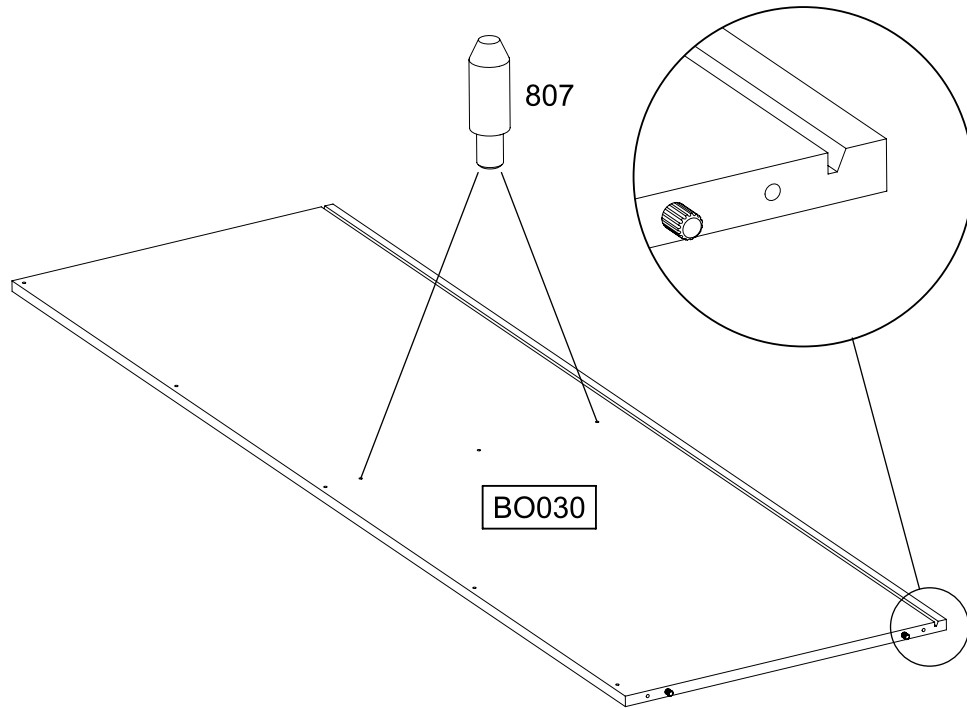
BO030

18

10

2x

807

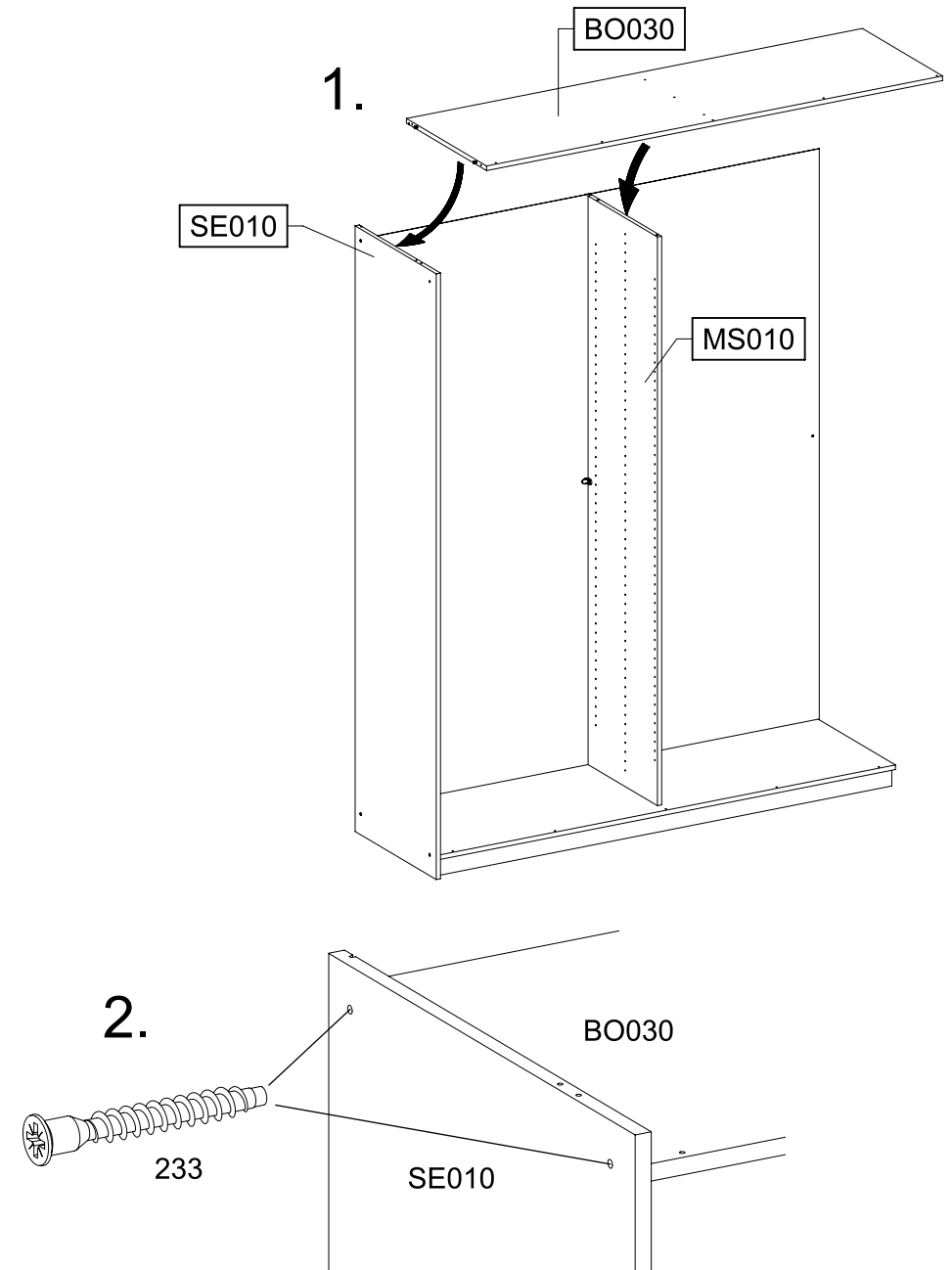
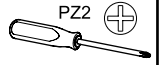


11

2x

233

6,3x50

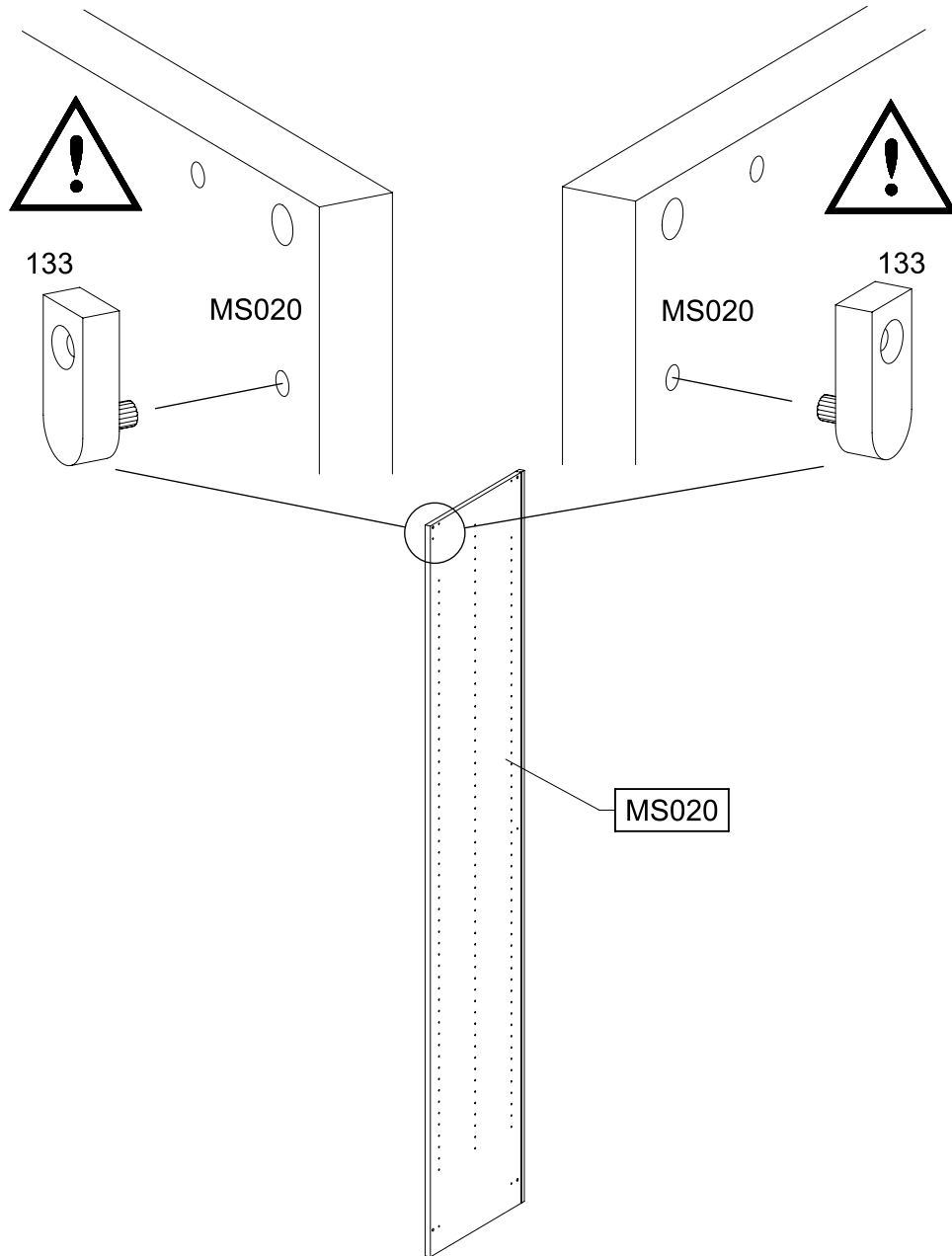
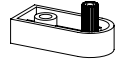


12

2x

133

31,8x15x8

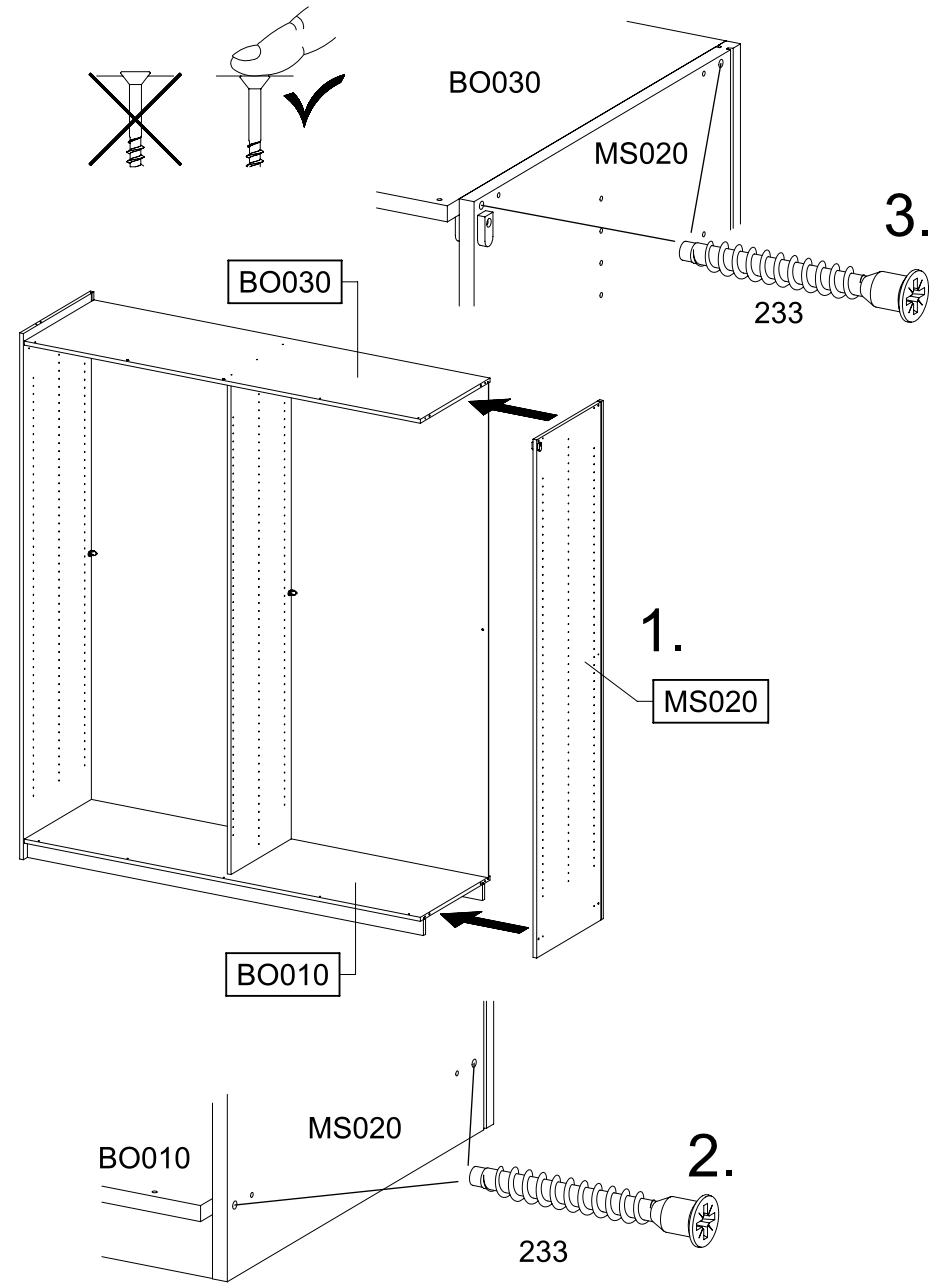
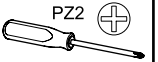
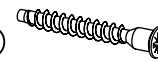


13

4x

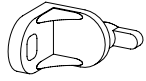
233

6,3x50



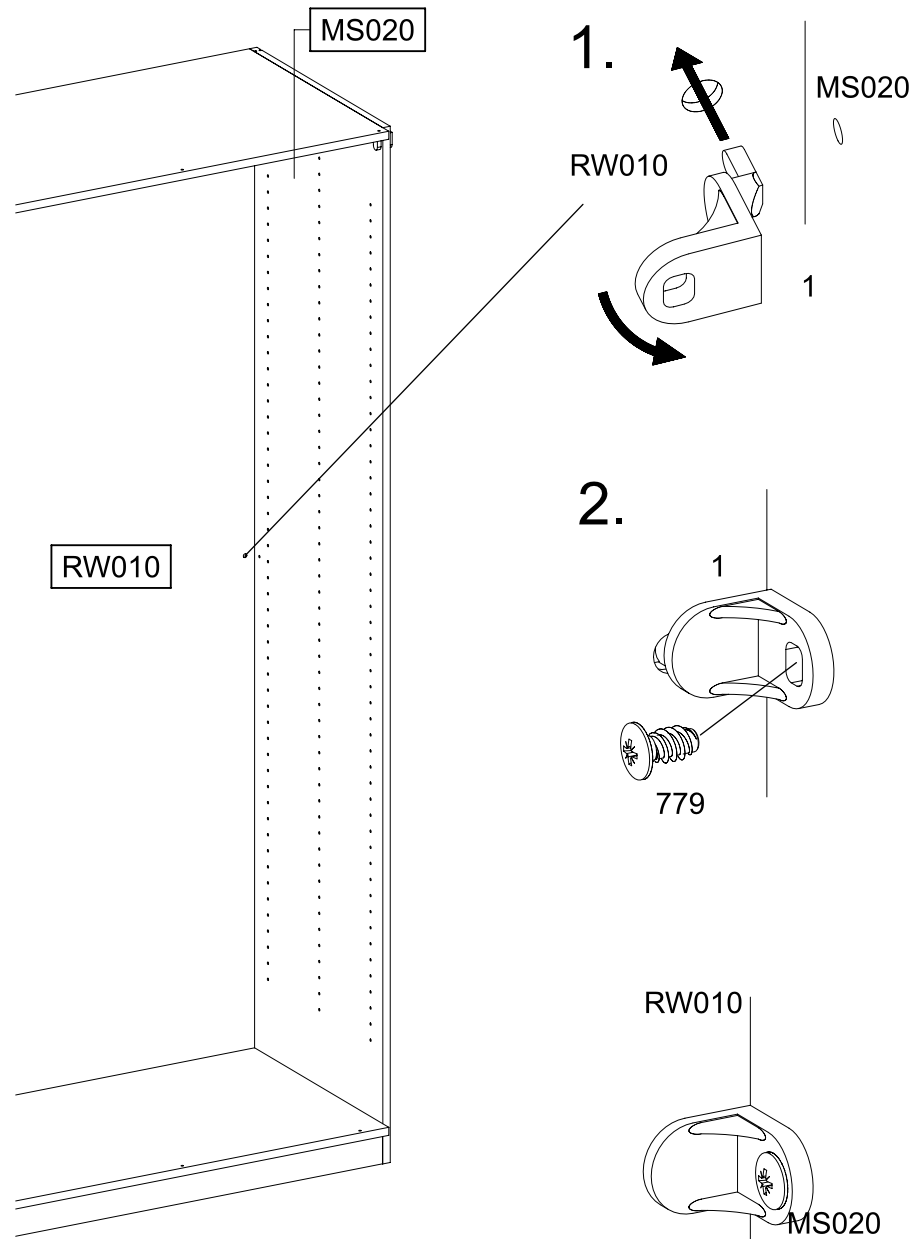
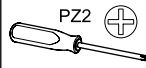
14

1x ①



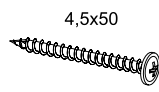
1x ②

6,5x12

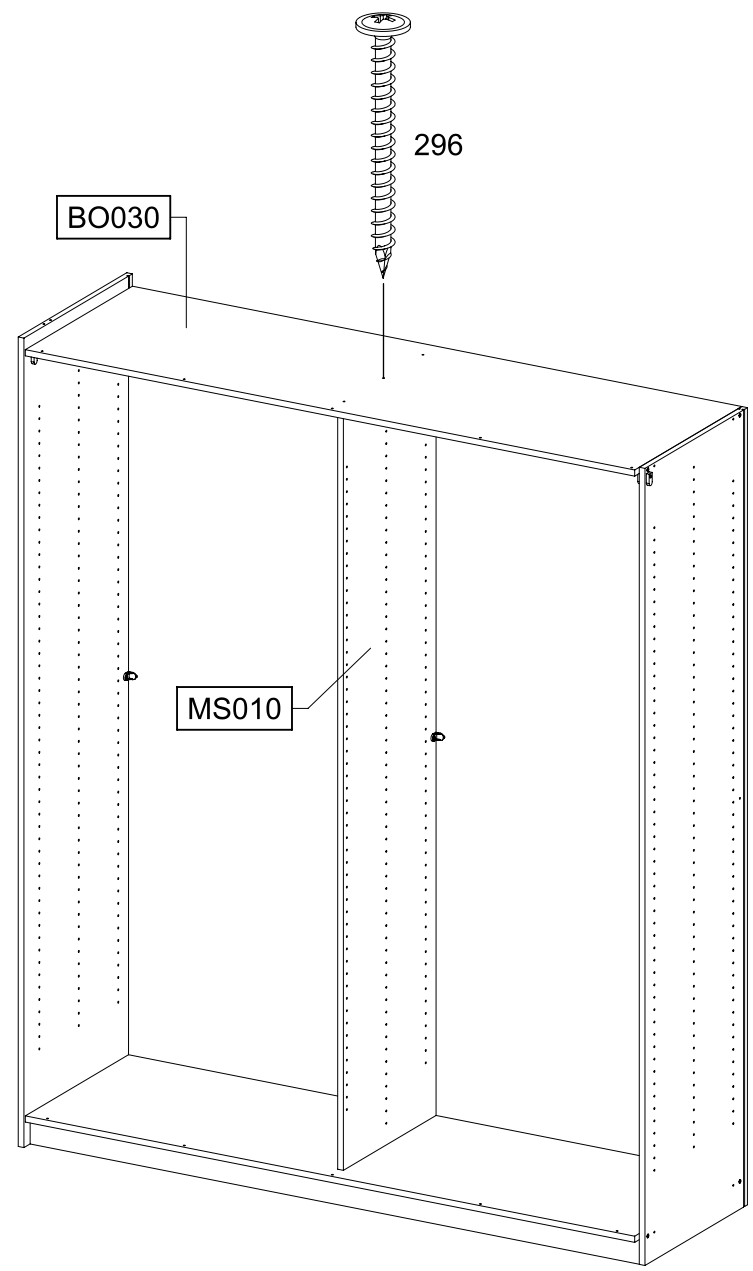
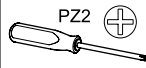


15

1x ③



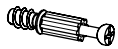
4,5x50



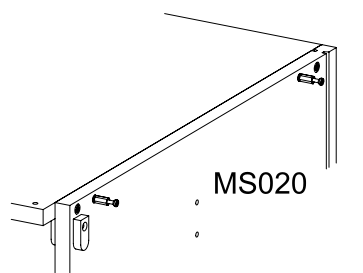
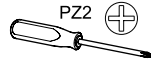
16

4x

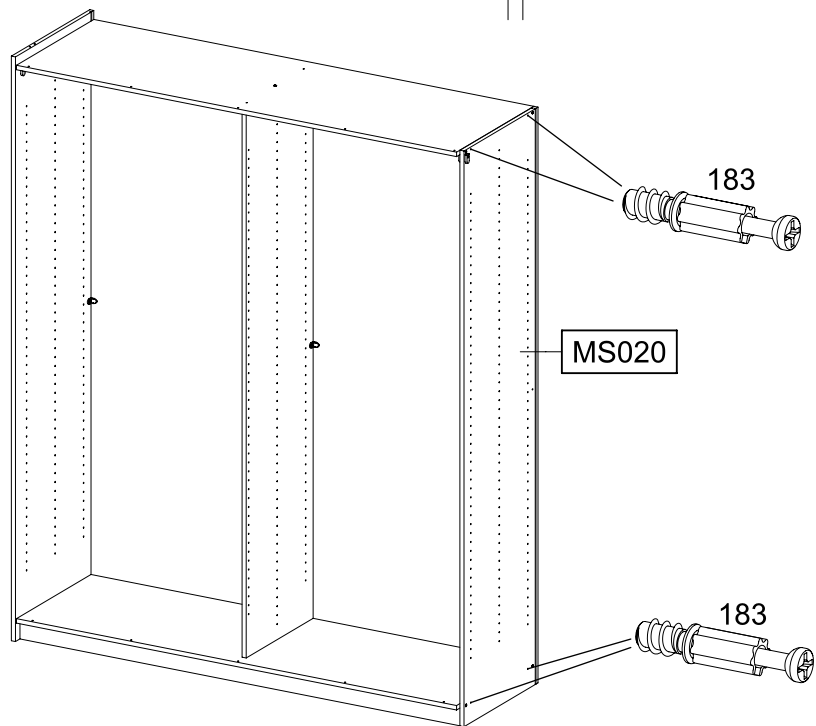
183



PZ2



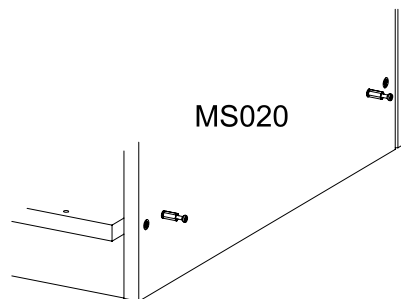
MS020



183

MS020

183



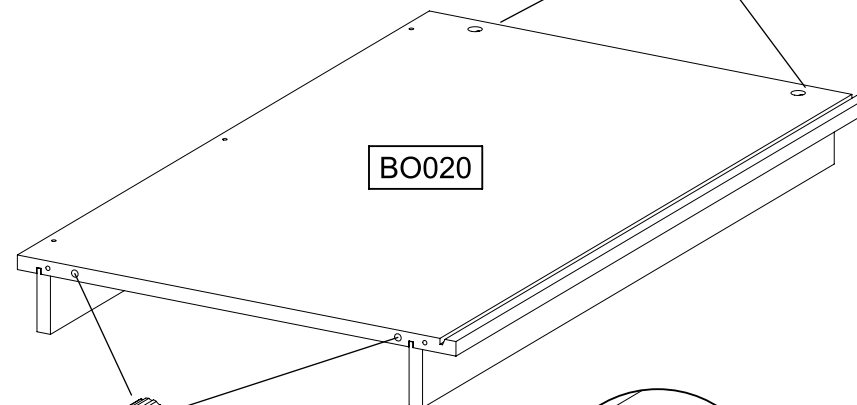
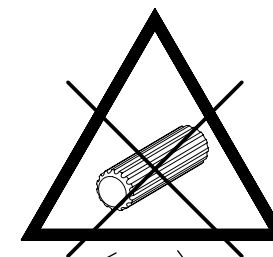
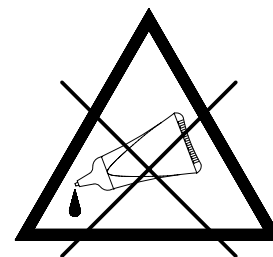
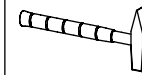
MS020

17

2x

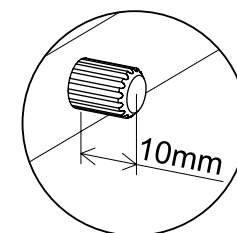
18

8x30

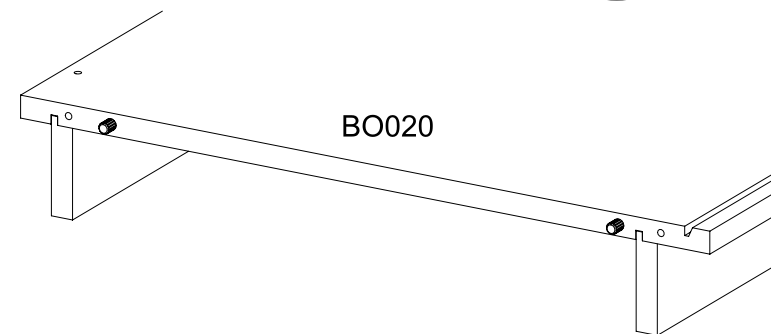


BO020

18



10mm

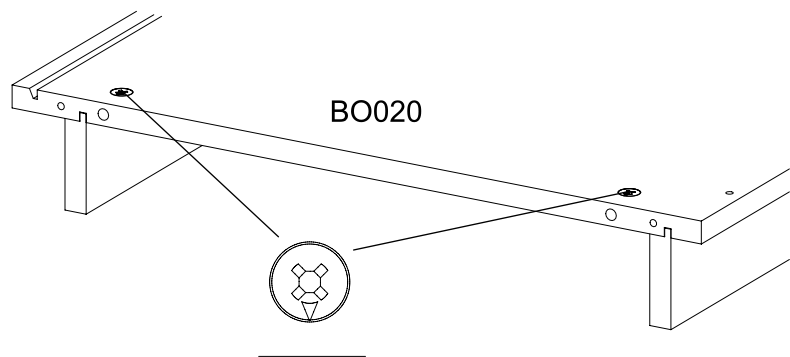
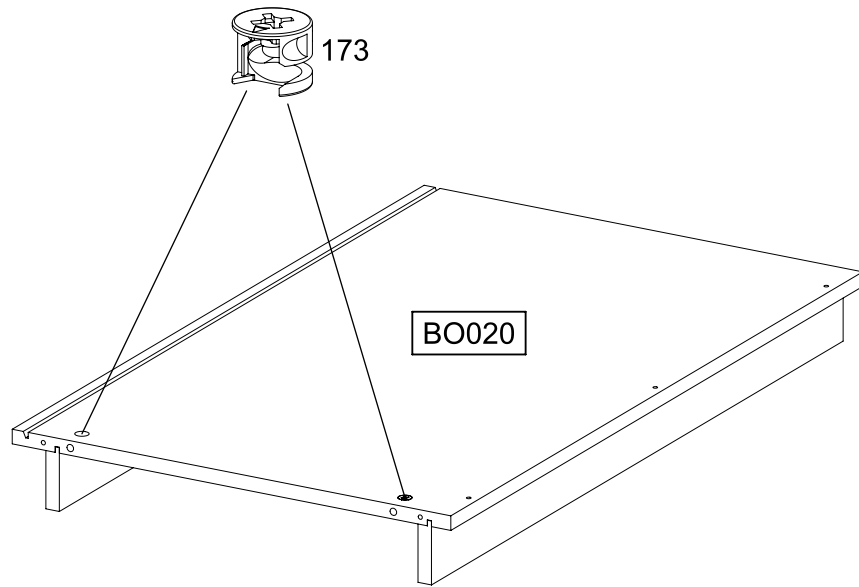
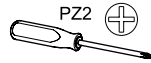


BO020

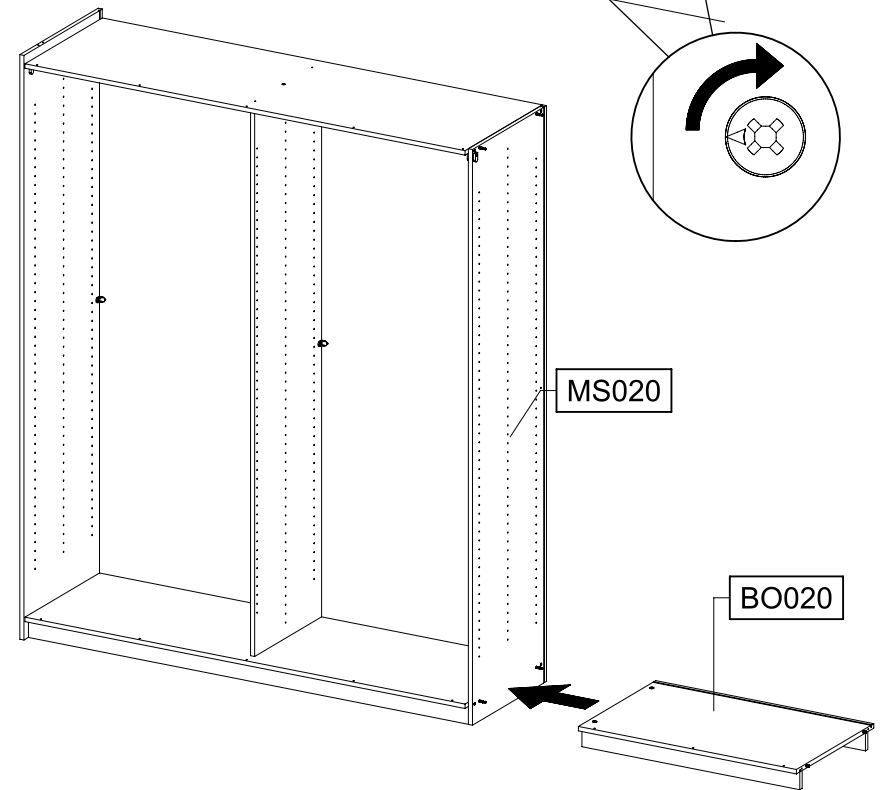
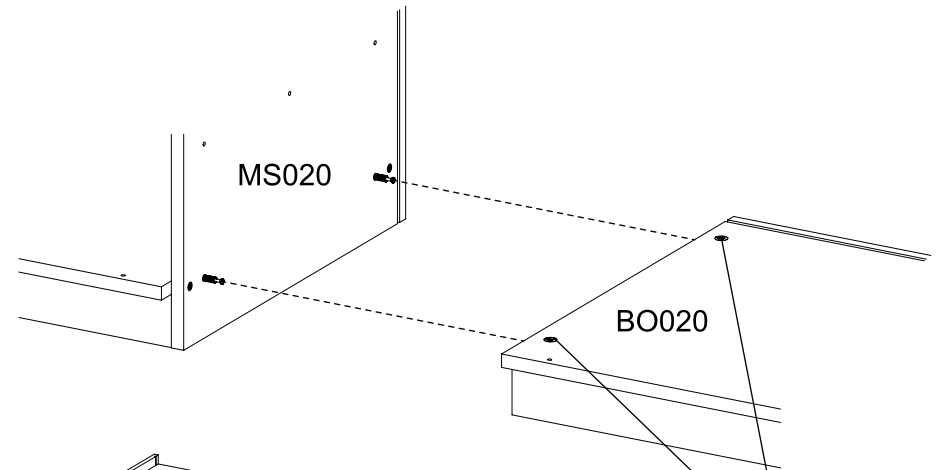
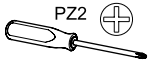
18

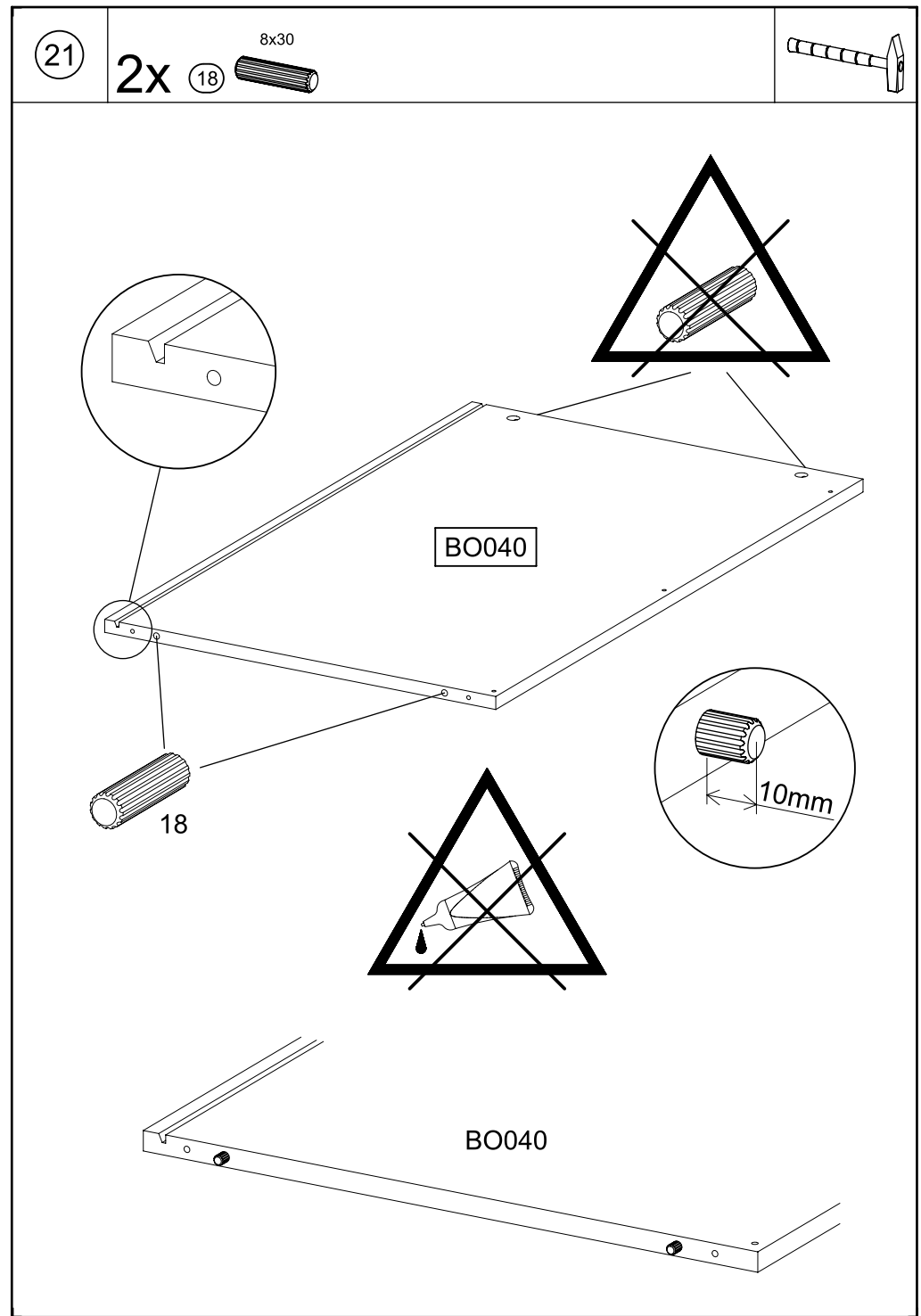
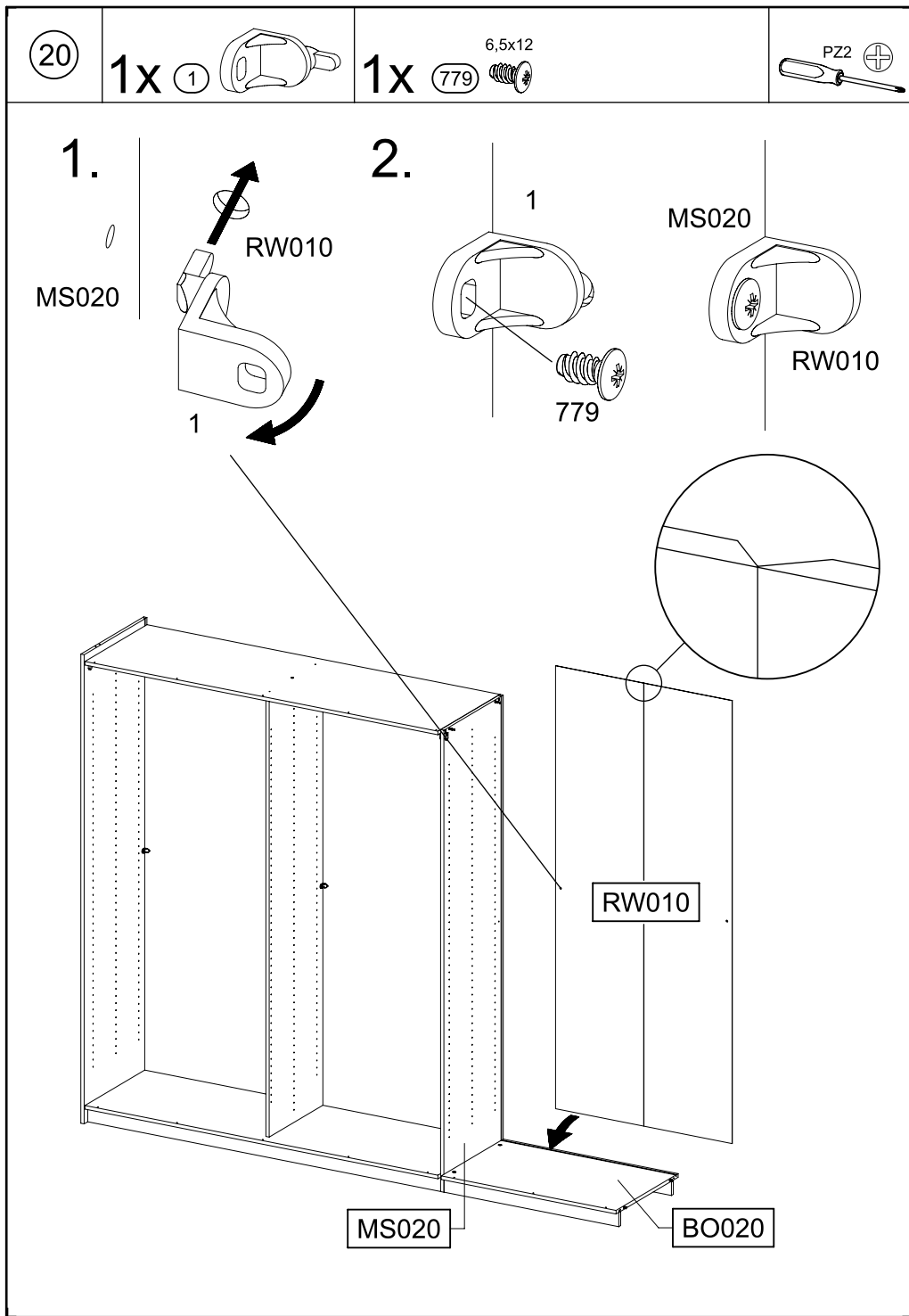
2x

173



19

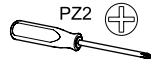




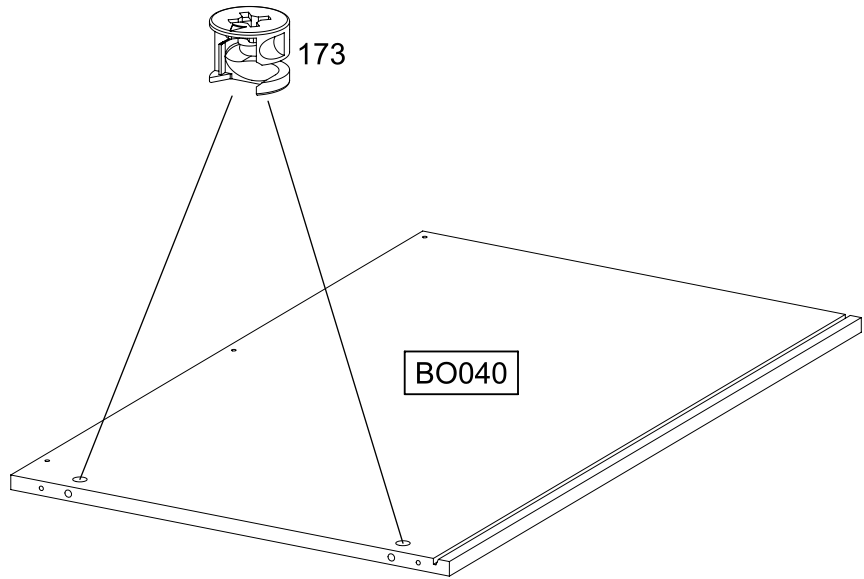
22

2x

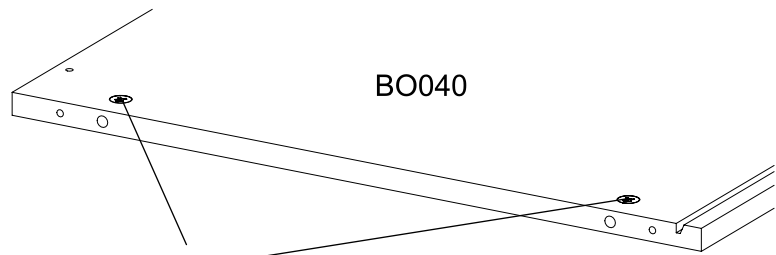
173



PZ2



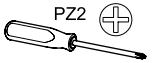
BO040



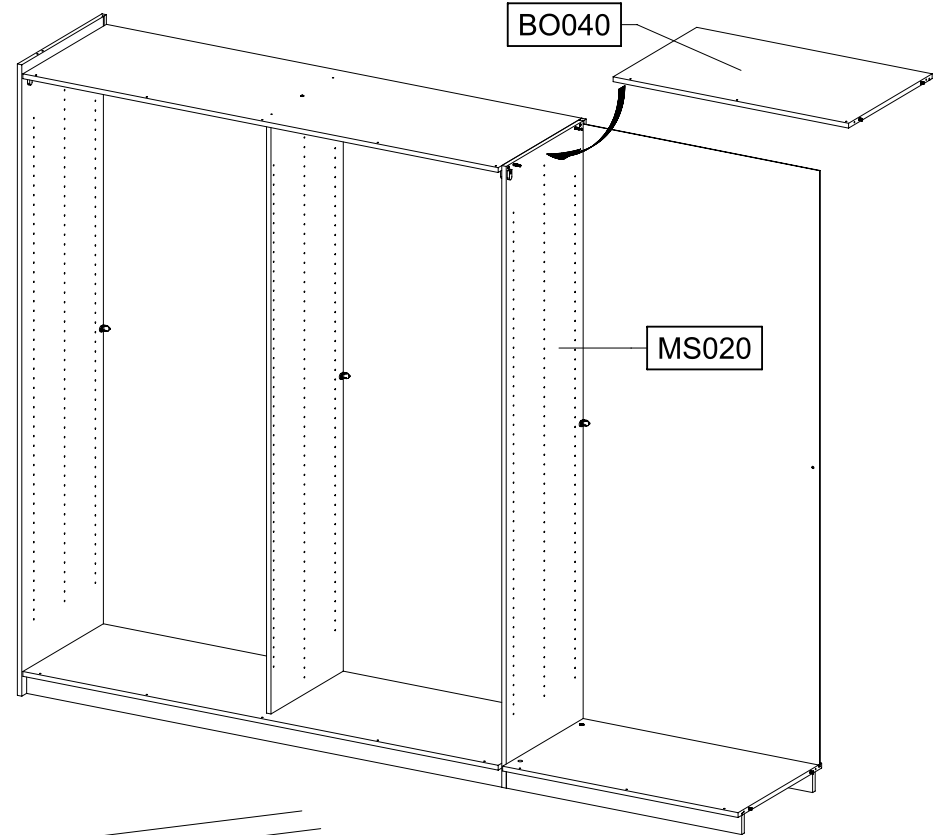
BO040



23

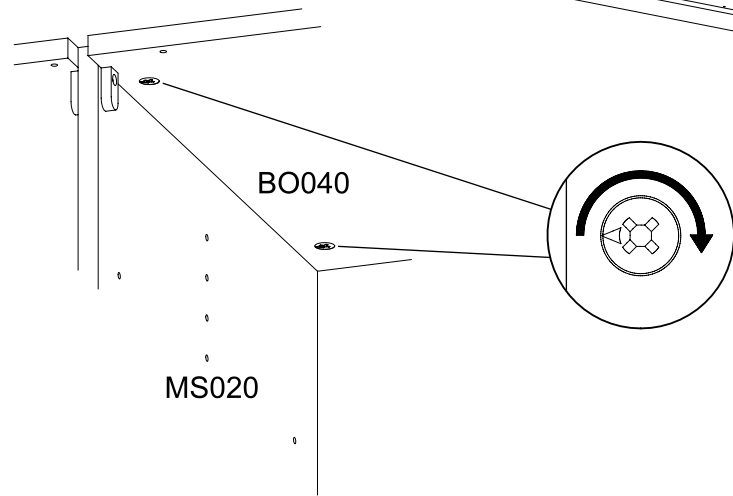


PZ2



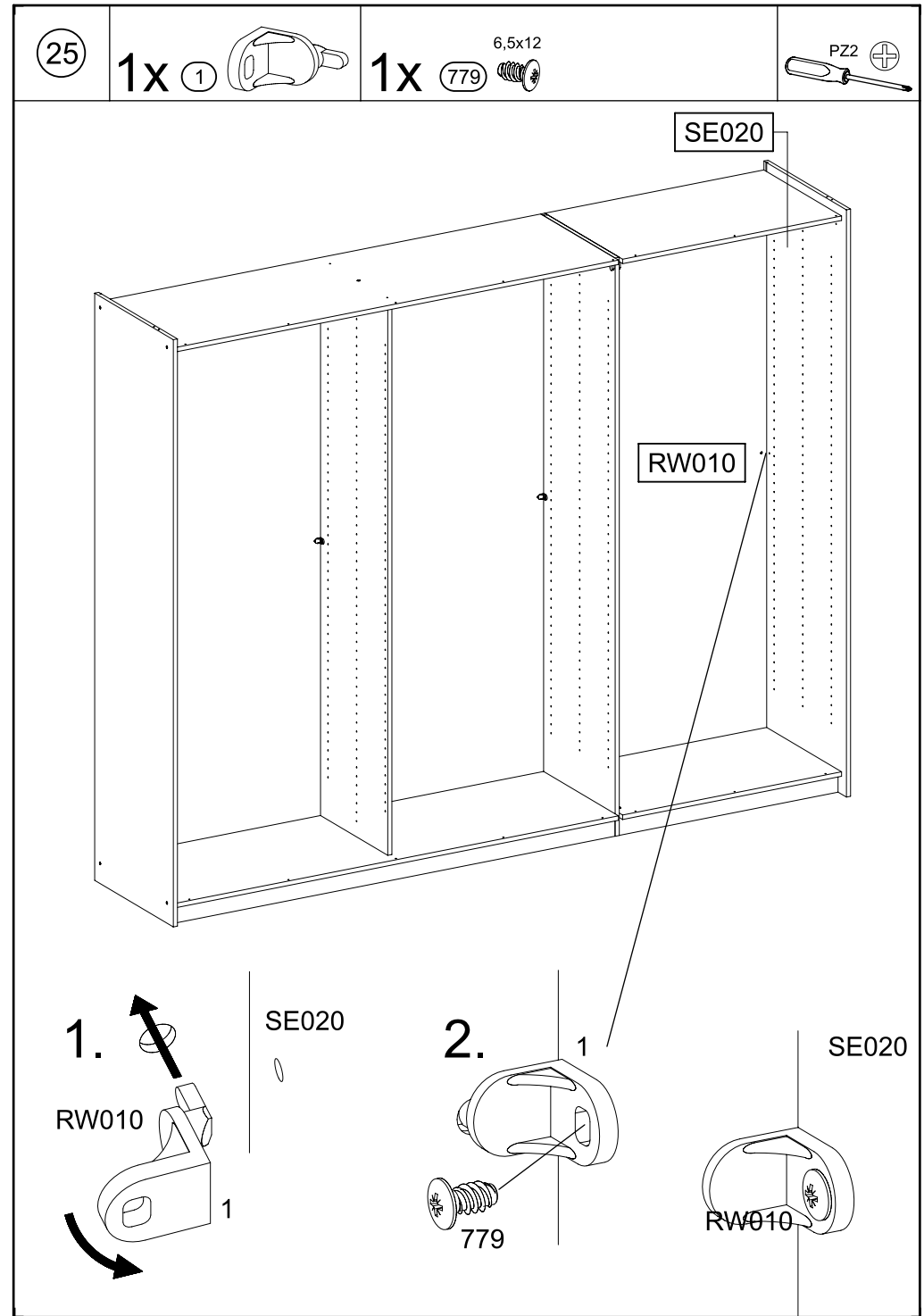
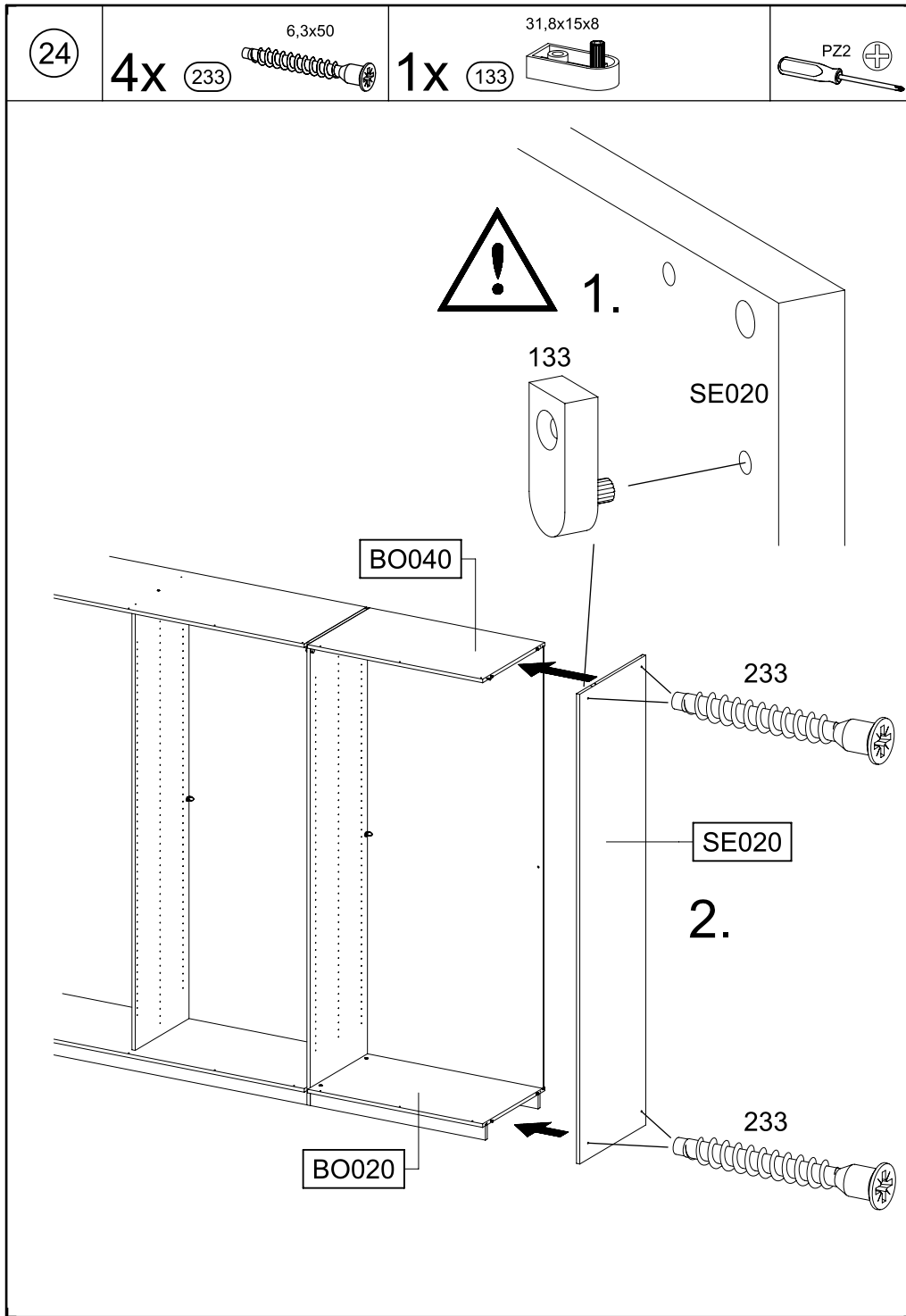
BO040

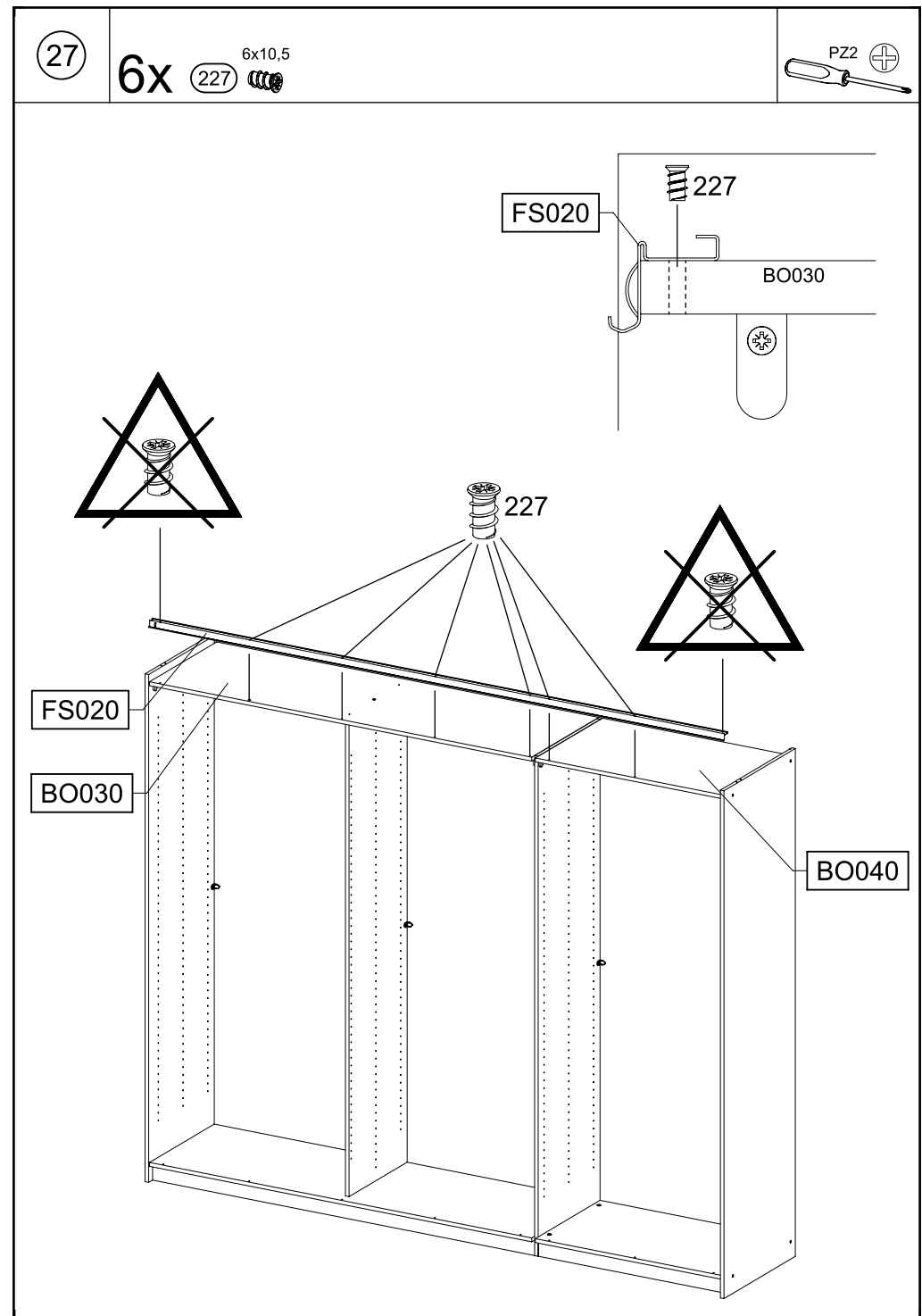
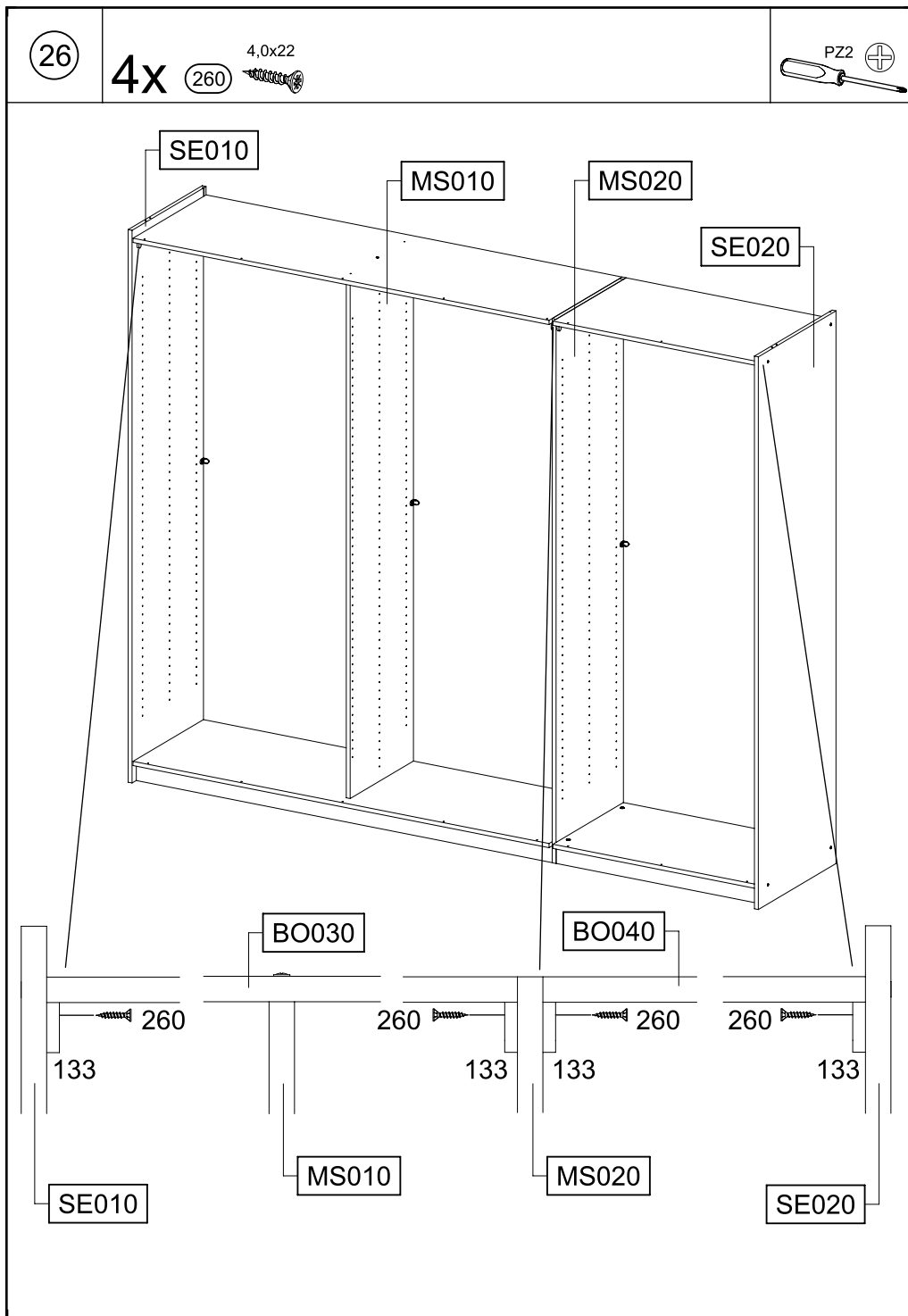
MS020

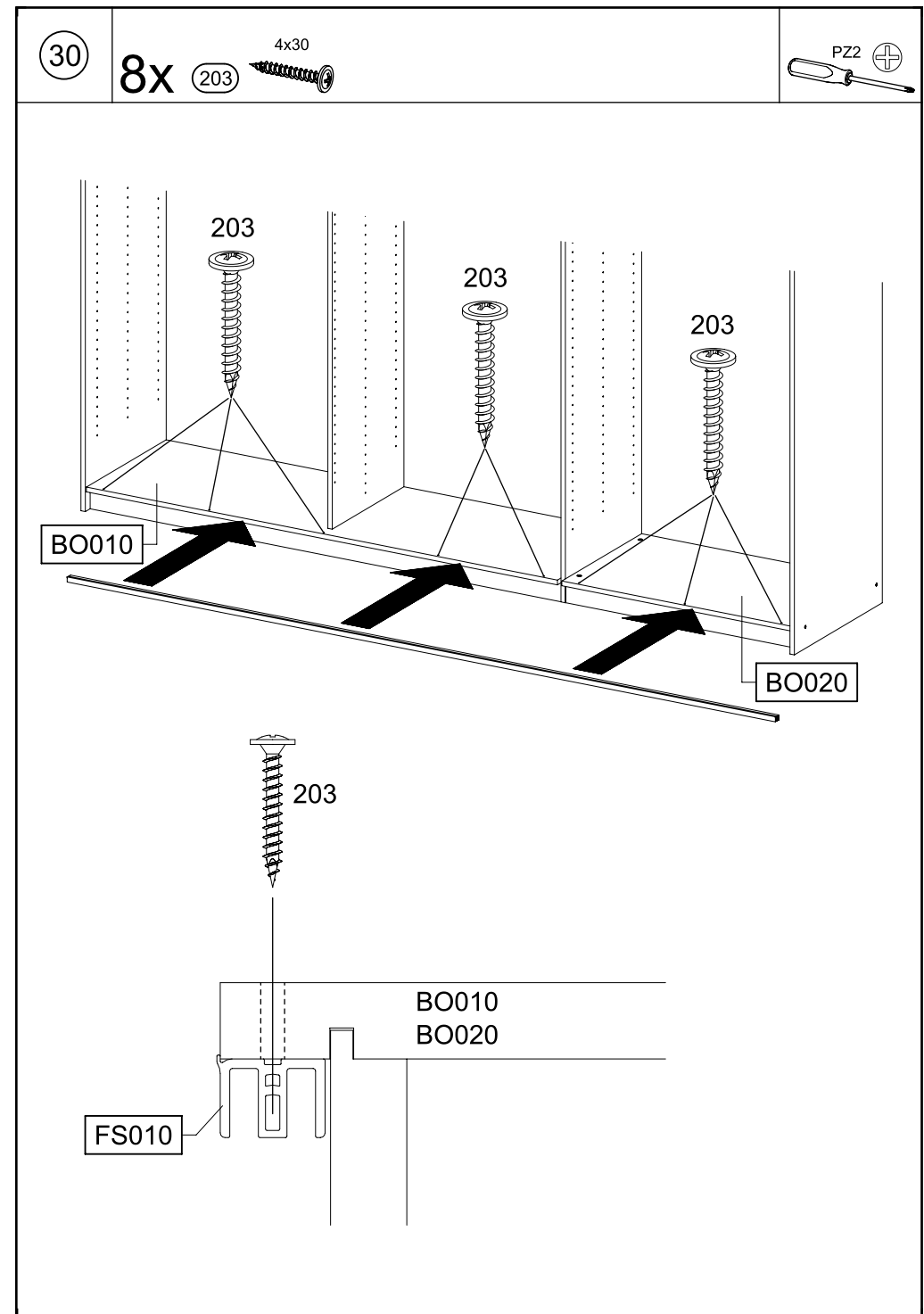
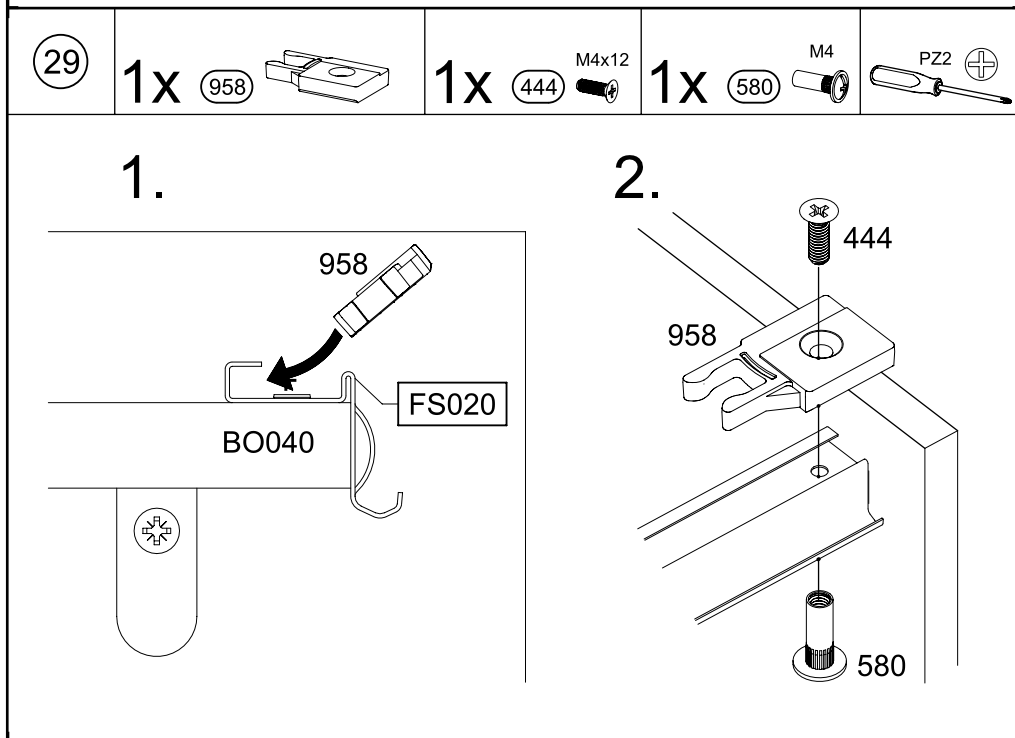
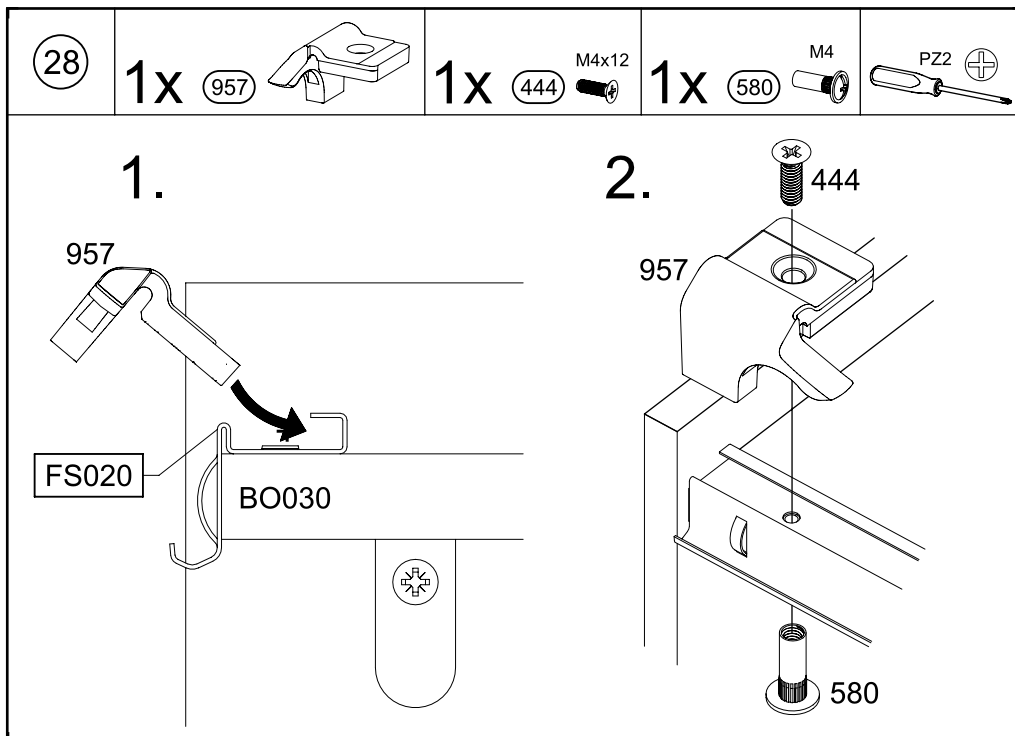


BO040

MS020



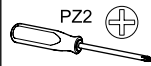
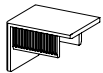




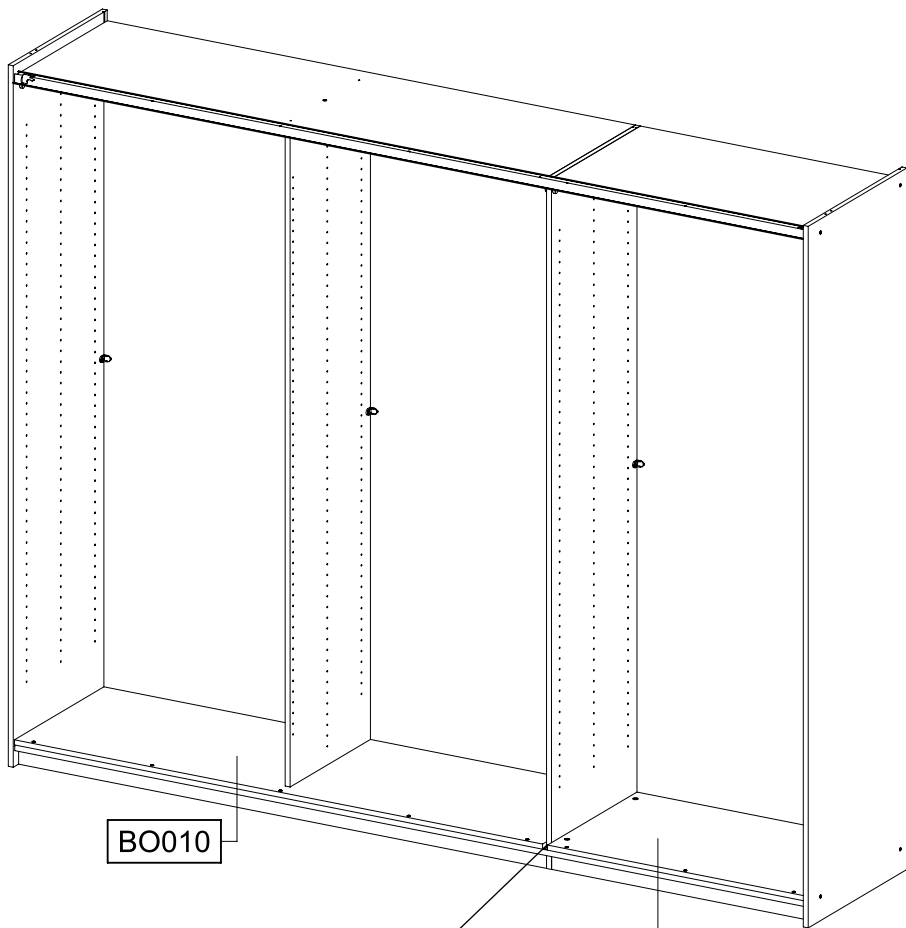
31

1x

161



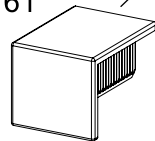
PZ2



BO010

161

BO020



32

0-3x

12

55x16x6,2



4x

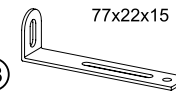
201

4x15



2x

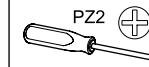
68



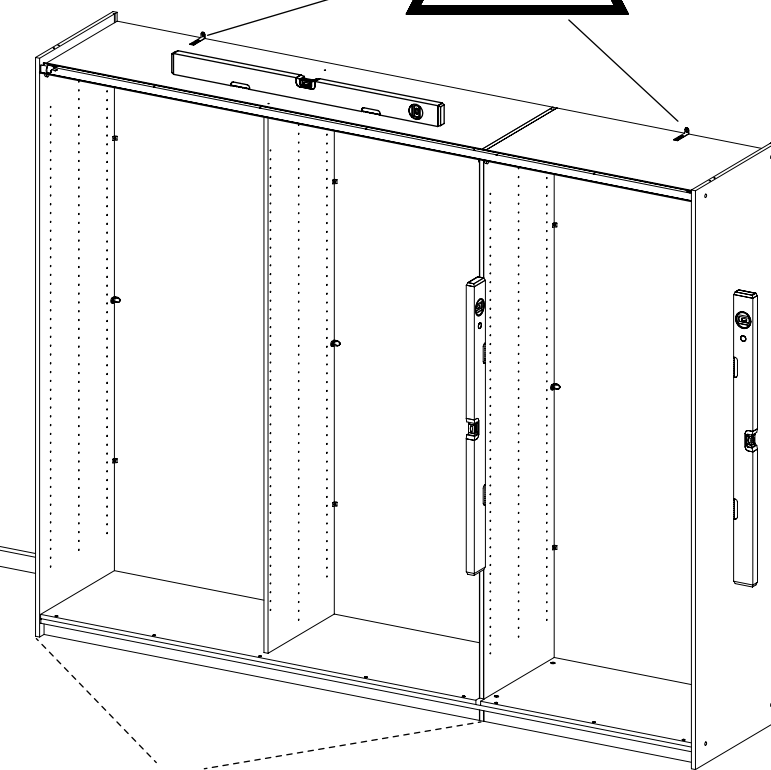
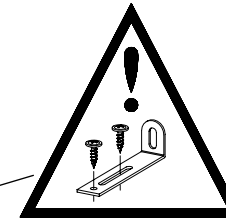
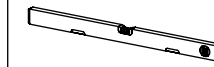
77x22x15



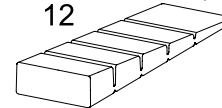
SCAN ME



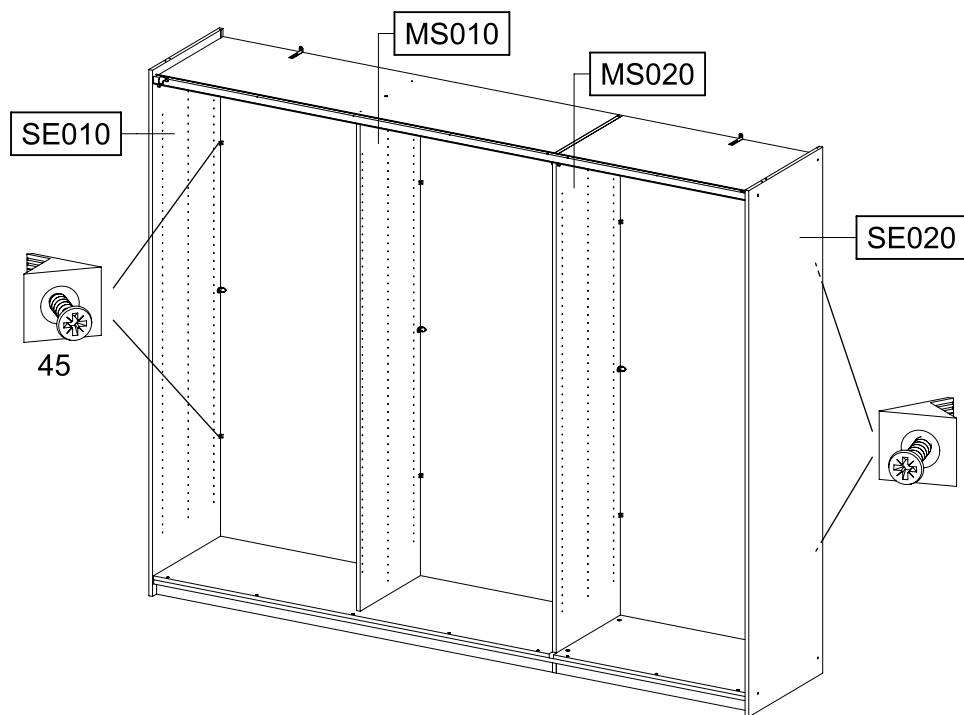
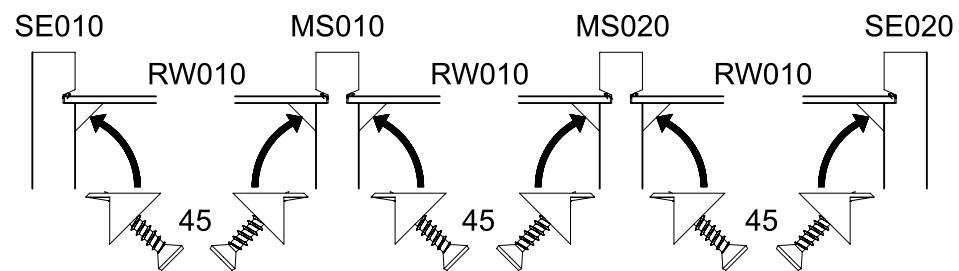
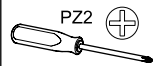
PZ2



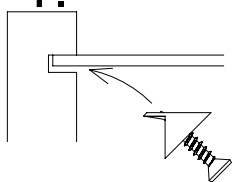
12



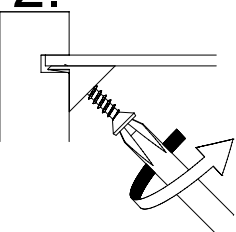
33

12x 45 

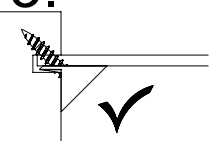
1.



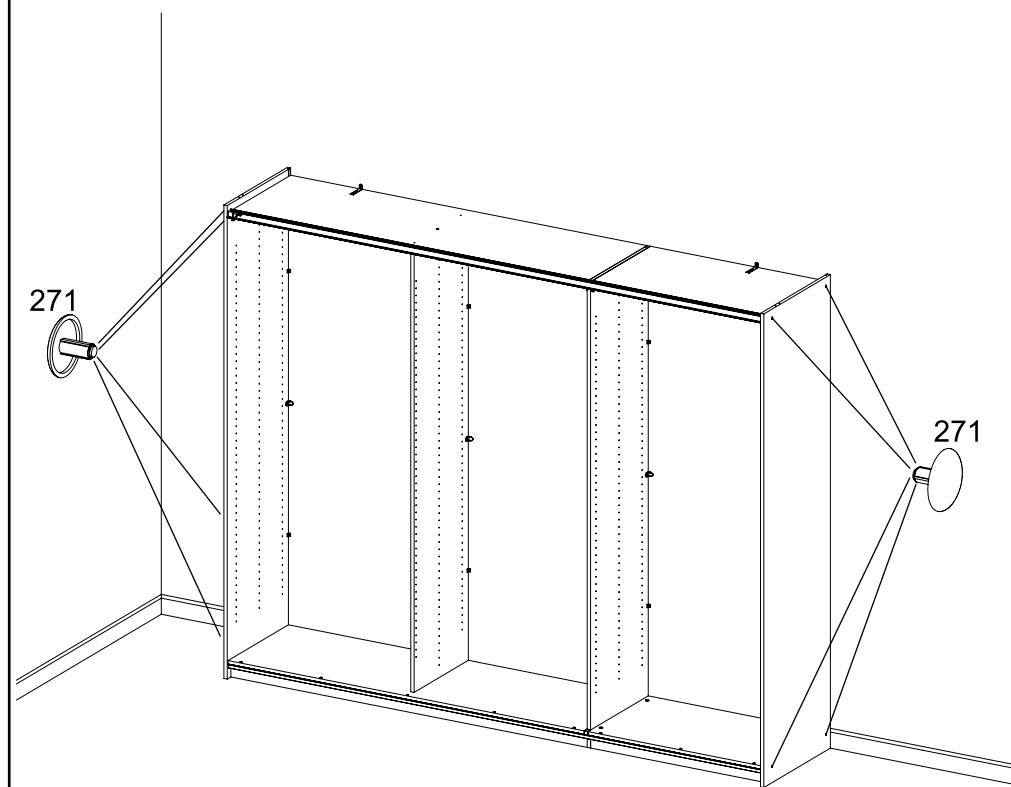

2.



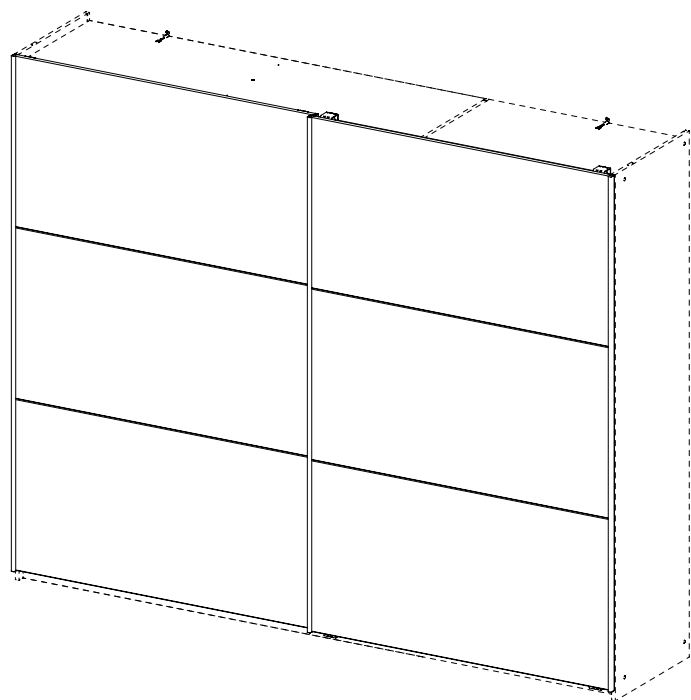
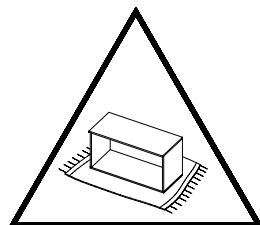
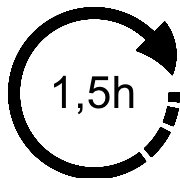
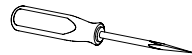
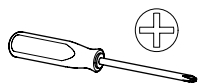
3.



34

8x 271 

M9950_01



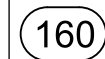
52x

3,5x12

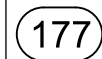


6x

48x15x1,5

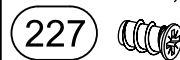


6x

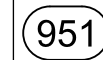


24x

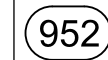
6x10,5



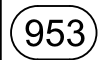
2x



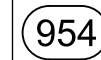
2x



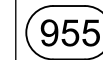
4x



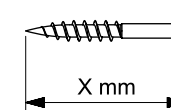
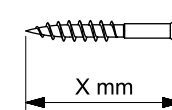
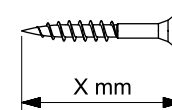
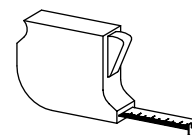
2x



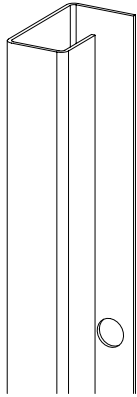
2x



1x



GL010

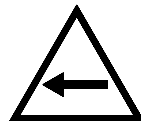
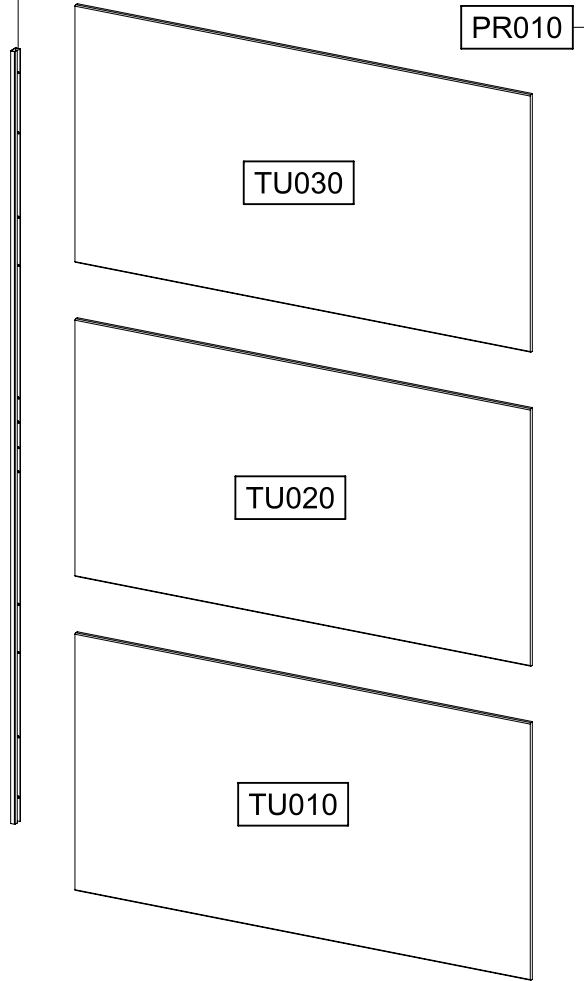


PR010



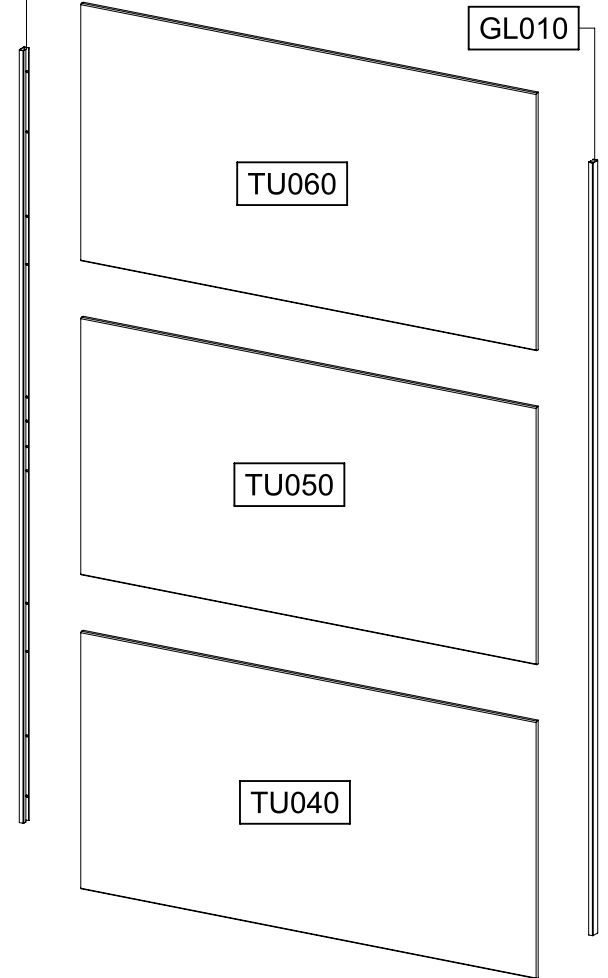
GL010

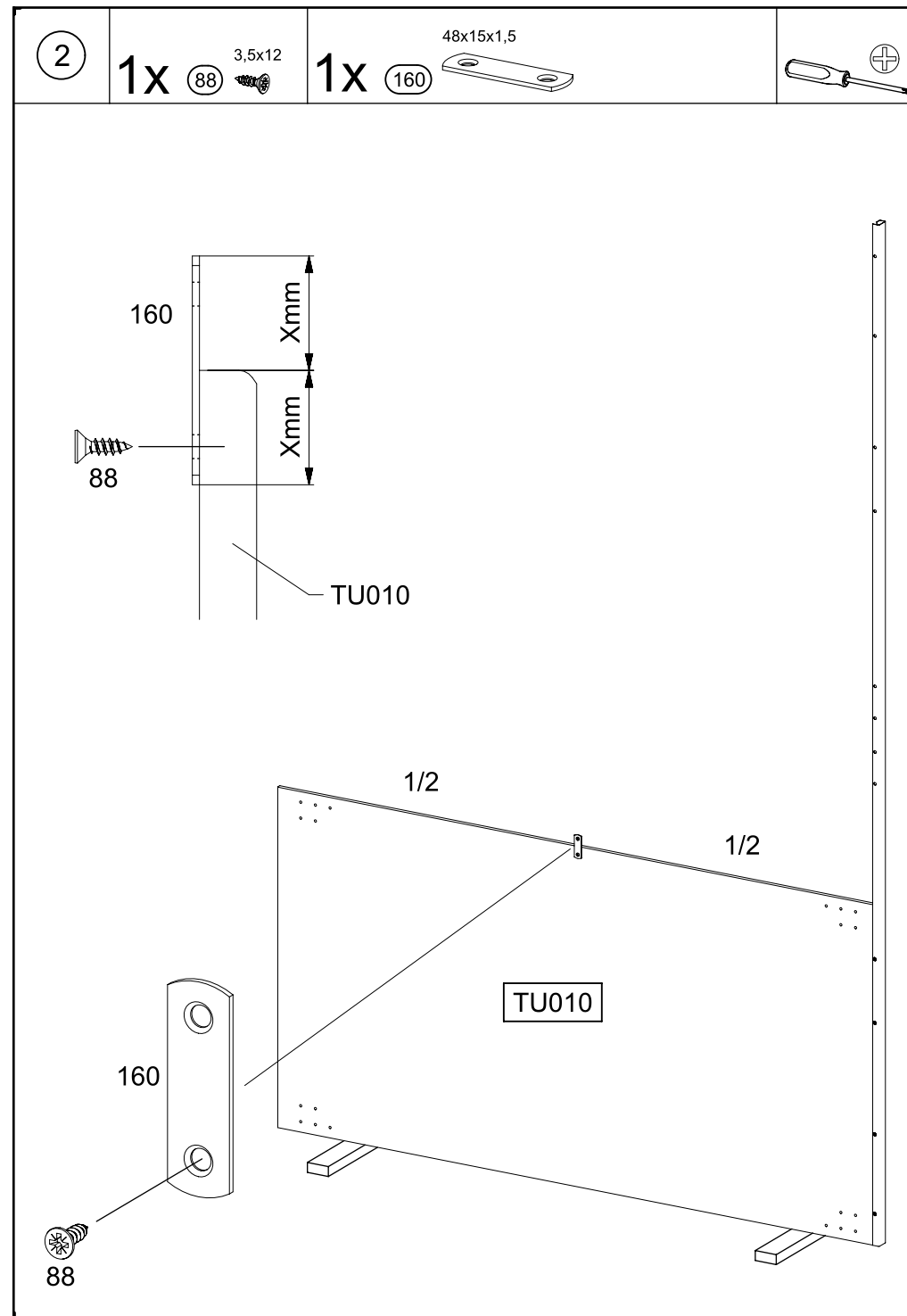
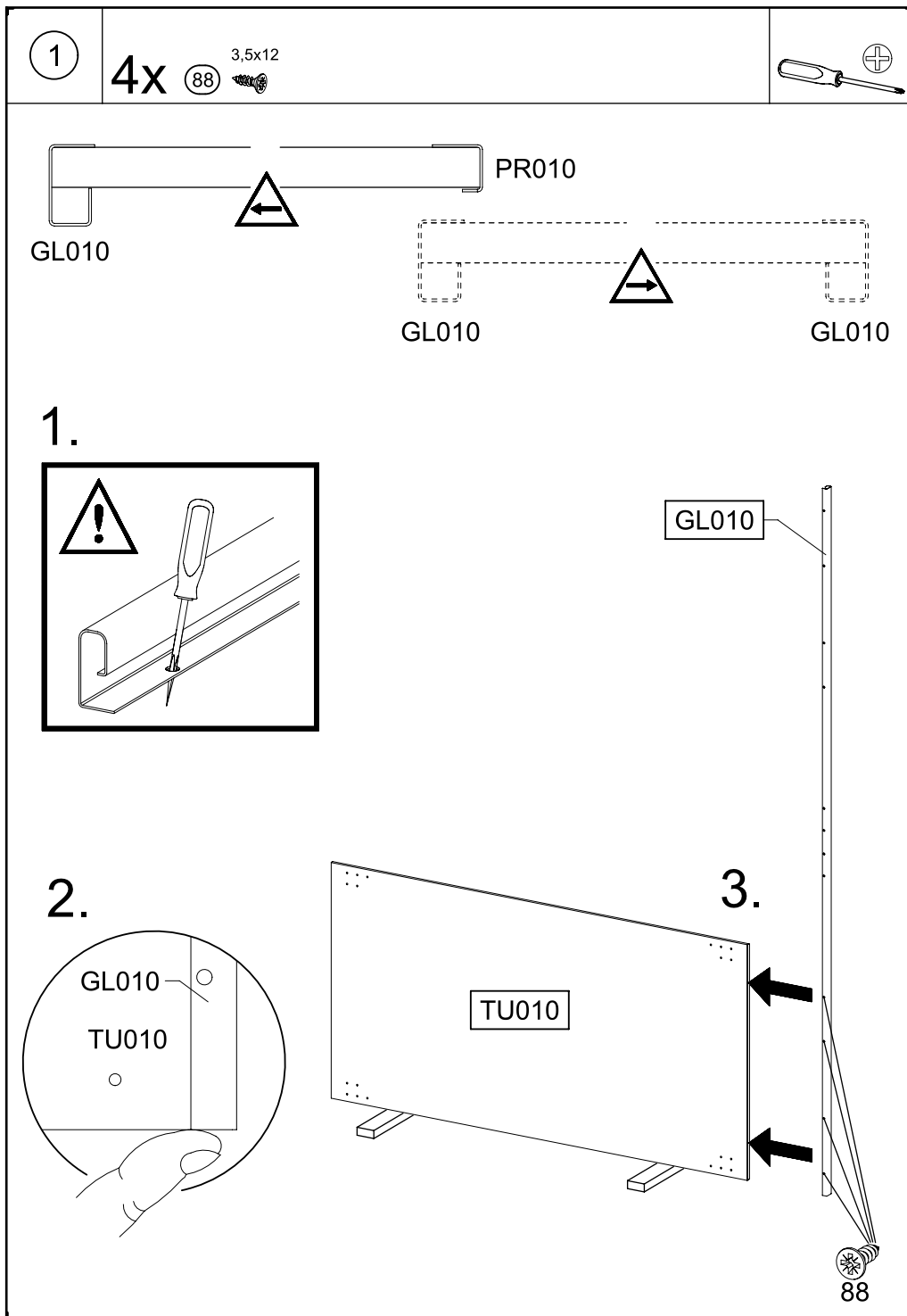
PR010

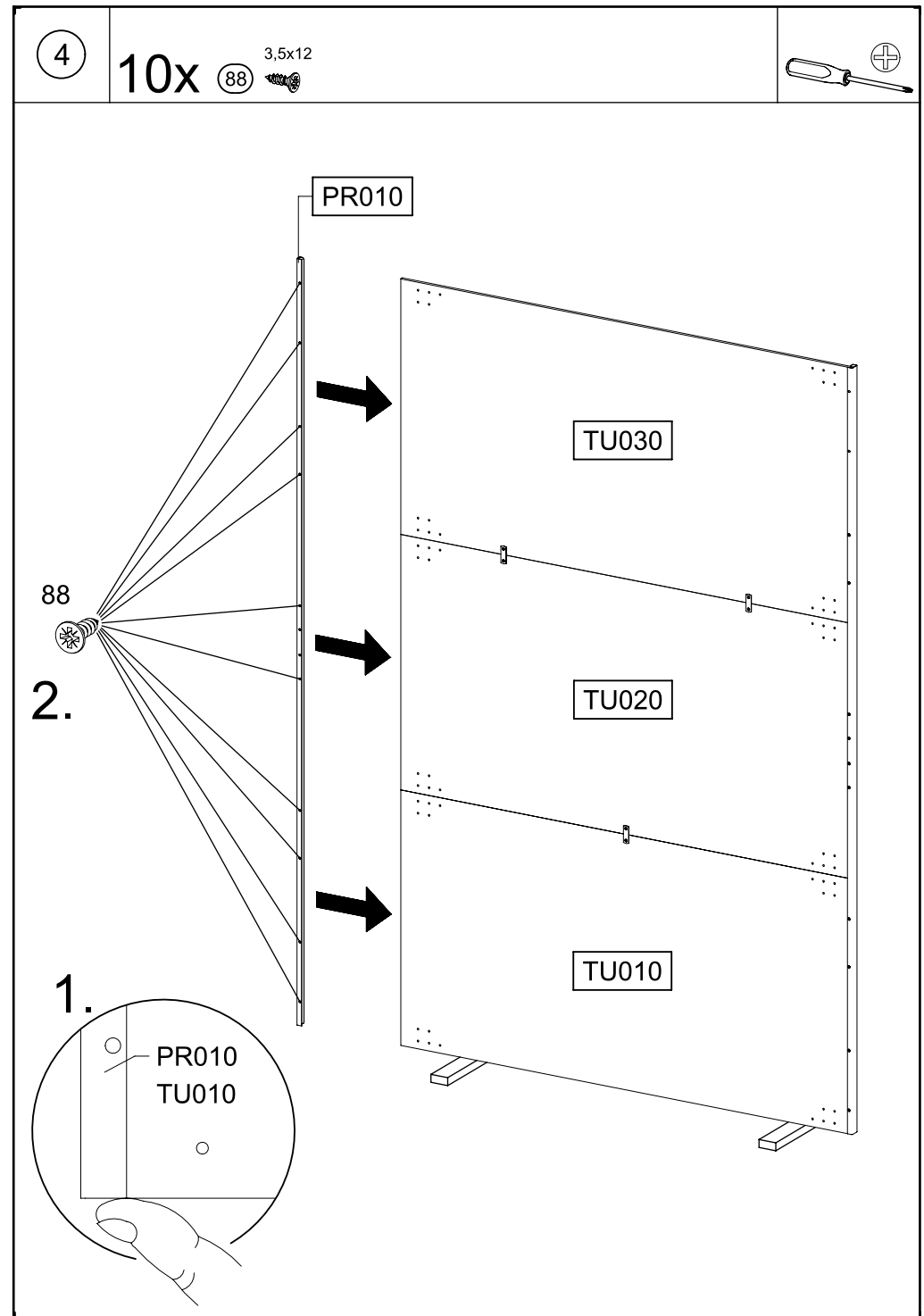
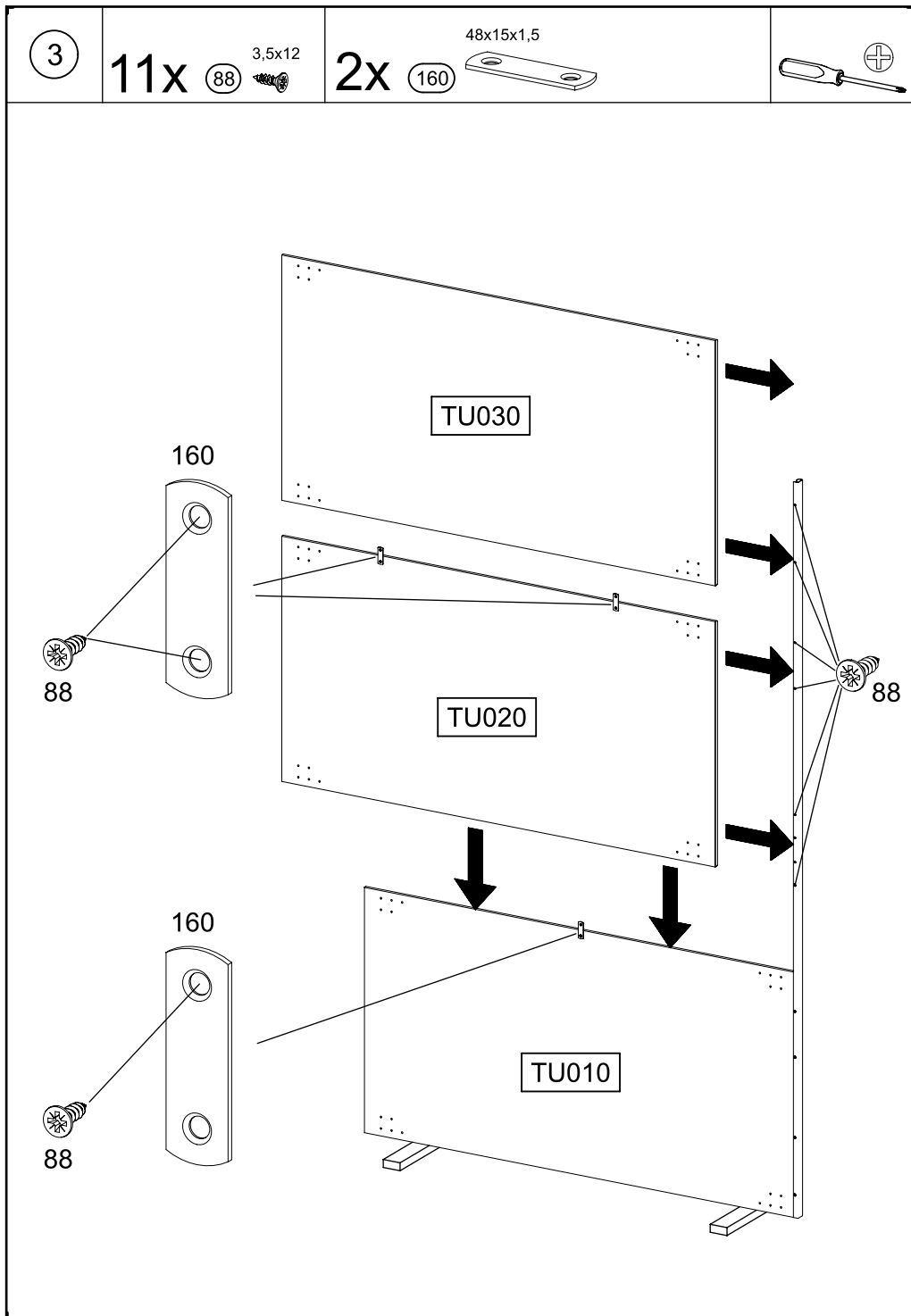


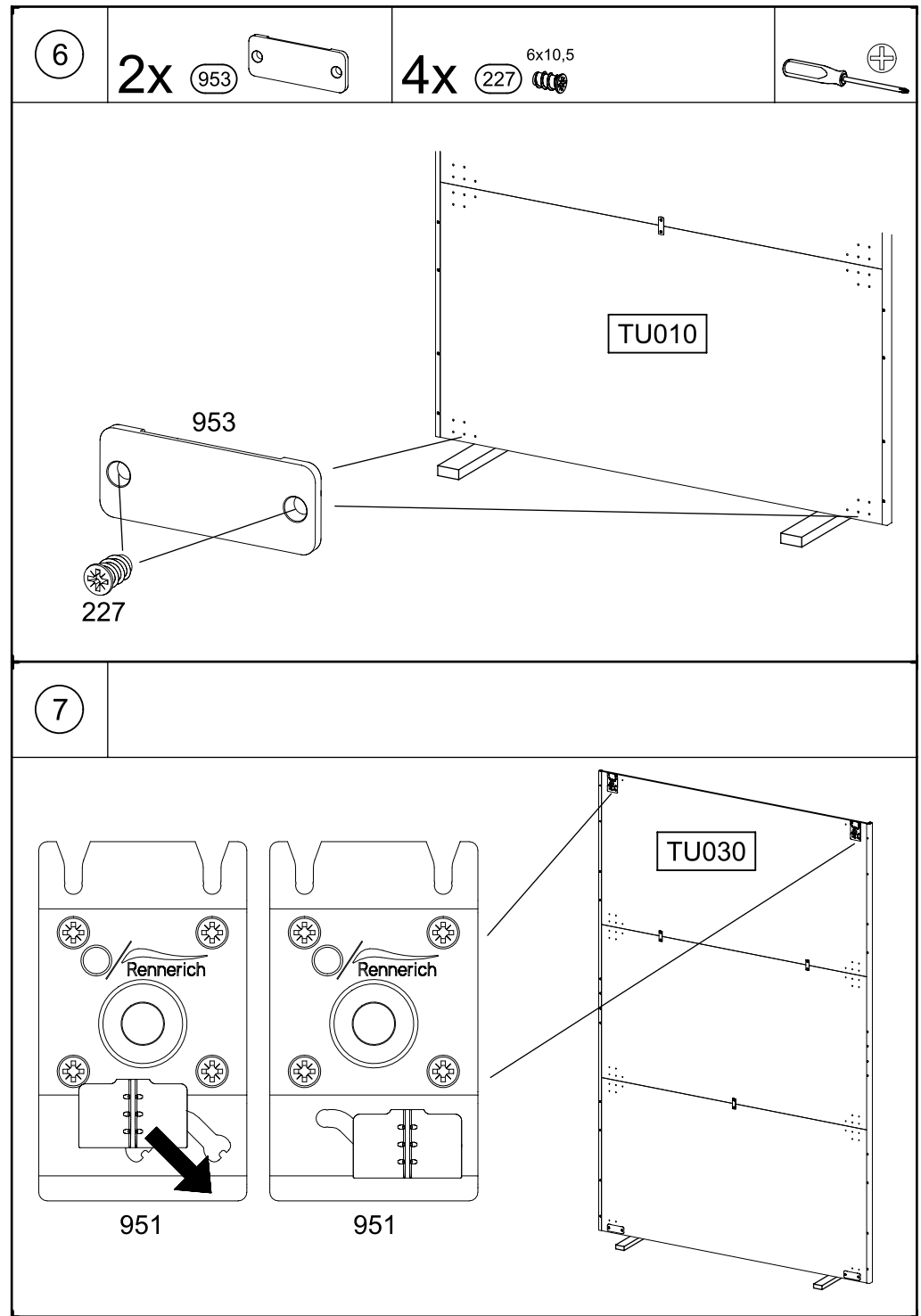
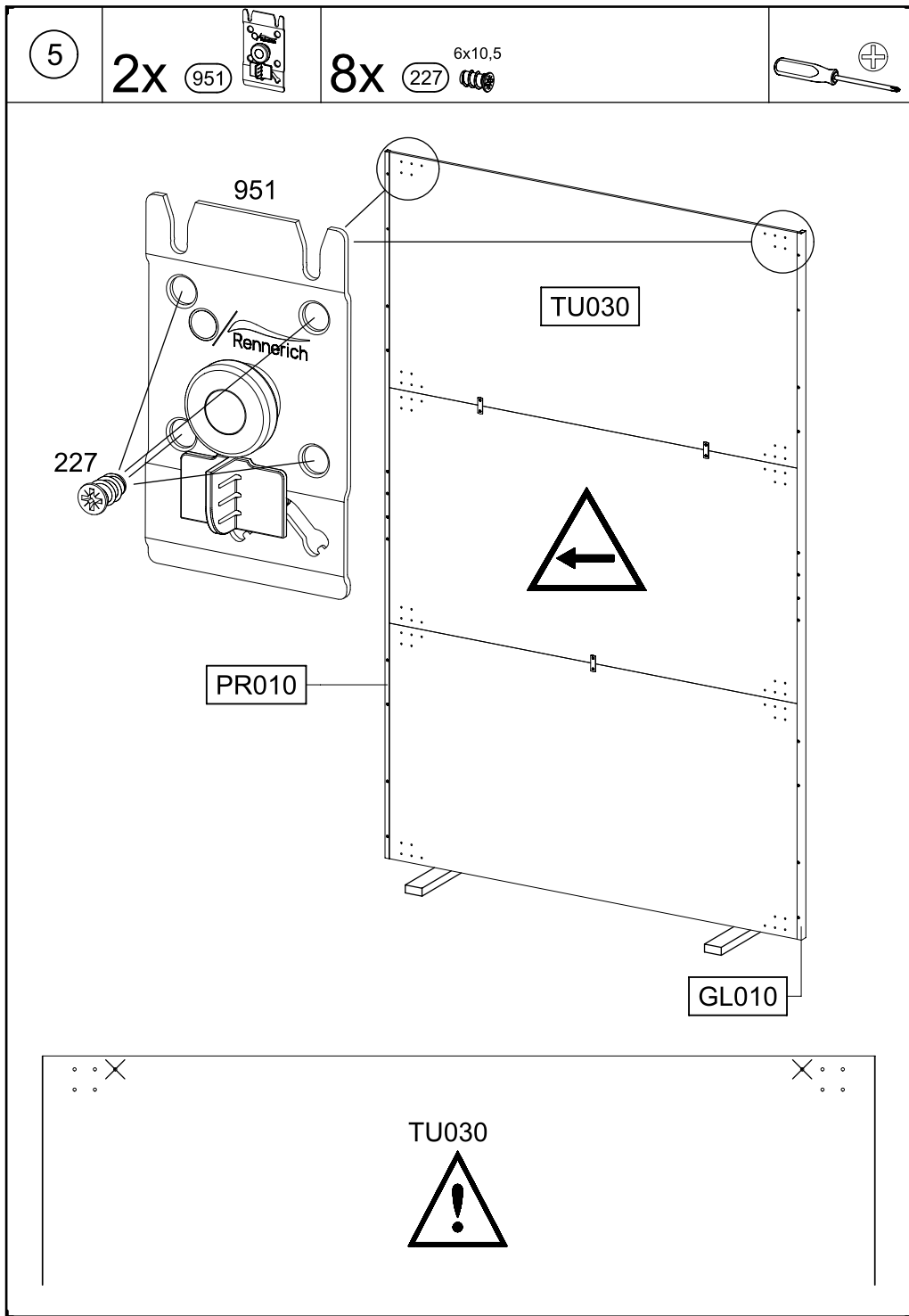
GL010

GL010

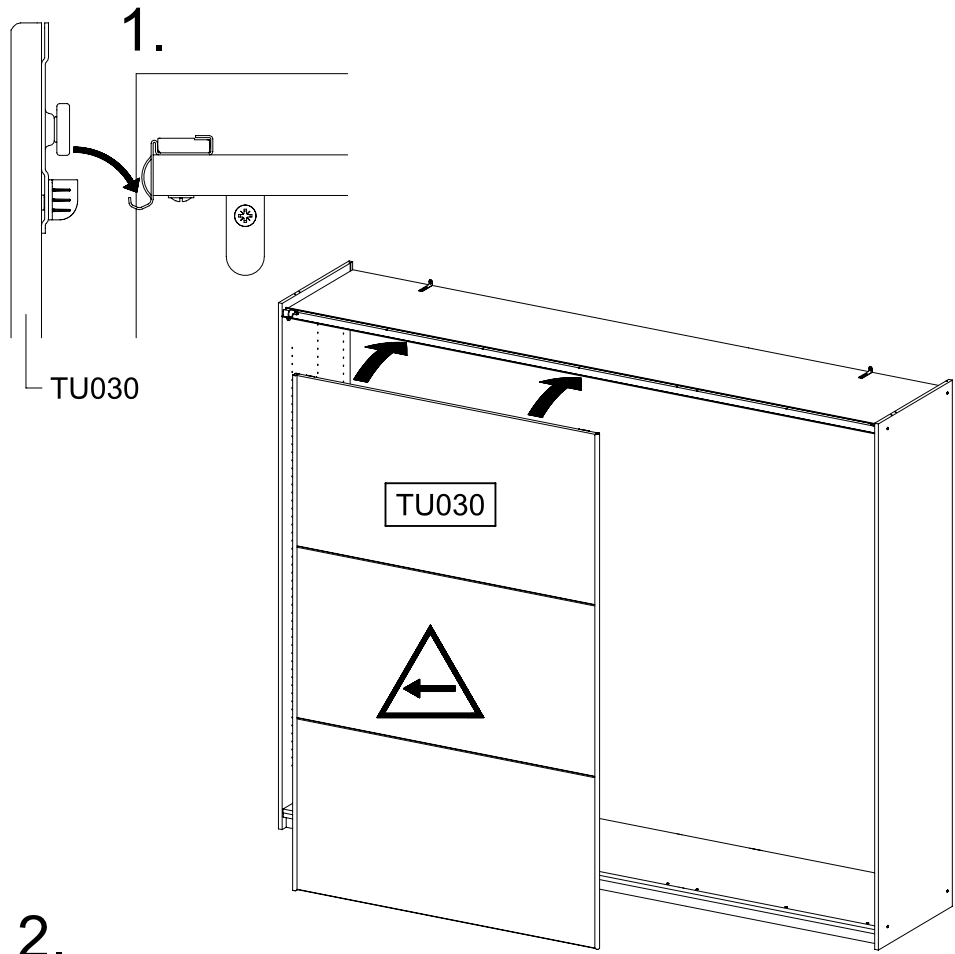




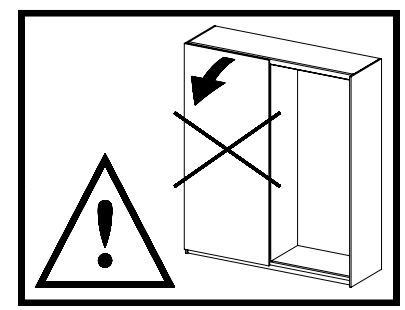
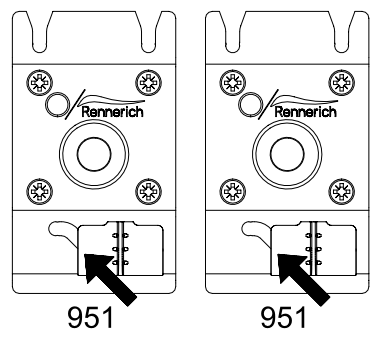




8

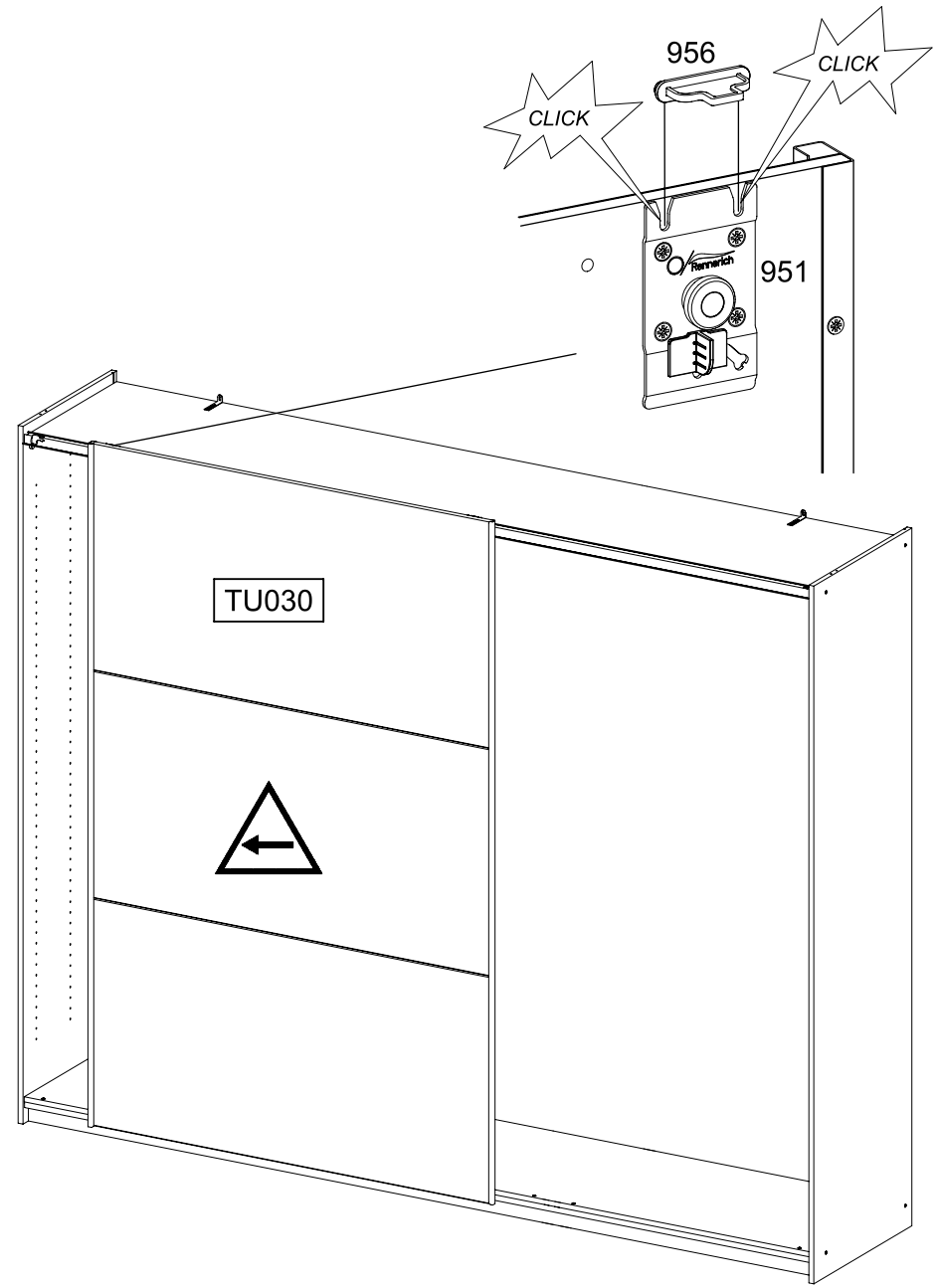


2.



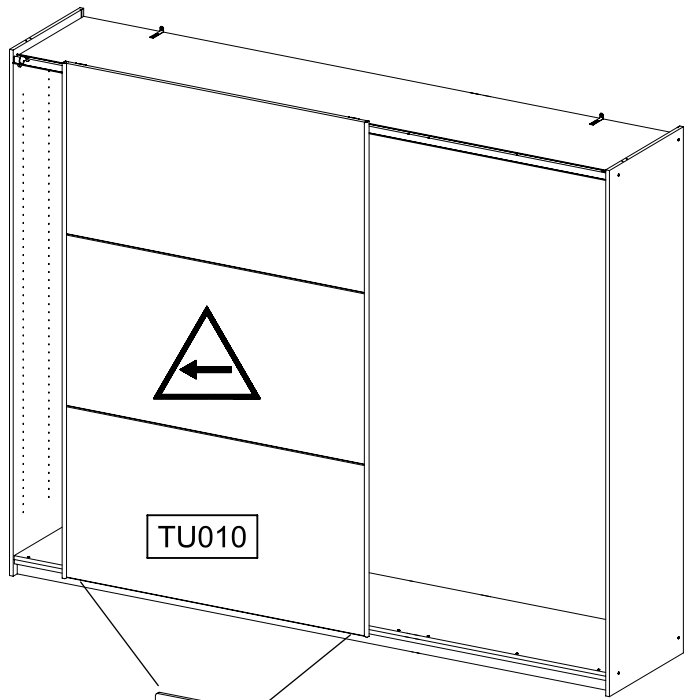
9

1x  956



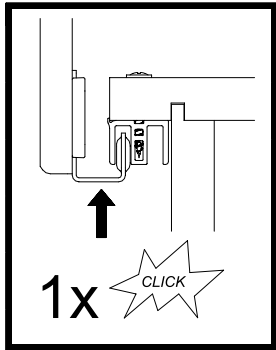
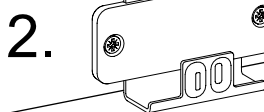
10

2x 954



TU010

954

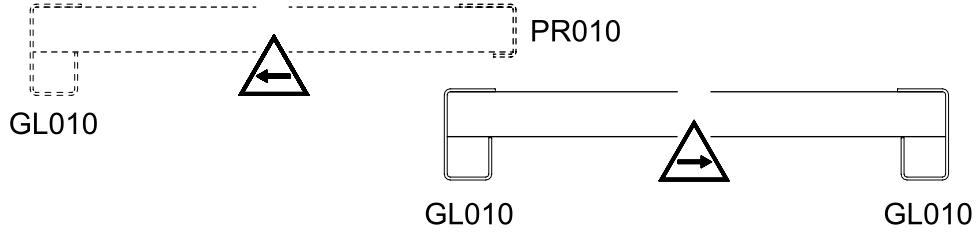
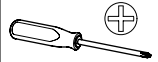


1x

CLICK

11

4x 88 3,5x12



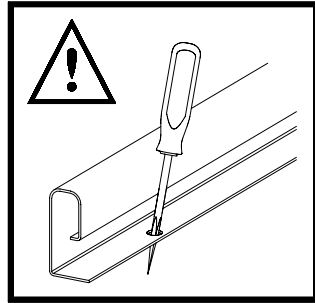
GL010

PR010

GL010

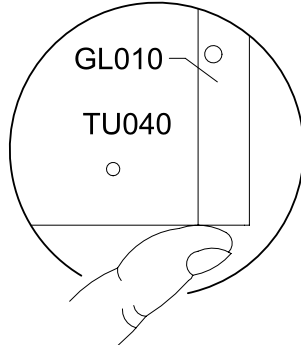
GL010

1.



GL010

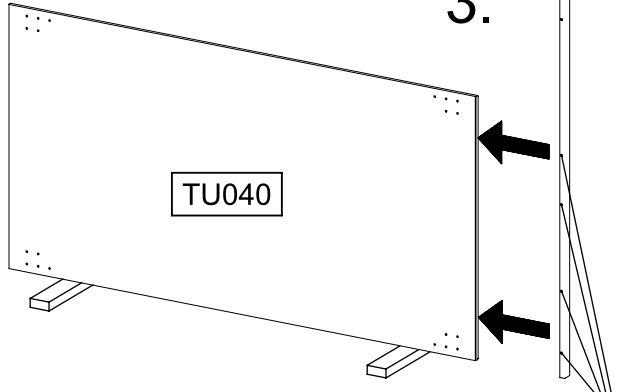
2.



GL010

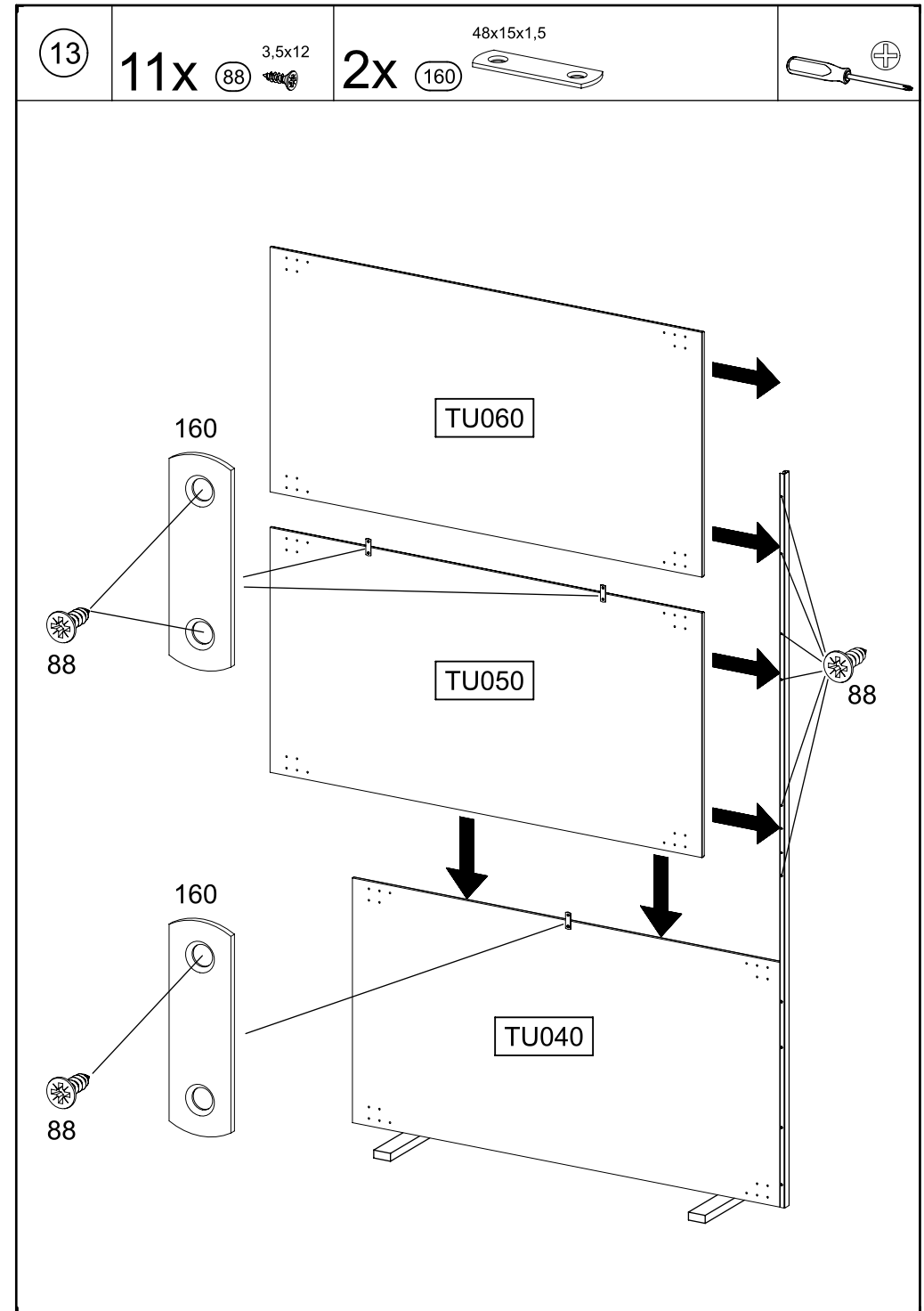
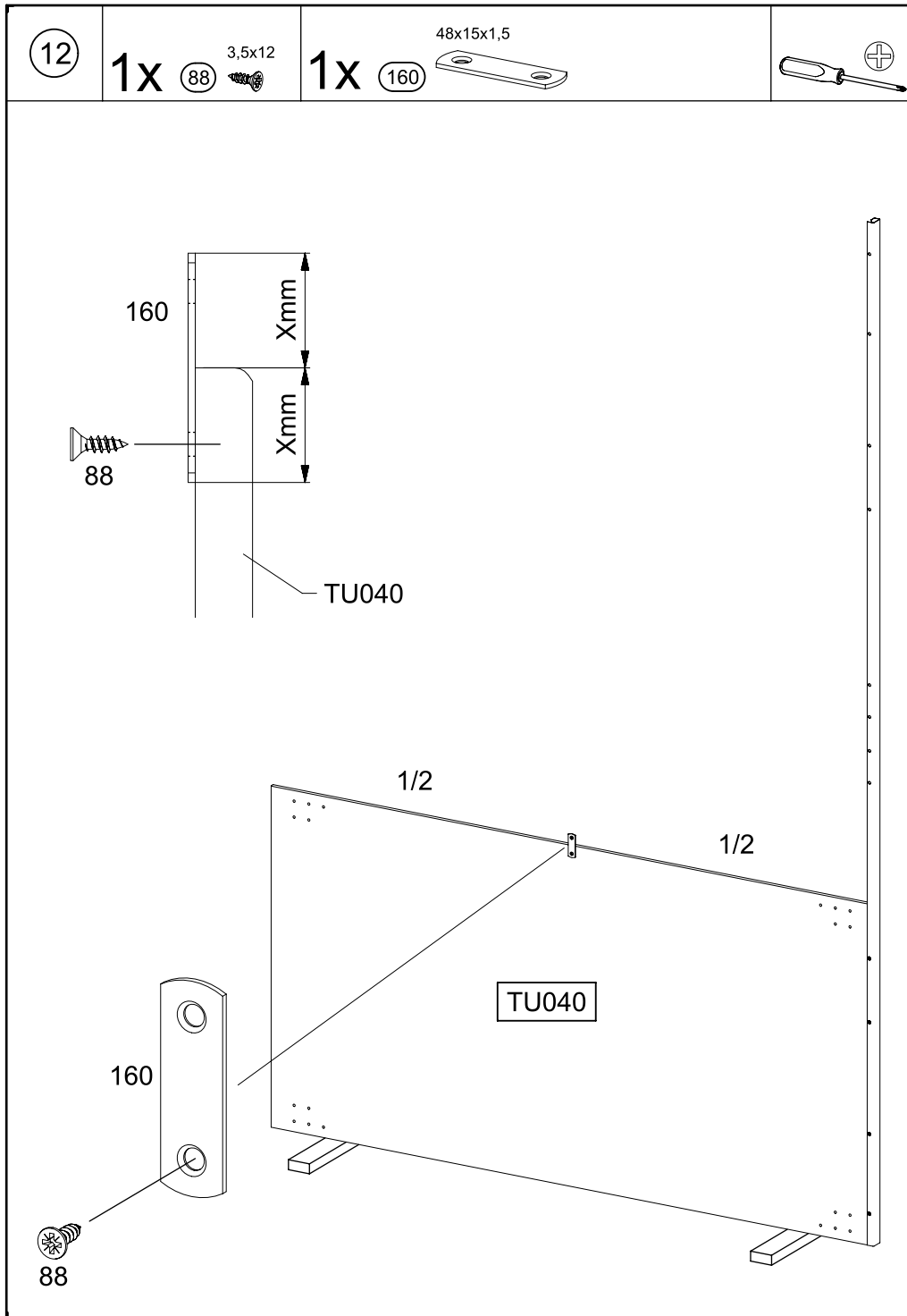
TU040

3.



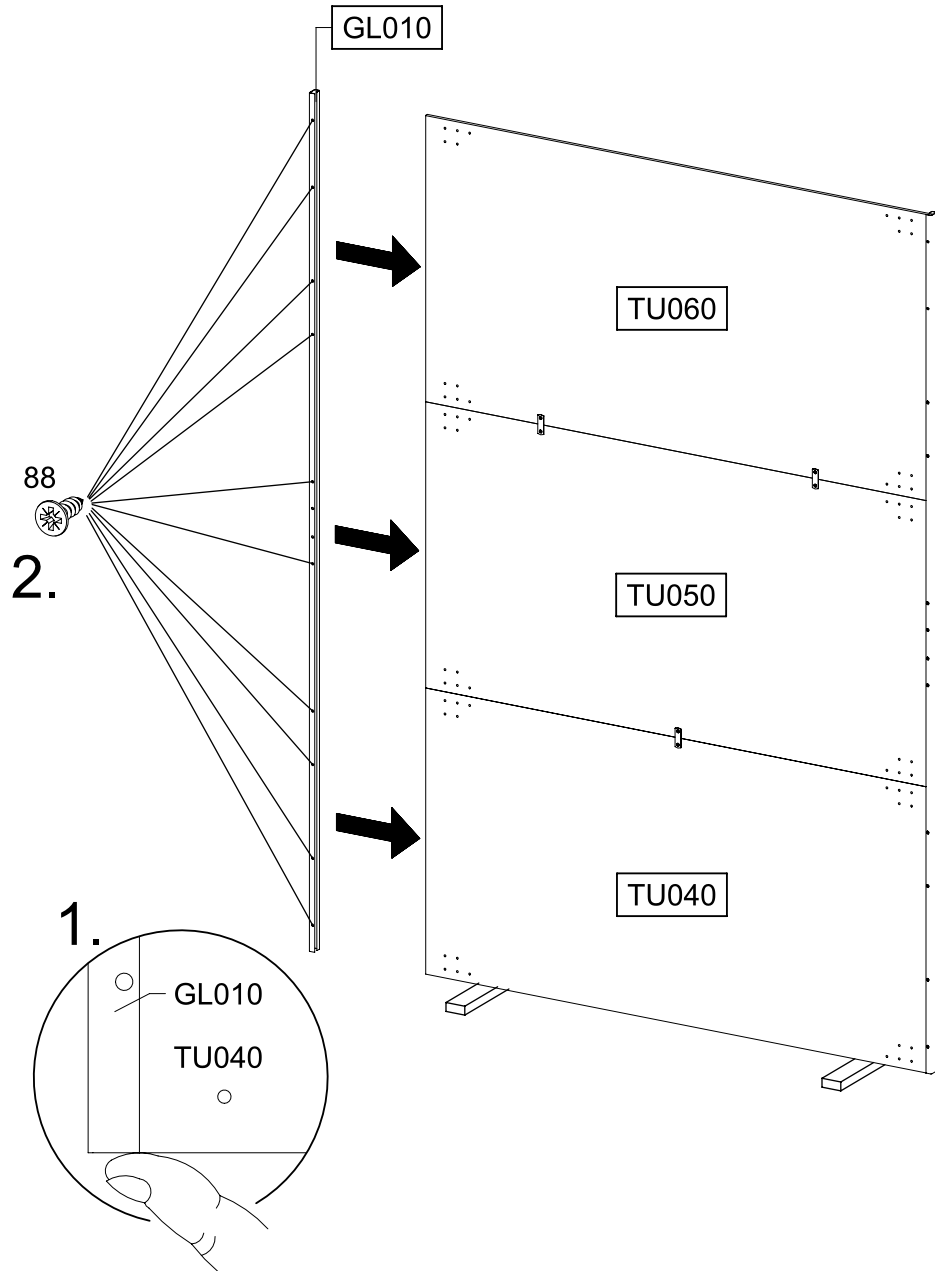
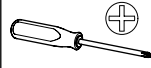
TU040

88



14

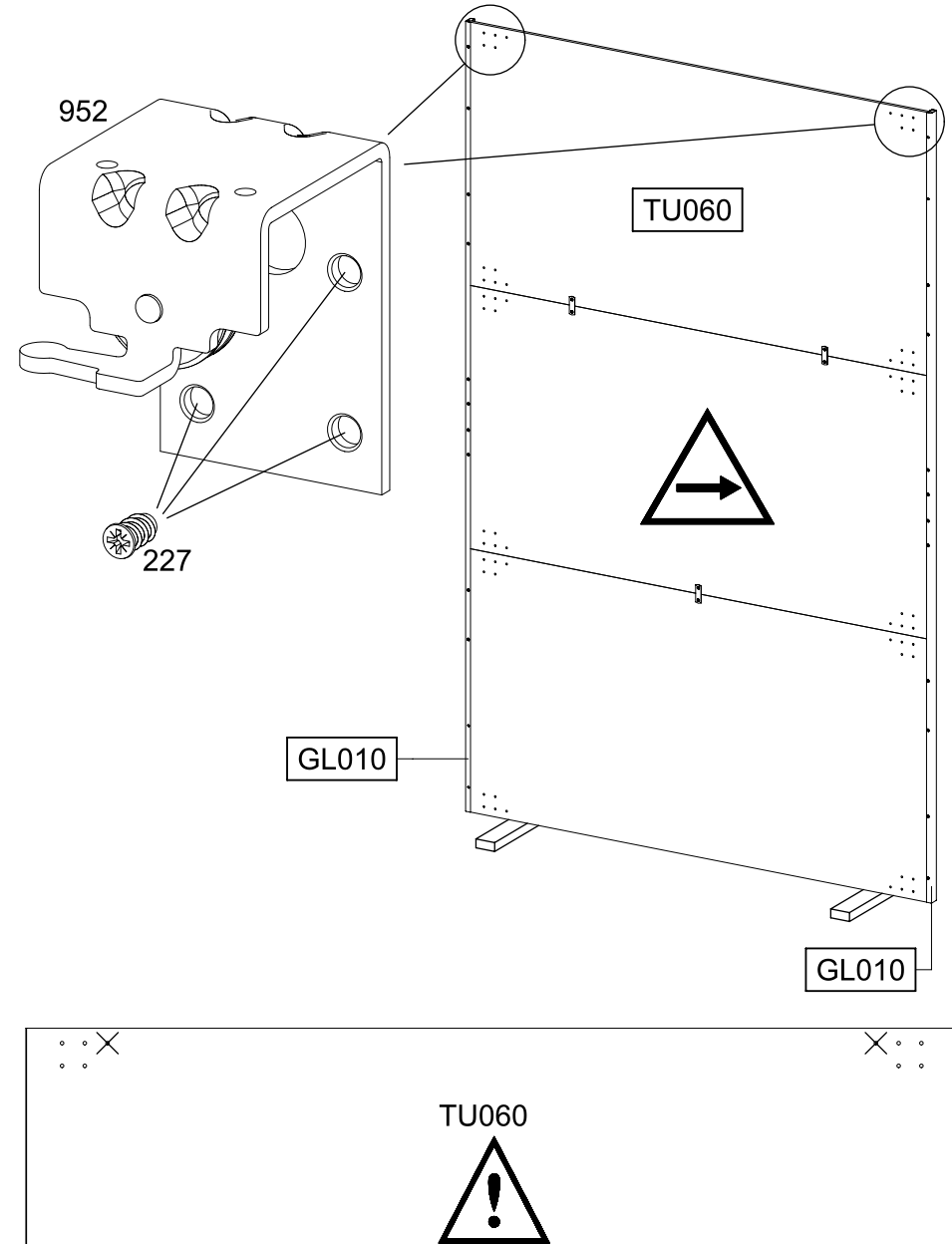
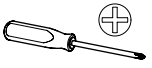
10x 88 3,5x12

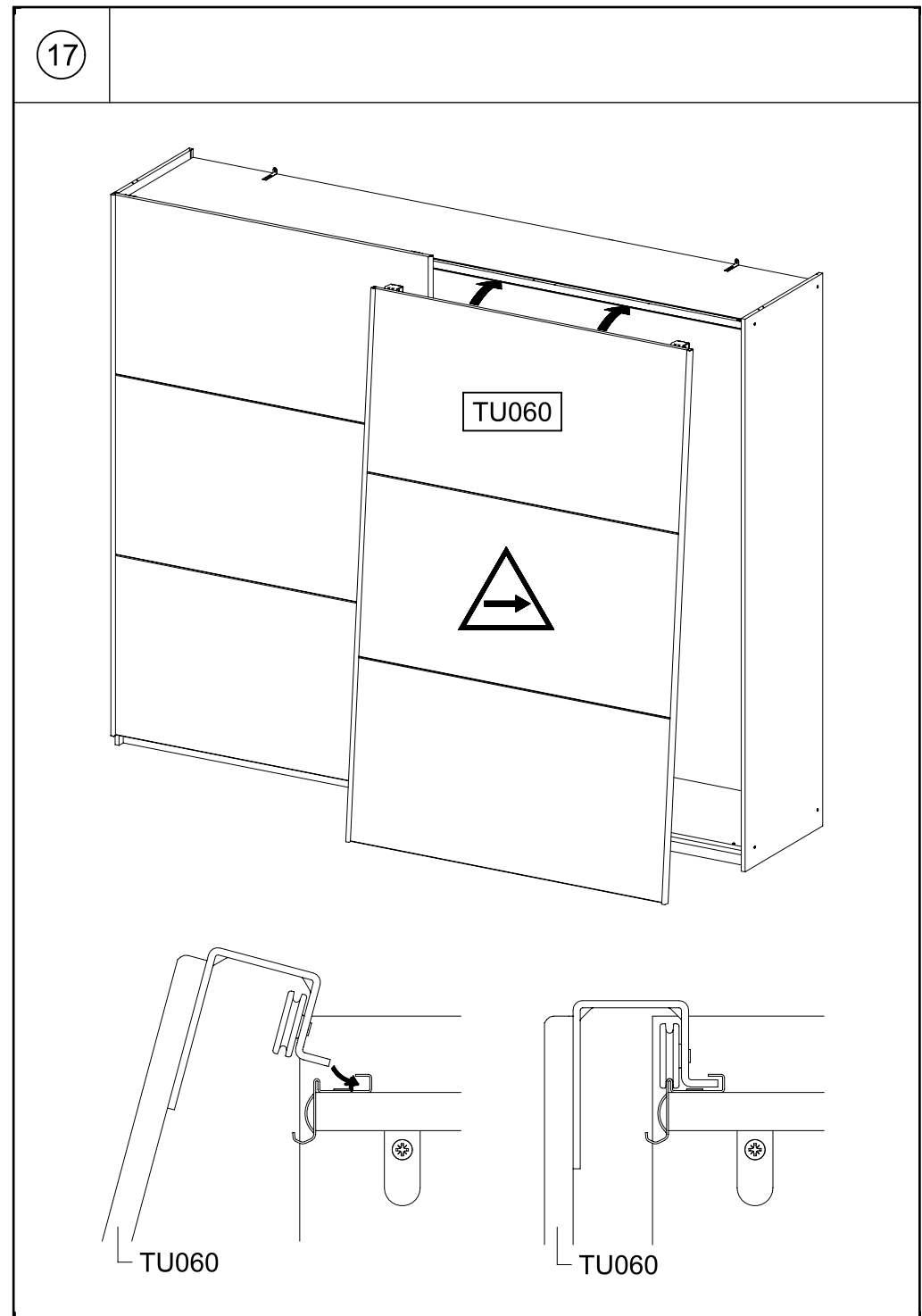
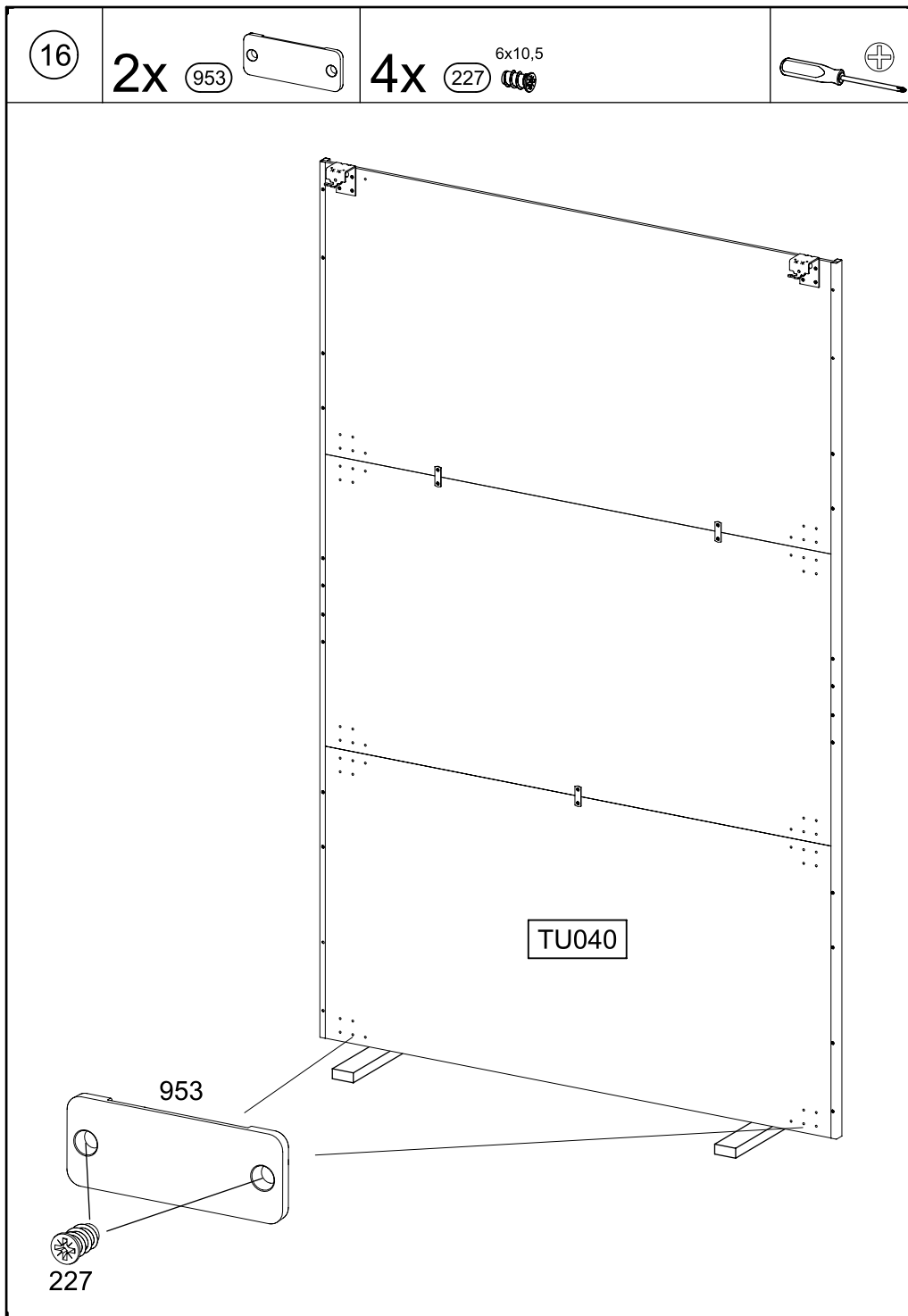


15

8x 227 6x10,5

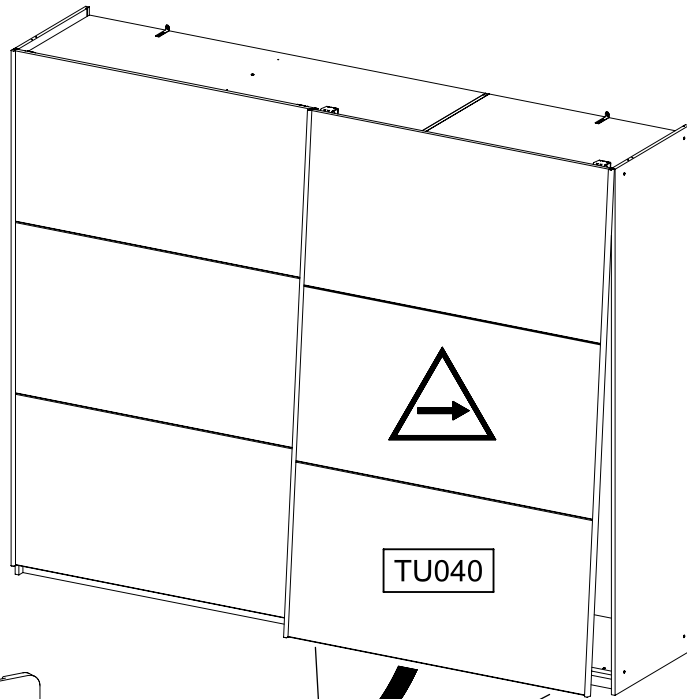
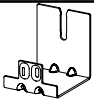
2x 952



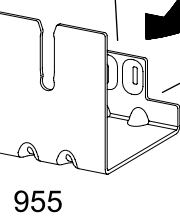
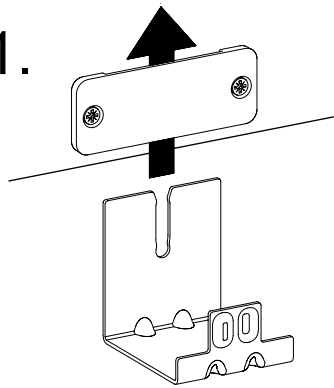


18

2x 955

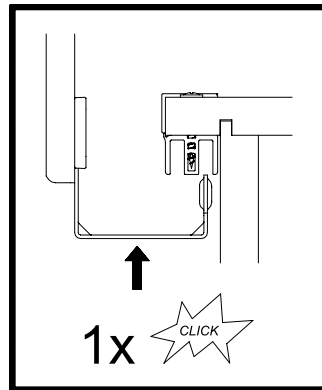
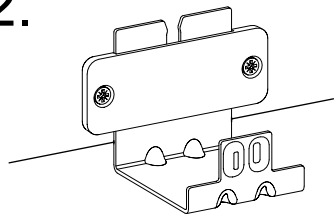


1.



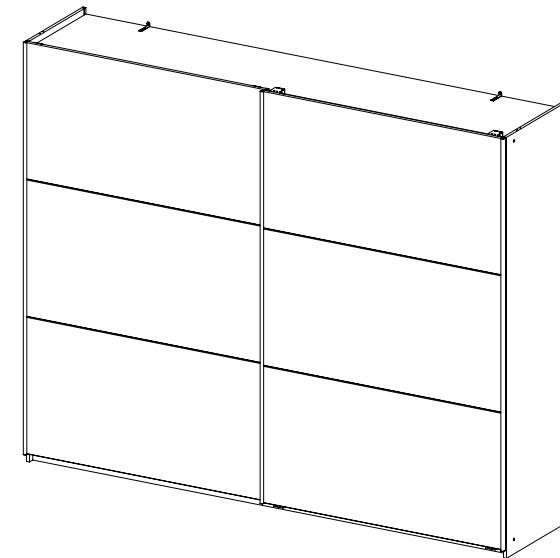
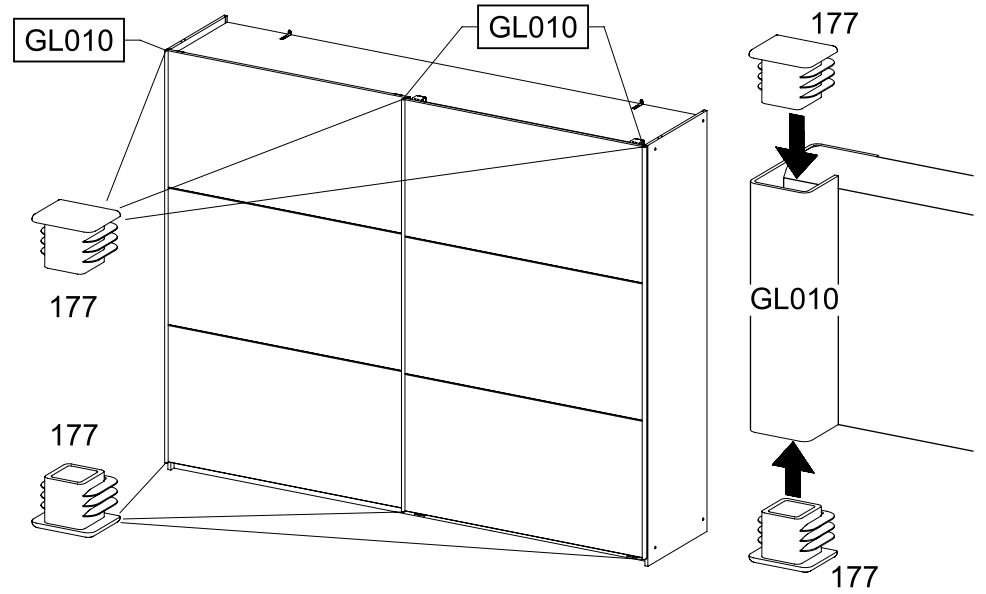
955

2.

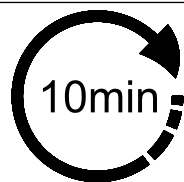
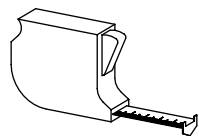



19

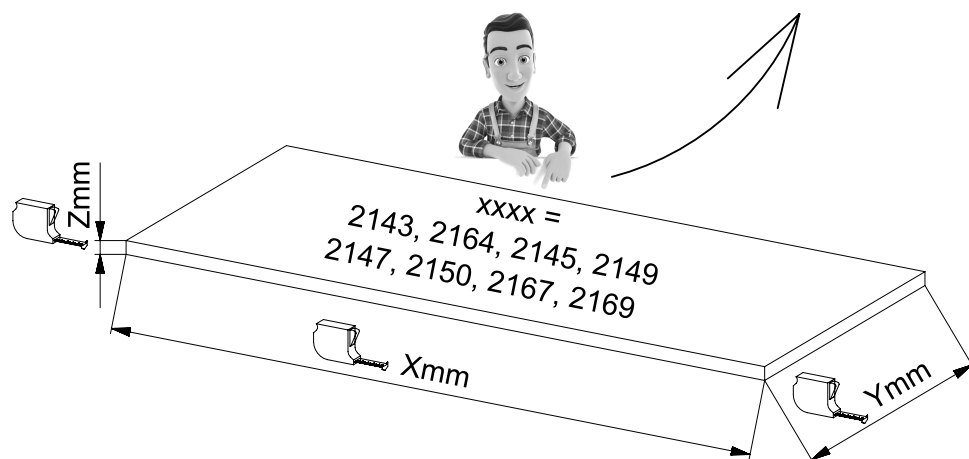
6x 177




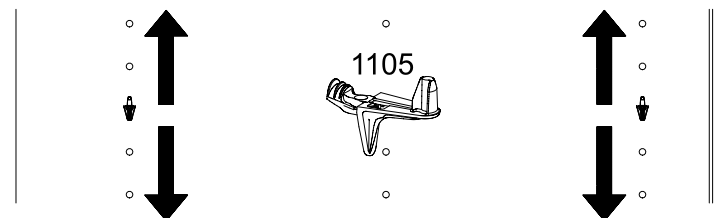
MZ112_05



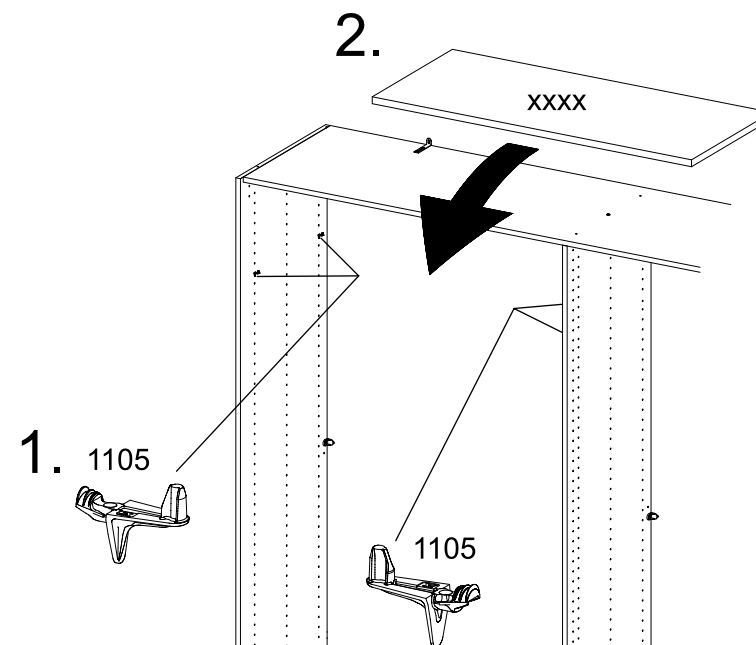
Xmm	Ymm	Zmm	 max. 10kg	XXXX
432mm	450mm	16mm	max. 10kg	2143
632mm	450mm	16mm	max. 10kg	2164
656mm	450mm	16mm	max. 10kg	2145
848mm	450mm	16mm	max. 10kg	2149
880mm	450mm	16mm	max. 10kg	2147
1064mm	450mm	22mm	max. 25kg	2150
848mm	395mm	16mm	max. 10kg	2167
632mm	395mm	16mm	max. 10kg	2169



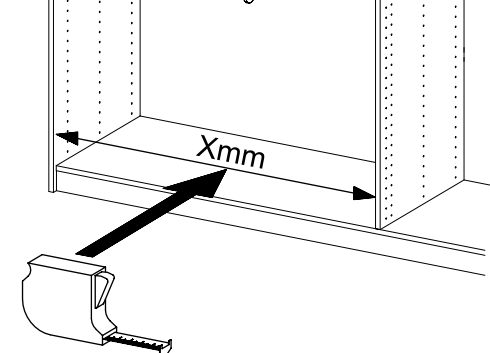
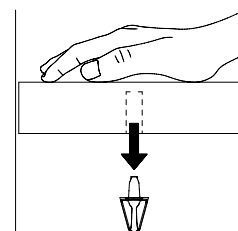
1

4x  1105

2.

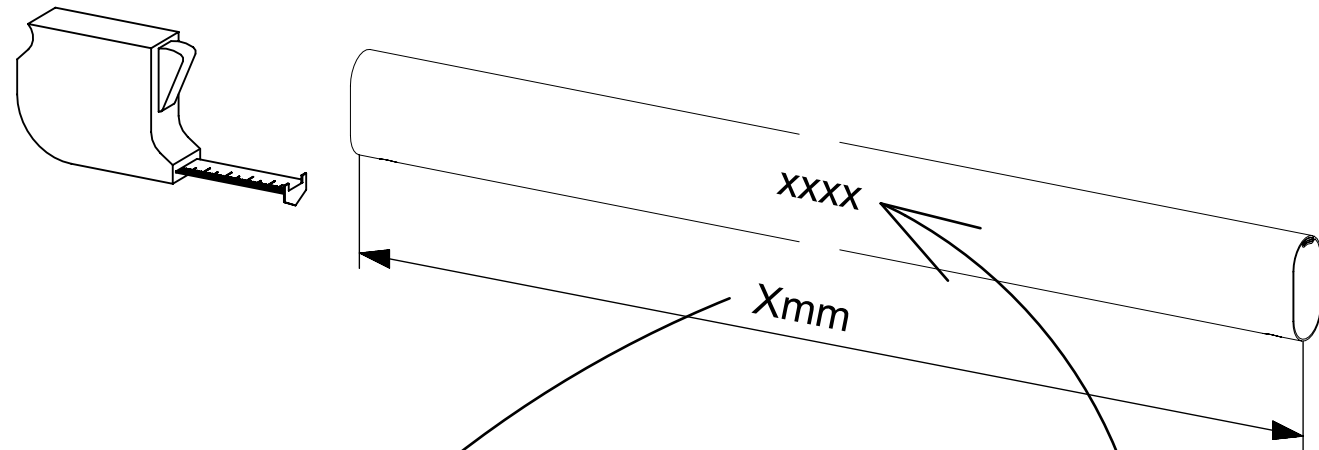
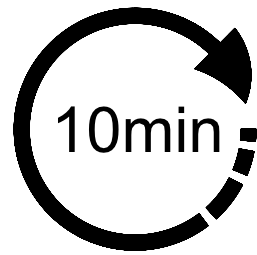
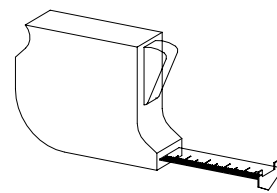
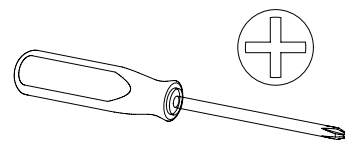


3.



MZ127_02

rauch



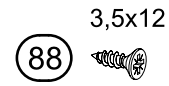
Xmm			xxxx
625mm	max. 40kg		2009
841mm	max. 40kg		2005
1057mm	max. 40kg		2007



xxxx = 2009, 2005
2007

1

2x



2x

