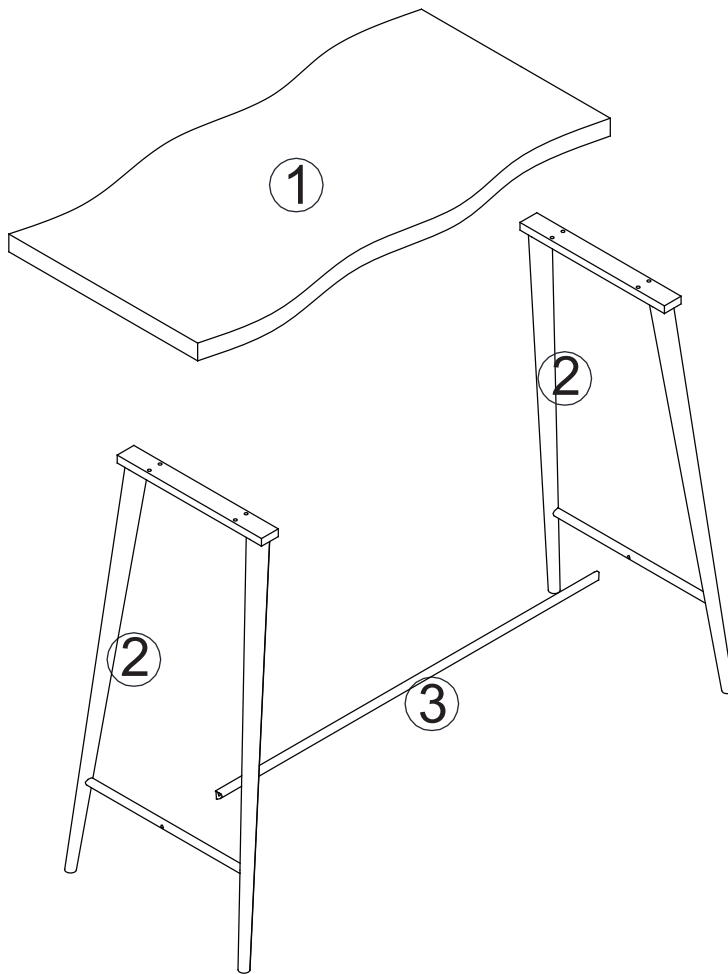
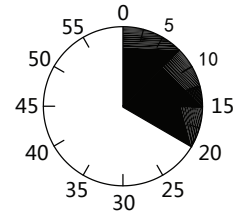
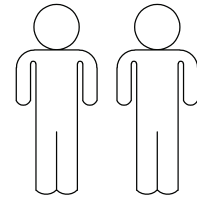


# Gabi



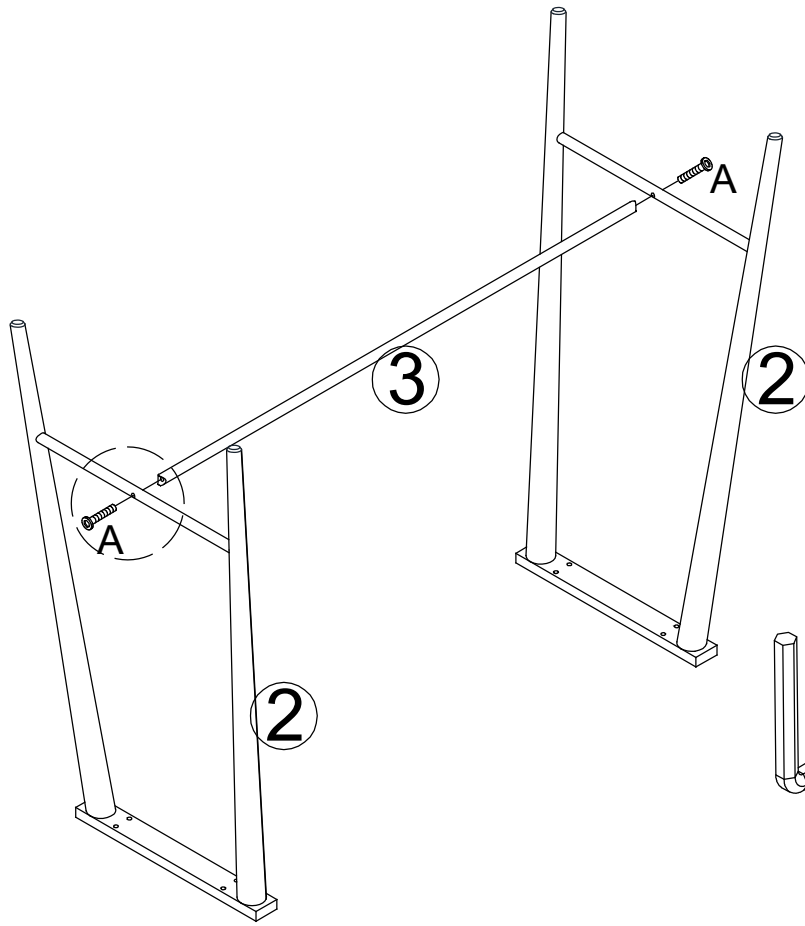
|   |    |     |
|---|----|-----|
|   |    |     |
| 1 | 1x | 1/2 |
| 2 | 2x | 2/2 |
| 3 | 1x | 2/2 |

2/2

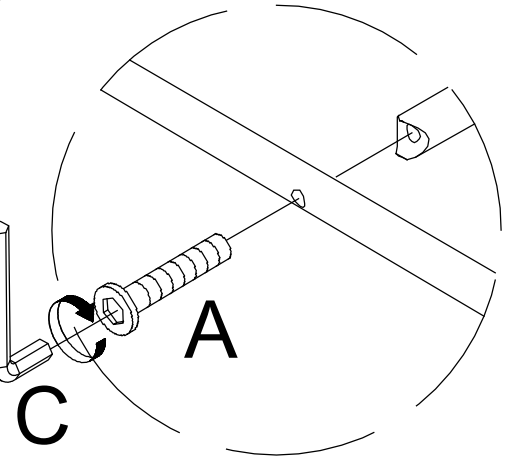
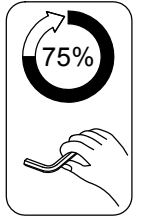
|          |         |          |            |          |    |
|----------|---------|----------|------------|----------|----|
| <b>A</b> | M6x35mm | <b>B</b> | ∅16x∅6.5x1 | <b>C</b> | M4 |
|          | 10x     |          | 8x         |          | 1x |

I.

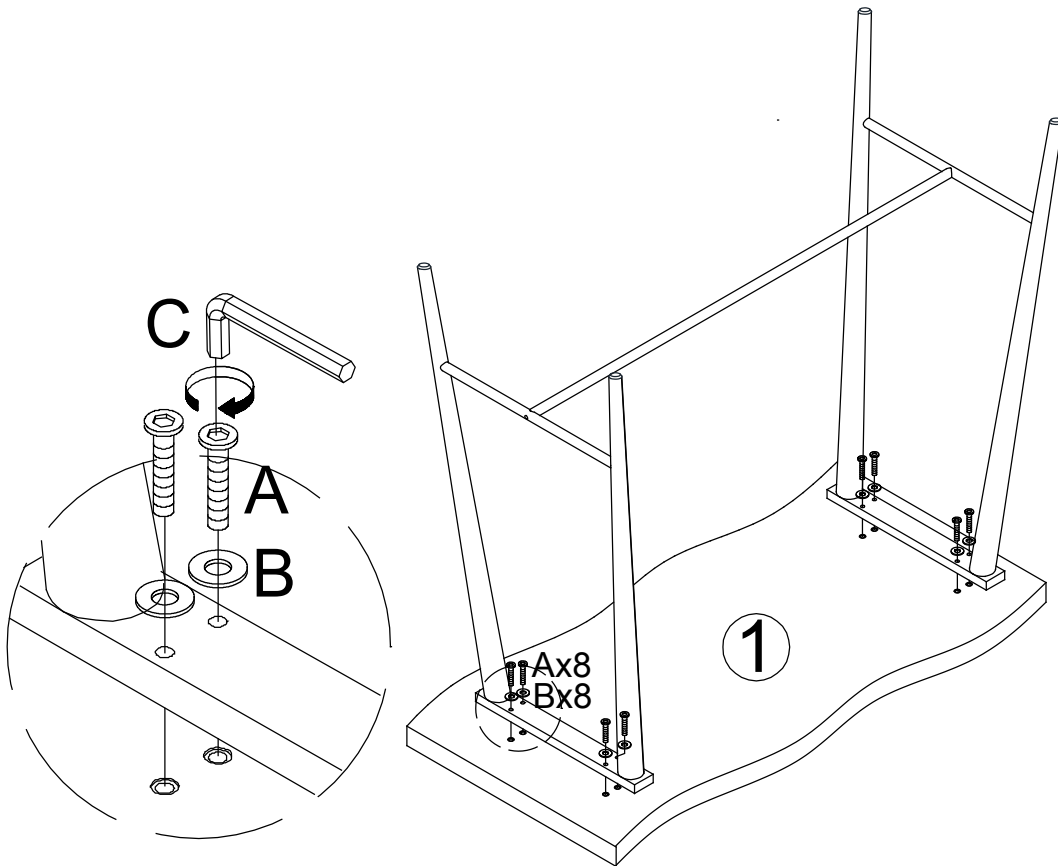
1



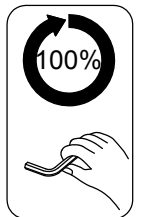
|   |         |
|---|---------|
| A | M6x35mm |
|   | 2x      |
| C | M4      |
|   | 1x      |



2

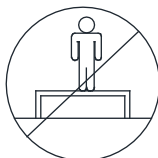
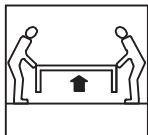
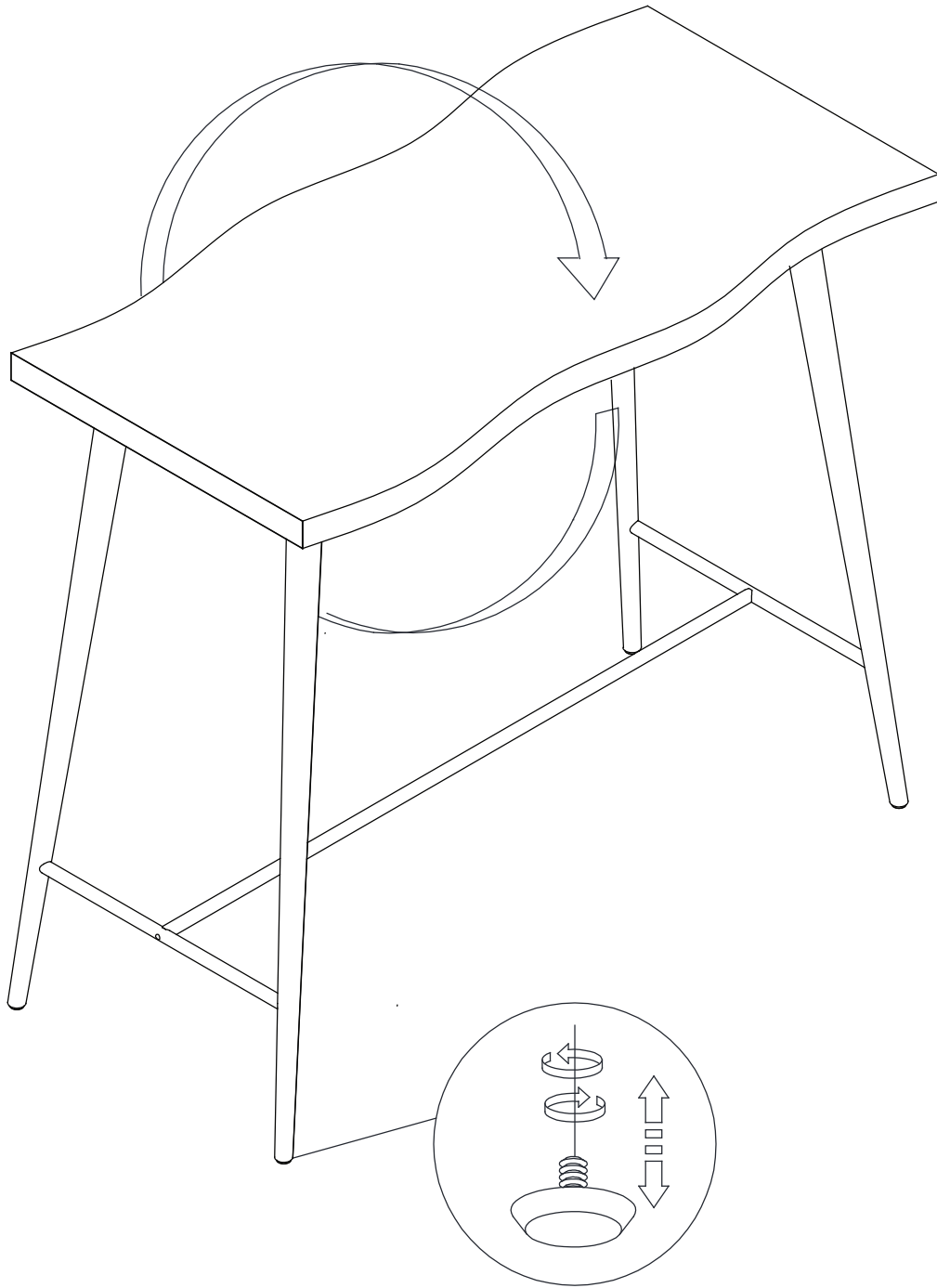


|   |            |
|---|------------|
| A | M6x35mm    |
|   | 8x         |
| B | ø16xø6.5x1 |
|   | 8x         |
| C | M4         |
|   | 1x         |



II.

3.



Séparez les éléments avant de trier