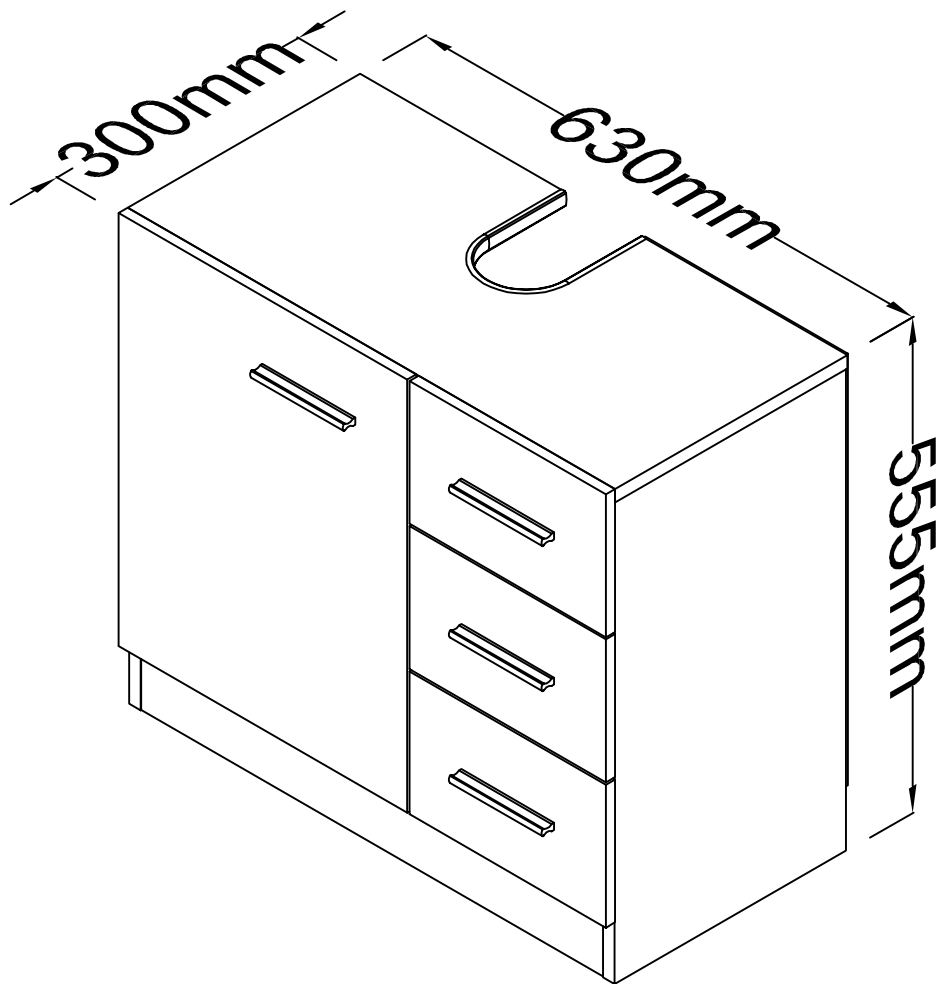
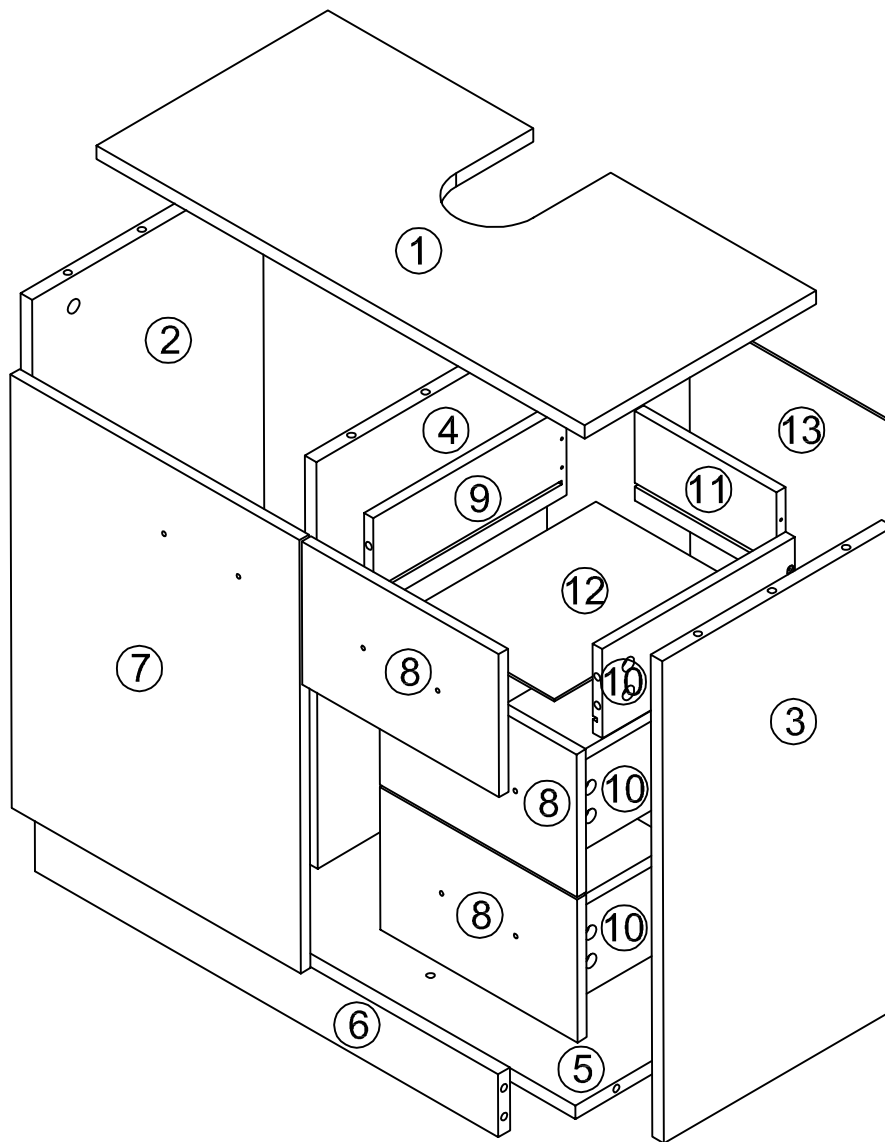




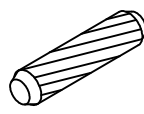

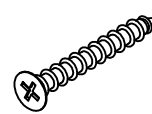
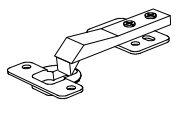
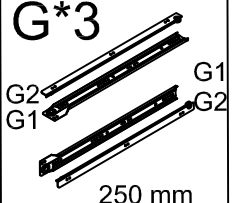
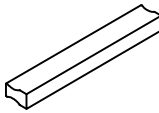
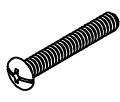
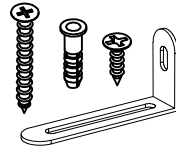
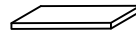
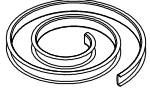



Unterschrank Zalo XL
Montageanleitung
Instruction manual



VCM Morgenthaler GmbH
D-79346 Endingen am Kaiserstuhl
service@vcm-gruppe.de
www.vcm-gruppe.de



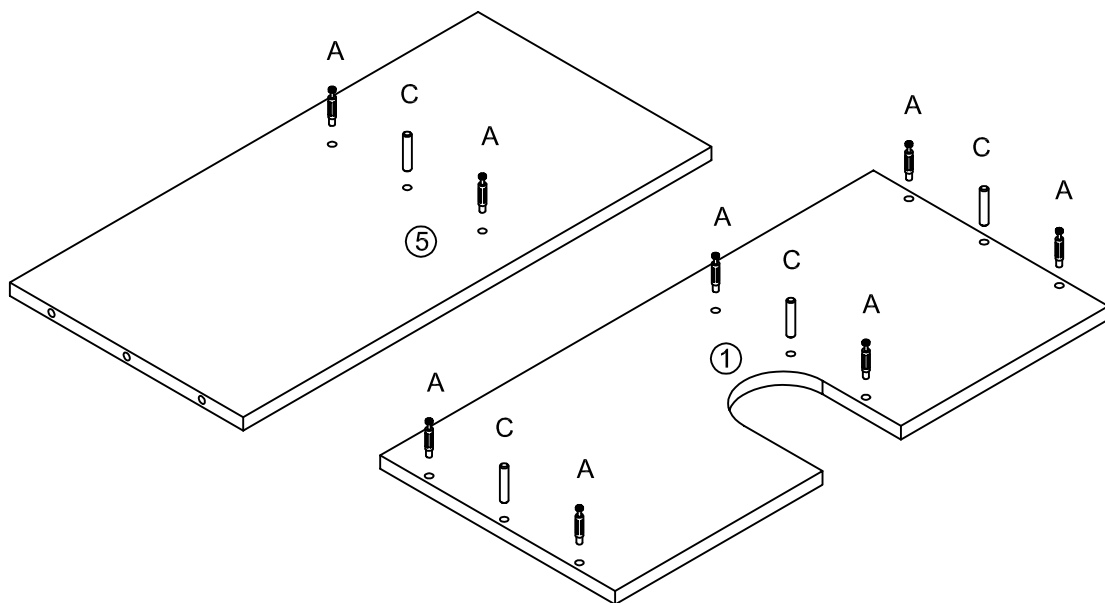
<p>A*28</p>  <p>40 mm</p>	<p>B*28</p>  <p>15*9 mm</p>	<p>C*6</p>  <p>8*40 mm</p>	<p>D*36</p>  <p>3.5*12 mm</p>	<p>E*12</p>  <p>3.5*30 mm</p>	<p>F*2</p> 
<p>G*3</p>  <p>250 mm</p>	<p>H*4</p> 	<p>I*8</p>  <p>3.5*16 mm</p>	<p>J*2</p> 	<p>K*4</p> 	<p>L*1</p>  <p>450 mm</p>
<p>M*13</p> 					

1

A*8



C*4

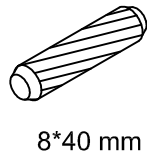


2

A*8



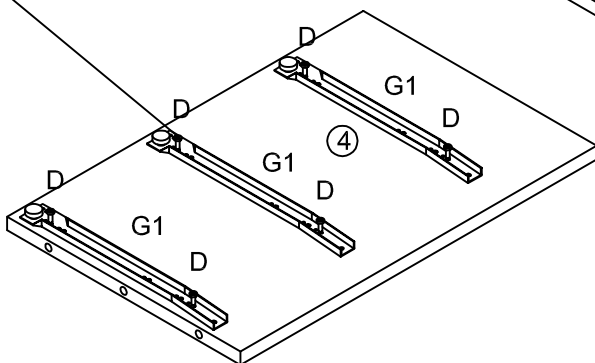
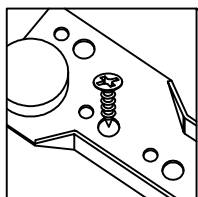
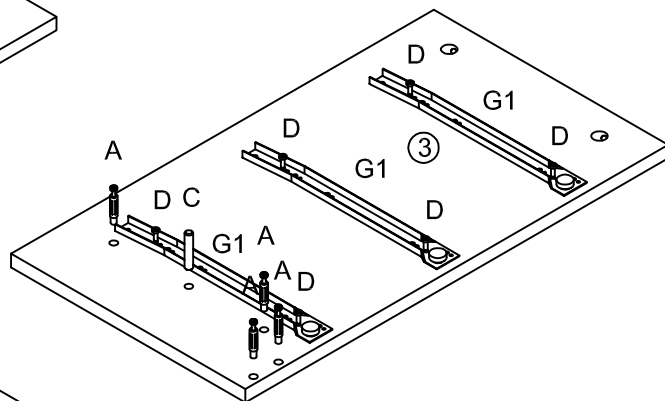
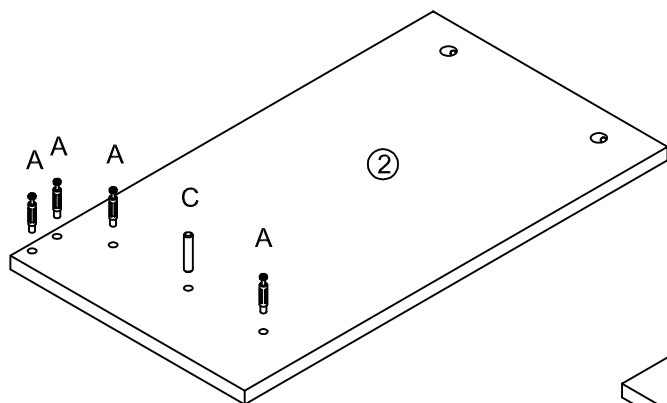
C*2



D*12



G*3

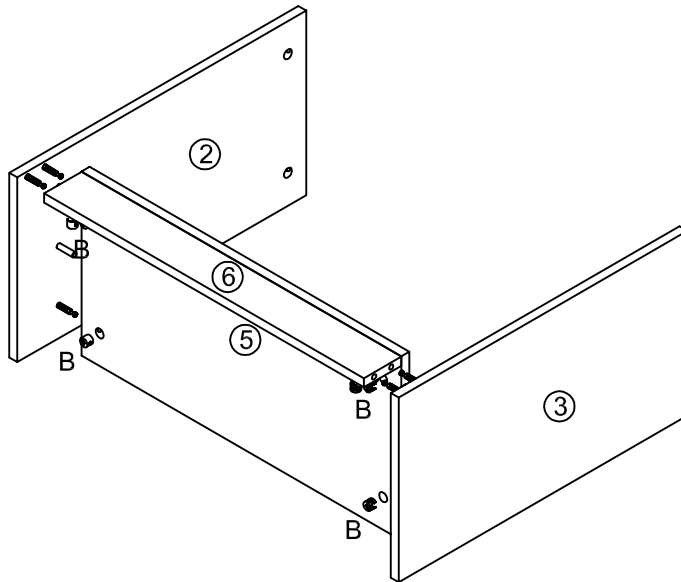


3

B*8



15*9 mm

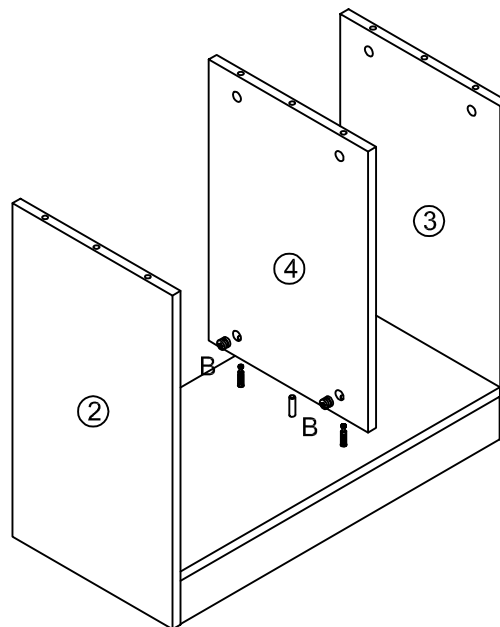


4

B*2



15*9 mm

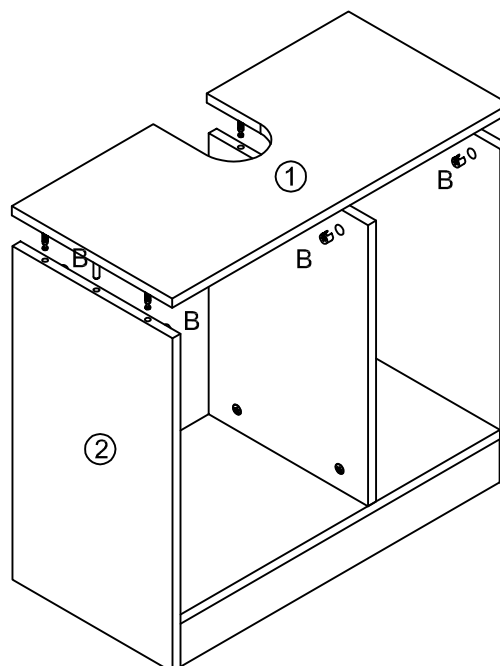


5

B*6



15*9 mm



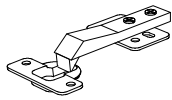
6

D*4

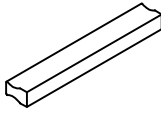


3.5*12 mm

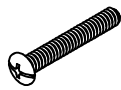
F*2



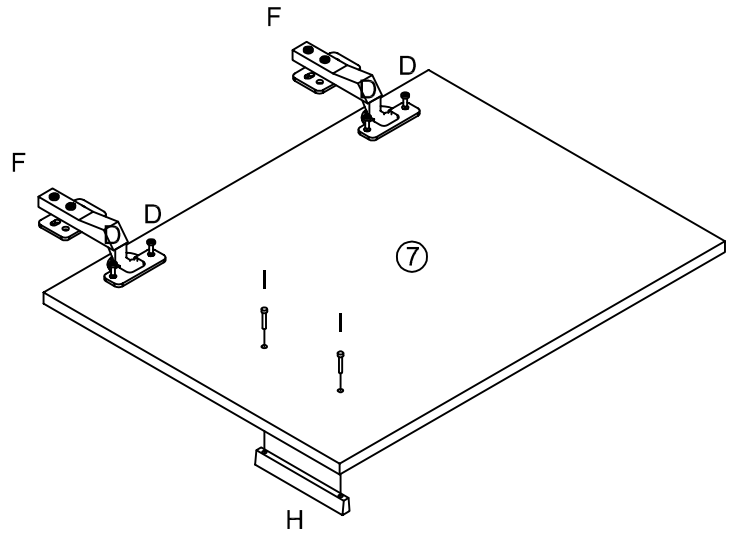
H*1



I*2



3.5*16 mm



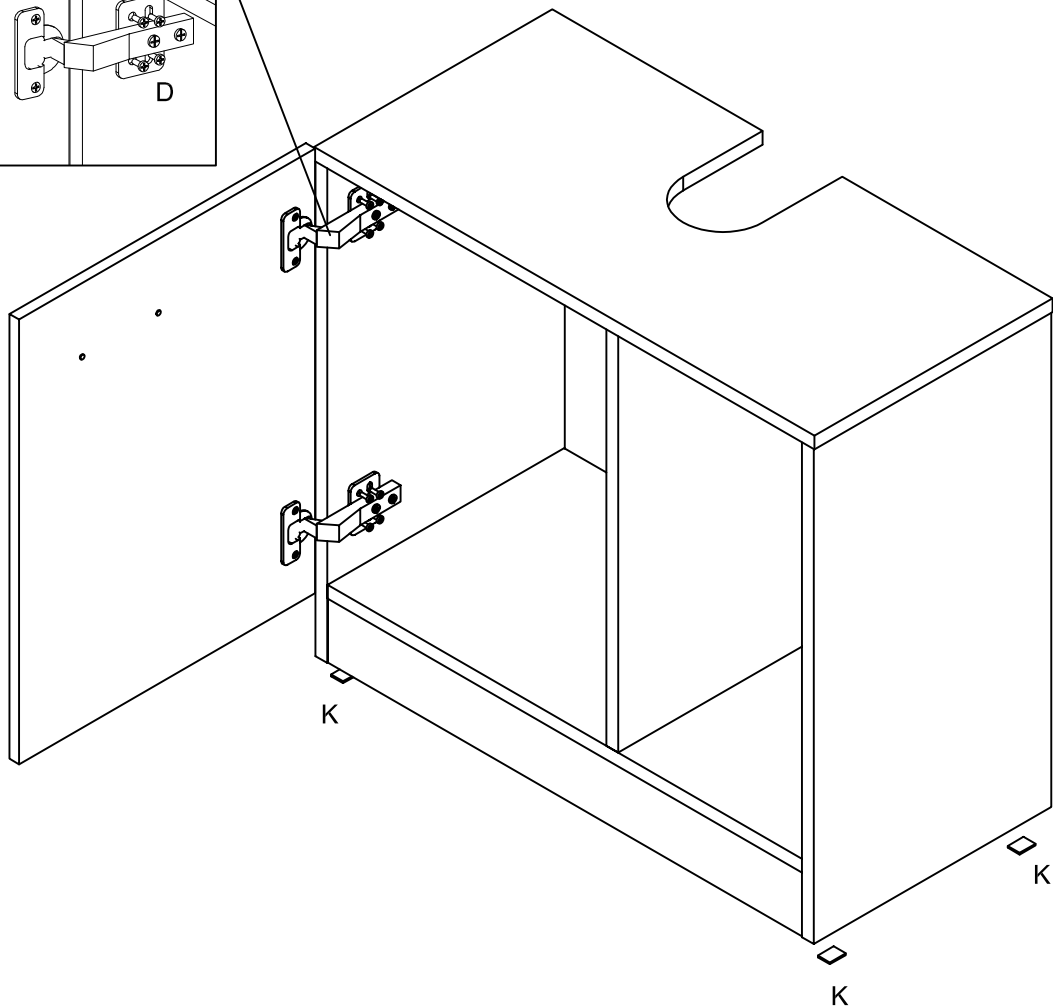
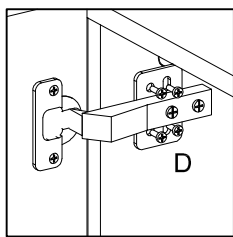
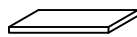
7

D*8



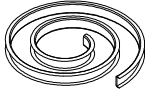
3.5*12 mm

K*4

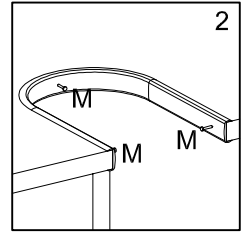
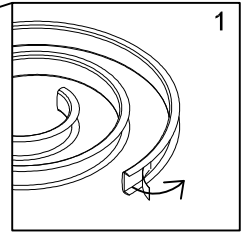
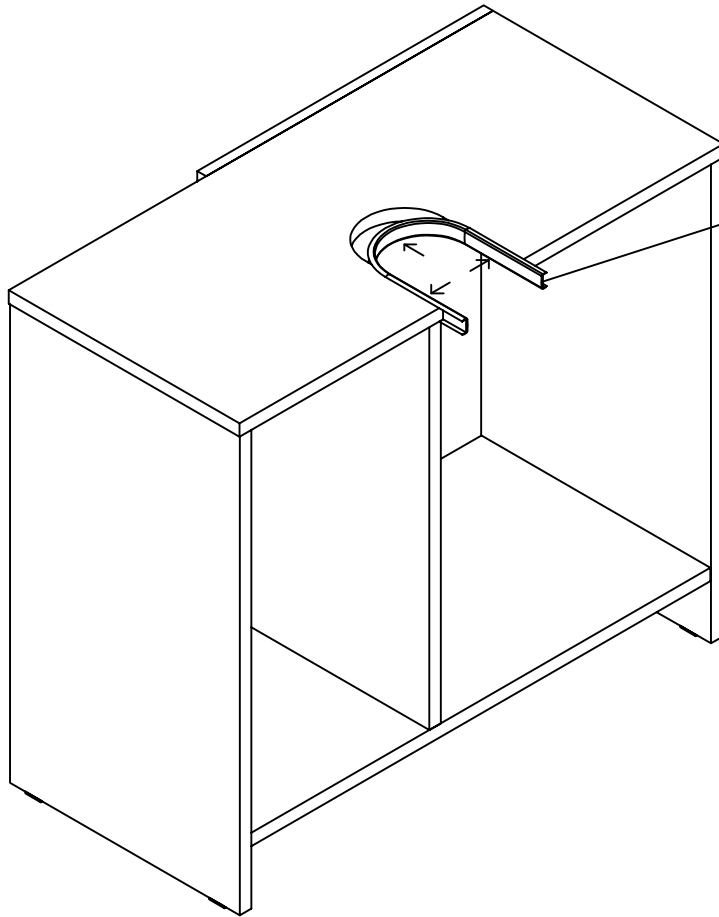


8

L*1

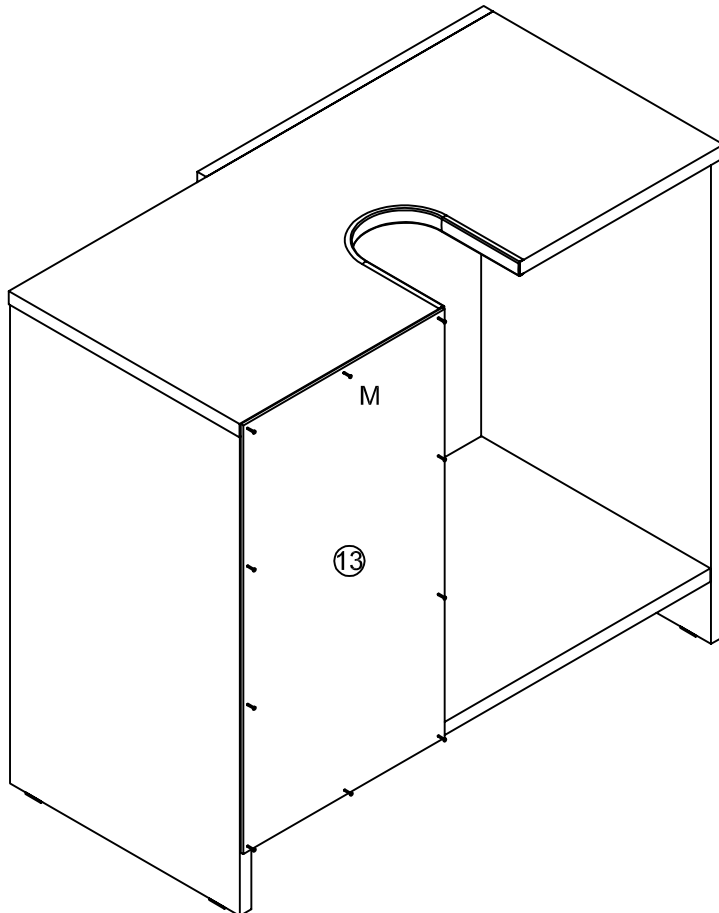


M*3

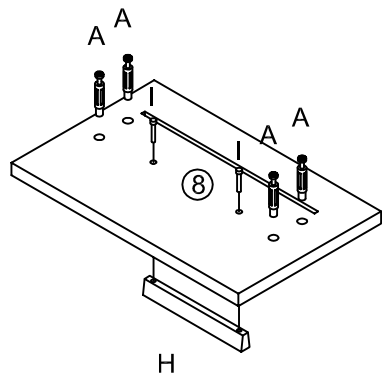
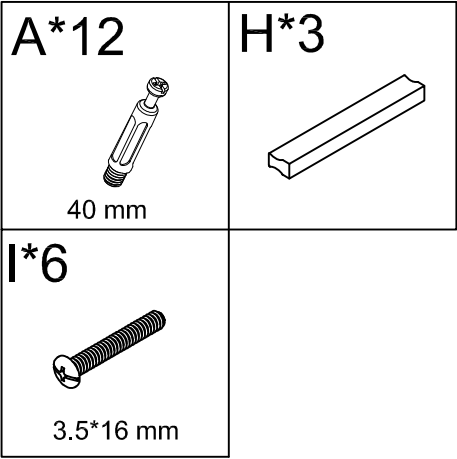


9

M*10

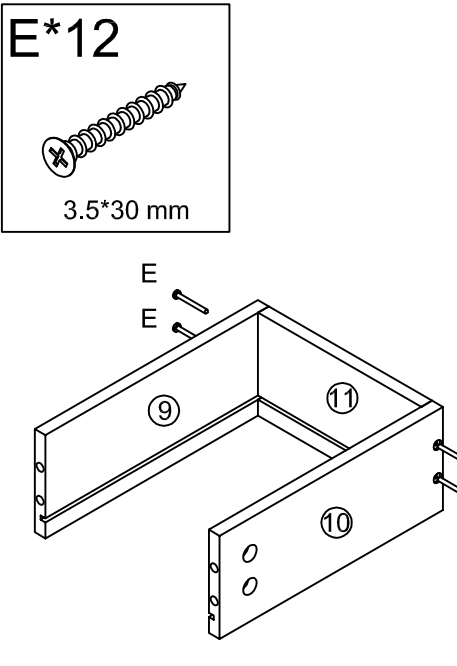


10



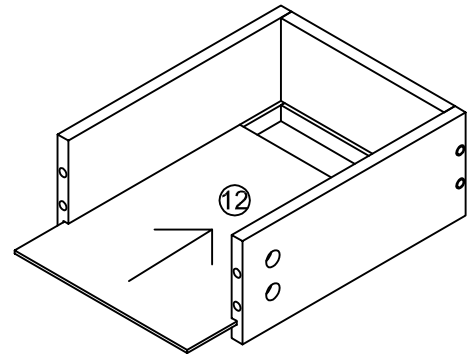
x3

11



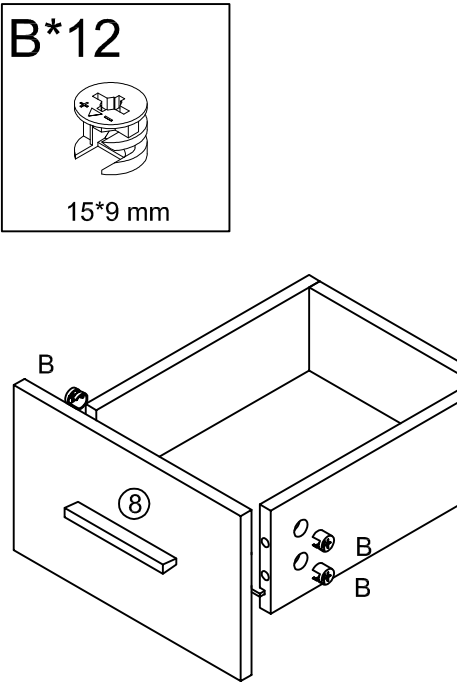
x3

12



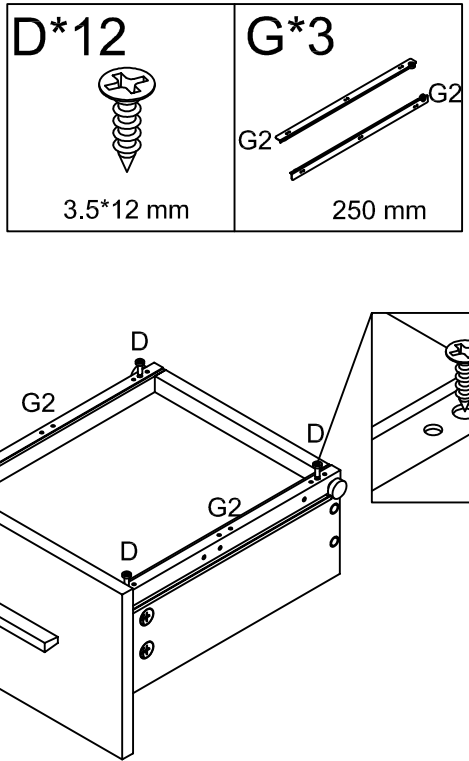
x3

13



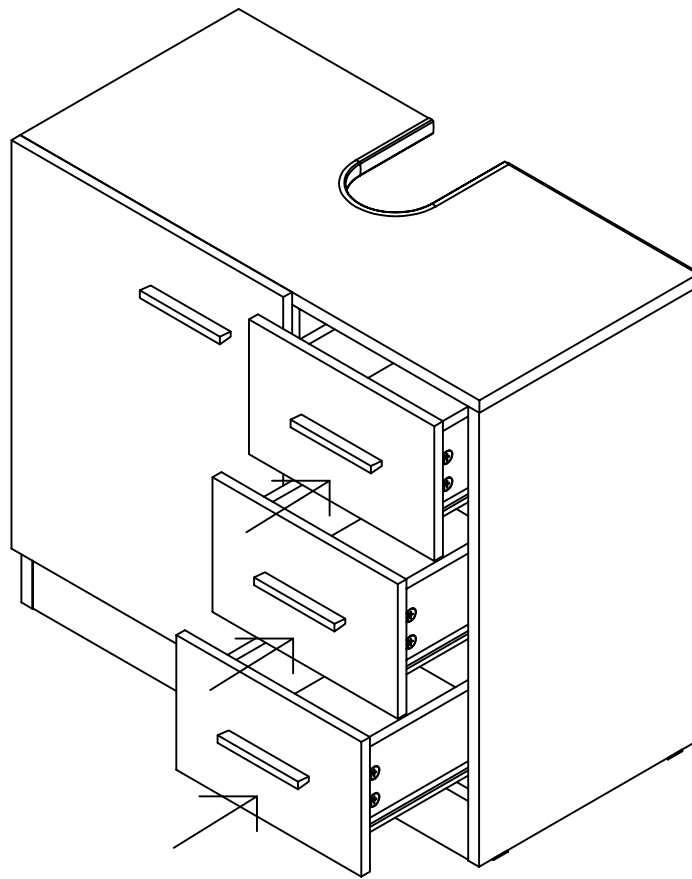
x3

14



x3

15



16

