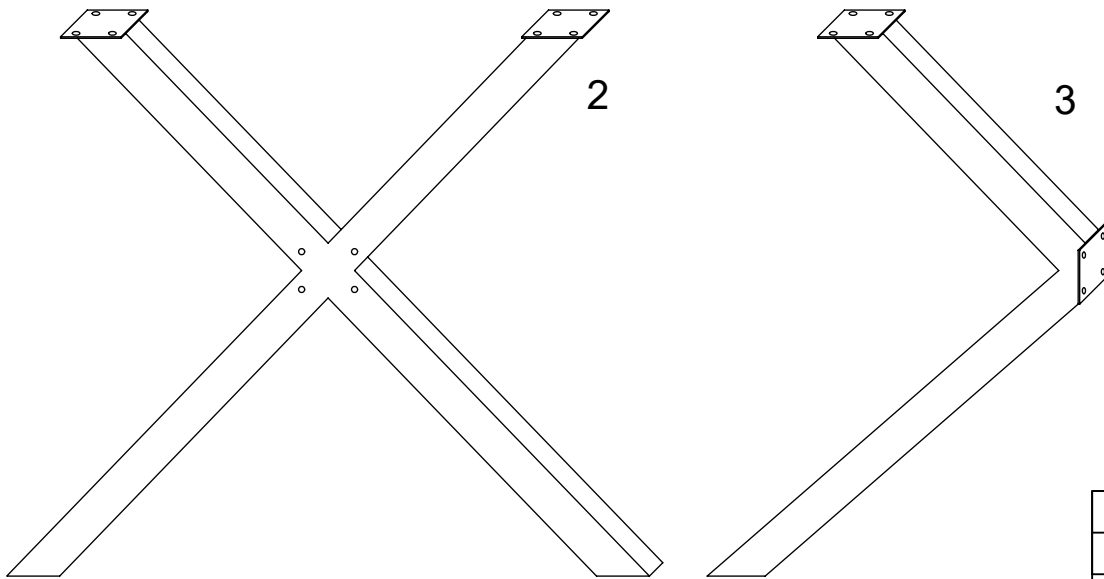
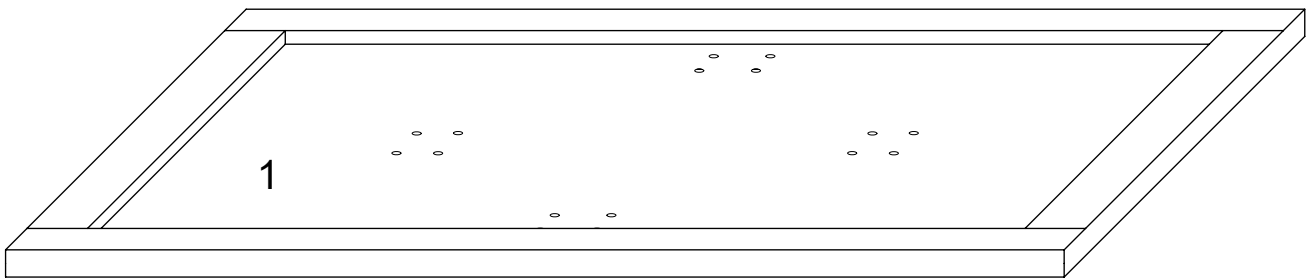
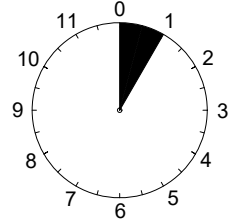
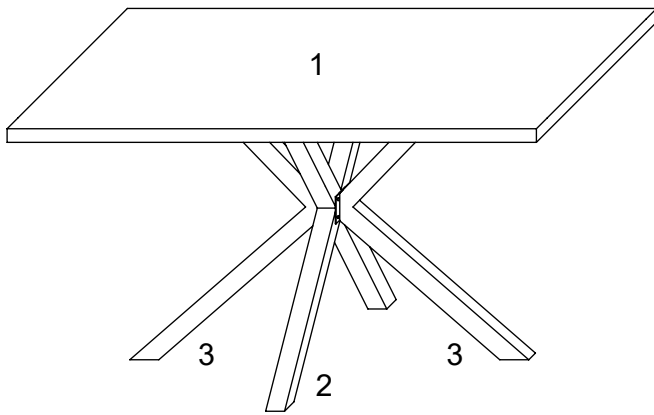
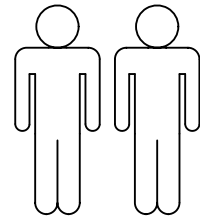
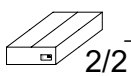


"Cleo"



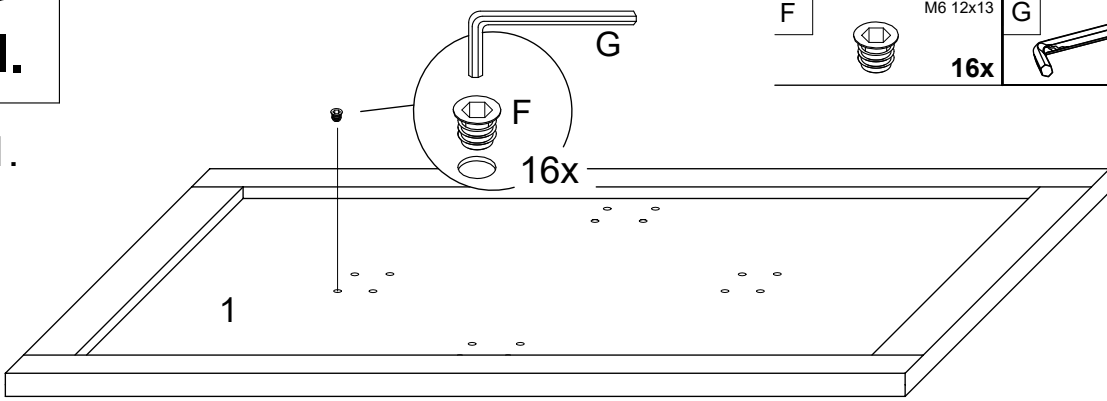
1	1x	1/2
2	1x	2/2
3	2x	2/2



A	M6x16 24x	B	D13*D6.5*1.5mm 8x	C	4x	D	SW 4 1x	E	D18*D6.5*1.5mm 16x
F	M6 12x13 16x	G	SW 6 1x						

I.

1.



F

M6 12x13

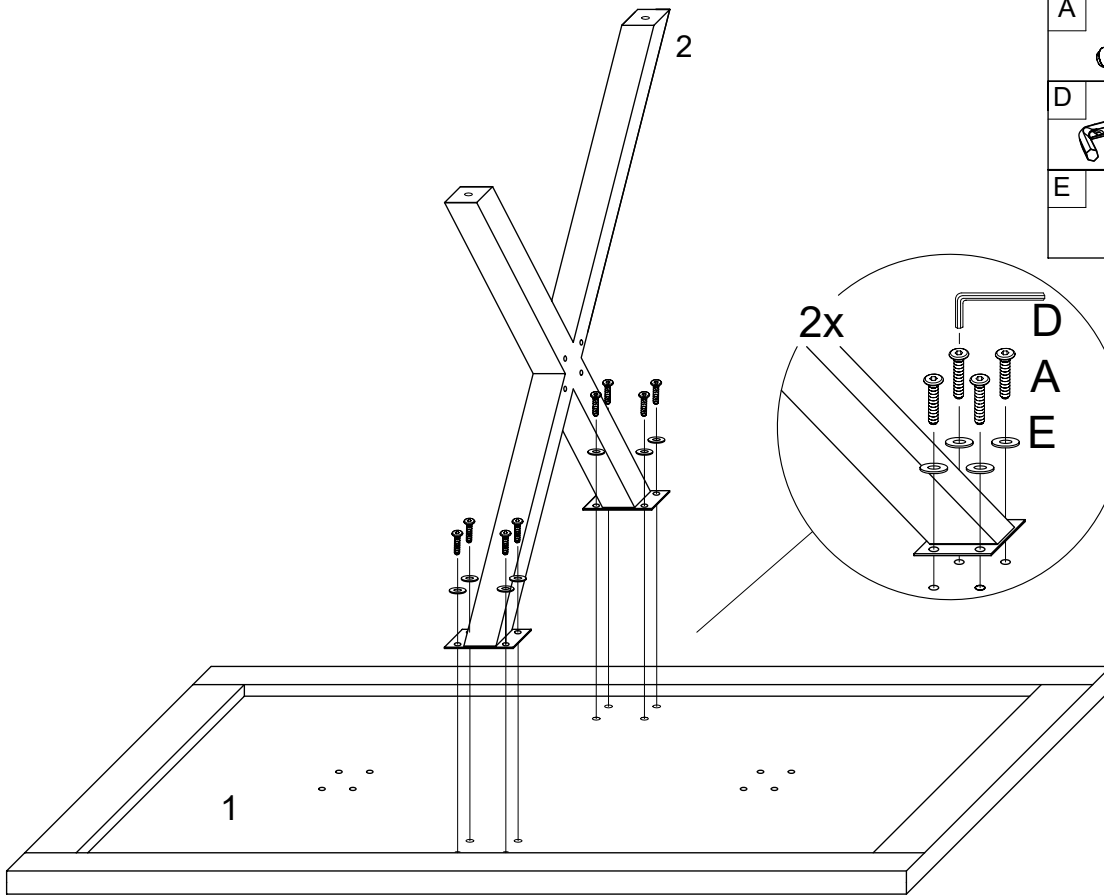
G

SW 6

16x

1x

2.



A

M6x16

8x

D

SW 4

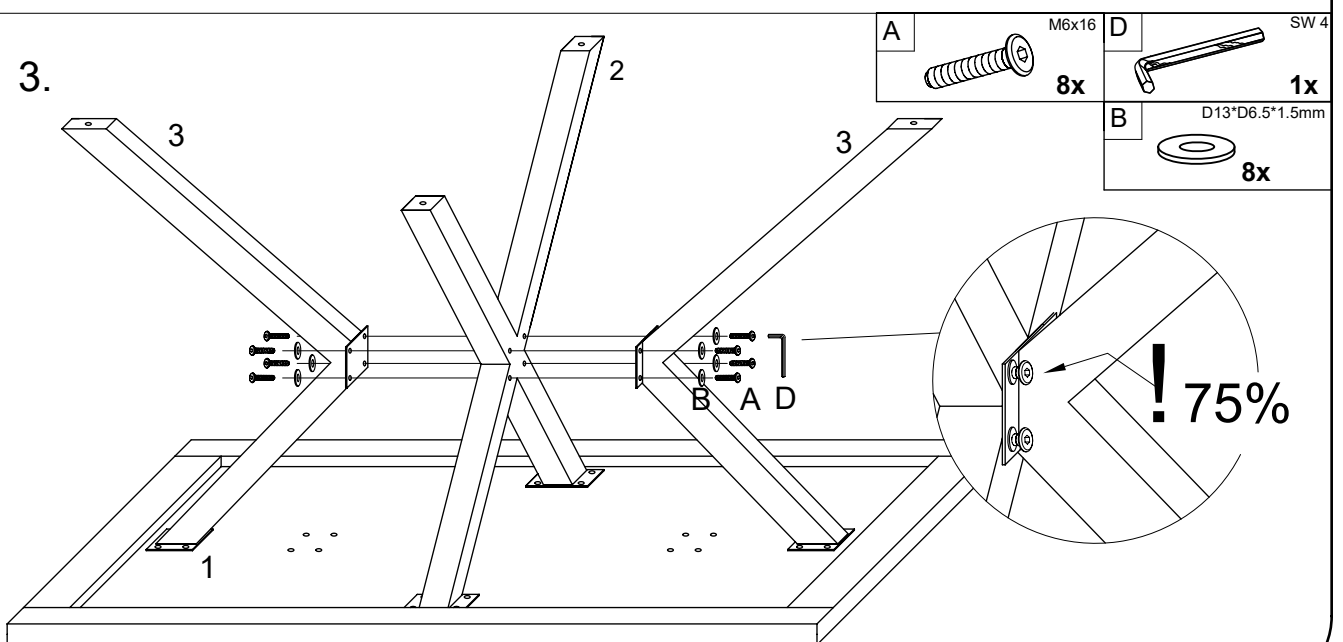
1x

E

D18*D6.5*1.5mm

8x

3.



A

M6x16

8x

D

SW 4

1x

B

D13*D6.5*1.5mm

8x

! 75%

II.

4.

4x

C

3

A

M6x16

8x

C

4x

SW 4

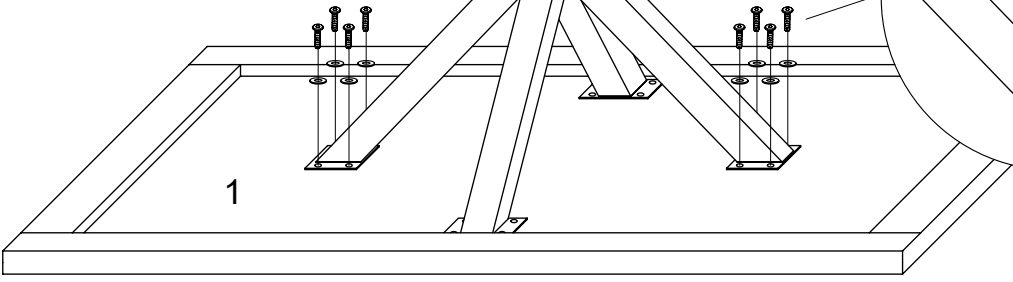
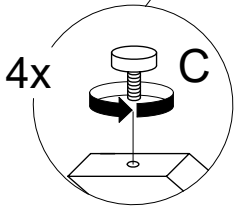
D

1x

E

D18*D6.5*1.5mm

8x



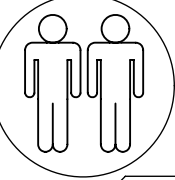
2x

D

A

E

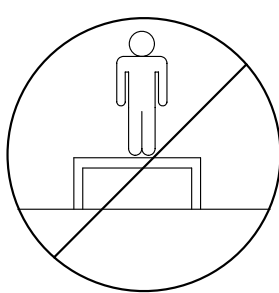
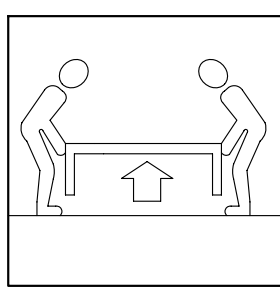
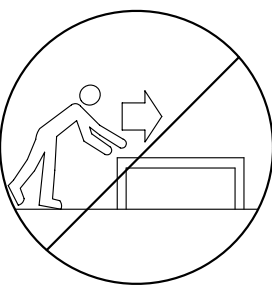
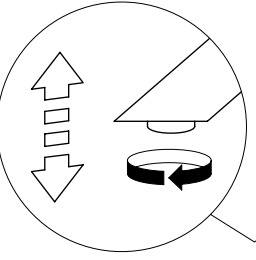
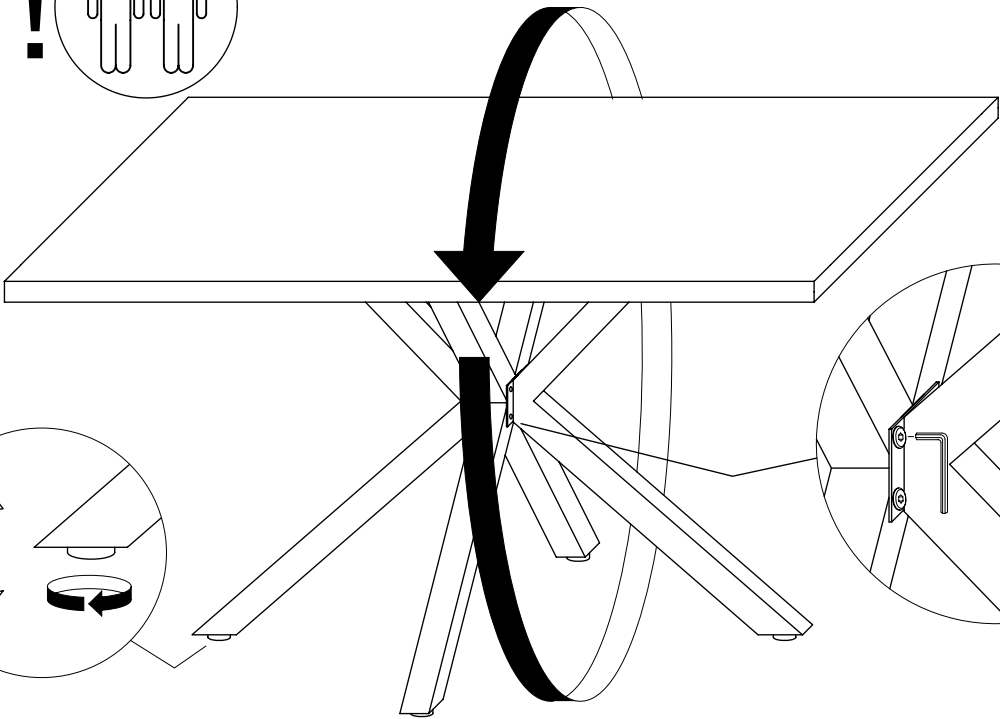
5.



D

SW 4

1x



LE TRI + FACILE



BAC DE TRI

Séparez les éléments avant de trier