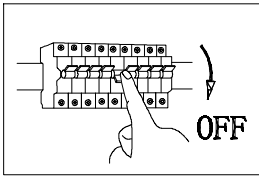
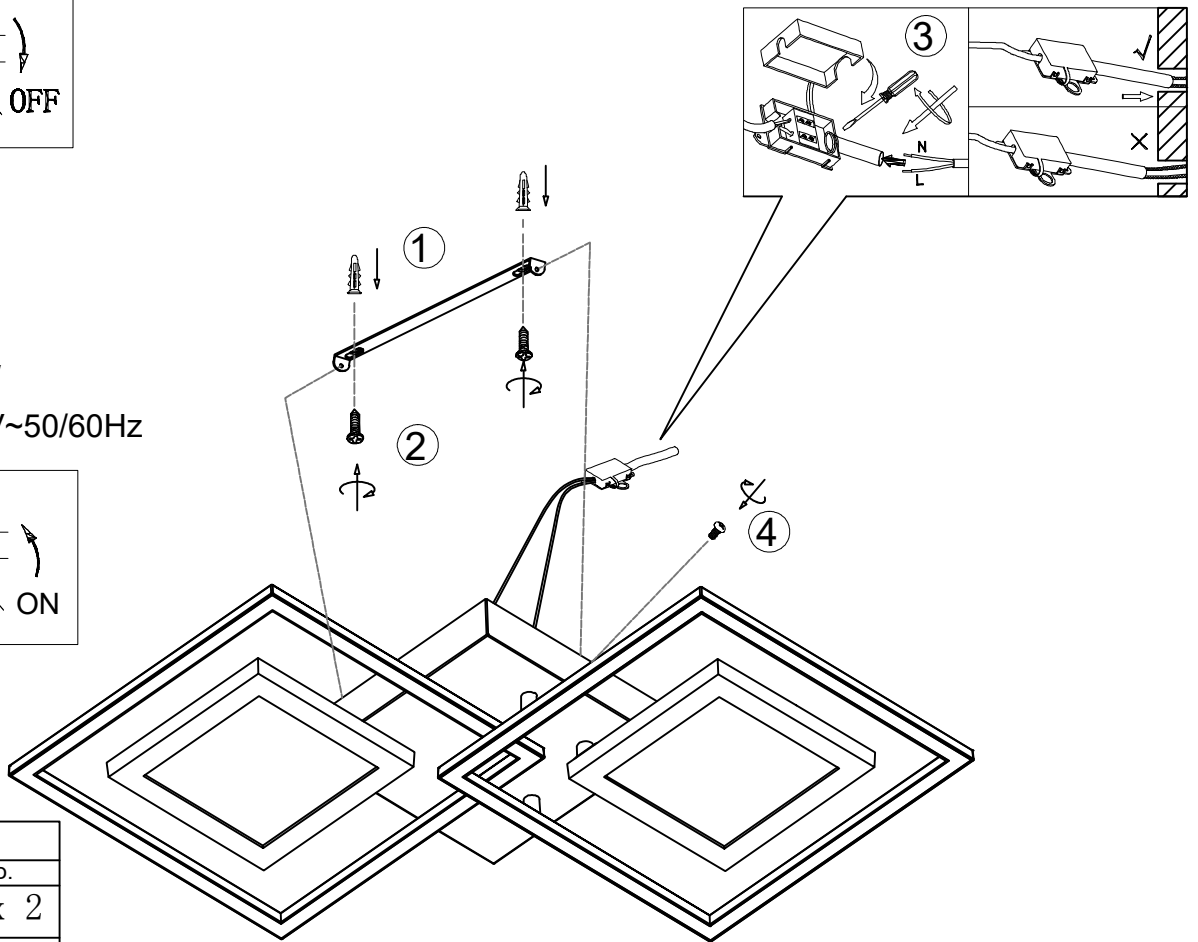
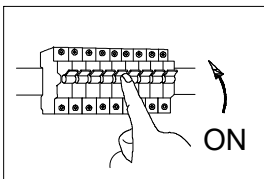


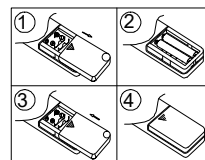
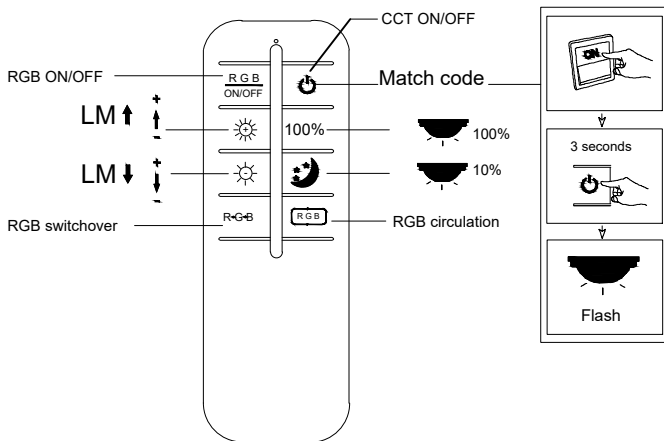
# C15757PN / 5993551/01



1 x LED 24W  
AC 220-240V~50/60Hz



Spare parts		
code	part	no.
①		X 2
②		X 2



Batteries: 2 x AAA(excl.)

Frequency bands  
2402-2483,5MHz  
≤5dBm



excl. Batteries

