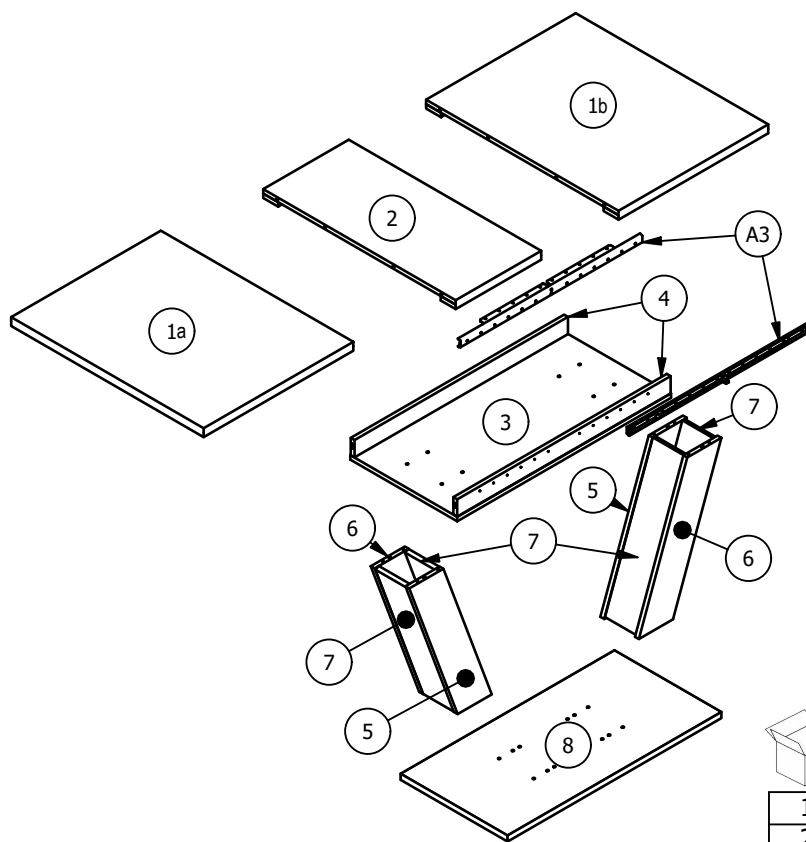
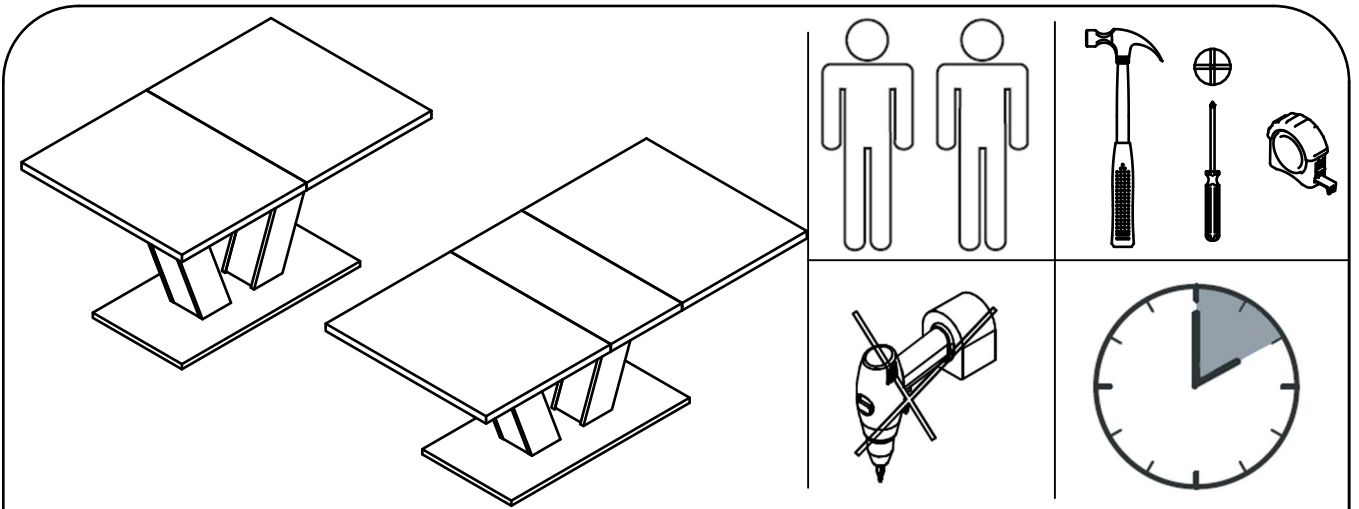
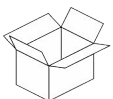





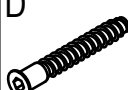

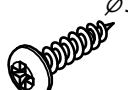


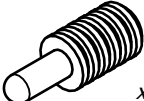
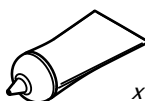

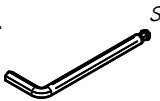
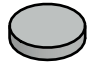
# Hamm



1/2	1a/b	2x	900x700x36
2/2	2	1x	900x400x36
2/2	3	1x	1000x500x18
2/2	4	2x	998x70x18
1/2	5	2x	717x150x18
1/2	6	2x	717x150x18
2/2	7	4x	655x144x18
2/2	8	1x	1000x500x25
1/2	A3	2x	L-850



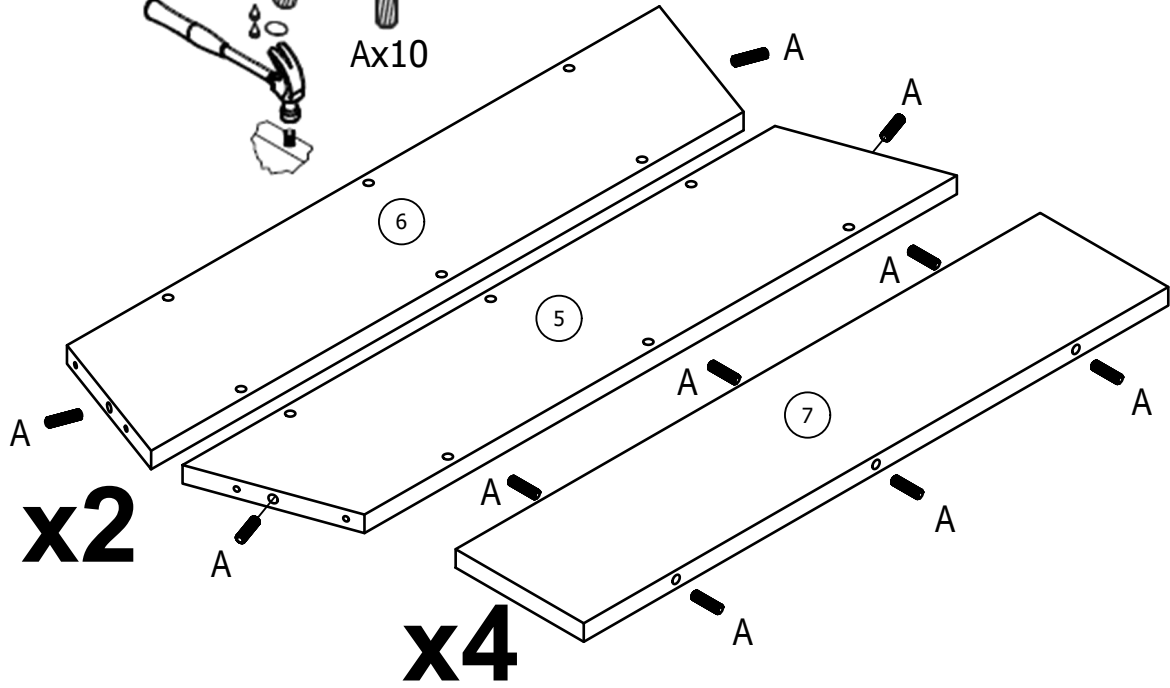
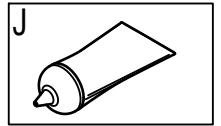
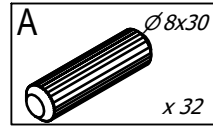
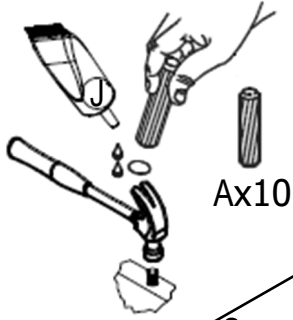
2/2

A	 $\varnothing 8 \times 30$ x 36	B	 $\varnothing 15$ x 8	C	 $\varnothing 7 \times 70$ x 8	D	 $\varnothing 7 \times 50$ x 16	E	 $\varnothing 3,5 \times 16$ x 32	F	 $\varnothing 3,5 \times 16$ x 20
G	 x 6	H	 x 8	I	 x 8	J	 x 3	K	 x 4	L	 SW4 x 1
M	 x 4										

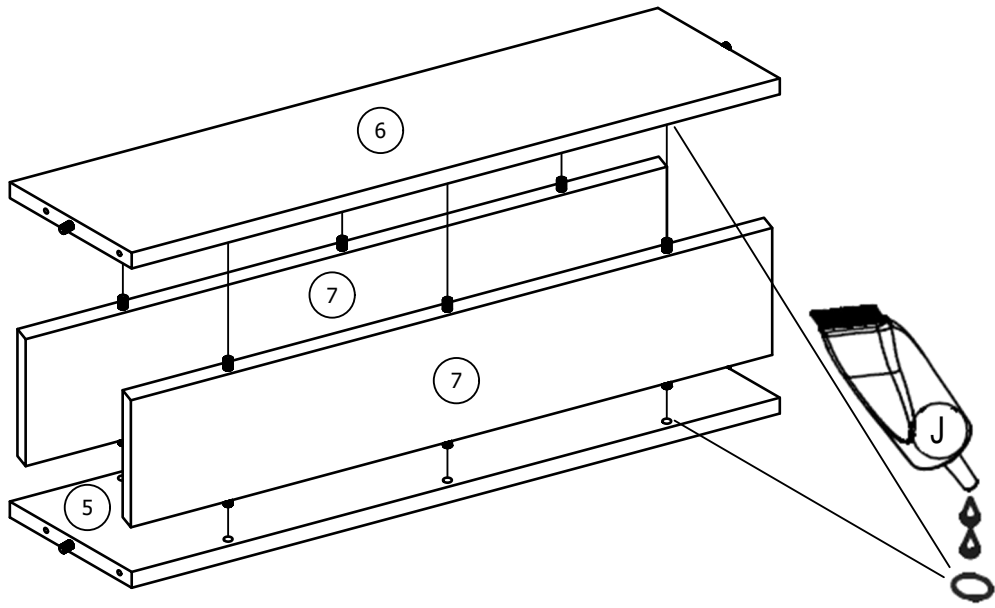
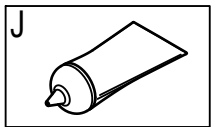
51/25

1/8

I.

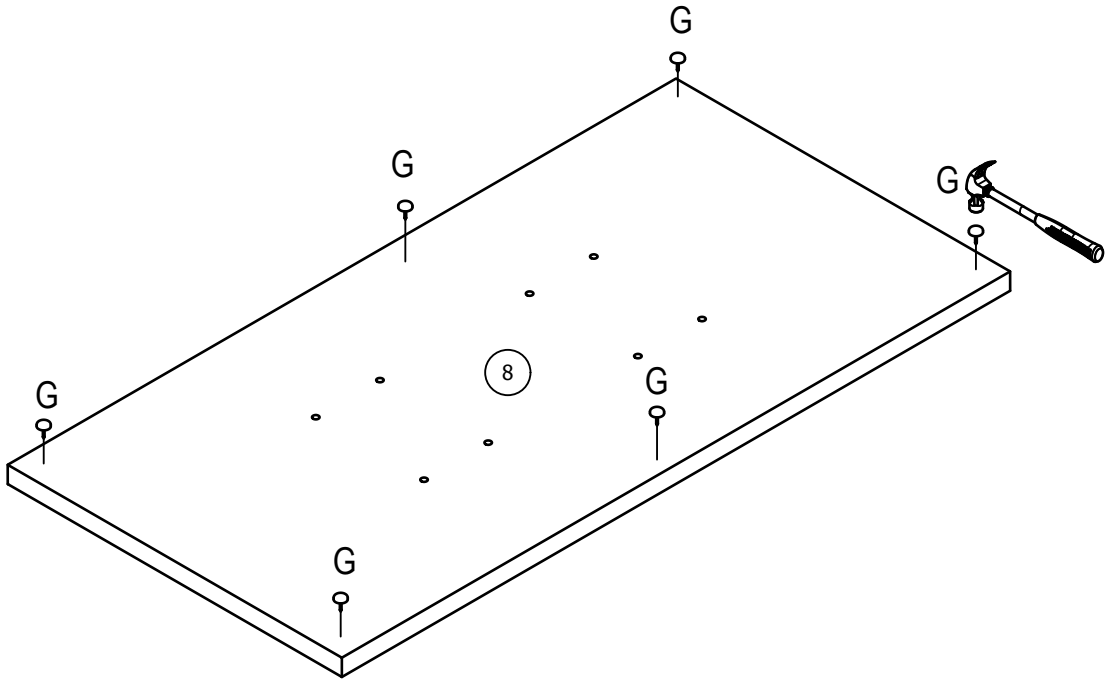
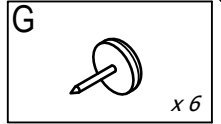


II.

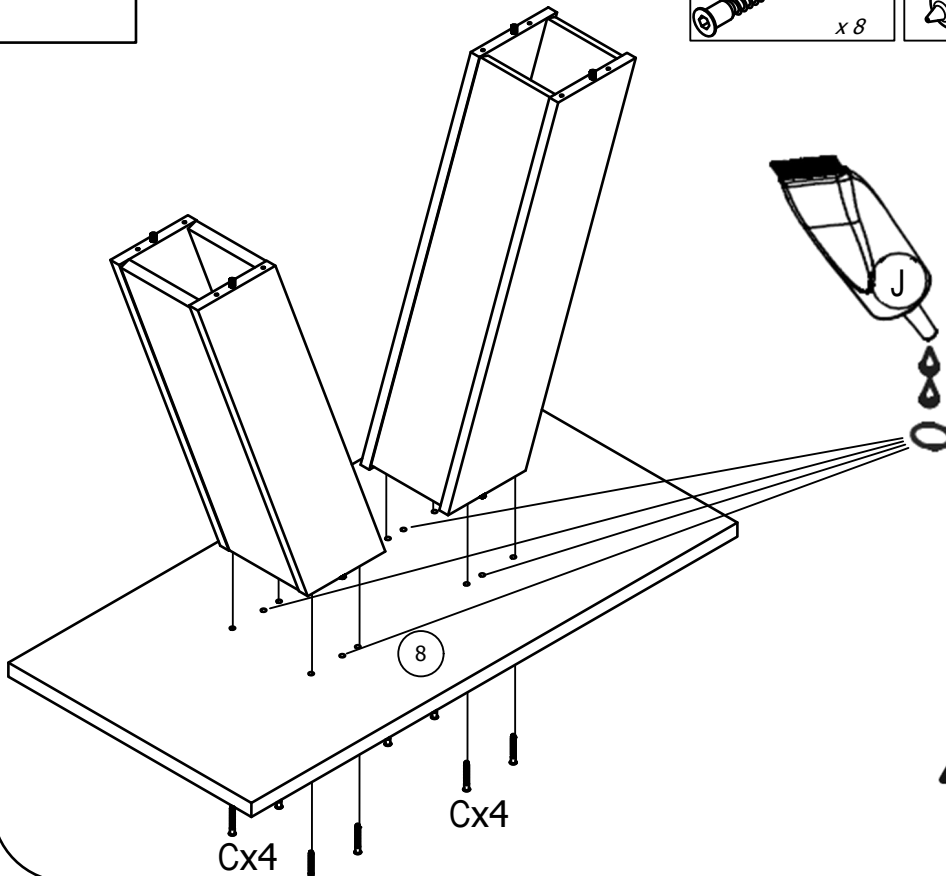
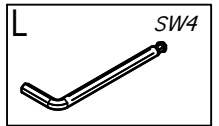
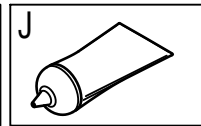
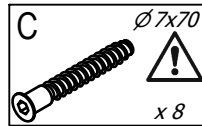


x2

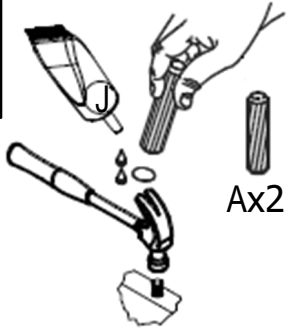
III.



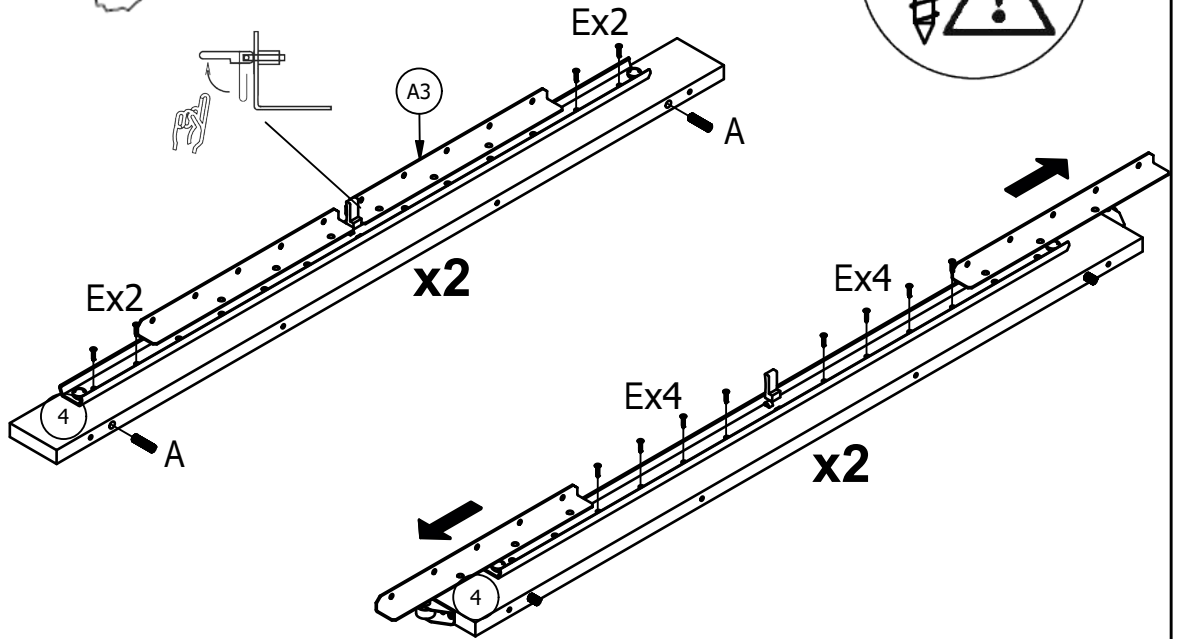
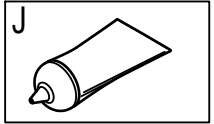
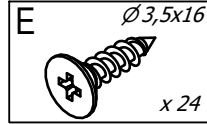
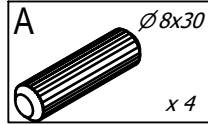
IV.



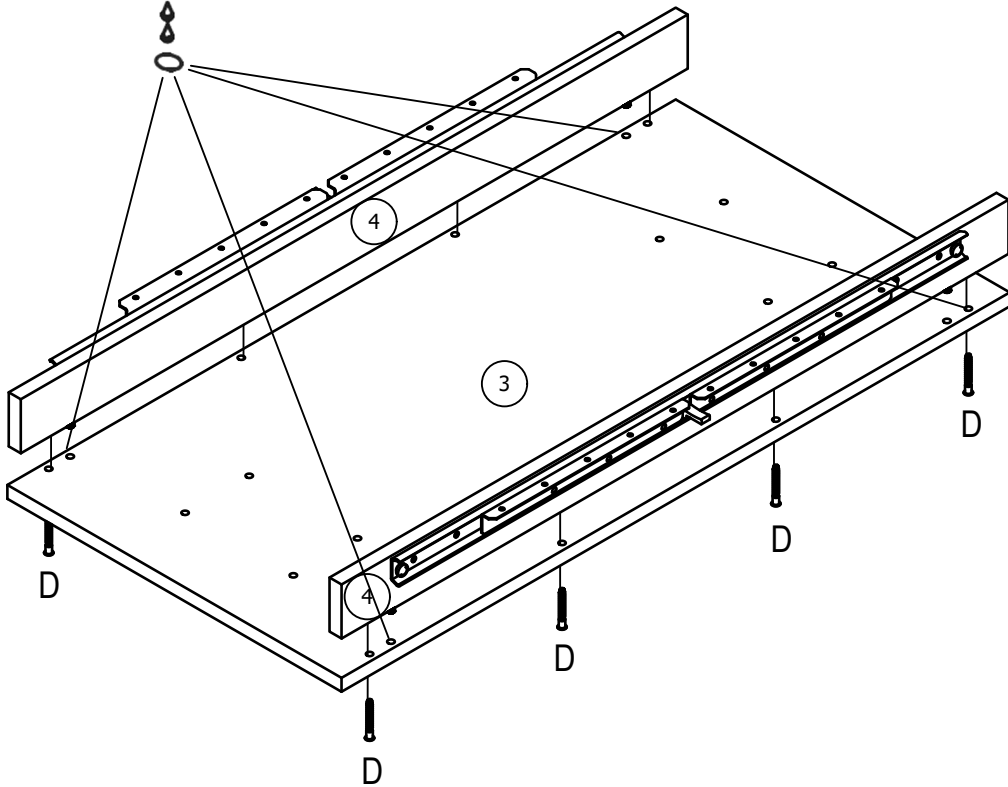
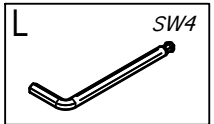
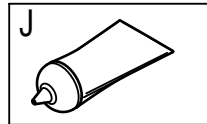
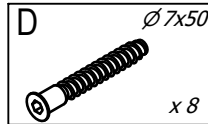
V.



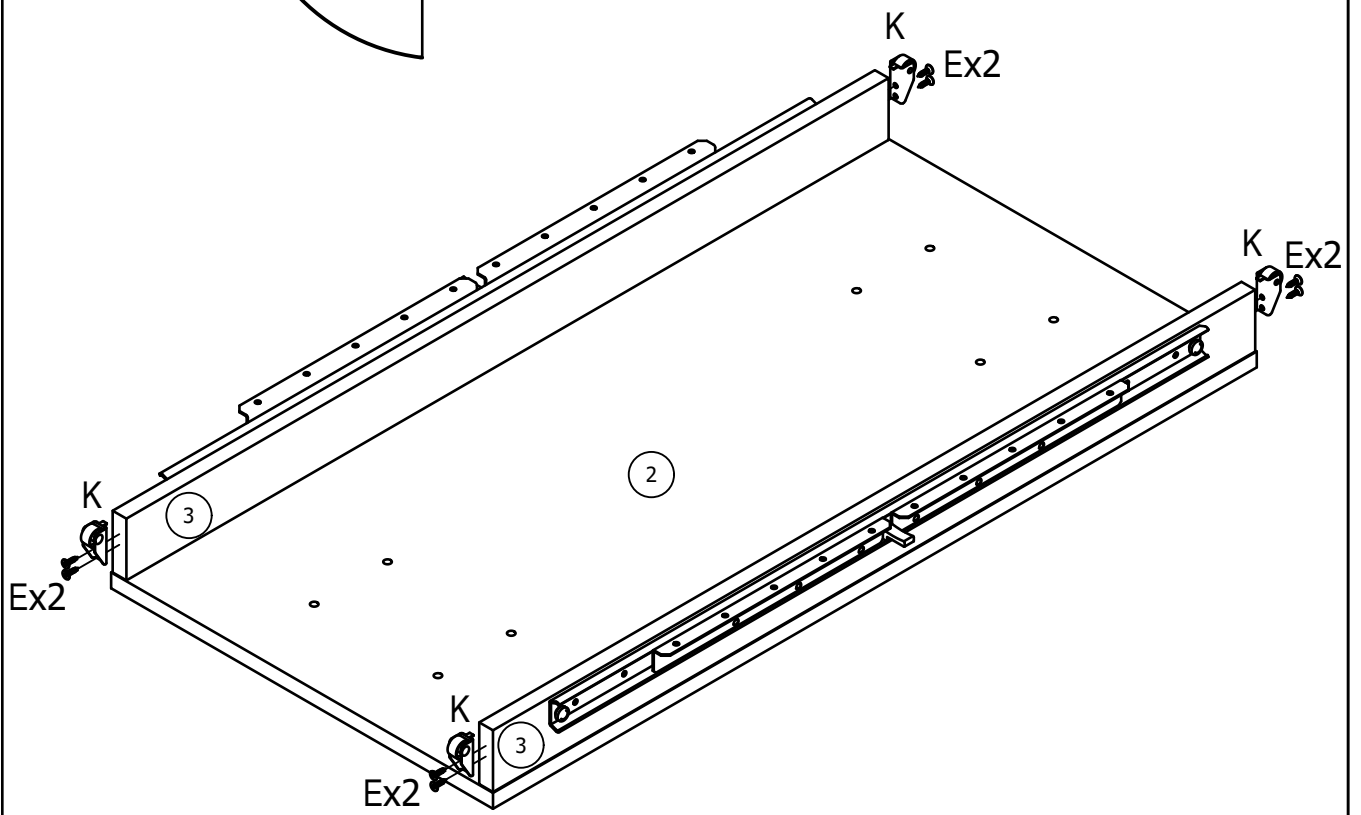
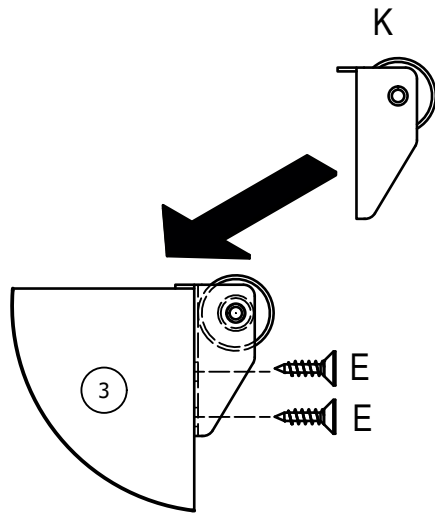
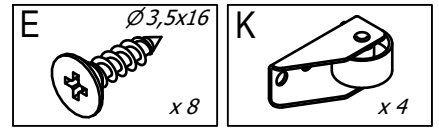
Ax2



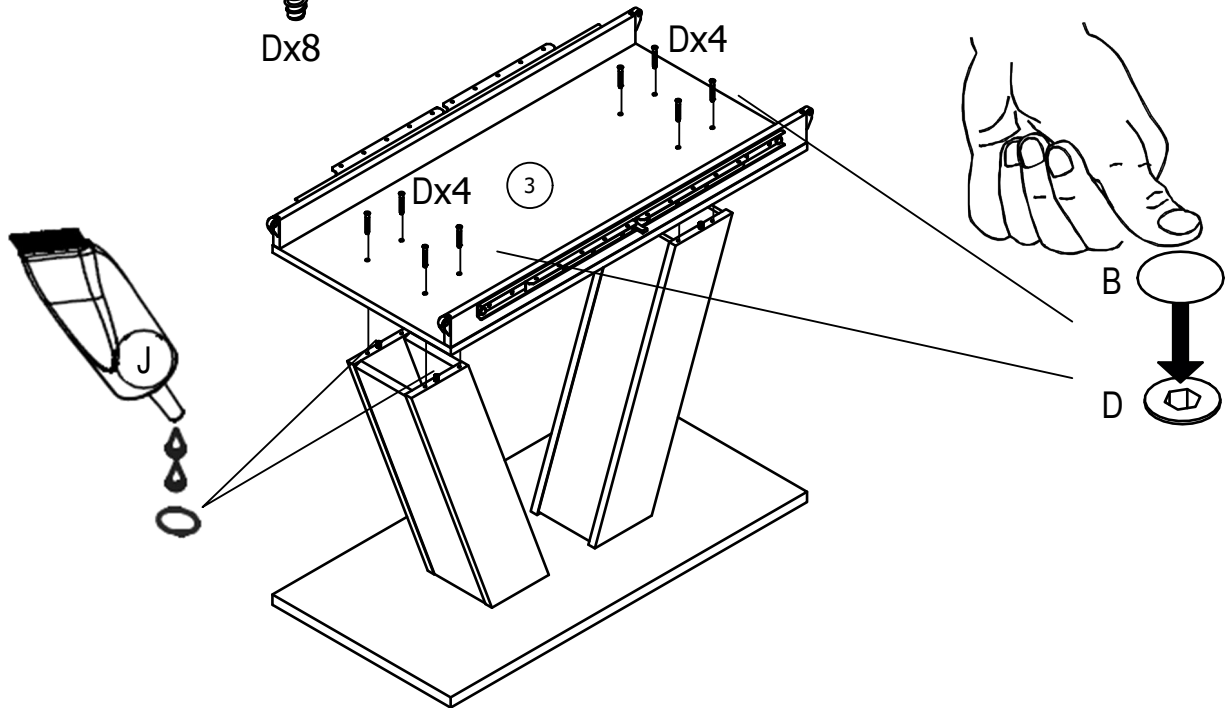
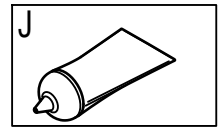
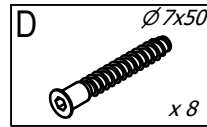
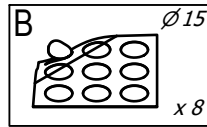
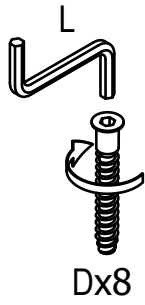
VI.



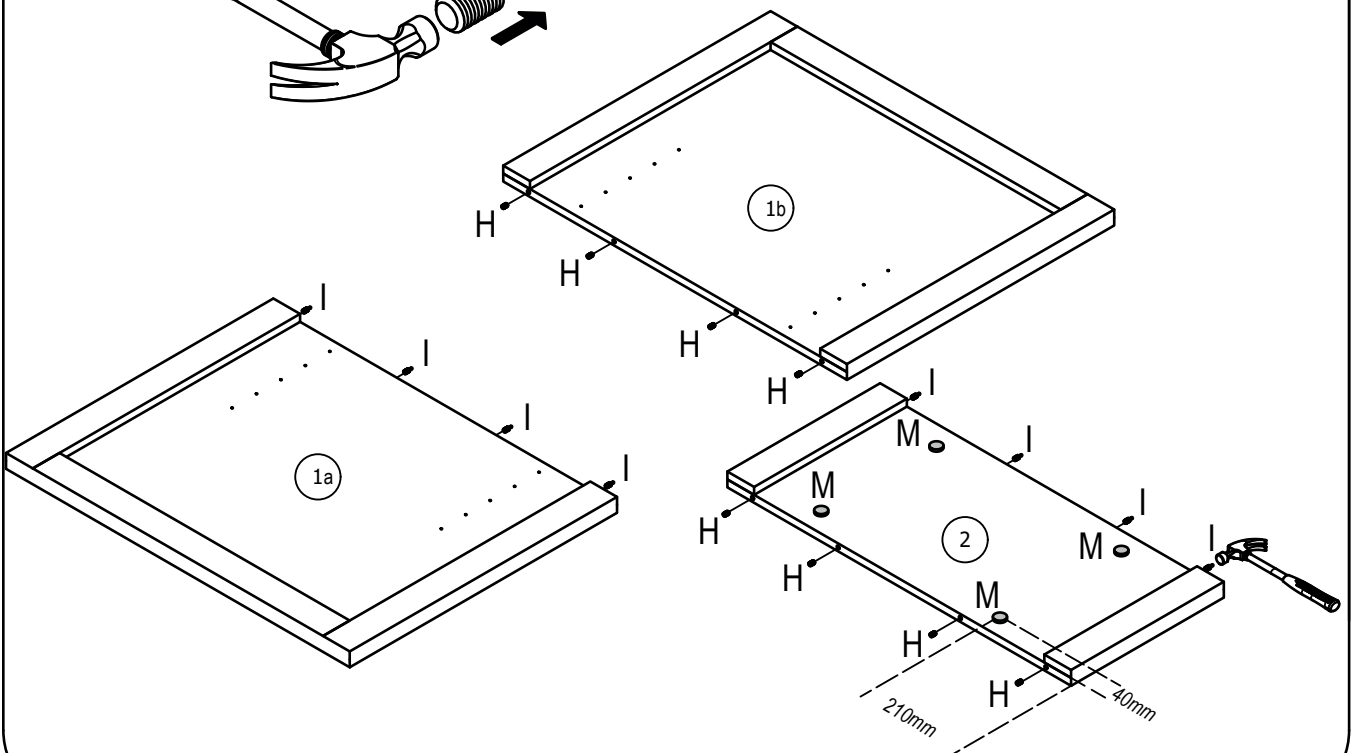
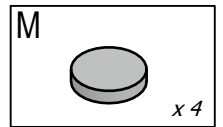
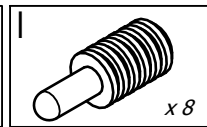
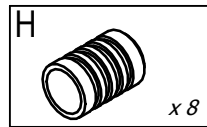
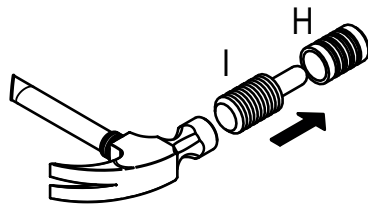
VII.



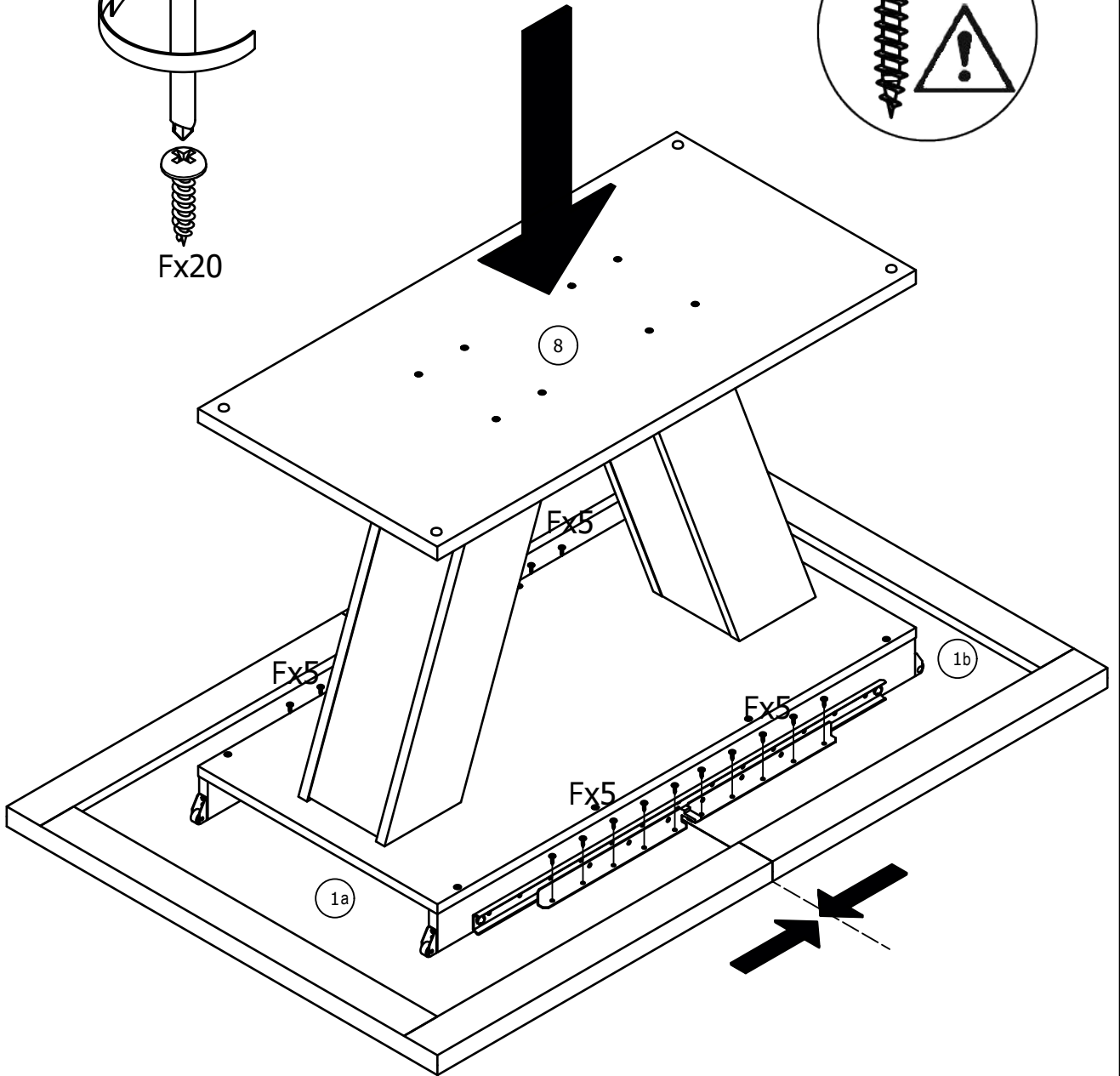
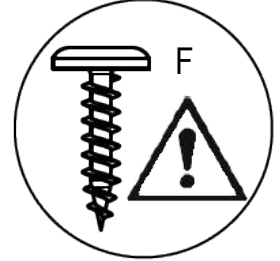
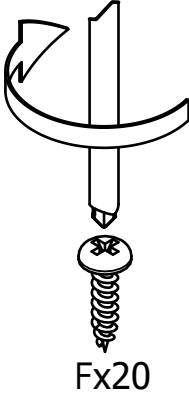
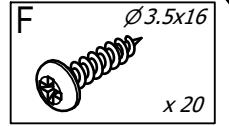
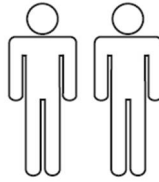
VIII.



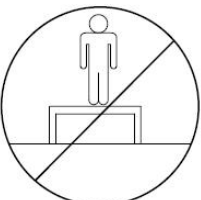
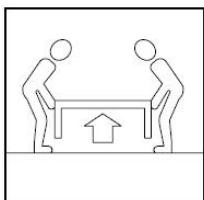
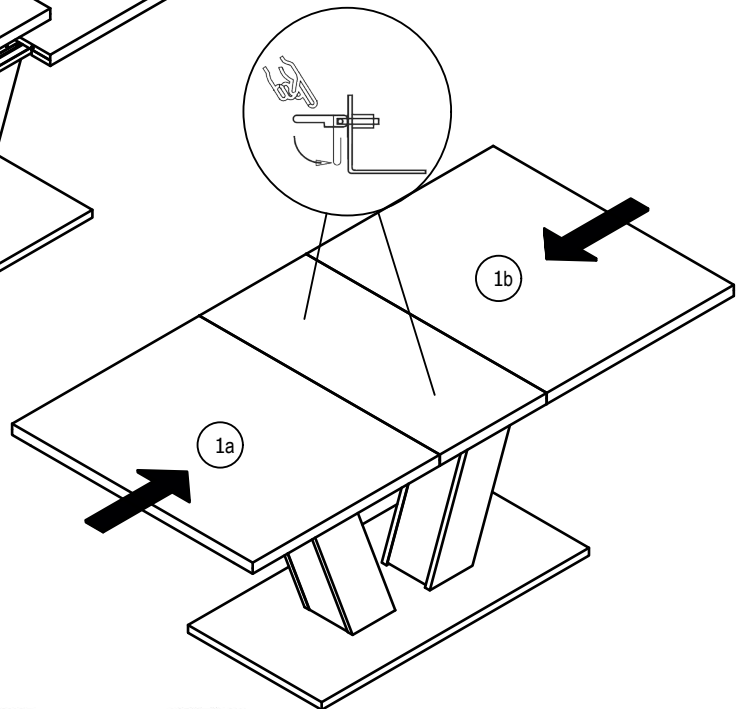
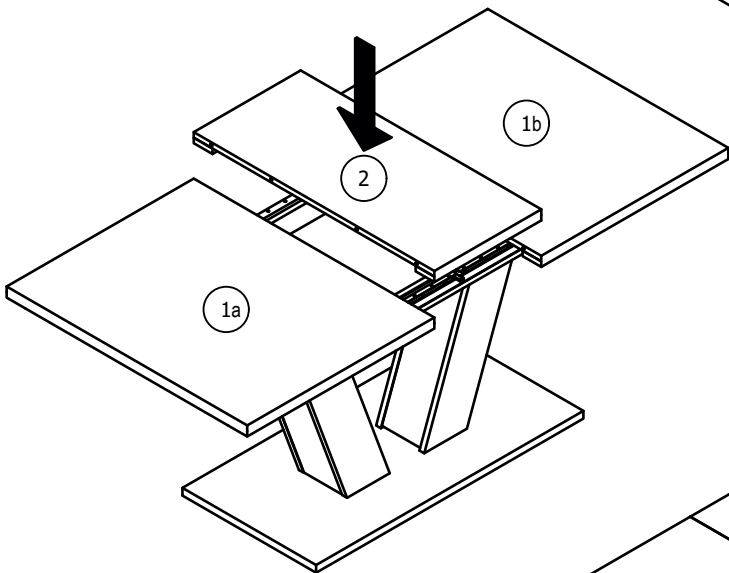
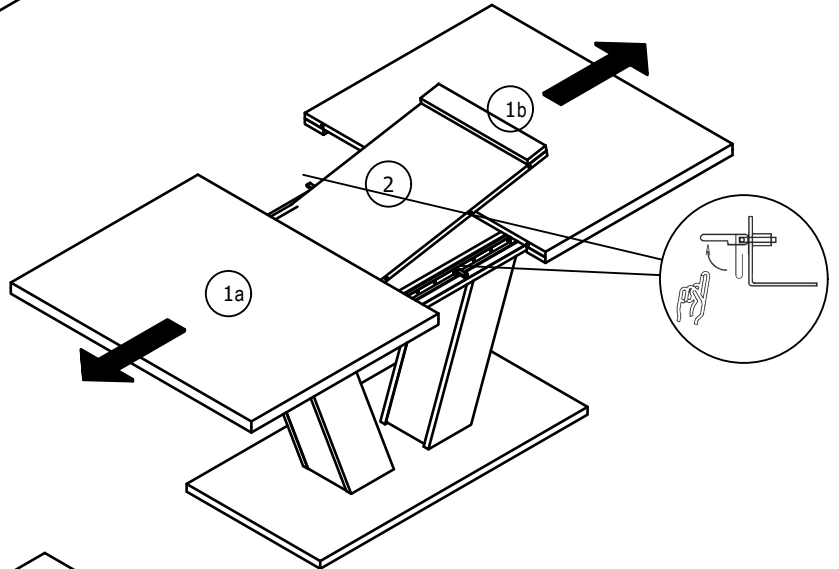
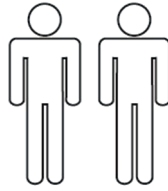
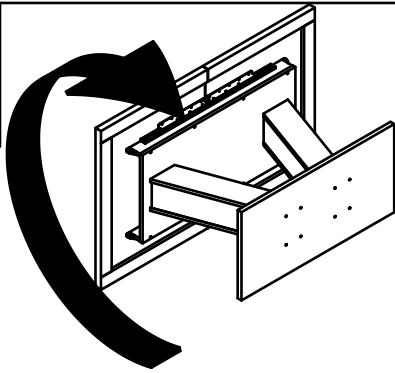
IX.



X.



XI.



**LE TRI + FACILE**



*Séparez les éléments avant de trier*