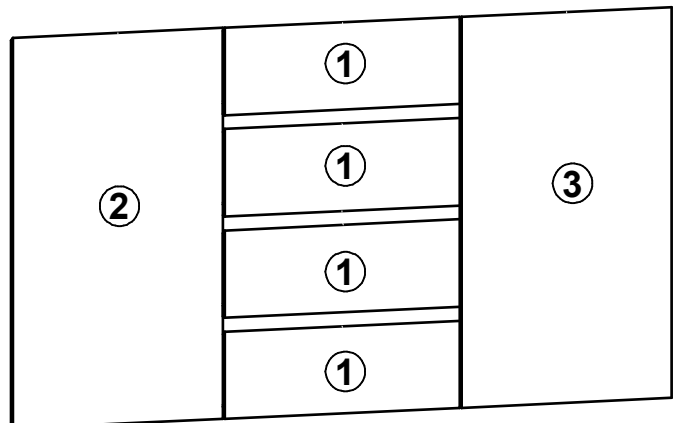
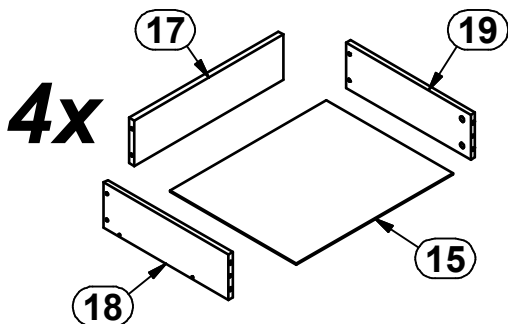
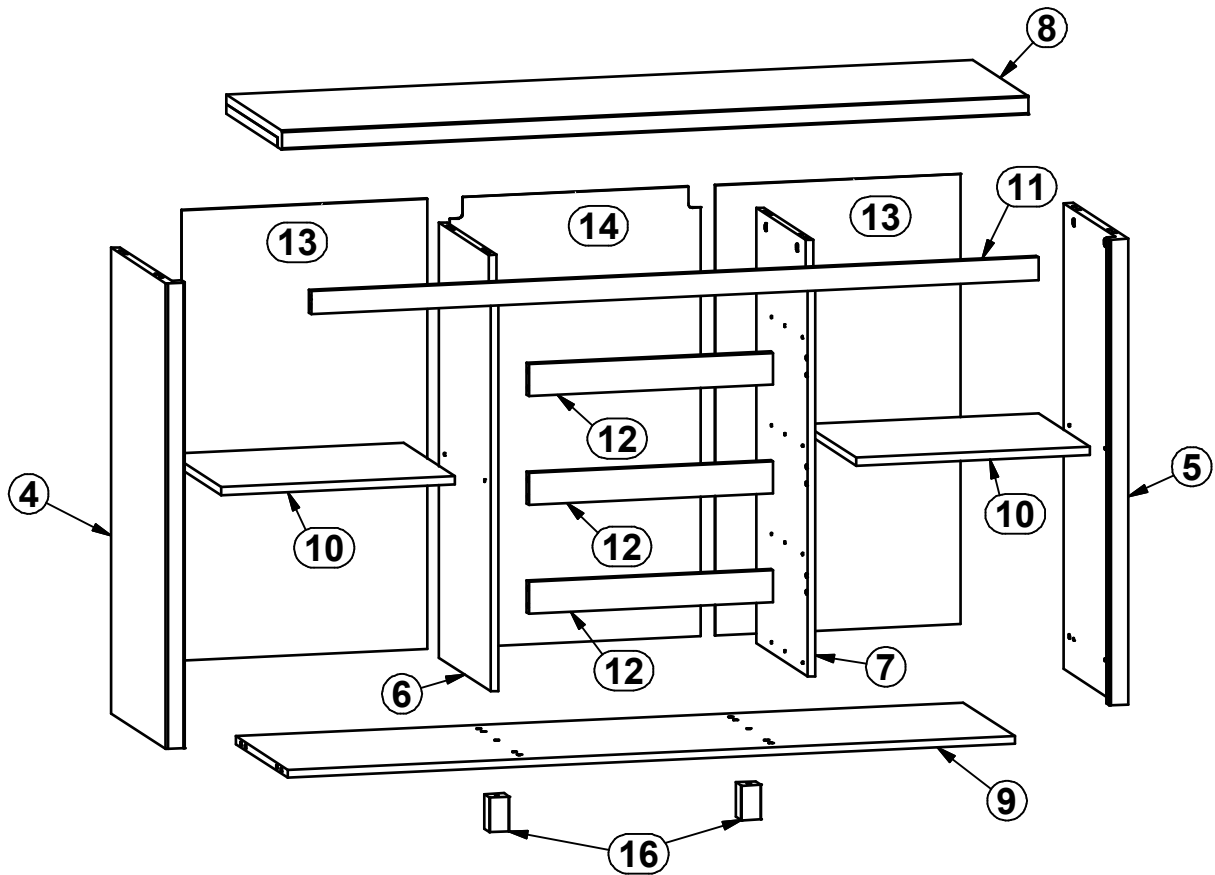
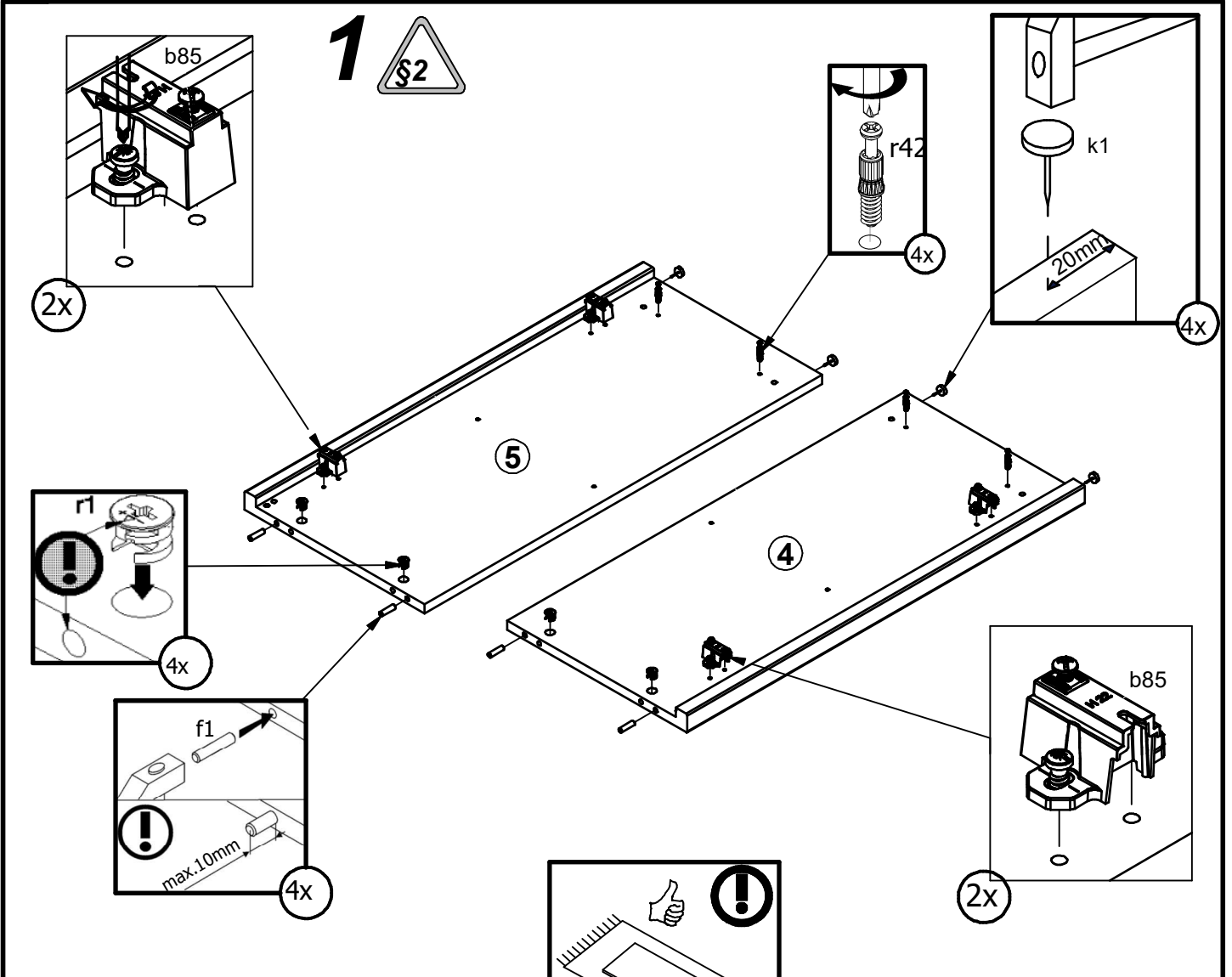
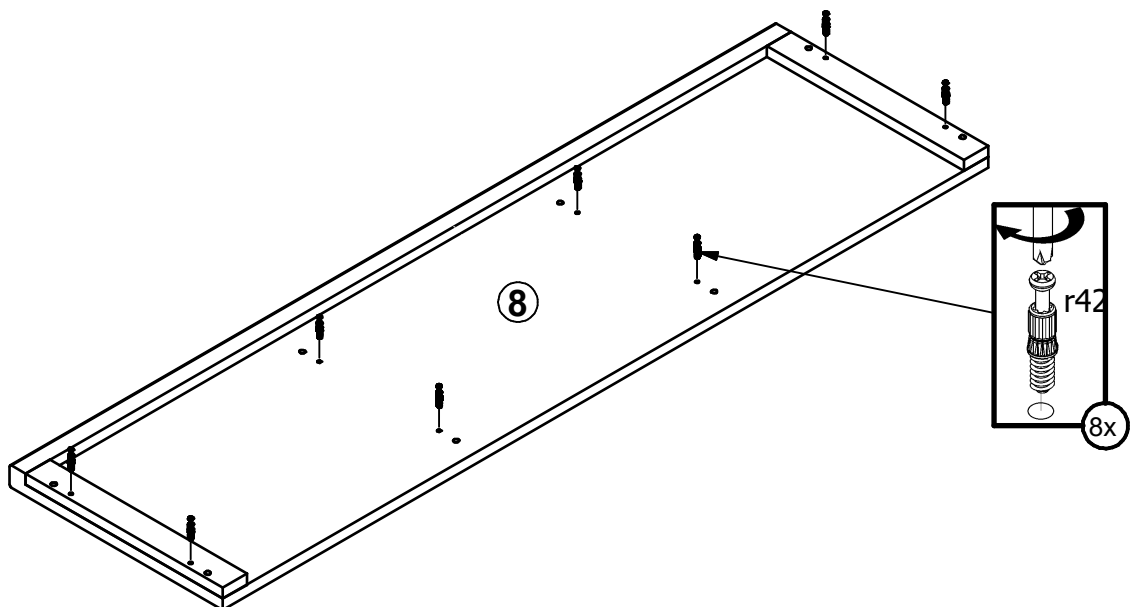


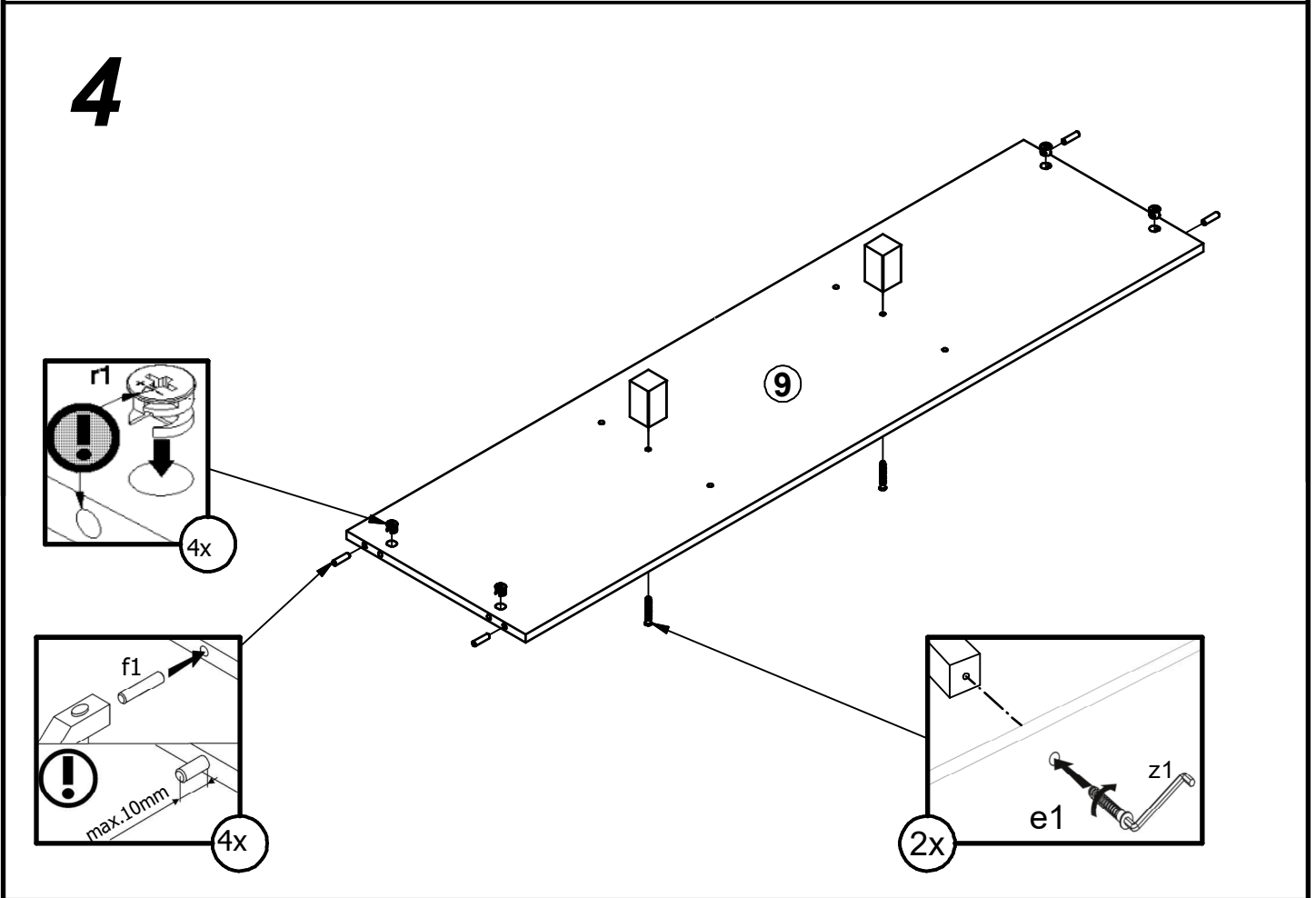
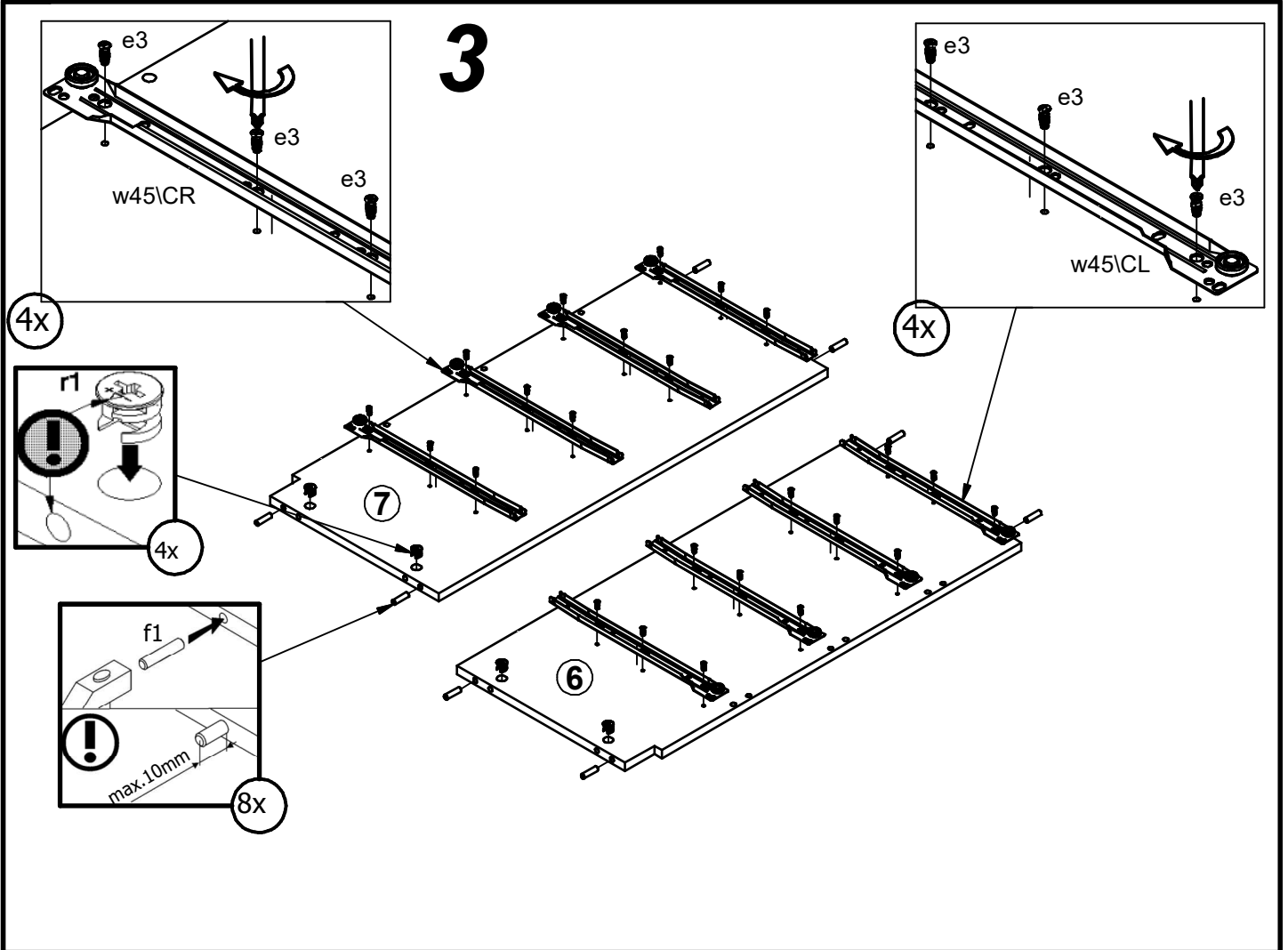
| A | B1 | B2 | C1 | C2 | C3 | D |
|----|-----------|----|-------|-----|-----|-----|
| 1 | S566-0004 | -4 | 482 | 176 | 15 | 3/3 |
| 2 | S566-0005 | -3 | 788 | 432 | 15 | 3/3 |
| 3 | S566-0006 | -3 | 788 | 432 | 15 | 3/3 |
| 4 | S566-1006 | -4 | 876 | 396 | 36 | 1/3 |
| 5 | S566-1007 | -4 | 876 | 396 | 36 | 1/3 |
| 6 | S566-1008 | -3 | 818,5 | 369 | 15 | 1/3 |
| 7 | S566-1009 | -3 | 818,5 | 369 | 15 | 1/3 |
| 8 | S566-2003 | -6 | 1432 | 399 | 36 | 2/3 |
| 9 | S566-3001 | -3 | 1395 | 370 | 15 | 2/3 |
| 10 | S566-3002 | -3 | 448 | 368 | 15 | 2/3 |
| 11 | S566-4006 | -3 | 1395 | 44 | 15 | 2/3 |
| 12 | S566-4007 | -3 | 468 | 60 | 15 | 2/3 |
| 13 | S566-9001 | -3 | 847 | 471 | 2,5 | 1/3 |
| 14 | S566-9002 | -3 | 847 | 481 | 2,5 | 1/3 |
| 15 | WSP-9287 | - | 439 | 355 | 2,5 | 2/3 |
| 16 | ZN1-501 | - | 65 | 38 | 38 | 1/3 |
| 17 | ZS7-5029 | - | 419 | 110 | 15 | 2/3 |
| 18 | ZS7-521 | - | 350 | 110 | 12 | 1/3 |
| 19 | ZS7-522 | - | 350 | 110 | 12 | 1/3 |



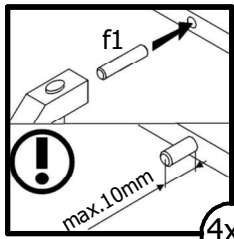


2

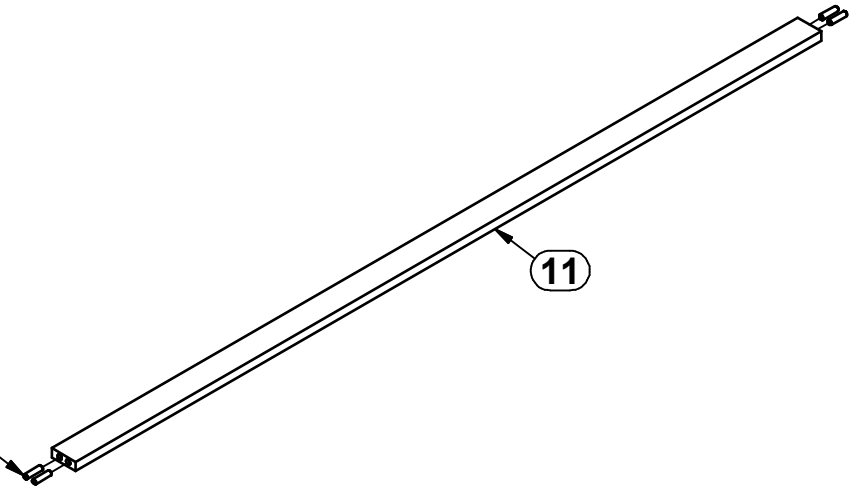




5

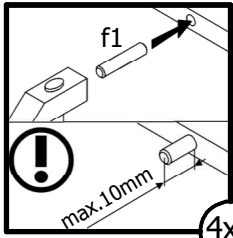


4x



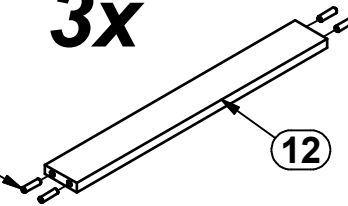
11

6

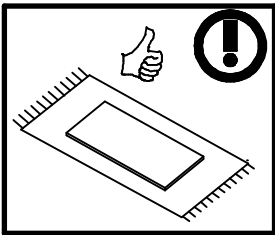


4x

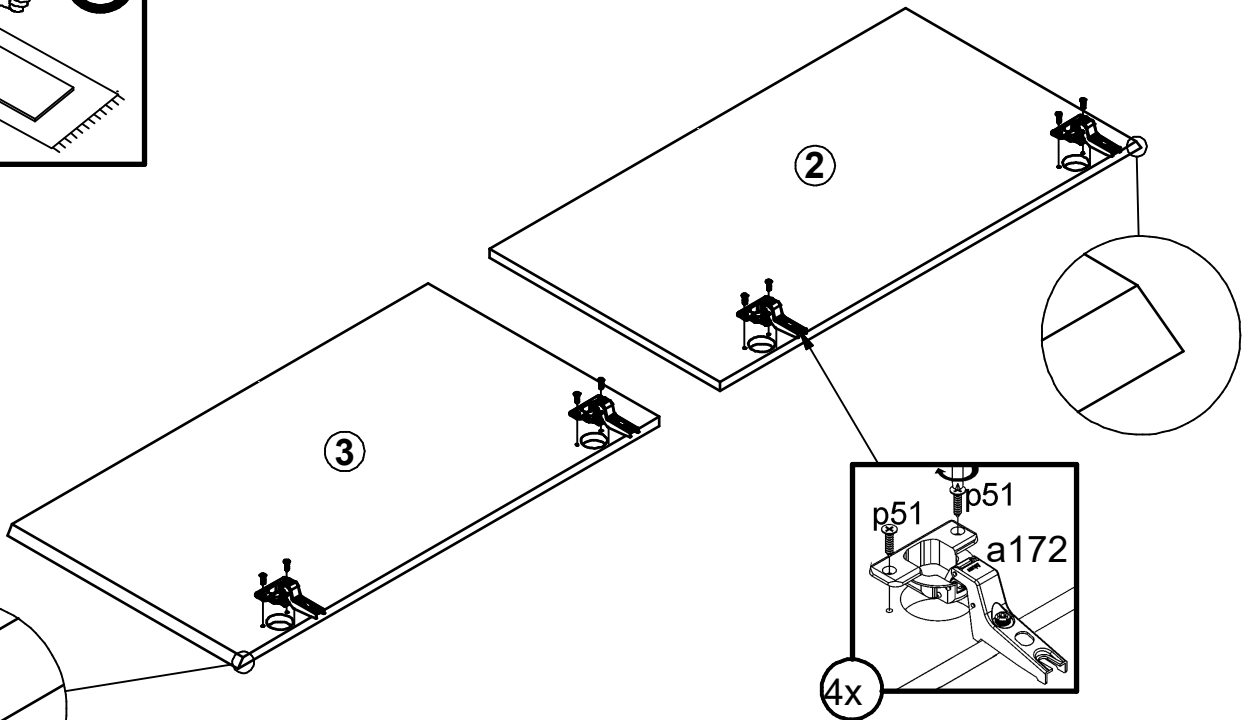
3x

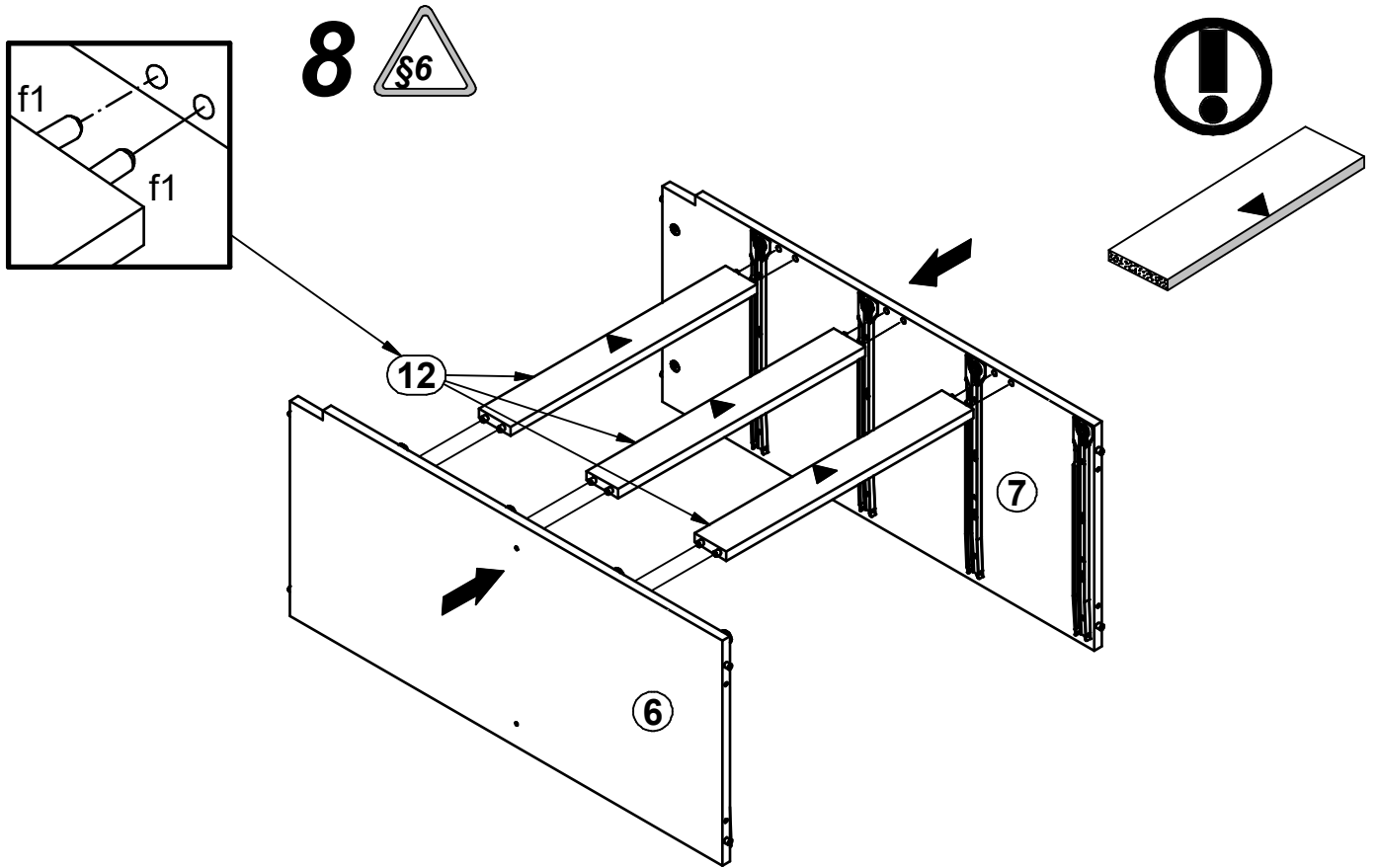


12

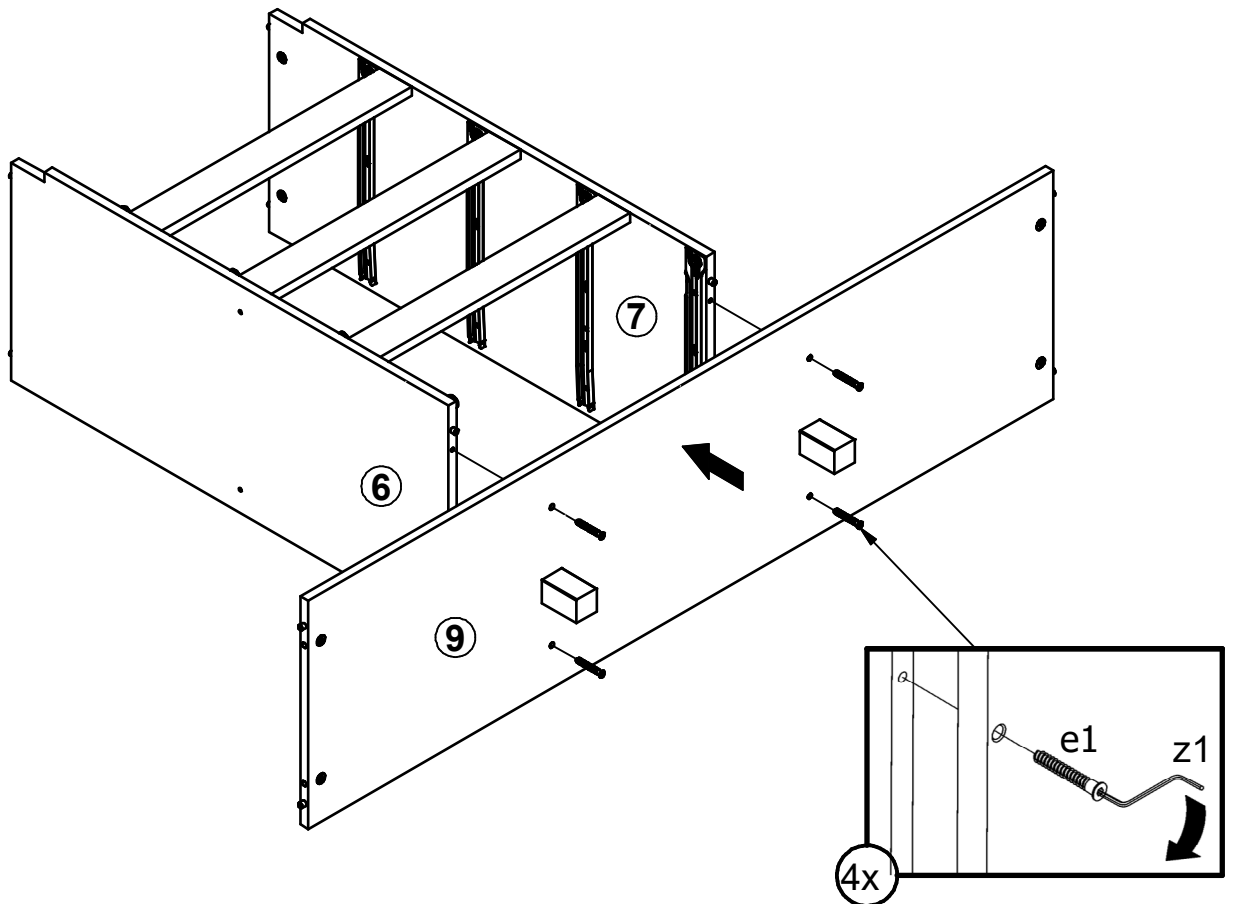


7

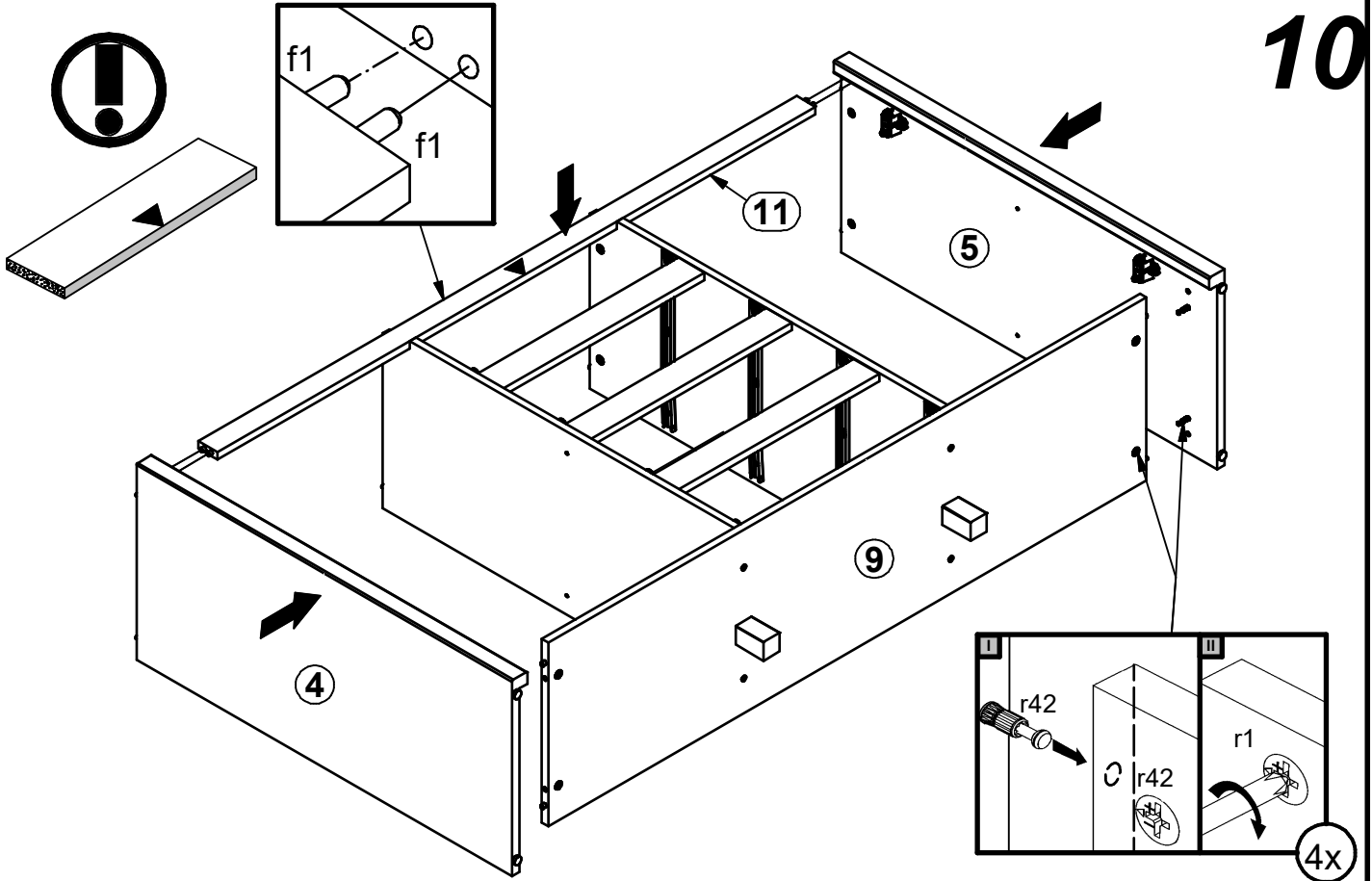




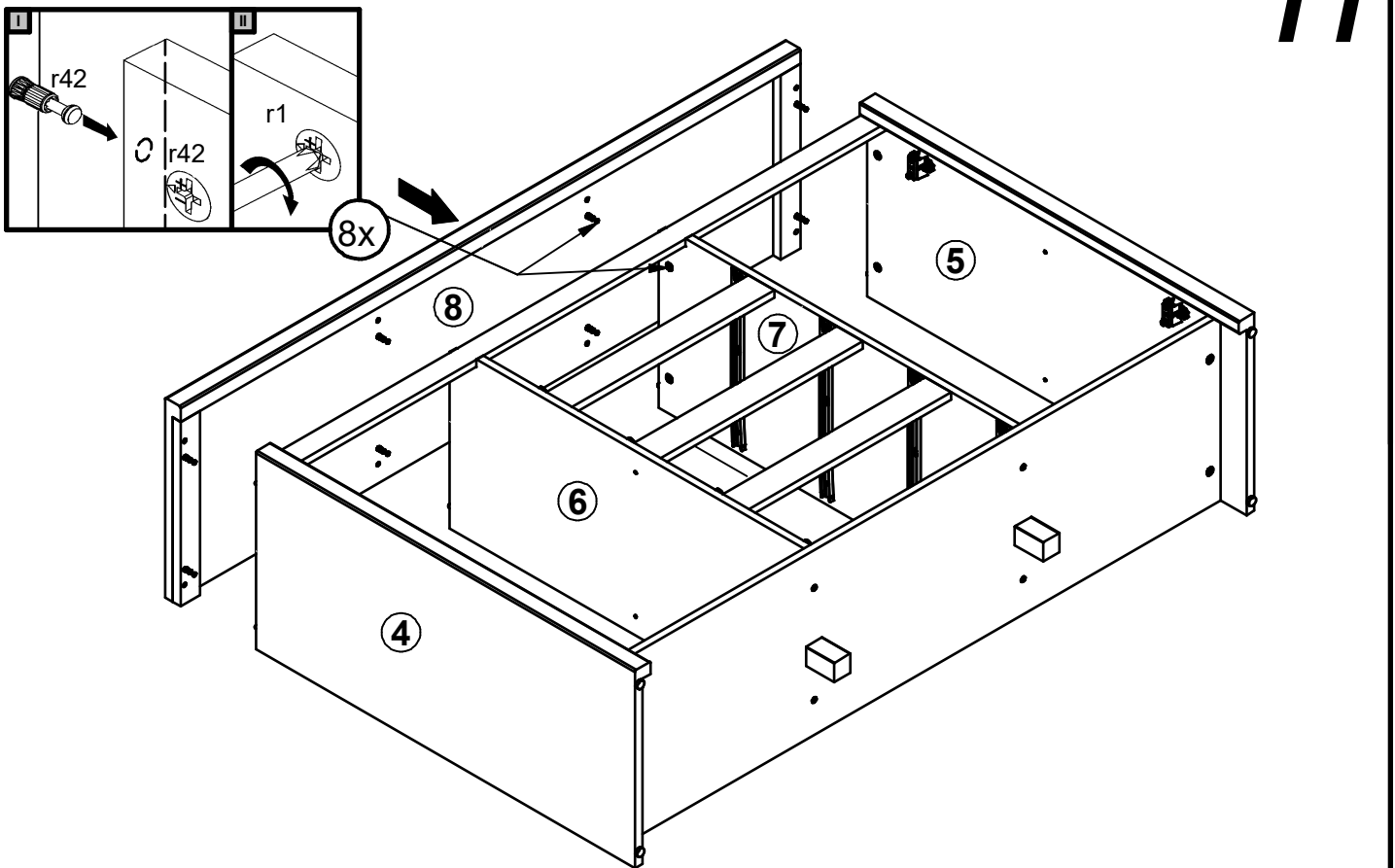
9



10



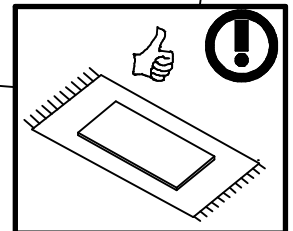
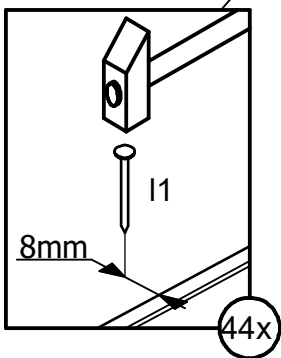
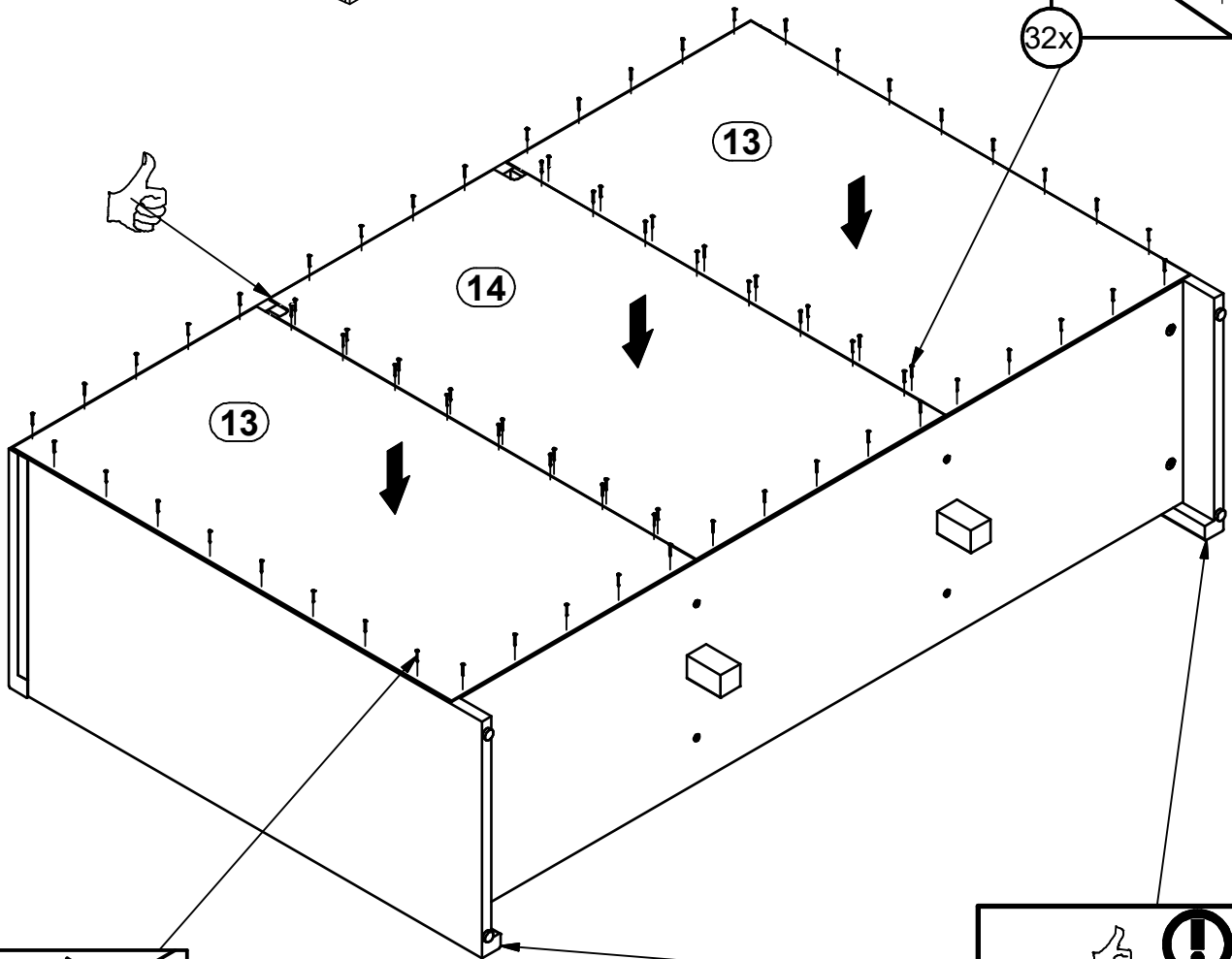
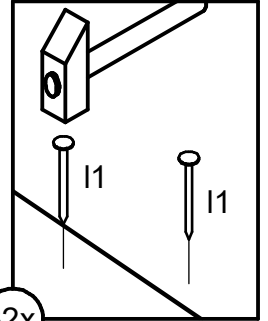
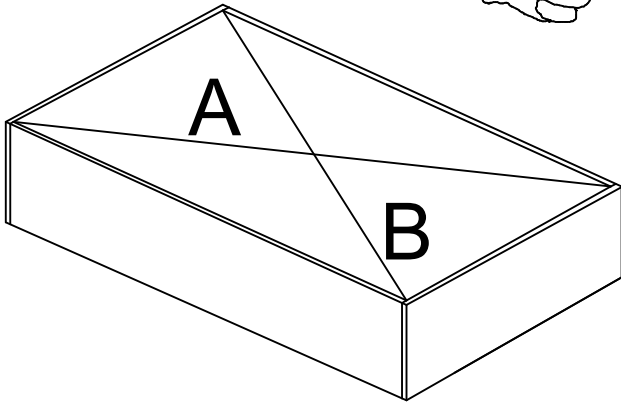
11



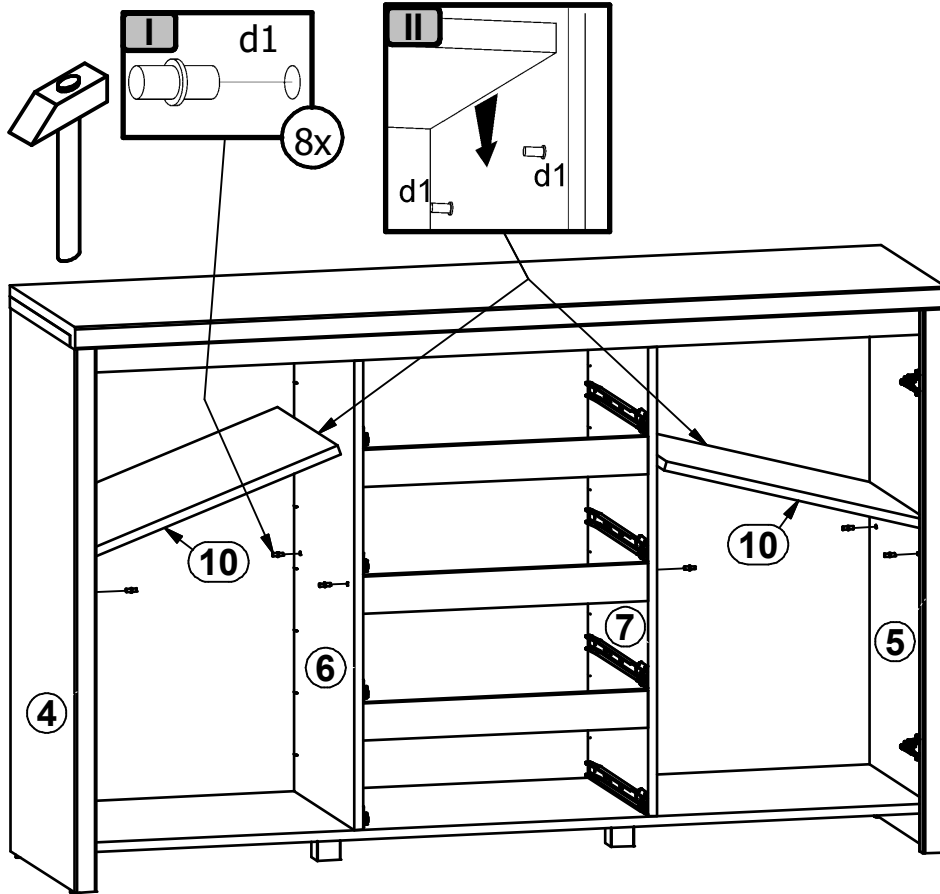
⚠ A=B



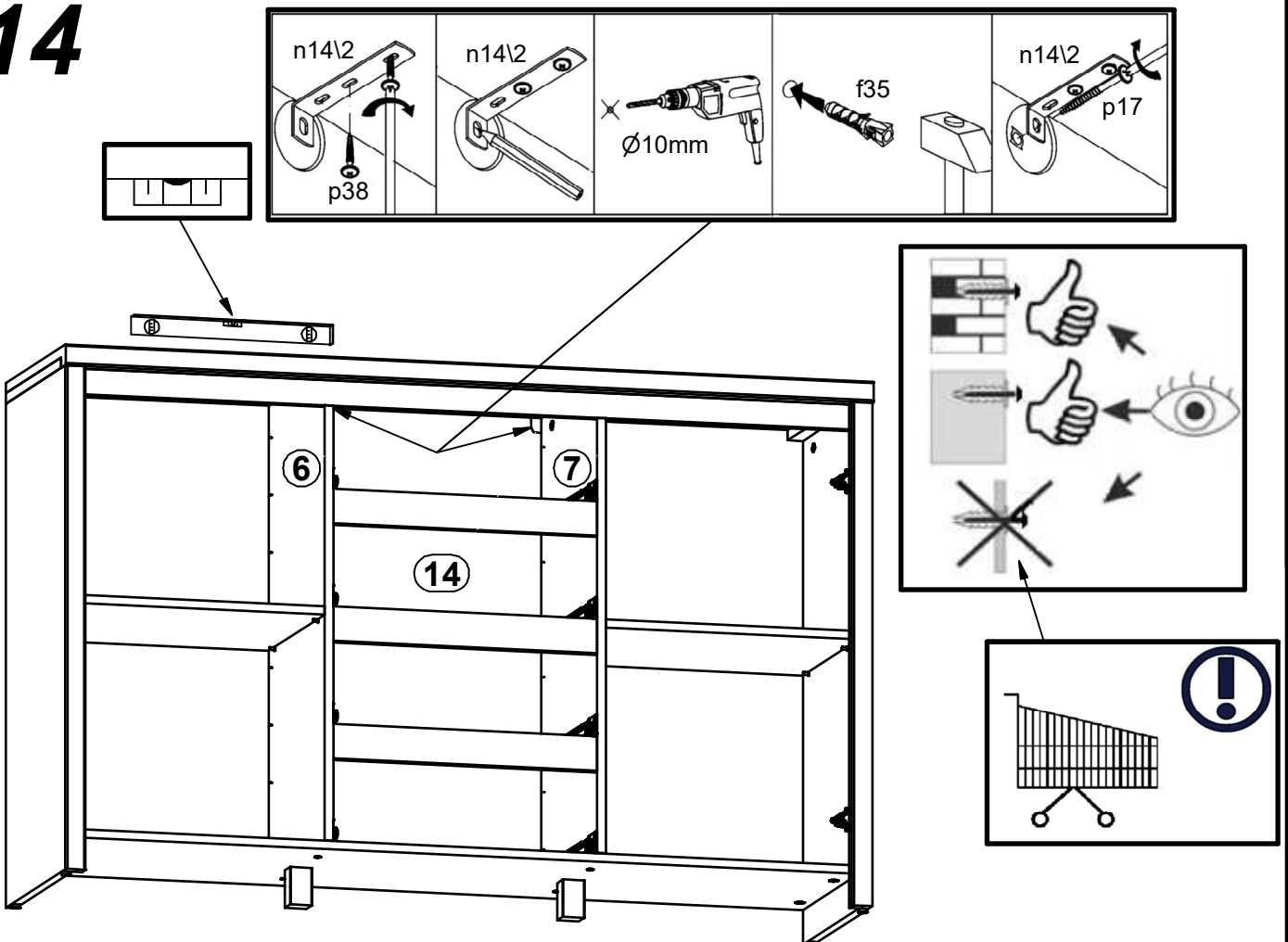
12



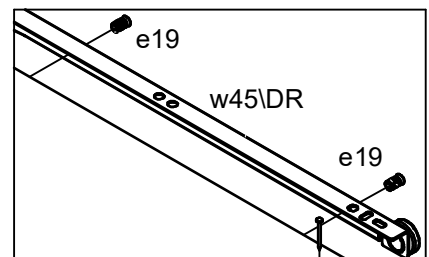
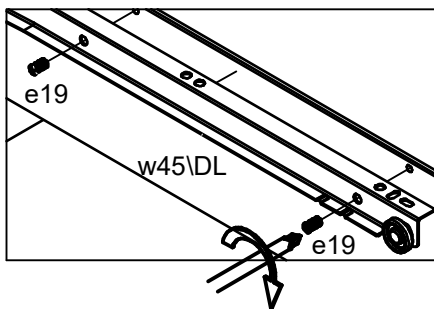
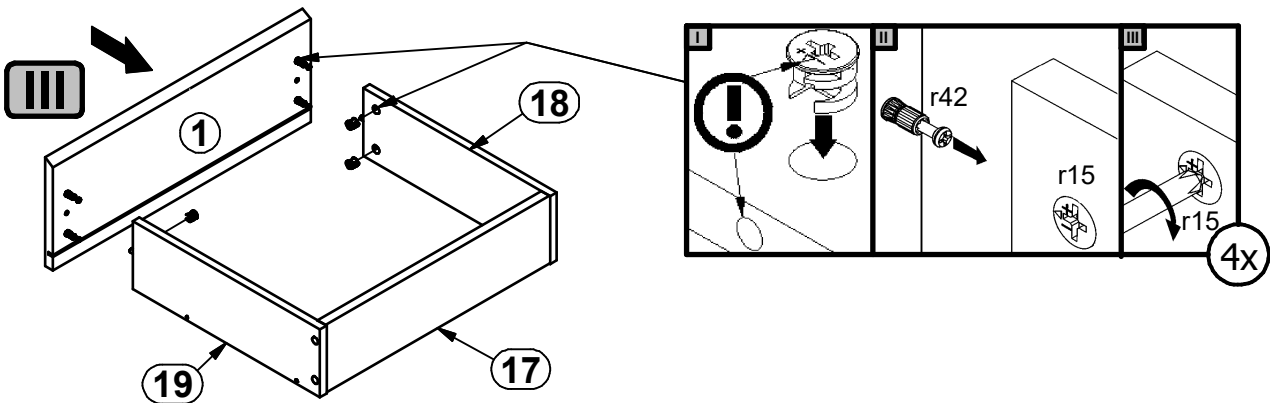
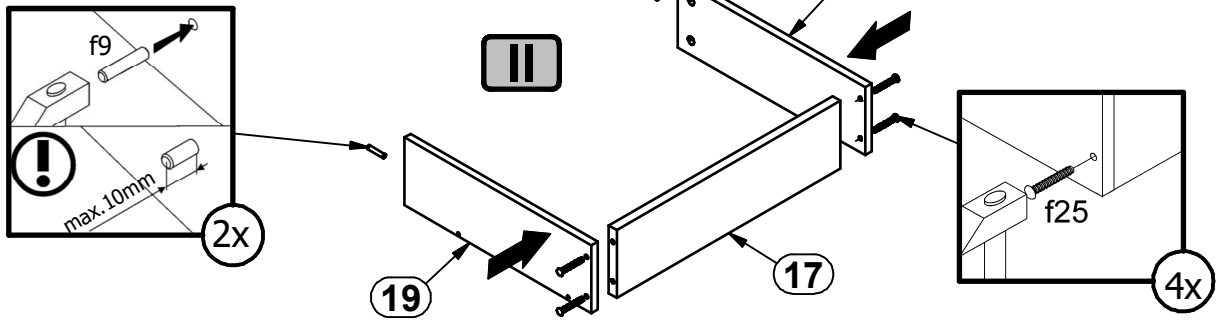
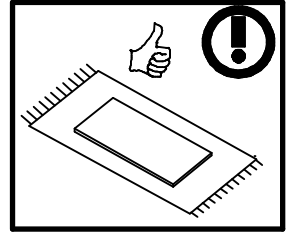
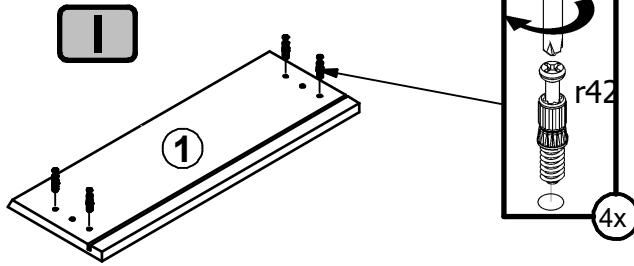
13



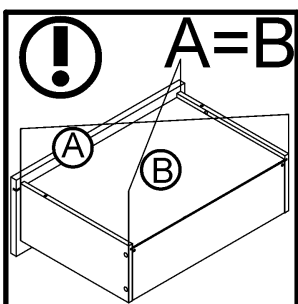
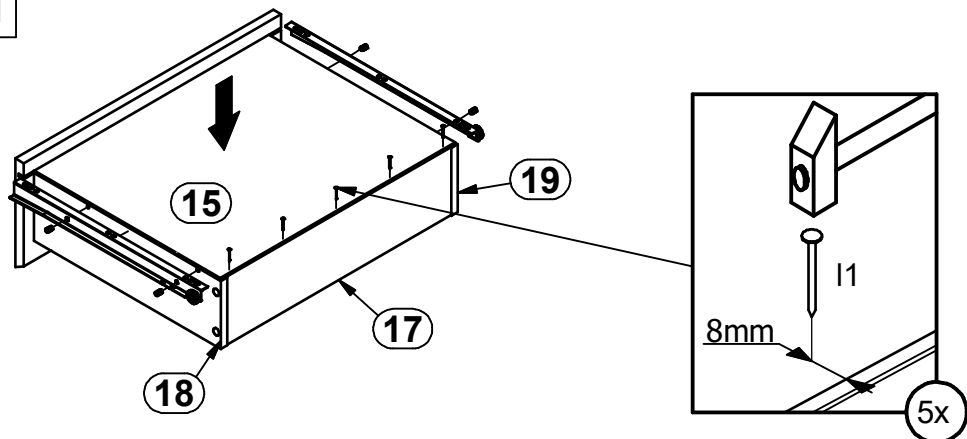
14



15
4x



IV



16

