

Hisense

life reimagined

USER'S OPERATION MANUAL

Before operating this unit, please read this manual thoroughly, and retain for future reference

EN

English

Contents

| | |
|-------------------------------------|----|
| Safety and warning information..... | 3 |
| Installing your new appliance..... | 12 |
| Description of the appliance | 15 |
| Control Panel..... | 17 |
| Using your appliance..... | 21 |
| Helpful hints and tips..... | 25 |
| Cleaning and Care..... | 26 |
| Troubleshooting..... | 28 |
| Disposal of the appliance | 29 |

Safety and warning information

Your safety and the safety of others are very important.

We have provided many important safety messages in this manual and on your appliance. Always read and obey all safety messages.



This is the safety alert symbol.

This symbol alerts you to potential hazards that can kill or hurt you and others. All safety messages will follow the safety alert symbol and either the word "DANGER," "WARNING" or "CAUTION."

These words mean:

DANGER

An imminently hazardous situation. You could be killed or seriously injured if you don't immediately follow

WARNING

A potentially hazardous situation which, if not avoided, could result in death or serious bodily injury.

CAUTION

A potentially hazardous situation which, if not avoided, may result in moderate or minor injury.

All safety messages will tell you what the potential hazard is, tell you how to reduce the chance of injury, and tell you what can happen if the instructions are not followed.



Safety and warning information

For your safety and correct usage, before installing and first using the appliance, read this user manual carefully, including its hints and warnings. To avoid unnecessary mistakes and accidents, it is important to make sure that all people using the appliance are thoroughly familiar with its operation and safety features. Save these instructions and be sure that they remain with the appliance if it is moved or sold, so that anyone using it throughout its life, will be properly informed on its usage and safety notices.

For the safety of life and property, keep the precautions of these user's instructions as the manufacturer is not responsible for damages caused by omission.

Safety for children and others who are vulnerable people

➤ According to EN standard

This appliance can be used by children aged from 8 years and above and persons with reduced physical, sensory or mental capabilities or lack of experience and knowledge if they have been given supervision or instruction concerning use of the appliance in a safe way and understand the hazards involved. Children shall not play with the appliance. Cleaning and user maintenance shall not be made by children without supervision. Children aged from 3 to 8 years are allowed to load and unload refrigerating appliances.

➤ According to IEC standard

This appliance is not intended for use by persons (including children) with reduced physical sensory or mental capabilities, or lack of experience and knowledge, unless they have been given supervision or instruction concerning use of the appliance by a person responsible for their safety.

- Children should be supervised to ensure that they do not play with the appliance.
- Keep all packaging away from children as there is risk of suffocation.
- If you are discarding the appliance, pull the plug out of the socket, cut the connection cable (as close to the appliance as you can) and remove the door to prevent children playing from suffering an electric shock or from closing themselves inside it.
- If this appliance, featuring a magnetic door seals, is to replace an older appliance having a spring lock (latch) on the door or lid, be sure to make the spring lock unusable before you discard the old appliance. This will prevent it from becoming a death trap for a child.



General safety

- **WARNING** — This appliance is intended to be used in household and similar applications such as
 - staff kitchen areas in shops, offices and other working environments;
 - farm houses and by clients in hotels, motels and other residential type environments;
 - bed and breakfast type environments;
 - catering and similar non-retail applications.
- **WARNING** — Do not store explosive substances such as aerosol cans with a flammable propellant in this appliance.
- **WARNING** — If the supply cord is damaged, it must be replaced by the manufacturer, its service agent or similarly qualified persons in order to avoid a hazard.
- **WARNING** — Keep ventilation openings, in the appliance enclosure or in the built-in structure, clear of obstruction.
- **WARNING** — Do not use mechanical devices or other means to accelerate the defrosting process, other than those recommended by the manufacturer.
- **WARNING** — Do not damage the refrigerant circuit.
- **WARNING** — Do not use electrical appliances inside the food storage compartments of the appliance, unless they are of the type recommended by the manufacturer.
- **WARNING** — The refrigerant and insulation blowing gas are flammable. When disposing of the appliance, do so only at an authorized waste disposal centre. Do not expose to flame.
- **WARNING** — When positioning the appliance, ensure the supply cord is not trapped or damaged.

- **WARNING** —Do not locate multiple portable socket-outlets or portable power supplies at the rear of the appliance.
- **WARNING** —Food needs to be packed in bags before putting into the refrigerator, and liquids need to be packed in bottles or containers to avoid the problem that the product design structure is not easy to clean.



The symbol is a warning and indicates the refrigerant and insulation blowing gas are flammable.

Warning: Risk of fire / flammable materials

Replacing the illuminating lamps

- **WARNING**—The illuminating lamps must not be replaced by the user! If the illuminating lamps is damaged, contact the customer helpline for assistance. This warning is only for refrigerators that contain illuminating lamps.

Refrigerant

The refrigerant isobutene (R600a) is contained within the refrigerant circuit of the appliance, a natural gas with a high level of environmental compatibility, which is nevertheless flammable. During transportation and installation of the appliance, ensure that none of the components of the refrigerant circuit becomes damaged.

The refrigerant (R600a) is flammable.

- **WARNING** — Refrigerators contain refrigerant and gases in the insulation. Refrigerant and gases must be disposed of professionally as they may cause eye injuries or ignition. Ensure that tubing of the refrigerant circuit is not damage prior to proper disposal.



WARNING: risk of fire

If the refrigerant circuit should be damaged:

- Avoid opening flames and sources of ignition.
- Thoroughly ventilate the room in which the appliance is situated.

It is dangerous to alter the specifications or modify this product in any way.

Any damage to the cord may cause a short circuit, fire, and/or electric shock.



Electrical safety

- The power cord must not be lengthened.
- Make sure that the power plug is not crushed or damaged. A crushed or damaged power plug may overheat and cause a fire.
- Make sure that you can access the main plug of the appliance.
- Do not pull the main cable.
- If the power plug socket is loose, do not insert the power plug. There is a risk of electric shock or fire.
- You must not operate the appliance without the interior lighting lamp cover.
- The fridge is only applied with power supply of single phase alternating current of 220~240V/50Hz. If fluctuation of voltage in the district of user is so large that the voltage exceeds the above scope, for safety sake, be sure to apply A.C. Automatic voltage regulator of more than 350W to the fridge. The fridge must employ a special power socket instead of common one with other electric appliances. Its plug must match the socket with ground wire.

Daily use

- Do not store flammable gas or liquids in the appliance, There is a risk of an explosion.
- Do not operate any electrical appliances in the appliance (e.g. electric ice cream makers, mixers etc.).
- When unplugging always pull the plug from the mains socket, do not pull on the cable.
- Do not place hot items near the plastic components of this appliance.
- Do not place food products directly against the air outlet on the rear wall.
- Store pre-packed frozen food in accordance with the frozen food manufacture's instructions.
- The appliances manufactures storage recommendations should be strictly adhered to. Refer to relevant instructions for storage.
- Do not place carbonated or fizzy drinks in the freeze compartment as it creates pressure on the container, which may cause it to explode, resulting in damage to the appliance.
- Frozen food can cause frost burns if consumed straight from the freezer compartment.
- Do not place the appliance in direct sunlight.
- Keep burning candles, lamps and other items with naked flames away from the appliance so that do not set the appliance on fire.
- The appliance is intended for keeping food stuff and/ or beverages in normal household as explained in this instruction booklet The appliance is heavy. Care should be taken when moving it.

- Do not remove nor touch items from the freezer compartment if your hands are damp/wet, as this could cause skin abrasions or frost/freezer burns.
- Never use the base, drawers, doors etc. to stand on or as supports.
- Frozen food must not be refrozen once it has been thawed out.
- Do not consume ice popsicles or ice cubes straight from the freezer as this can cause freezer burn to the mouth and lips.
- To avoid items falling and causing injury or damage to the appliance, do not overload the door racks or put too much food in the crisper drawers.
- This refrigerating appliance is not intended to be used as a built-in appliance .



Caution! **Care and cleaning**

- Before maintenance, switch off the appliance and disconnect the mains plug from the mains socket.
- Do not clean the appliance with metal objects, steam cleaner, ethereal oils, organic solvents or abrasive cleansers.
- Do not use sharp objects to remove frost from the appliance. Use a plastic scraper.

Installation Important!

- For electrical connection carefully, follow the instructions given in this manual.
- Unpack the appliance and check if there are damages on it. Do not connect the appliance if it is damaged. Report possible damages immediately to the place you bought it. In this case retain packing.

- It is advisable to wait at least four hours before connecting the appliance to allow the oil to flow back in the compressor.
- Adequate air circulation should be around the appliance, lacking this leads to overheating. To achieve sufficient ventilation, follow the instructions relevant to installation.
- Wherever possible the back of the product should not be too close to a wall to avoid touching or catching warm parts (compressor, condenser) to prevent the risk of a fire, follow the instructions relevant to installation.
- The appliance must not be located close to radiators or cookers.
- Make sure that the mains plug is accessible after the installation of the appliance

Service

- Any electrical work required to do the servicing of the appliance should be carried out by qualified electrician or competent person.
- This product must be serviced by an authorized Service Center, and only genuine spare parts must be used.
 1. If the appliance is Frost Free.
 2. If the appliance contains freezer compartment.

To avoid contamination of food, please respect the following instructions

- Opening the door for long periods can cause a significant increase of the temperature in the compartments of the appliance.
- Clean regularly surfaces that can come in contact with food and accessible drainage systems.
- Store raw meat and fish in suitable containers in the refrigerator, so that it is not in contact with or drip onto other food.
- Two-star frozen-food compartments are suitable for storing pre-frozen food, storing or making icecream and making ice cubes.
- One-, two- and three-star compartments are not suitable for the freezing of fresh food.

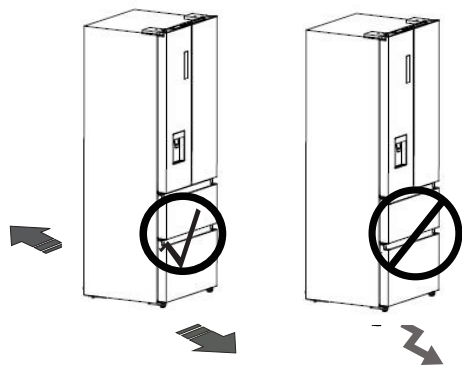
Installing your new appliance

Before using the appliance for the first time, you should be informed of the following tips.

Warning!

For proper installation, this refrigerator must be placed on a level surface of hard material that is the same height as the rest of the flooring. This surface should be strong enough to support a fully loaded refrigerator.

The rollers, which are not castors, should be only used for forward or backward movement. Moving the refrigerator sideways may damage your floor and the rollers.

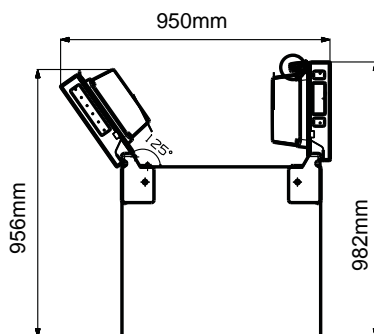
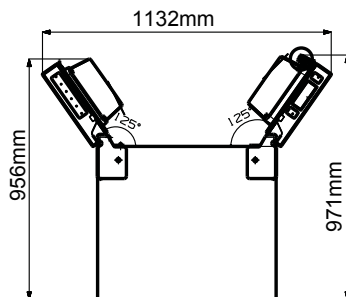
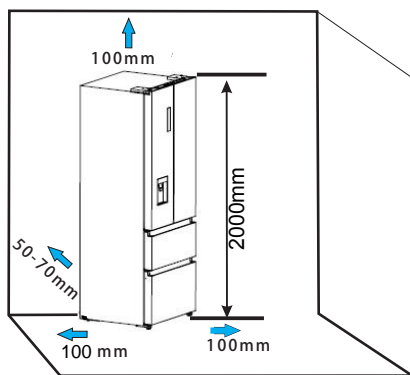


Ventilation of appliance

In order to improve efficiency of the cooling system and save energy, it is necessary to maintain good ventilation around the appliance for the dissipation of heat. For this reason, sufficient clear space should be available around the refrigerator.

Suggest:

It is advisable for there to be 50-70mm of space from the back to the wall, at least 100mm from its top, at least 100mm from its side to the wall and a clear space in front to allow the doors to open 130°. As shown in follow diagrams.



Note:

- This application perform well from SN to T
The Appliance may not work properly if it is left for a longer period at a temperature above or below the indicated range.

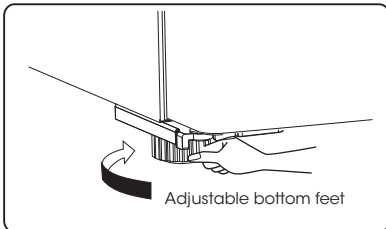
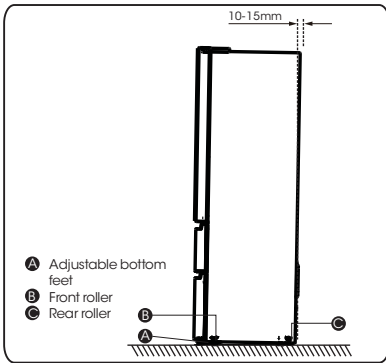
| Climate class | Ambient temperature |
|---------------|---------------------|
| SN | +10°C to +32°C |
| N | +16°C to +32°C |
| ST | +16°C to +38°C |
| T | +16°C to +43°C |

- Stand your appliance in a dry place to avoid high moisture.
- Keep the appliance out of direct sunlight rain or frost. Stand the appliance away from heat sources such as stoves, fires or heaters.

Leveling of appliance

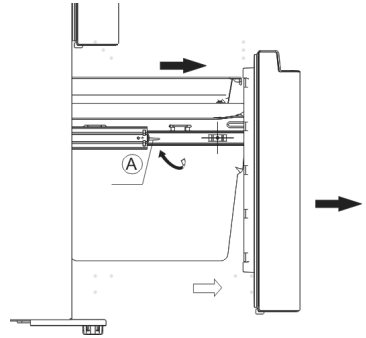
For sufficient leveling and air circulating in the lower rear section of the appliance, the bottom feet may need to be adjusted. You can adjust them manually by hand or by using a suitable spanner.

To allow the doors to self-close, tilt the top backwards by 10-15mm.

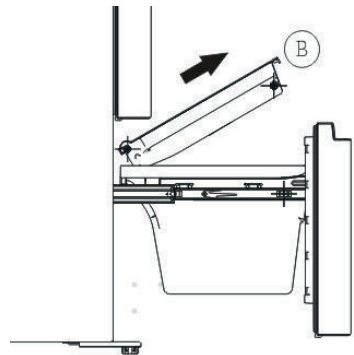


Disassembling the freezer drawer

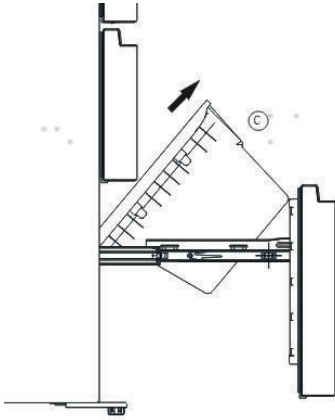
1. The freezer compartment is provided with an upper drawer, a lower drawer, two trays and an ice box;
2. Open the freezer door; Pull up the adjusting block (A) of the slide guides, and pull out the freezer door drawer (A) to the final position.



3. Take out the tray (B) by lifting it up in the direction of the arrow.



4. Remove the lower freezer drawer (C) by lifting it up.

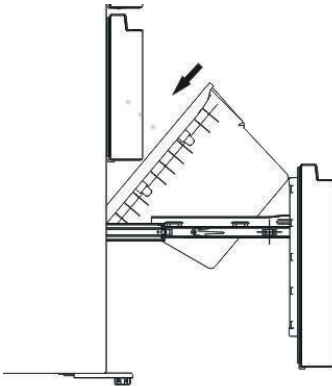


Re-assembling the freezer drawer

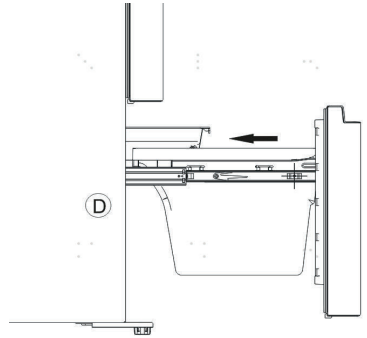
To reattach the drawer after you moved the appliance to its final location, assemble the parts in reverse order.

Installing the lower drawer

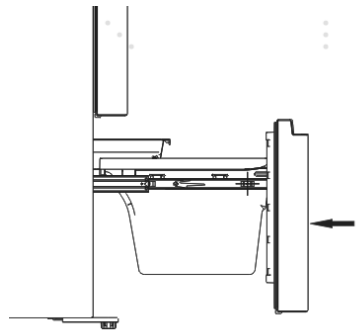
1. Push down the lower drawer to the final position in the direction of the arrow.



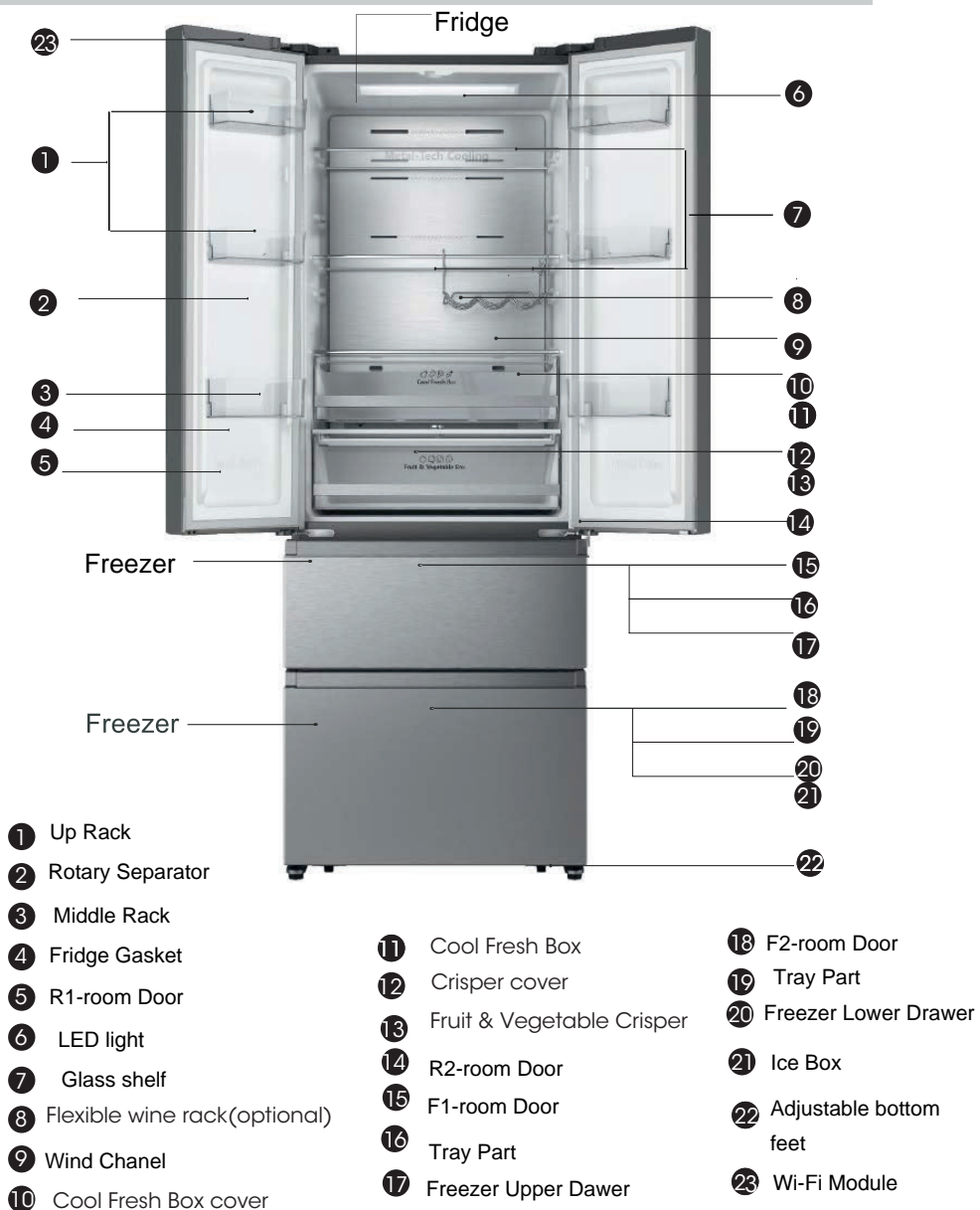
2. Put the tray on the drawer and push it award and ensure the tray's rollers on the freezer liner (D)'s fillets.



3. Push the freezer door along the arrow and close it.



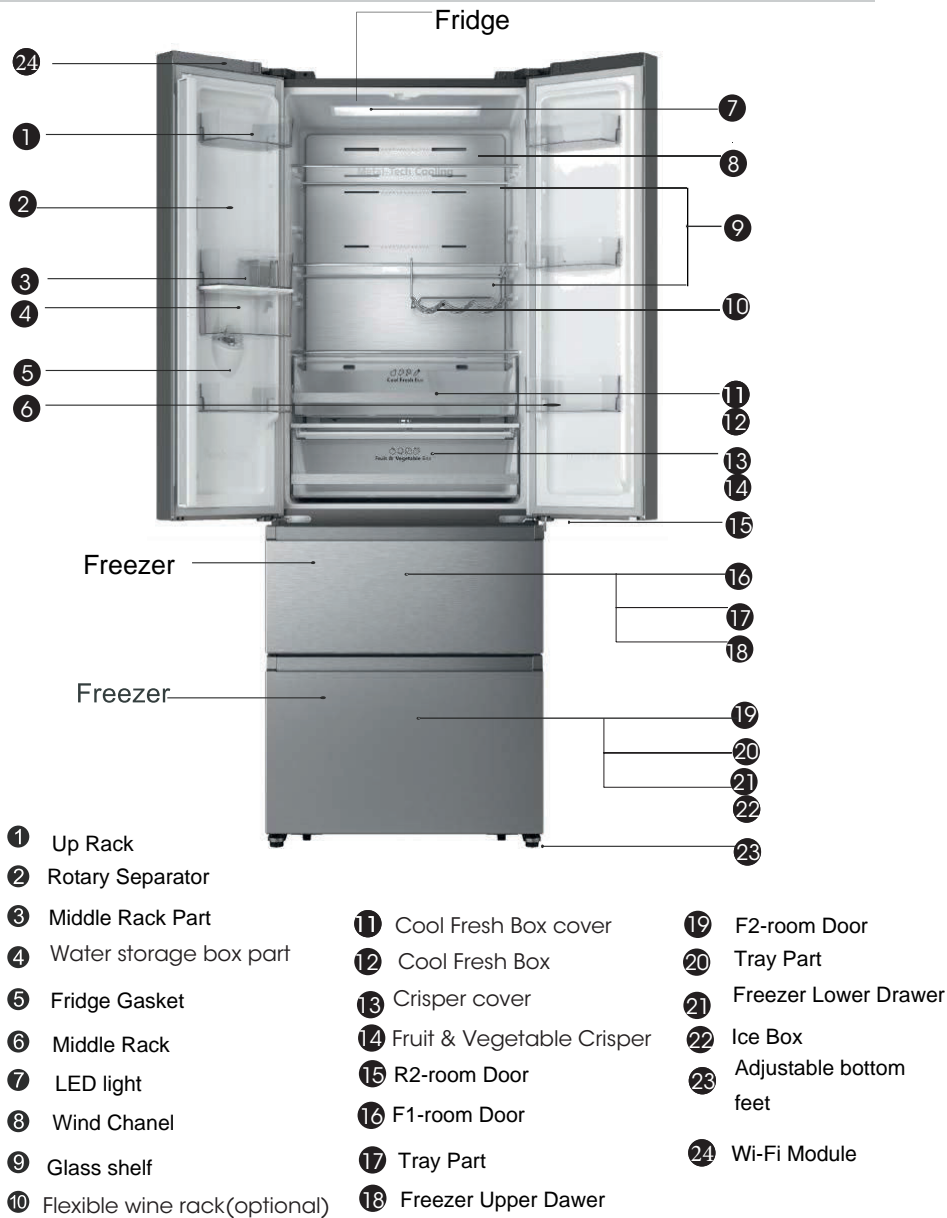
Description of the appliance



Note: Your model may look different from this and other images in this manual, depending on your model's features.

Note: To get the best energy efficiency of this product, please place all shelves, drawers on their original position as the illustration above.

Description of the appliance

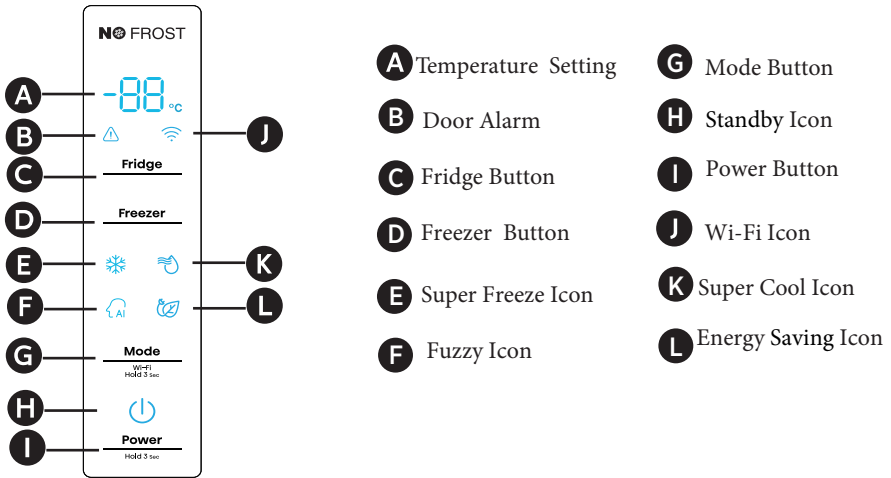


Note: Your model may look different from this and other images in this manual, depending on your model's features.

Note: To get the best energy efficiency of this product, please place all shelves, drawers on their original position as the illustration above.

Control panel

Use your appliance according to the following control regulations, your appliance has the corresponding functions and modes as the control panels showed in the pictures below.



NOTE



- Once the appliance is powered on, all icons on the display panel will be lit for 3 seconds with a buzzer sound.
- All the icons will go off on the condition of all keys untouched and all doors closed for one minute.
- The control panel will light up when the fridge door is open or you touch any button.

Caution!

The temperature only means the average temperature of the whole refrigerator cabinet. Temperatures inside each compartment may vary from those displayed on the panel, depending on how much food stored and where the refrigerator is placed. In addition, the actual temperature from higher room and lower room will be different.

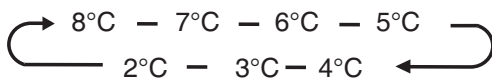
NOTE: Setting the refrigerator running at high temperature will accelerate food decomposition. For optimum food preservation, we recommend that when starting the refrigerator for the first time, the temperature of fridge is set to 4 °C, and that of the freezer to -18 °C.

Door Alarm

Opening the fridge door for over 2 minutes will trigger door alarm. The "" icon starts to blink and the buzzer rings 3 times per minute. Closing all the doors, the "" icon will go off and buzzing will stop. In addition, door alarm will stop automatically after 10 minutes.

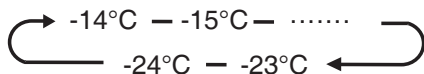
Fridge Fridge Temperature Setting

Touch the "Fridge" key to activate the temperature setting function of fridge. After that, touch the key continuously, the temperature will be set according to the following sequence:



Freezer Freezer Temperature Setting

Touch the "Freezer" key to activate the temperature setting function of freezer. After that, touch the key continuously, the temperature will be set according to the following sequence:



Mode Mode Setting

Wi-Fi
Hold 3 Sec

Each time you press the "Mode" button, the refrigerator mode will switch from the current mode (if not, start from Fuzzy), and switch between Fuzzy - Super Freeze - Super Cool - Energy Saving - Fuzzy 4 modes in turn, the corresponding icon lights up, and the temperature display area displays the corresponding set temperature. Exit the relevant mode when setting the refrigerating and freezing temperature.

Fuzzy

The refrigerator works in the way that is most conducive to the preservation and storage of food.

NOTE: In Fuzzy mode, the set temperatures of the refrigerator compartment and freezer compartment are 4°C and -18°C respectively.

Super Freeze

Use this mode when you want to quickly freeze food that has just been placed in the freezer.

NOTE: If the freezing capacity according to the rating plate is to be used, switch on Super Freeze at least 24 hours before the fresh products are placed in the freezer compartment. In the Super Freeze mode, the set temperature of the freezer compartment is -24°C, the refrigerator compartment still operates at the set temperature before entering the Super Freeze mode, and automatically exits after 52 hours of operation.

Super Cool

This mode can be used when you want to quickly cool down the food you put in the refrigerator.

NOTE: In the Super Cool mode, the set temperature of the refrigerator compartment is 2°C, and the freezer compartment still operates at the set temperature before entering the Super Cool mode, and automatically exits after 6 hours of operation.

Energy Saving

NOTE: In the Energy Saving mode, the set temperatures of the refrigerator compartment and the freezer compartment are 6°C and -17°C respectively.

Standby

Press the "Power" button for 3 seconds to enter/exit the standby function.

NOTE: When the refrigerator enters the standby function, the refrigerator will stop cooling and the temperature setting area will display "--".

Wi-Fi function

This appliance may be controlled remotely with a smart phone or a tablet computer. If the appliance is not connected to the home network, it will function like a regular appliance.

What do you need to connect the appliance?


- Signal from the local wireless network (Wi-Fi) should be sufficiently strong in the spot where the appliance is installed.
- Home network router has to be connected to the internet, and the Wi-Fi function on the appliance should be activated.
- The smart phone/tablet computer has to be connected to the internet.
- Operating system on your smart phone/tablet computer should be compatible with the ConnectLife app.

ConnectLife App

The ConnectLife App is available to download free of charge from the Apple App Store or from the Google Play Store.



Installing the ConnectLife app

1. Go to the App Store (on Apple devices), AppGallery (on Huawei devices) or Google Play store (on Android devices) on your phone/tablet computer.
2. Search for "ConnectLife". 
3. Choose the ConnectLife app and install it on your smart phone/tablet computer.

INFORMATION!

We recommend downloading and installing the mobile app and creating a ConnectLife account before attempting to set up the connection with your appliance.

CONNECT APPLIANCE TO WIFI

After activating the Wi-Fi function, connect your device to your home router in order to connect your appliance with the ConnectLife mobile app.

Step 1: Set the appliance to normal operation. Touch the Mode key for approximately 3 seconds. You entered network connection menu when '--' appears in the display.

Step 2: Touch the Fridge key to select 'O' within 60 seconds.

Step 3: Touch the Mode key to confirm the selection mode. The Wi-Fi symbol starts blinking and the network of this appliance is now open to connect to, for 5 minutes.

Step 4: When the Wi-Fi symbol is on, it means that the Wi-Fi connection is successful. The display will return to normal.

PAIR APPLIANCE

The appliance can be paired with your mobile device. Simply pair another user to your appliance. This requires, that your appliance was already set up before and is connected to your home network. If not, go back and select CONNECTION SETUP.

Step 1: Set the appliance to normal operation. Touch the Mode key for approximately 3 seconds. You entered network connection menu when '-' appears in the display.

Step 2: Touch the Fridge key to select 'P' within 60 seconds.

Step 3: Touch the Mode key to confirm the selection mode. The PAIR network of this appliance is now open to connect to, for 5 minutes.

Step 4: When the display will return to normal, it means the PAIR connection is successful.

UNBIND ALL PAIR APPLIANCE

By activating this function, the appliance will be removed from all paired app user accounts.

Step 1: Set the appliance to normal operation. Touch the Mode key for approximately 3 seconds. You entered network connection menu when '--' appears in the display.

Step 2: Touch the Fridge key to select '88' within 60 seconds.

Step 3: Touch the Mode key to confirm the selection mode to realize unbinding.

Step 4: After the device is unbound, it will automatically enter the distribution network state, the Wi-Fi icon flashes, and the distribution network time is up to 5 minutes.

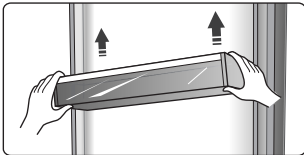


Using your appliance

Your appliance has the accessories as the "Description of the appliance" showed in general, with this part instruction you can have the right way to use them. We recommend that you read through them carefully before using the appliance.

Door rack

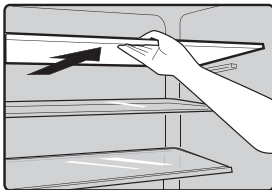
- It is suitable for the storage of eggs, canned liquid, bottled drinks and packed food, etc. Do not place too many heavy things in the racks.
- The door racks can be placed at different heights according to your requirements. Please take food out of the shelf before lifting vertically to reposition.



- All the door racks are completely removable for cleaning.

Shelf in Refrigerator chamber

- The shelves in refrigerator chamber can be taken out to be cleaned.



Flexible wine rack(optional)

- It is for storing bottled wine or drinks, and it can be taken out to clean.

Note: Do not place the bottled wine or drinks directly in front of the air outlet on the wind channel, which may cause it to freeze.

Cool fresh box

- In certain mode, there will be an extra fresh box(drawer). In this drawer you can get a lower temperature to store fish, meat and other erodible food.

Normally it will be about 1°C lower than the other part of the fresh compartment. There are some commendations in the below table which you can consult.

| temp. setting of fridge compartment | type of food | suggested storage period |
|-------------------------------------|--------------|--------------------------|
| 2 or 3 or 4°C | fish or meat | ≤2days |
| 5 or 6°C | fruit | <2weeks |
| 7 or 8°C | vegetables | <5days |

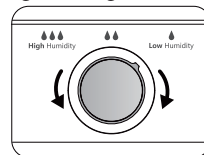
Note: The actual temperature of Cool fresh box may lower than zero, so it is normal that liquid in this drawer was frozen.

Fruit & Vegetable crisper

- The crisper is suitable for storage of vegetables and fruit, etc.

Crisper and Humidity control

- You can rotate the knob on the crisper cover to keep different humidity in the crisper. Push the knob to the left, you will keep a higher humidity which can storage vegetable and fruit long and fresh, to the right will be lower humidity. It is for controlling the temperature of the crisper and avoiding the vegetable losing moisture.



Freezer drawer

- It is used to store food which need to be frozen, including meat, fish and ice cream, etc.

ice tray

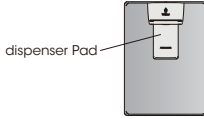
- It is used to make ice cubes. To make ice cubes, please fill water into the ice cube trays and the water level shall not exceed the top line(ideally eighty percent of the ice tray volume). Place the tray into the freezer compartment. and wait at least two hours for the ice cubes to be formed. After the cubes are formed, gently twist the tray to separate the cubes and trays.



Note: If the ice tray is used for the first time or has not been used for a long time, please clean it before using.

Water Dispenser(only for appliance with dispenser)

The water dispenser, located in the fridge door, is for storing drinking water. With this appliance you can obtain chilled water easily without opening the refrigerator. You should review of following tips.



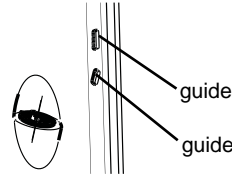
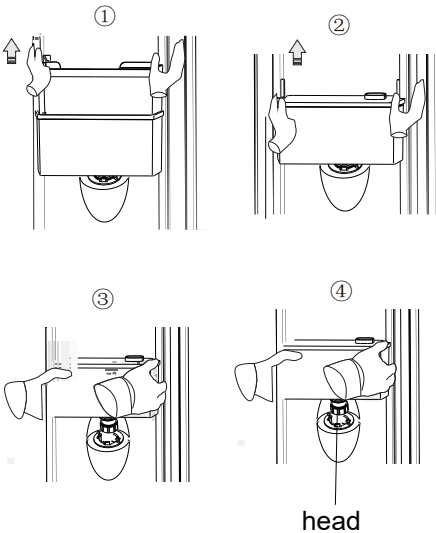
• Before using

Before using this appliance for the first time, you should use it as follows.

1. Hold one bottom side of the door rack by a hand, lift up the opposite side by the other hand, when the slot of the door rack is off from the guide, change hands to repeat these steps.
2. Hold one bottom side of the water tank by a hand, lift up the opposite side by the other hand, when the slot of the water tank is off from the guide, change hands to repeat these steps.
3. Hold the two side of the water tank tightly, lift up and put out of the water tank.
4. Unsrew the head, then clean head, lids and the water tank.

Caution!

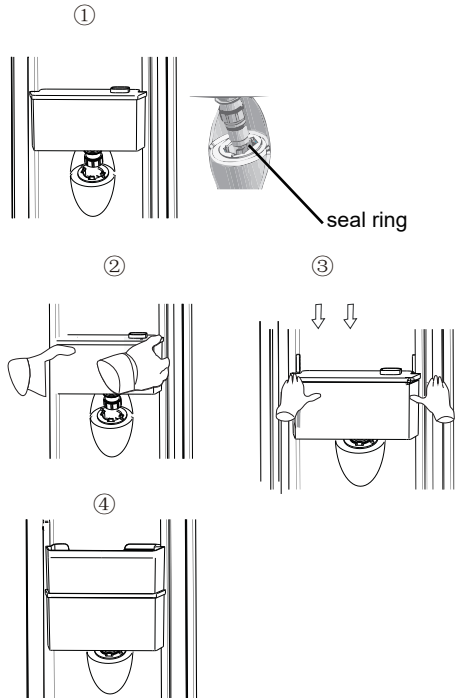
Drain the water tank before you take it down



• Assembling

After cleaning, please assemble the parts including the head, water tank and lids as follows:

1. Put the seal ring in order first (the seal ring can not turn up), then insert the head into the hole.
 2. Hold the two sides of the water tank tightly, fit the water tank along the guides on the door.
 3. Push the two sides of the water tank downward as the picture shows.
 4. When you hear clicks by both sides and at the same time the both sides of the water tank is closed to the door liner, It means th installation is completed.
- then put on the middle rack well .



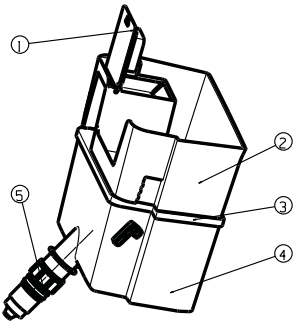
• Filling water

Before you fill the drinking water into the water tank, ensure that the water tank is steady and in a correct position.

Caution!

Fill with water up to 2.5 L (which is suggested) and not above the level. Otherwise, it may overflow when the lids is closed.

We recommend that you fill the water by the following way.
Open the small lid and fill water from the inlet of the middle rack.



- ① water supply inlet cover
- ② middle rack
- ③ water storage box cover
- ④ water sotorage box
- ⑤ head

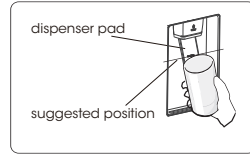
Warning!

Don't touch the other parts of the appliance when filling water, it may cause the water leakage.

Please pour water slowly, or the water will overflow.

Receiving water

- You should use the correct cups to receive water underneath the water dispenser.



Warning!

- Don't push the dispenser lever forward without cup, it may cause the water leak from the dispenser.

| Order | Compartments Type | Target storage temp.[°C] | Appropriate food |
|-------|-------------------|--------------------------|-----------------------------------------------------------------------------------------------------------------------------------------------------------------------------------------------------------------------------------------------------------------------|
| 1 | Fridge | +2~+8 | Eggs, cooked food, packaged food, fruits and vegetables, dairy products, cakes, drinks and other foods which are not suitable for freezing. |
| 2 | (***)*-Freezer | ≤-18 | Seafood (fish,shrimp,shellfish),freshwater aquatic products and meat products (recommended for 3 months ,the longer the storage time,the worse the taste and nutrition),suitable for frozen fresh food. |
| 3 | ***-Freezer | ≤-18 | Seafood (fish, shrimp, shellfish),freshwater aquatic products and meat products (recommended for 3 months,the longer the storage time,the worse the taste and nutrition),are not suitable for frozen fresh. |
| 4 | ** -Freezer | ≤-12 | Seafood (fish, shrimp, shellfish), freshwater aquatic products and meat products (recommended for 2 months,the longer the storage time,the worse the taste and nutrition), are not suitable for frozen fresh. food. |
| 5 | *-Freezer | ≤-6 | Seafood (fish, shrimp, shellfish), freshwater aquatic products and meat products (recommended for 1 month,the longer the storage time, the worse the taste and nutrition). |
| 6 | 0-star | -6~0 | Fresh pork, beef, fish, chicken, some packaged processed foods, etc. (Recommended to eat within the same day, preferably no later than 3 days) . Partially encapsulated processed foods (non-freezable foods) |
| 7 | Chill | -2~+3 | Fresh/frozen pork, beef, chicken, freshwater aquatic products, etc. (7 days below 0°C and above 0°C is recommended for consumption within that day, preferably no more than 2 days). Seafood (less than 0°C for 15 days, it is not recommended to store above 0°C) |
| 8 | Fresh Food | 0~+4 | Fresh pork,beef,fish,chicken,cooked food,etc. (Recommended to eat within the same day,preferably no more than 3 days) |
| 9 | Wine | +5~+20 | red wine,white wine,sparkling wine etc. |

Note: please store different foods according to the compartments or target storage temperature of your purchased products.

- If the refrigerating appliance is left empty for long periods,switch off,defrost, clean,dry, and leave the door open to prevent mould developing within the appliance.

Helpful hints and tips

Energy saving tips

We recommend that you follow the tips below to save energy.

- Try to avoid keeping the door open for long periods in order to conserve energy.
- Ensure the appliance is away from any sources of heat (Direct sunlight, electric oven or cooker etc)
- Don't set the temperature colder than necessary.
- Don't store warm food or evaporating liquid in the appliance.
- Place the appliance in a well ventilated, humidity free, room. Please refer to Installing your new appliance chapter.
- If the diagram shows the correct combination for the drawers, crisper and shelves, do not adjust the combination as this is designed to be the most energy efficient configuration.

Hints for fresh food refrigeration

- Do not place hot food directly into the refrigerator or freezer, the internal temperature will increase resulting in the compressor having to work harder and will consume more energy.
- Do cover or wrap the food, particularly if it has a strong flavor.
- Place food properly so that air can circulate freely around it.

Hints for refrigeration

- Meat (All Types) Wrap in polythene food: wrap and place on the glass shelf above the vegetable drawer. Always follow food storage times and use by dates suggested by manufacturers.
- Cooked food, cold dishes, etc.:
They should be covered and may be placed on any shelf.
- Fruit and vegetables:
They should be stored in the special drawer provided.
- Butter and cheese:

Should be wrapped in airtight foil or plastic film wrap.

- Milk bottles:

Should have a lid and be stored in the door racks.

Hints for freezing

- When first starting up or after a period out of use, let the appliance run at least 2 hours on the higher settings before putting food in the compartment.
- Prepare food in small portions to enable it to be rapidly and completely frozen and to make it possible to subsequently thaw only the quantity required.
- Wrap up the food in aluminum foil or polyethylene food wraps which are airtight.
- Don't allow fresh, unfrozen food to touch the food which is already frozen to avoid temperature rise of the latter.
- Iced products, if consumed immediately after removal from the freezer compartment, will probably cause frost burns to the skin.
- It is recommended to label and date each frozen package in order to keep track of the storage time.

Hints for the storage of frozen food

- Ensure that frozen food has been stored correctly by the food retailer.
- Once defrosted, food will deteriorate rapidly and should not be re-frozen. Do not exceed the storage period indicated by the food manufacturer.

Switching off your appliance

If the appliance needs to be switched off for an extended period, the following steps should be taken prevent mould on the appliance.

1. Remove all food.
2. Remove the power plug from the mains socket.
3. Clean and dry the interior thoroughly.
4. Ensure that all the doors are wedged open slightly to allow air to circulate.

Cleaning and care

For hygienic reasons the appliance (including exterior and interior accessories) should be cleaned regularly (at least every two months).

Warning!

- The appliance must not be connected to the mains during cleaning as there is a danger of electrical shock! Before cleaning switch the appliance off and remove the plug from the mains socket.

Exterior cleaning

- To maintain good appearance of your appliance, you should clean it regularly.
- Wipe the control panel with a clean, soft cloth.
- Spray water onto the cleaning cloth instead of spraying directly on the surface of the appliance. This helps ensure an even distribution of moisture to the surface.
- Clean the doors, handles and cabinet surfaces with a mild detergent and then wiped dry with a soft cloth.



Caution!

- Don't use sharp objects as they are likely to scratch the surface.
- Don't use Thinner, Car detergent, Clorox, ethereal oil, abrasive cleansers or

organic solvent such as Benzene for cleaning. They may damage the surface of the appliance and may cause fire.

Interior cleaning

- You should clean the appliance interior regularly. It will be easier to clean when food stocks are low. Wipe the inside of the fridge freezer with a weak solution of bicarbonate of soda, and then rinse with warm water using a wrung-out sponge or cloth. Wipe completely dry before replacing the shelves and baskets. Thoroughly dry all surfaces and removable parts before putting them back into place.



- Although this appliance automatically defrosts, a layer of frost may occur on the freezer compartment's interior walls if the freezer door is opened frequently or kept open too long. If the frost is too thick, choose a time when the freezer is nearly empty and proceed as follow:

1. Remove existing food and accessories baskets, unplug the appliance from the mains power and leave the doors open. Ventilate the room thoroughly to accelerate the process.
2. When defrosting is completed, clean your freezer as described above.

Caution!

- Don't use sharp objects to remove frost from the freezer compartment. Only after the interior is completely dry should the appliance be switched back on and plugged back into the mains socket.

Door seals cleaning

- Take care to keep door seals clean. Sticky food and drinks can cause seals to stick to the cabinet and tear when you open the door. Wash seal with a mild detergent and warm water. Rinse and dry it thoroughly after cleaning.

Caution!

- Only after the door seals are completely dry should the appliance be powered on .

Replacing the LED light:**Warning:**

- The LED light should be replaced by a

competent person. If the LED light is damaged, contact the customer helpline for assistance. To replace the LED light, the below steps can be followed:

1. Unplug your appliance.
2. Remove light cover by pushing up and out.
3. Hold the LED cover with one hand and pull it with the other hand while pressing the connector latch.
4. Replace LED light and snap it correctly in place.

Note: This product contains a light source of energy efficiency class <G>.

Water dispenser cleaning (special for water dispenser products):

- Clean water tanks if they have not been used for 48h; flush the water system connected to a water supply if water has not been drawn for 5 days.

Troubleshooting

If you experience a problem with your appliance or are concerned that the appliance is not functioning correctly, you can carry out some easy checks before calling for service, please see below.

Warning! Don't try to repair the appliance yourself. If the problem persists after you have made the checks mentioned below, contact a qualified electrician, authorized service engineer or the shop where you purchased the product.

| Problem: | Possible cause & Solution |
|------------------------------------|----------------------------------------------------------------------------------------------------------------------------------------------------------------------------------------------------------------------------------------------------------------------------------------------------------------------------------------------------------------------------------------------------------------------------------------------------------------------------------------------------------------------------------------------------------------------------------------------------------------------------------------------------------------------------------------------|
| Appliance is not working correctly | <ul style="list-style-type: none">➤ Check whether the power cord is plugged into the power outlet properly.➤ Check the fuse or circuit of your power supply, replace if necessary.➤ The ambient temperature is too low. Try setting the chamber temperature to a colder level to solve this problem.➤ It is normal that the freezer is not operating during the automatic defrost cycle, or for a short time after the appliance is switched on to protect the compressor. |
| Odours from the compartments | <ul style="list-style-type: none">➤ The interior may need to be cleaned.➤ Some food, containers or wrapping cause odours. |
| Noise from the appliance | <p>The sounds below are quite normal:</p> <ul style="list-style-type: none">➤ Compressor running noises.➤ Air movement noise from the small fan motor in the freezer compartment or other compartments.➤ Gurgling sound similar to water boiling.➤ Popping noise during automatic defrosting.➤ Clicking noise before the compressor starts. <p>Other unusual noises are due to the reasons below and may need you to check and take action:</p> <ul style="list-style-type: none">➤ The cabinet is not level.➤ The back of appliance touches the wall.➤ Bottles or containers knocking against each other. |
| The motor runs continuously | <p>It is normal to frequently hear the sound of the motor, it will need to run more during following circumstances:</p> <ul style="list-style-type: none">➤ Temperature setting is set colder than necessary.➤ Large quantity of warm food has recently been stored within the appliance.➤ The temperature outside the appliance is too high.➤ Doors are kept open too long or too often.➤ After your installing the appliance or it has been switched off for a long time. |

| Problem: | Possible cause & Solution |
|--------------------------------------------|-------------------------------------------------------------------------------------------------------------------------------------------------------------------------------------------------------------------------------------------------------------------------------------------------|
| A layer of frost occurs in the compartment | <ul style="list-style-type: none"> ▶ Check that the air outlets are not blocked by food and ensure food is placed within the appliance to allow sufficient ventilation. Ensure the door can be fully closed. To remove the frost, please refer to the cleaning and care chapter. |
| Temperature inside is too warm | <ul style="list-style-type: none"> ▶ You may have left the doors open too long or too frequently; or the doors are kept open by some obstacle; or the appliance is located with insufficient clearance at the sides, back and top. |
| Temperature inside is too cold | <ul style="list-style-type: none"> ▶ Increase the temperature by following the "Control Panel" chapter. |
| Doors can't be closed easily | <ul style="list-style-type: none"> ▶ Check whether the top of the refrigerator is tilted back by 10-15mm to allow the doors to self close, or if something inside is preventing the doors from closing. |

Disposal of the appliance

It is prohibited to dispose of this appliance as household waste.

Packaging materials

Packaging materials with the recycle symbol are recyclable. Dispose of the packaging into a suitable waste collection container to recycle it.

Before disposal of the appliance

1. Pull out the mains plug from the mains socket.
2. Cut off the power cord and discard with the mains plug.

Warning! Refrigerators contain refrigerant and gases in the insulation. Refrigerant and gases must be disposed of professionally as they may cause eye injuries or ignition. Ensure that tubing of the refrigerant circuit is not damaged prior to proper disposal.

Correct Disposal of this product



This symbol on the product or in its packing indicates that this product may not be treated as household waste. Instead, it should be taken to the appropriate waste collection point for the recycling of electrical and electronic equipment. By ensuring this product is disposed of correctly, you will help prevent potential negative consequences for the environment and human health, which could otherwise be caused by the inappropriate waste handling of this product. For more detailed information about the recycling of this product, please contact your local council your household waste disposal service, or the shop where you purchased the product.

Hisense

life reimagined

BEDIENUNGSANLEITUNG

Bevor Sie dieses Gerät bedienen, lesen Sie bitte dieses Handbuch sorgfältig durch und bewahren Sie es zum späteren Nachschlagen auf

DE

Deutsch

Inhalt

| | |
|----------------------------------------------------|----|
| Informationen zur Sicherheit und Warnhinweise..... | 3 |
| Aufbau Ihres neuen Gerätes..... | 12 |
| Beschreibung des Geräts..... | 15 |
| Schalttafel..... | 17 |
| Ihr Gerät verwenden..... | 21 |
| Hilfreiche Tipps und Tricks..... | 25 |
| Reinigung und Pflege..... | 26 |
| Fehlerbehebung..... | 28 |
| Entsorgung des Gerätes..... | 29 |

Informationen zur Sicherheit und Warnhinweise

Ihre Sicherheit und die Sicherheit anderer ist uns sehr wichtig.

Wir haben in dieser Bedienungsanleitung und auf Ihrem Haushaltsgerät viele wichtige Sicherheitshinweise zusammengefasst. Lesen und befolgen Sie immer die Sicherheitshinweise.



Dies ist das Sicherheitssymbol.

Dieses Symbol weist Sie auf mögliche Gefahren hin, die Sie und andere töten oder verletzen können. Allen Sicherheitshinweisen ist dieses Sicherheitshinweis-Symbol vorangestellt und entweder das Wort „GEFAHR“, „WARNUNG“ oder „ACHTUNG“.

Diese Wörter bedeuten:

GEFAHR

Eine drohende gefährliche Situation. Sie könnten getötet oder ernsthaft verletzt werden falls Sie nicht unmittelbar den Anweisungen folgen.

WARNUNG

Eine potenziell gefährliche Situation, so denn sie nicht verhindert wird, kann zum Tod oder schweren körperlichen Verletzungen führen.

ACHTUNG

Eine potenziell gefährliche Situation, so denn sie nicht verhindert wird, kann zu mäßigen oder leichten Verletzungen führen.

Alle Sicherheitshinweise zeigen Ihnen die potenzielle Gefahr an, und sagen Ihnen, wie Sie das Verletzungsrisiko reduzieren können, und sagen Ihnen, was passieren kann, wenn die Anweisungen nicht befolgt werden.



Informationen zur Sicherheit und Warnhinweise

Zu Ihrer eigenen Sicherheit und ordnungsgemäßen Verwendung lesen Sie bitte vor Installation und erstmaligem Gebrauch des Geräts das Benutzerhandbuch sorgfältig durch, einschließlich der Hinweise und Warnungen. Zur Vermeidung von unnötigen Fehlern und Unfällen ist es erforderlich, dass alle Personen, die das Gerät verwenden, hinreichend vertraut sind mit dessen Betrieb und seinen Sicherheitsmerkmalen. Bewahren Sie diese Anleitungen sorgfältig auf und stellen Sie sicher, dass diese beim Gerät verbleiben, wenn dieses verstellt oder verkauft wird, damit jeder, der das Gerät im Laufe seiner Lebenszeit verwendet, ausreichend über dessen korrekte Inbetriebnahme und Sicherheit informiert ist.

Zum Schutz des Lebens und Eigentums beachten Sie bitte die Vorsichtsmaßnahmen in dieser Bedienungsanleitung, denn der Hersteller ist nicht für Schäden verantwortlich, die aufgrund von Missachtungen entstehen.

Sicherheit für Kinder und Menschen mit Gebrechen

➤ Nach EN-Norm

Dieses Gerät kann von Kindern von 8 Jahren und älter sowie Personen mit eingeschränkten körperlichen, sensorischen bzw. geistigen Fähigkeiten oder mangelnder Erfahrung und Wissen verwendet werden, wenn sie eine Beaufsichtigung bzw. Anweisung für die Nutzung der Maschine auf sichere Weise erfahren und die Risiken gekannt haben. Die Kinder dürfen nicht mit dem Gerät spielen. Die Reinigung und Wartung dürfen nicht von Kindern ohne Aufsicht durchgeführt werden. Die Kinder im Alter von 3 bis 8 Jahren dürfen Kühlgeräte be- und entladen.

➤ Nach IEC-Norm

Dieses Gerät ist nicht dafür bestimmt, durch Personen (einschließlich Kinder) mit eingeschränkten physischen, sensorischen oder geistigen Fähigkeiten oder mangels Erfahrung und mangels Wissen benutzt zu werden, es sei denn, sie werden durch eine für ihre Sicherheit zuständige Person beaufsichtigt oder erhalten von ihr Anweisungen, wie das Gerät zu benutzen ist.

- Kinder sollten beaufsichtigt werden, um sicherzustellen, dass sie nicht mit dem Gerät spielen.
- Halten Sie alle Verpackungsteile von Kinder fern, weil es die Gefahr des Erstickens besteht.
- Ziehen Sie den Stecker aus der Buchse, wenn Sie das Gerät entsorgen, schneiden Sie das Verbindungskabel (so nah am Gerät wie möglich) ab und entfernen Sie die Tür, um zu vermeiden, dass spielende Kinder Stromschläge erhalten, wenn sie sich darin einschließen.
- Wenn Sie das Gerät, mit Magnettürverschluss, gegen eine älteres Gerät mit Schnappschloss (Verriegelung) an der Tür oder dem Deckel austauschen, achten Sie bitte darauf, das Schnappschloss unbrauchbar zu machen, bevor sie es entsorgen. Dadurch wird die Gefahr vermieden, dass für Kinder daraus eine Todesfalle wird.



Allgemeine Sicherheitsvorschriften

- **WARNUNG** — Dieses Gerät ist für den Haushalt und ähnliche Anwendungen wie
 - Mitarbeiter-Küchenbereiche in Läden, Büros und anderen Arbeitsumgebungen;
 - Bauernhäuser und von Kunden in Hotels, Motels und anderen Wohnräumen;
 - Bett- und Frühstück-Typ Umgebungen;
 - Gastronomie und ähnliche Non-Retail-Anwendungen.
- **WARNUNG** — Bewahren Sie keine explosiven Stoffe wie Spraydosen mit brennbaren Treibmittel in diesem Gerät.
- **WARNUNG** — Wenn das Netzkabel beschädigt ist, muss es durch den Hersteller, seinen Kundendienst oder eine ähnlich qualifizierte Person ersetzt werden, um eine Gefahr zu vermeiden.
- **WARNUNG** — Halten Sie die Belüftungsöffnungen, die Geräteverkleidung oder die integrierte Struktur von Behinderungen frei.
- **WARNUNG** — Verwenden Sie keine mechanischen Vorrichtungen oder anderen Mittel, um den Entfrostsprozess zu beschleunigen, außer wenn die vom Hersteller empfohlen sind.
- **WARNUNG** — Beschädigen Sie den Kältemittelkreislauf nicht.
- **WARNUNG** — Verwenden Sie keine elektrischen Geräte innerhalb des Lebensmittellablagefachs des Gerätes, außer wenn sie die vom Hersteller empfohlenen Typen sind.
- **WARNUNG** — Das Kältemittel und Isoliertreibgas sind brennbar. Bei der Entsorgung des Geräts handeln Sie es nur bei einem zugelassenen Entsorgungszentrum. Nicht Flamme aussetzen.
- **WARNUNG** — Stellen Sie bei der Positionierung des Geräts sicher, dass das Netzkabel nicht eingeklemmt oder beschädigt ist.

- **WARNUNG** — Stellen Sie die Mehrfachkupplungssteckdose oder portable Stromversorgung nicht an der Geräterückseite auf.
- **WARNUNG** — Die Lebensmittel müssen in Säcken verpackt werden, bevor sie in den Kühlschrank gestellt werden. Und die Flüssigkeiten müssen in Flaschen oder in verschlossenen Behältern verpackt werden, um das Problem zu vermeiden, dass die Produktdesignstruktur nicht leicht zu reinigen ist.



Das Symbol ist eine Warnung und zeigt an, dass das Kältemittel und das Treibgas der Isolierung brennbar sind.

Warnung: Gefahr von Brand/brennbaren Stoffen

Austauschen der Beleuchtungslampen

- **WARNUNG** — Die Beleuchtungslampen dürfen nicht vom Benutzer ausgetauscht werden! Wenn die Beleuchtungslampen beschädigt sind, wenden Sie sich an den Kundendienst. Dieser Warnhinweis gilt nur für die Kühlschränke, die Beleuchtungslampen enthalten.

Kältemittel

Das Kältemittel Isobuten (R600a) ist innerhalb des Kältemittelkreislaufs des Gerätes enthalten, und ein Naturgas mit einer besonders hohen Umweltverträglichkeit ist jedoch brennbar. Während des Transports und der Installation des Gerätes sollen Sie sicherstellen, dass keine der Komponenten des Kältemittelkreislaufs beschädigt ist.

Das Kältemittel (R600a) ist brennbar.

- **WARNUNG** — Die Kühlschränke enthalten Kältemittel und Gase in der Isolierung. Die Kältemittel und Gase müssen fachgerecht entsorgt werden, da sie zu Augenverletzungen oder Entzündung führen können. Stellen Sie sicher, dass der Schlauch des Kühlkreislaufs vor der ordnungsgemäßen Entsorgung nicht beschädigt ist.



Vorsicht: Brandgefahr

Wenn der Kältemittelkreislauf beschädigt würde:

- Vermeiden Sie offene Flammen und Zündquellen.
- Lüften Sie den Raum sorgfältig, in dem das Gerät steht.

Es ist gefährlich, diese Spezifikationen zu ändern oder das Produkt in irgendeiner Art und Weise zu verändern.

Jegliche Beschädigung des Kabels kann zu einem Kurzschluss, Brand und/oder Stromschlag führen.



Elektrische Sicherheit

- Das Stromkabel darf nicht verlängert werden.
- Vergewissern Sie sich, dass der Stromstecker nicht eingequetscht oder beschädigt wird. Ein gequetschter oder beschädigter Stromstecker könnte Kurzschluss, Stromschlag oder Überhitzung und sogar einen Brand verursachen.
- Achten Sie darauf, dass Sie an den Gerätenetzstecker gelangen.
- Ziehen Sie nicht am Kabel.
- Stecken Sie den Stromstecker nicht ein, wenn die Stromsteckerbuchse locker ist. Es besteht Brand- oder Stromschlaggefahr.
- Das Gerät darf ohne Deckel auf der Innenbeleuchtung nicht betrieben werden.
- Der Kühlschrank eignet sich nur für Einphasenwechselstrom mit 220~240V/50Hz. Wenn die Spannungsschwankung im Benutzerbezirk so groß ist, dass die Spannung den oben genannten Bereich überschreitet, verwenden Sie aus Sicherheitsgründen unbedingt A.C. so nutzen Sie aus Sicherheitsgründen bitte einen automatischen Wechselspannungsregler mit über 350W. Der Kühlschrank muss an eine spezielle Steckdose statt einer gemeinsamen mit anderen elektrischen Geräten angeschlossen werden. Sein Stecker muss für eine Steckdose mit Erdung geeignet sein.

Tägliche Nutzung

- Lagern Sie keine entzündlichen Gase oder Flüssigkeiten im Gerät; es besteht Explosionsgefahr.
- Betreiben Sie keine anderen elektrogeräte innerhalb des Kühlschranks (zum Beispiel elektrische Eismaschinen, Mischungen usw.).
- Ziehen Sie, wenn Sie das Gerät ausstecken, immer am Stecker, nicht am Kabel.
- Stellen Sie keine heißen Gegenstände in die Nähe der Plastikteile des Geräts.
- Stellen Sie keine Lebensmittel direkt an die Luftaustrittsöffnung an der Rückwand.
- Vorverpackte Tiefkühlkost gemäß den Anweisungen des Tiefkühlkostherstellers lagern.
- Die Empfehlungen des Geräteherstellers zur Lagerung sollten strikt befolgt werden. Siehe entsprechende Anweisungen zum Einfrieren.
- Stellen Sie keine Getränke mit Kohlensäure in das Gefrierfach, denn sie üben Druck auf den Behälter aus, können ihn zum Explodieren bringen und so das Gerät beschädigen.
- Gefrorenes Essen können Frostverbrennungen verursachen, wenn sie direkt nach der Entnahme aus dem Gefrierfach konsumiert werden.
- Stellen Sie das Gerät nicht direkt in die Sonne.
- Halten Sie Kerzen, Lampen und andere Gegenstände mit offenen Flammen fern von dem Gerät, so dass das Gerät nicht in Brand gesetzt ist.
- Das Gerät ist für die Aufbewahrung von Lebensmitteln und/oder Getränke im normalen Haushalt, wie in dieser Gebrauchsanleitung beschrieben, bestimmt. Das Gerät ist schwer. Beim Bewegen sollte man sehr sorgfältig vorgehen.

- Entfernen Sie nicht die Gegenstände aus dem Gefrierfach und berühren Sie nicht sie, wenn Ihre Hände feucht/nass sind, da dies Hautabschürfungen oder Frost/Gefrierbrand verursachen könnte.
- Verwenden Sie niemals die Basis, Schubladen und Türen usw. zum Stehen oder als Träger.
- Gefrorene Lebensmittel dürfen nicht erneut eingefroren werden, wenn sie einmal abgetaut wurden.
- Nicht essen Eis am Stiel oder Eiswürfel direkt nach der Entnahme aus dem Gefrierfach, da dies zu Gefrierbrand in Mund und Lippen führen könnte.
- Überbelasten Sie die Türabsteller nicht oder legen nicht zu viele Nahrungsmittel im Gemüsefach, um Herunterfallen der Gegenstände zu vermeiden. Dies könnte zu Verletzungen oder Schäden am Gerät führen.
- Dieses Kühlgerät ist nicht für die Verwendung als Einbaugerät vorgesehen.



Vorsicht!

Pflege und Reinigung

- Schalten Sie das Gerät vor der Wartung ab und ziehen Sie das Stromkabel aus der Buchse.
- Reinigen Sie das Gerät nicht mit Hilfe von Metallobjekten, Dampfreinigern, ätherischen Ölen, organischen Lösungsmitteln oder Scheuermitteln.
- Verwenden Sie keine scharfen Objekte, um das Eis aus dem Gerät zu kratzen. Benutzen Sie einen Plastischaber

Installation Wichtig!

- Befolgen Sie für die elektrische Verbindung sorgfältig die Anweisungen in den einzelnen Absätzen.
- Packen Sie das Gerät aus und prüfen Sie, ob es beschädigt ist. Ist es beschädigt, schließen Sie das Gerät nicht an den Strom an. Sondern setzen Sie sich umgehend mit dem Händler, bei dem Sie das Gerät gekauft haben, in Verbindung. Heben Sie in diesem Fall bitte alle Verpackungsmaterialien auf.

- Es ist ratsam, zumindest vier Stunden zu warten, bevor das Gerät eingeschaltet wird, damit das Öl in den Kompressor zurück fließen kann.
- Um das Gerät herum, sollte ausreichend Luftzirkulation vorhanden sein; ansonsten kann es überhitzen. Befolgen Sie alle für die Installation relevanten Anweisungen, um eine ausreichende Ventilation zu gewährleisten.
- Wenn möglich, sollte die Rückseite des Geräts an eine Wand zeigen, um den Kontakt zu warmen Teilen (Kompressor, Kondensator) zu vermeiden. Befolgen Sie die für die Installation relevanten Anweisungen, um Brandrisiken zu verhindern.
- Das Gerät darf nicht in der Nähe von Heizungen oder Kochstellen stehen.
- Vergewissern Sie sich, dass der Stromstecker nach der Geräteaufstellung zugänglich

Wartung

- Alle elektrischen Arbeiten im Rahmen der Wartung sollten von einem qualifizierten Elektriker oder einer kompetenten Person durchgeführt werden.
- Das Produkt muss von einem zugelassenen Service-Zentrum gewartet werden, außerdem dürfen nur Original-Ersatzteile verwendet werden.
 1. Wenn das Gerät Frost-Free ist.
 2. Wenn das Gerät das Gefrierfach enthält.

Beachten Sie die folgenden Anweisungen, um eine Kontamination von Lebensmitteln zu vermeiden

- Wenn Sie die Tür längere Zeit geöffnet halten, kann dies zu einer erheblichen Temperaturerhöhung in den Kammern des Geräts führen.
- Reinigen Sie regelmäßig Oberflächen, die mit Lebensmitteln und zugänglichen Ablaufsystemen in Kontakt kommen können.
- Sie rohes Fleisch und Fisch in geeigneten Behältern im Kühlschrank auf, damit es nicht mit anderen Lebensmitteln in Berührung kommt oder darauf tropft.
- Zwei-Sterne-Tiefkühlfächer eignen sich für die Lagerung von Tiefkühlkost, die Lagerung oder Herstellung von Eiscreme und die Herstellung von Eiswürfeln.
- Ein-, Zwei- und Drei-Sterne-Abteile sind nicht zum Einfrieren frischer Lebensmittel geeignet.

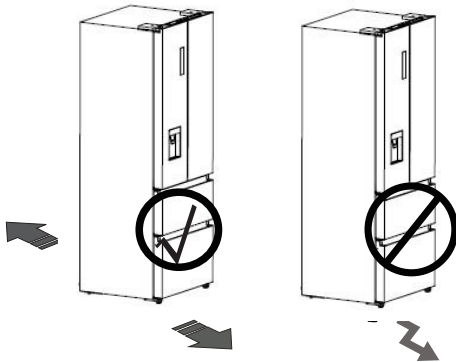
Aufbau Ihres neuen Gerätes

Bevor Sie das Gerät zum ersten Mal in Betrieb nehmen, sollten Sie die folgenden Tipps lesen.

Warnung!

Für die ordnungsgemäße Installation muss dieser Kühlschrank auf einer ebenen Fläche aus hartem Material, das in gleicher Höhe wie der Rest des Fußbodens ist, platziert werden. Diese Oberfläche sollte stark genug sein, um einen voll beladenen Kühlschrank zu unterstützen.

Die Rollen, die nicht Lenkrollen sind, sollten nur für Vorwärts- oder Rückwärtsbewegung verwendet werden. Seitliches Verschieben des Kühlschranks könnten die Beschädigung an Boden und Rollen verursachen.

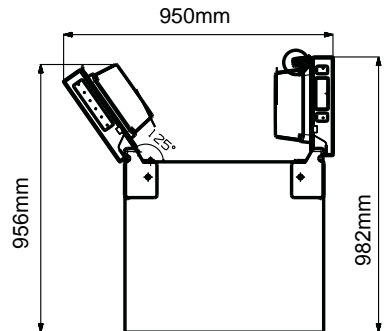
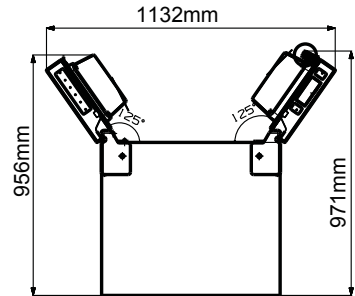
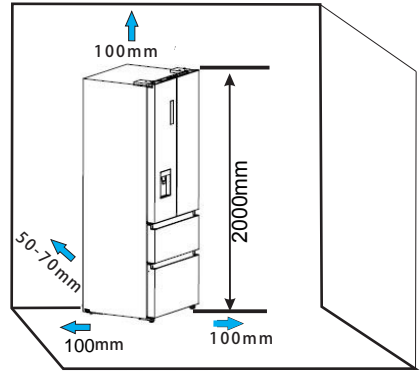


Belüftung des Gerätes

Um die Leistungsfähigkeit des Kühlsystems zu steigern und Energie zu sparen, ist es notwendig, eine gute Belüftung zur Wärmeverteilung um das Gerät herum zu bewahren. Aus diesem Grund sollte genügend Freiraum um den Kühlschrank herum vorhanden sein.

Vorschlag:

Lassen Sie einen Abstand von mindestens 50-70mm von der Geräterückseite bis zur Wand, mindestens 100mm von der Geräteoberseite und mindestens 100mm von Geräteseiten bis zur Wand und einen Freiraum vor dem Gerät, um die Türen in einem Winkel von 130° öffnen zu können. Siehe folgende Abbildungen.



Hinweis:

- Diese Anwendung funktioniert gut von SN bis T
Das Gerät kann nicht richtig funktionieren, wenn es für einen längeren Zeitraum bei einer Temperatur oberhalb oder unterhalb des angegebenen Bereichs bleibt.

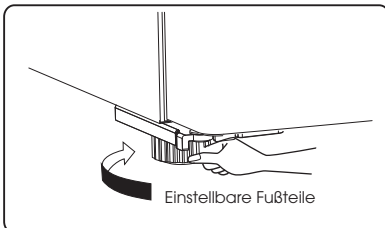
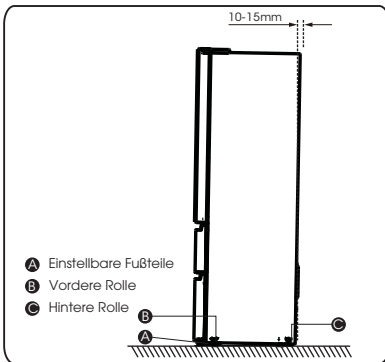
| Klimaklasse | Umgebungstemperatur |
|-------------|---------------------|
| SN | +10°C bis +32°C |
| N | +16°C bis +32°C |
| ST | +16°C bis +38°C |
| T | +16°C bis +43°C |

- Stellen Sie Ihr Gerät an einem trockenen Ort auf und vermeiden Sie hohe Feuchtigkeit.
- Schützen Sie das Gerät vor direkter Sonneneinstrahlung Regen oder Frost. Halten Sie das Gerät von Wärmequellen, wie Öfen, Feuer oder Heizkörpern fern.

Nivellierung des Geräts

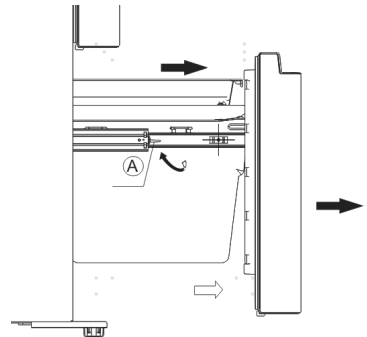
Für einen ausreichenden Ausgleich und zirkulierende Luft in der unteren hinteren Teil des Gerätes können die unteren Füße angepasst werden. Sie können sie manuell von Hand oder mit einem geeigneten Schraubenschlüssel einstellen.

Um das Selbstschließen der Türen zu ermöglichen, neigen Sie den Oberteil nach hinten um ca. 10-15mm.

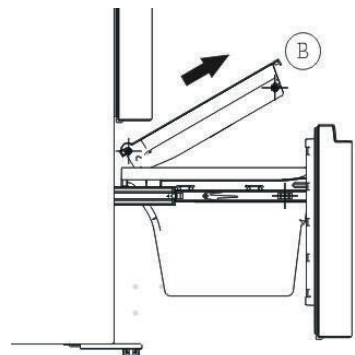


Entnahme der Gefrierschrankschublade

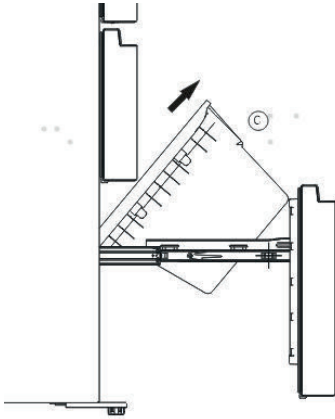
1. Die Ausstattung des Gefrierfachs umfasst eine obere Schublade, eine untere Schublade, zwei Eiswürfelschalen und einen Eisbehälter;
2. Öffnen Sie die Tür des Gefrierschranks; ziehen Sie zunächst den Einstellblock (A) der Führungsschienen aufwärts und ziehen Sie dann die Schublade (A) in der Gefrierschrankschlür zur Endposition vor.



3. Entnehmen Sie die Eiswürfelschale (B), indem Sie diese in Pfeilrichtung anheben.



4. Entnehmen Sie die untere Gefrierteilschublade (C), indem Sie sie nach oben anheben.

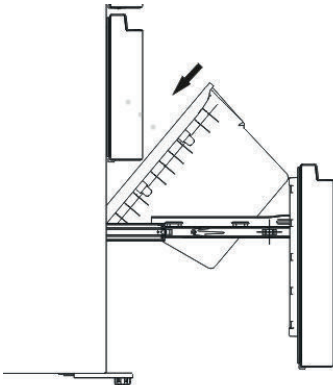


Wiedereinbau der Gefrierschrankschublade

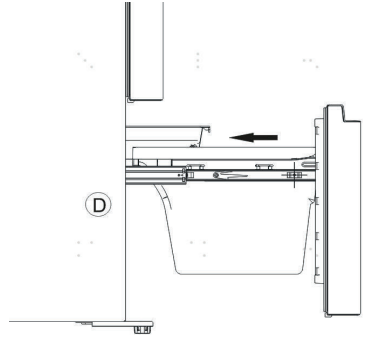
Um die Schublade wieder einzusetzen, nachdem Sie das Gerät an seinen endgültigen Standort gebracht haben, bauen Sie die Teile in umgekehrter Reihenfolge wieder zusammen.

Einsetzen der unteren Schublade

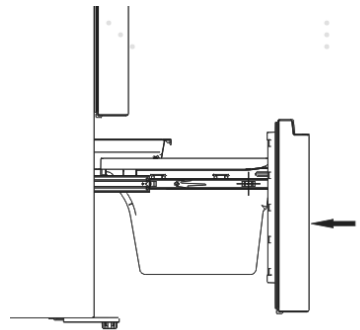
1. Schieben Sie die untere Schublade in Pfeilrichtung in die endgültige Position.



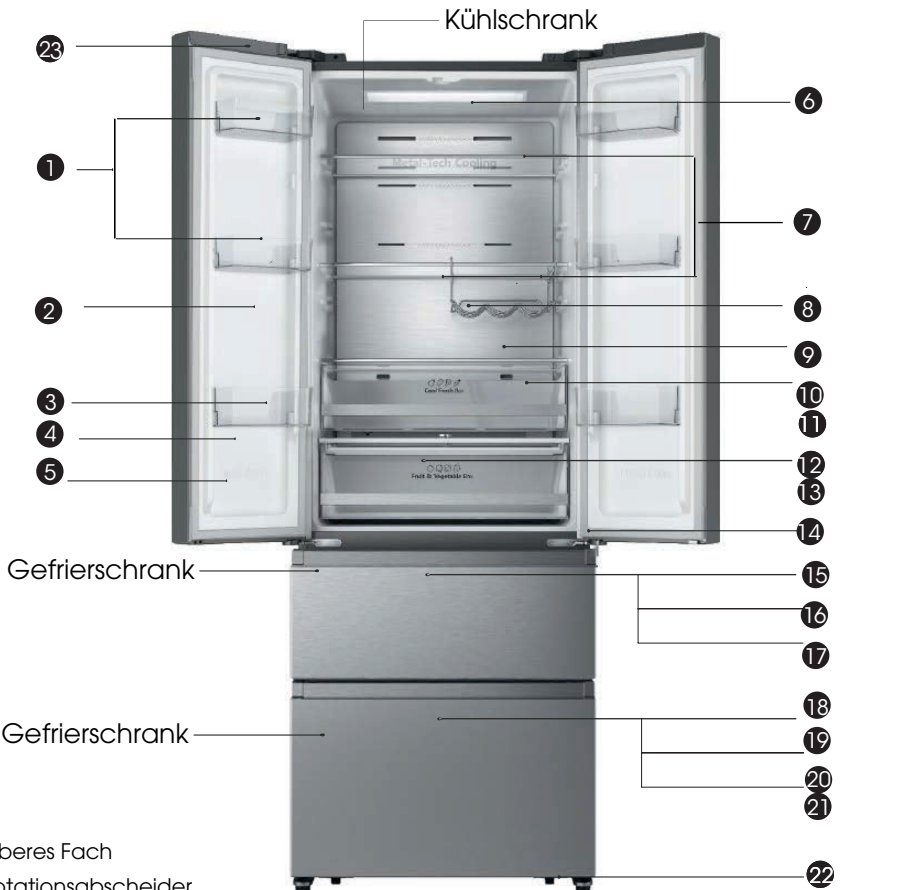
2. Setzen Sie die Eiwürfelschale auf die Schublade und schieben Sie diese vor, so dass die Rollen der Schale auf den Profilen des Gefrierschranksinnenraums (D) aufliegen.



3. Schieben Sie die Gefrierfachtür in Pfeilrichtung und schließen Sie sie.



Beschreibung des Geräts

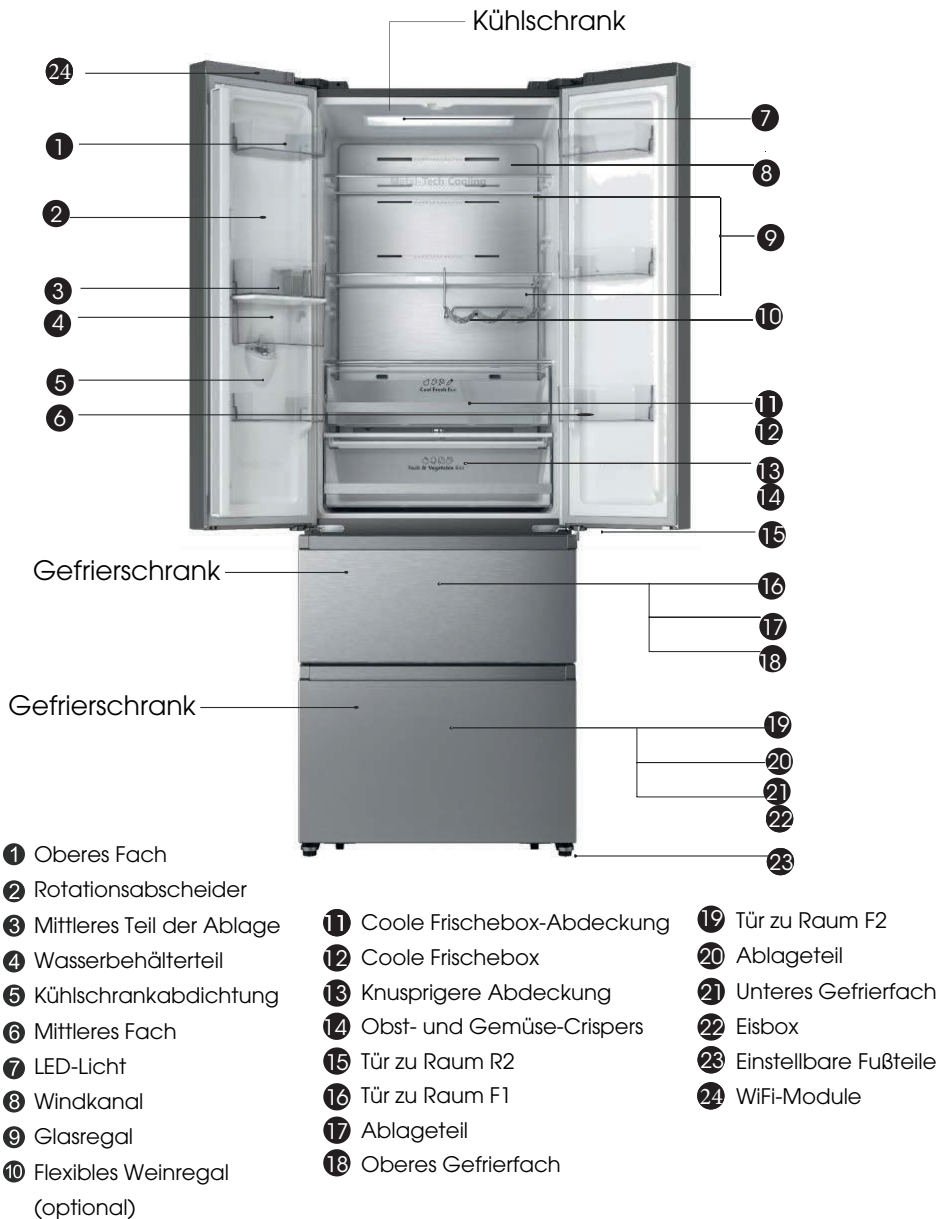


- ① Oberes Fach
- ② Rotationsabscheider
- ③ Mittleres Fach
- ④ Kühlschrankabdichtung
- ⑤ Tür zu Raum R1
- ⑥ LED-Licht
- ⑦ Glasregal
- ⑧ Flexibles Weinregal (optional)
- ⑨ Windkanal
- ⑩ Coole Frischebox-Abdeckung
- ⑪ Coole Frischebox
- ⑫ Knusprigere Abdeckung
- ⑬ Obst- und Gemüse-Crispers
- ⑭ Tür zu Raum R2
- ⑮ Tür zu Raum F1
- ⑯ Ablageteil
- ⑰ Oberes Gefrierfach
- ⑱ Tür zu Raum F2
- ⑲ Ablageteil
- ⑳ Unteres Gefrierfach
- ㉑ Eisbox
- ㉒ Einstellbare Fußteile
- ㉓ WiFi-Module

Hinweis: Ihr Modell könnte auf diesem oder anderen Bildern in dieser Anleitung anders aussehen, abhängig von den Eigenschaften Ihres Modells.

Hinweis: Um die bestmögliche Energieeffizienz dieses Produkts zu erzielen, platzieren Sie bitte alle Regale und Schubladen in ihren vorgesehenen Positionen (siehe Abbildung oben).

Beschreibung des Geräts

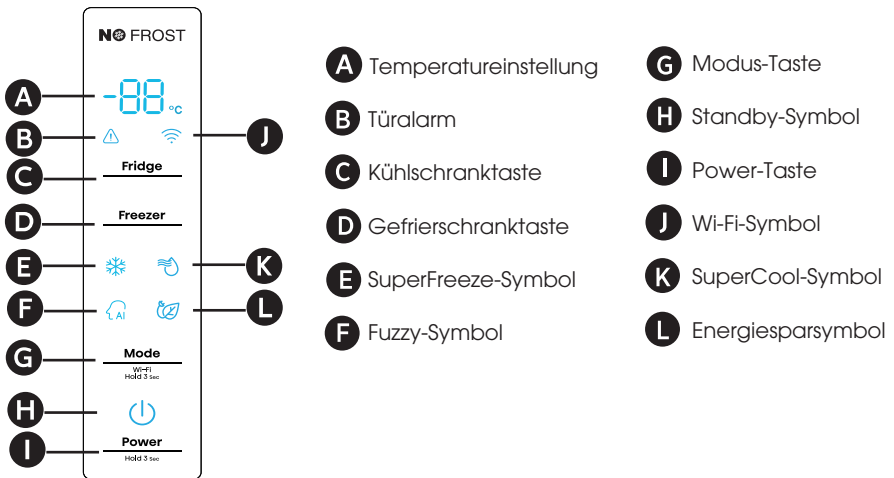


Hinweis: Ihr Modell könnte auf diesem oder anderen Bildern in dieser Anleitung anders aussehen, abhängig von den Eigenschaften Ihres Modells.

Hinweis: Um die bestmögliche Energieeffizienz dieses Produkts zu erzielen, platzieren Sie bitte alle Regale und Schubladen in ihren vorgesehenen Positionen (siehe Abbildung oben).

Schalttafel

Nutzen Sie Ihr Gerät gemäß den folgenden Bedienungsvorschriften. Es verfügt über die entsprechenden Funktionen und Modi, die auf dem Bedienfeld in der Abbildung unten dargestellt sind.



HINWEIS

- Sobald das Gerät eingeschaltet ist, leuchten alle Symbole auf dem Anzeigefeld 3 Sekunden lang auf und es ertönt ein Signalton.
- Alle Symbole erlöschen, sofern alle Schlüssel unberührt bleiben und alle Türen eine Minute lang geschlossen sind.
- Das Kontrollpaneel wird aufleuchten wenn die Kühlschrank Tür geöffnet ist oder Sie eine beliebige Taste drücken.

Vorsicht!

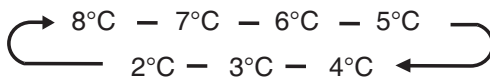
Die Temperatur bezieht sich nur auf die durchschnittliche Temperatur des gesamten Kühlschranks. Die Temperaturen in den einzelnen Fächern können je nach Menge der gelagerten Lebensmittel und dem Standort des Kühlschranks von den auf dem Display angezeigten Werten abweichen. Darüber hinaus ist die tatsächliche Temperatur in einem höheren und einem niedrigeren Raum unterschiedlich.
HINWEIS: Wenn Sie den Kühlschrank auf eine hohe Temperatur einstellen, werden die Lebensmittel schneller verderben. Um die Lebensmittel optimal zu konservieren, empfehlen wir, bei der ersten Inbetriebnahme des Geräts die Temperatur des Kühlschranks auf 4°C einzustellen und die Temperatur des Gefrierschranks auf -18°C.

! Türalarm

Bleibt die Kühlschranktür länger als 2 Minuten geöffnet, wird der Türalarm ausgelöst. Das Symbol „!“ beginnt zu blinken und der Summer ertönt 3 Mal pro Minute. Wenn Sie alle Türen schließen erlischt das Symbol „!“ und das Summen endet. Darüber hinaus wird der Türalarm nach 10 Minuten automatisch beendet.

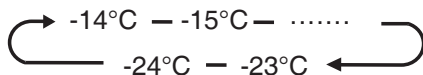
Fridge Kühlschrank-Temperaturregelung

Berühren Sie die Taste „Fridge“, um die Temperatureinstellung des Kühlschranks zu aktivieren. Berühren Sie danach die Taste kontinuierlich, um die Temperatur gemäß der folgenden Reihenfolge einzustellen:



Freezer Gefrierschrank-Temperaturregelung

Berühren Sie die Taste „Freezer“, um die Temperatureinstellung des Gefrierschranks zu aktivieren. Berühren Sie danach die Taste kontinuierlich, um die Temperatur gemäß der folgenden Reihenfolge einzustellen:



Mode Moduseinstellung

Wi-Fi
Hold 3 sec

Bei jedem Druck auf die „Mode“-Taste schaltet der Kühlschrank vom aktuellen Modus um (falls nicht, Start mit Fuzzy) und wechselt abwechselnd zwischen den Modi Fuzzy - Super-Freeze - Super-Cool - Energy Saving - Fuzzy 4. Das entsprechende Symbol leuchtet auf und im Temperaturanzeigebereich wird die entsprechende Solltemperatur angezeigt. Verlassen Sie den entsprechenden Modus nach der Einstellung der Kühl- und Gefriertemperatur.



Fuzzy

Der Kühlschrank arbeitet so, wie es für die Konservierung und Lagerung von Lebensmitteln am vorteilhaftesten ist.

HINWEIS: Im Fuzzy-Modus betragen die Solltemperaturen des Kühlfachs und des Gefrierfachs 4°C bzw. -18°C.



Super Freeze

Verwenden Sie diesen Modus, falls Sie soeben in den Gefrierschrank gelegte Lebensmittel schnell einfrieren wollen.

HINWEIS: Sofern die Gefrierkapazität gemäß Typenschild genutzt werden soll, schalten Sie bitte den SuperFreeze-Modus mindestens 24 Stunden vor dem Zeitpunkt ein, zu dem die frischen Produkte in das Gefrierfach gelegt werden. Im SuperFreeze-Modus beträgt die eingestellte Temperatur des Gefrierfachs -24°C, das Kühlfach arbeitet noch mit der eingestellten Temperatur vor dem Eintritt in den Super Freeze-Modus und wird nach 52 Betriebsstunden automatisch verlassen.



Super Cool

Diesen Modus können Sie dazu verwenden, soeben in den Kühlschrank gelegte Lebensmittel schnell abzukühlen.

HINWEIS: Im Supercool-Modus beträgt die eingestellte Temperatur des Kühlfachs 2°C, und das Gefrierfach arbeitet noch mit der eingestellten Temperatur, bevor es in den Supercool-Modus wechselt, und schaltet sich nach 6 Betriebsstunden automatisch ab.



Energieeinsparung

HINWEIS: Im Energiesparmodus betragen die Solltemperaturen des Kühlfachs und des Gefrierfachs 6°C bzw. -17°C.

Standby

Drücken Sie die „Power“-Taste für 3 Sekunden, um die Standby-Funktion zu aktivieren bzw. zu deaktivieren.

HINWEIS: Wenn der Kühlschrank in die Standby-Funktion wechselt, kühlt er nicht mehr und im Temperatureinstellbereich erscheint „--“.

WiFi-Funktion

Dieses Gerät kann über ein Smartphone oder einen Tablet-Computer ferngesteuert werden. Wenn das Gerät nicht mit dem Heimnetzwerk verbunden ist, funktioniert es wie ein normales Gerät.

Was benötigen Sie zum Anschließen des Geräts?

- Das Signal des lokalen drahtlosen Netzwerks (WiFi) sollte an dem Ort, an dem das Gerät installiert ist, ausreichend stark sein.
- Der Router des Heimnetzwerks muss mit dem Internet verbunden sein, und die WiFi-Funktion des Geräts muss aktiviert sein.
- Das Smartphone/Tablet muss mit dem Internet verbunden sein.
- Das Betriebssystem Ihres Smartphones/Tablet-Computers sollte mit der ConnectLife-App kompatibel sein.

ConnectLife App

Die ConnectLife App kann kostenlos im Apple App Store oder im Google Play Store heruntergeladen werden.



Installation der ConnectLife App

1. Rufen Sie den App Store (auf Apple-Geräten), die App Gallery (auf Huawei-Geräten) oder den Google Play Store (auf Android-Geräten) auf Ihrem Telefon/Tablet-Computer auf.

2. Suchen Sie nach „ConnectLife“.



3. Wählen Sie die ConnectLife-App aus und installieren Sie sie auf Ihrem Smartphone/Tablet-Computer.

INFORMATION!

Wir empfehlen, die mobile App herunterzuladen und zu installieren und ein ConnectLife-Konto zu erstellen, bevor Sie versuchen, die Verbindung mit Ihrem Gerät herzustellen.

ANSCHLUSS DES GERÄTS AN WIFI

Nachdem Sie die WiFi-Funktion aktiviert haben, verbinden Sie Ihr Gerät mit Ihrem Heimrouter, um Ihr Gerät mit der ConnectLife Mobile App zu verbinden.

Schritt 1: Stellen Sie das Gerät auf Normalbetrieb. Berühren Sie das Modus-Symbol für etwa 3 Sekunden. Sie haben das Netzwerkverbindungsmenü aufgerufen, wenn „--“ im Display erscheint.

Schritt 2: Berühren Sie die Kühlschrankschranke und wählen Sie innerhalb von 60 Sekunden „O“.

Schritt 3: Berühren Sie die Modustaste, um den Auswahlmodus zu bestätigen. Das WiFi-Symbol beginnt zu blinken, und das Netzwerk dieses Geräts ist nun 5 Minuten lang für eine Verbindung geöffnet.

Schritt 4: Wenn das WiFi-Symbol leuchtet, bedeutet dies, dass die Wi-Fi-Verbindung erfolgreich hergestellt wurde. Die Anzeige kehrt in den Normalzustand zurück.

GERÄTE KOPPELN (PAIRING)

Das Gerät kann mit Ihrem Mobilgerät gekoppelt werden. Koppeln Sie einfach einen anderen Benutzer mit Ihrem Gerät. Dies setzt voraus, dass Ihr Gerät bereits zuvor eingerichtet wurde und mit Ihrem Heimnetzwerk verbunden ist. Falls nicht, gehen Sie zurück und wählen Sie CONNECTION SETUP.

Schritt 1: Stellen Sie das Gerät auf Normalbetrieb. Berühren Sie die Modustaste etwa 3 Sekunden lang. Sie haben das Netzwerkverbindungsmenü aufgerufen, wenn „--“ im Display erscheint.

Schritt 2: Berühren Sie die Kühlschrankschranke, um innerhalb von 60 Sekunden „P“ auszuwählen.

Schritt 3: Berühren Sie die Modustaste, um den Auswahlmodus zu bestätigen. Das PAIR-Netzwerk dieses Geräts ist nun für 5 Minuten zum Verbinden geöffnet.

Schritt 4: Erscheint die normale Anzeige wieder, so bedeutet dies, dass die PAIR-Verbindung erfolgreich war.

VERBINDUNG ALLER GERÄTEKOPPLUNGEN AUFHEBEN

Wenn Sie diese Funktion aktivieren, wird das Gerät aus allen gekoppelten App-Benutzerkonten entfernt.

Schritt 1: Stellen Sie das Gerät auf Normalbetrieb. Berühren Sie das Modus-Symbol für etwa 3 Sekunden. Sie haben das Netzwerkverbindungsmenü aufgerufen, wenn „--“ im Display erscheint.

Schritt 2: Berühren Sie die Kühlschrankschranke, um innerhalb von 60 Sekunden „88“ auszuwählen.

Schritt 3: Berühren Sie die Modustaste, um den Auswahlmodus zu bestätigen und die Verbindung zu lösen.

Schritt 4: Nachdem das Gerät freigeschaltet wurde, geht es automatisch in den Verteilernetzstatus über, das WiFi-Symbol blinkt, und die Verteilernetzzeit beträgt bis zu 5 Minuten.

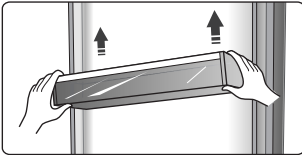


Ihr Gerät verwenden

In Ihrem Gerät ist das Zubehör allgemein als „Beschreibung des Geräts“ aufgeführt. Mit dieser Anleitung können Sie die richtige Verwendung finden. Wir empfehlen Ihnen, diese aufmerksam zu lesen, bevor Sie das Gerät benutzen.

Türregal

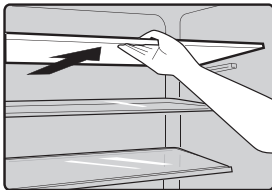
- Es ist geeignet für die Lagerung der Eier, Dosenflüssigkeit, Flaschengetränke und verpackte Lebensmittel usw. Lagern Sie nicht zu viel schwere Dinge im Fach.
- Die Türgestelle können je nach Bedarf in verschiedenen Höhen angebracht werden. Nehmen Sie die Nahrungsmittel bitte aus dem Regal, bevor Sie sie senkrecht anheben, um sie neu zu positionieren.



- Alle Türfächer sind komplett entfernbar zur Reinigung.

Regal im Kühlkammer

- Die Regale in der Kühlkammer können zum Reinigen herausgenommen werden.



Flexibles Weinregal (optional)

- Diese dient der Lagerung von Weinflaschen oder Getränken und kann zu Reinigungszwecken herausgenommen werden.

Hinweis: Stellen Sie den abgefüllten Wein oder die Getränke nicht direkt vor dem Luftauslass auf den Windkanal, wodurch dieser einfrieren könnte.

Coole Frischebox

- In einem bestimmten Modus wird es eine zusätzliche Frischebox (Schublade) geben. In dieser Schublade können Sie eine niedrigere Temperatur erhalten, um fish, Fleisch und andere erodierbare Lebensmittel aufzubewahren. Normalerweise wird sie etwa 1°C niedriger sein als der andere Teil des Frischefachs. In der nachstehenden Tabelle finden Sie einige Empfehlungen, die Sie einsehen können.

| Temp.-Einstellung des Kühlfachs | Art der Nahrung | vorgeschlagene Lagerdauer |
|---------------------------------|--------------------|---------------------------|
| 2 oder 3 oder 4°C | Fisch oder Fleisch | ≤2 Tage |
| 5 oder 6°C | Obst | <2 Wochen |
| 7 oder 8°C | Gemüse | <5 Tage |

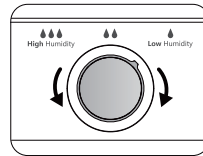
Hinweis: Die tatsächliche Temperatur der Cool fresh box kann niedriger als Null sein, daher ist es normal, dass die Flüssigkeit in dieser Schublade gefroren war.

Obst- und Gemüse-Crispers

- Das Gemüsefach ist für die Lagerung der Früchte und Gemüse verwendet.

Gemüsefach und Luftfeuchtigkeitsregelung

- Sie können den Knopf auf dem Deckel des Gemüsefachdeckels drehen, um unterschiedliche Feuchtigkeit im Gemüsefach zu halten. Wenn Sie den Knopf nach links schieben, halten Sie eine höhere Luftfeuchtigkeit, die Gemüse und Obst lange und frisch lagern kann, nach rechts wird die Luftfeuchtigkeit niedriger sein. Er dient dazu, die Temperatur im Gemüsefach zu kontrollieren und zu verhindern, dass das Gemüse Feuchtigkeit verliert.



Gefrierfachschubladen

- Es wird zur Lagerung von Lebensmitteln verwendet, die eingefroren werden müssen, darunter Fleisch, fish und Eiscreme usw.

Eiswürfelschale

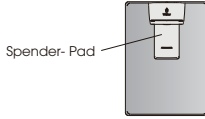
- Es ist wird benutzt, um Eiswürfel herzustellen. Um Eiswürfel herzustellen, füllen Sie bitte Wasser in die Eiswürfelschalen, der maximale Füllstand sollte nicht die obere Linie überschreiten (ideal sind 80% des Volumens der Eiswürfelschale). Platzieren Sie die Eiswürfelschale im Gefrierfach und warten Sie mindestens zwei Stunden, bis sich die Eiswürfel gebildet, nachdem sich die Eiswürfel gebildet haben, verdrehen Sie sanft die Schale, damit sich die Eiswürfel von ihr lösen.



Hinweis: Wird die Eiswürfelschale zum ersten Mal verwendet oder wurde sie lange Zeit nicht benutzt, sollten Sie sie bitte vor Gebrauch gründlich reinigen.

Wasserspender (nur für Geräte mit Spender)

Der Wasserspender, der sich an der Kühlschranktür befindet, ist zum Speichern von Trinkwasser verwendet. Mit diesem Gerät können Sie gekühltes Wasser leicht erhalten, ohne den Kühlschrank zu öffnen. Sie sollten die folgenden Tipps lesen.

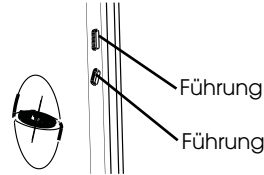
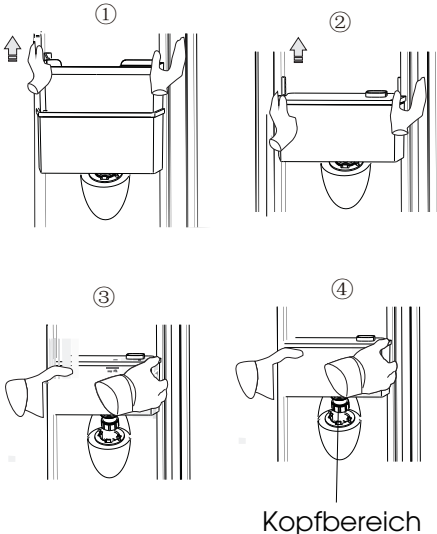


• Vor der Verwendung

- Bevor Sie das Gerät zum ersten Mal benutzen, sollten Sie es wie folgt nutzen.
 1. Halten Sie eine Unterseite des Türregals mit einer Hand, heben Sie die andere Seite mit der anderen Hand an, wenn der Schlitz des Türregals nicht in der Führung ist, wechseln Sie die Hände, um diese Schritte zu wiederholen.
 2. Halten Sie eine Unterseite des Wassertanks mit einer Hand fest, heben Sie die gegenüberliegende Seite mit der anderen Hand an und wiederholen Sie diese Schritte, wenn der Schlitz des Wassertanks nicht mehr in der Führung liegt.
 3. Halten Sie die beiden Seiten des Wassertanks fest, heben Sie sie an und entnehmen Sie so den Wassertank.
 4. Schrauben Sie das Oberteil ab. Reinigen Sie das Oberteil, den Deckel und den Wassertank.

Vorsicht!

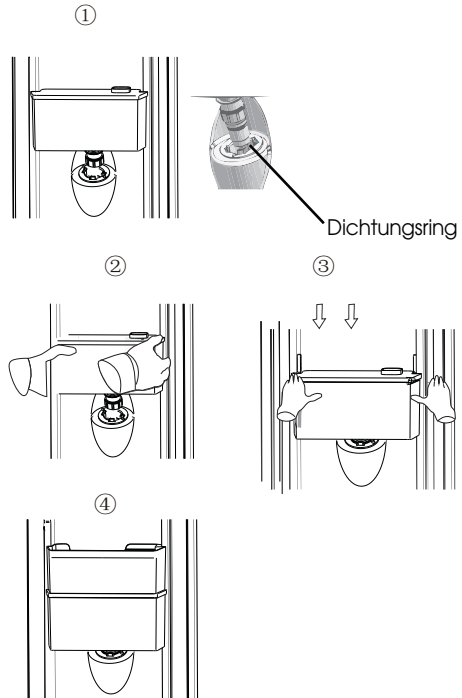
Entleeren Sie den Wassertank, bevor Sie ihn abnehmen, und setzen Sie ihn wieder auf das mittlere Gestell.



• Montage

Nach der Reinigung setzen Sie bitte die Teile einschließlich Oberteil, Wassertank und Deckel wie folgt zusammen:

1. Setzen Sie zuerst den Dichtungsring ein (der Dichtungsring kann sich nicht nach oben drehen), dann setzen Sie das Oberteil in den Hohlraum ein.
2. Halten Sie die beiden Seiten des Wassertanks fest und setzen Sie den Wassertank entlang der Führungen an der Tür wieder ein.
3. Drücken Sie die beiden Seiten des Wassertanks nach unten, wie in der Abbildung gezeigt.
4. Sobald Sie auf beiden Seiten ein Klicken hören, während zugleich die beiden Seiten des Wassertanks mit der Türauskleidung abschließen, ist die Installation abgeschlossen.



• Wasser füllen

Bevor Sie das Trinkwasser in den Wassertank füllen, stellen Sie sicher, dass der Wassertank ruhig und in der korrekten Position ist.

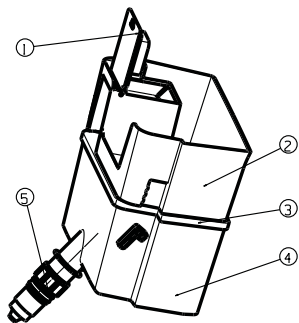
Vorsicht!

Füllen Sie mit Wasser bis zu 2,5L (vorgeschlagen) und nicht über das Niveau.

Andernfalls könnte es bei geschlossenem Deckel zum Überlaufen kommen.

Wir empfehlen Ihnen, das Wasser auf folgende Weise zu füllen.

Öffnen Sie den kleinen Deckel und füllen Sie Wasser aus dem Einlass des mittleren Rahmenteils ein.



- ① Wassereinlassabdeckung
- ② Mittleres Fach
- ③ Abdeckung der Wasserspeicherbox
- ④ Wasserspeicherbox
- ⑤ Kopfbereich

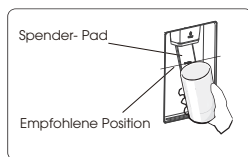
Warnung!

Beim Wasserfüllen berühren Sie keine anderen Teile des Gerätes. Dies kann die Wasserleckage verursachen.

Bitte gießen Sie langsam Wasser ein, sonst läuft das Wasser über.

Wasser erhalten

- Sie sollten die richtigen Tassen verwenden, um Wasser unter dem Wasserspender zu erhalten.



Warnung!

- Schieben Sie nicht die Spenderhebel nach vorne ohne Tasse, dies kann das Wasserleck aus dem Spender verursachen.

| Reihenfolge | Fächer Typ | Zielaufbewahrungstemp.(°C) | Geeignete Lebensmittel |
|-------------|-----------------------|----------------------------|---------------------------------------------------------------------------------------------------------------------------------------------------------------------------------------------------------------------------------------------------------------------------------------------------------|
| 1 | Kühlschrank | +2~+8 | Eier, Fertiggerichte, abgepackte Lebensmittel, Obst und Gemüse, Milchprodukte, Kuchen, Getränke und andere Lebensmittel sind nicht zum Einfrieren geeignet. |
| 2 | (***)*-Gefrierschrank | ≤-18 | Meeresfrüchte (Fisch, Garnelen, Schalentiere), Süßwasserprodukte und Fleischprodukte (empfohlen für 3 Monate, je länger die Lagerzeit, desto schlechter der Geschmack und die Nährstoffe), geeignet für gefrorene frische Lebensmittel. |
| 3 | ***-Gefrierschrank | ≤-18 | Meeresfrüchte (Fisch, Garnelen, Schalentiere), Süßwasserprodukte und Fleischprodukte (empfohlen für 3 Monate, je länger die Lagerzeit, desto schlechter der Geschmack und die Nährstoffe), nicht geeignet für gefrorene frische Lebensmittel. |
| 4 | **Gefrierschrank | ≤-12 | Meeresfrüchte (Fisch, Garnelen, Schalentiere), Süßwasser-Wasserprodukte und Fleischprodukte (empfohlen für 2 Monate, je länger die Lagerzeit, desto schlechter der Geschmack und die Ernährung) sind nicht als gefrorene frische Lebensmittel geeignet. |
| 5 | *-Gefrierschrank | ≤-6 | Meeresfrüchte (Fisch, Garnelen, Schalentiere), Süßwasserprodukte und Fleischprodukte (empfohlen für 1 Monat, längere Lagerzeit verschlechtert den Geschmack und den Nährwert). |
| 6 | 0-Sterne | -6~0 | Frisches Schweinefleisch, Rindfleisch, Fisch, Hühnerfleisch, einige abgepackte verarbeitete Lebensmittel usw. (empfohlen, am selben Tag zu essen, vorzugsweise nicht mehr als 3 Tage). Teilweise eingekapselte, verarbeitete Lebensmittel (nicht einfrierfähige Lebensmittel) |
| 7 | Kühle | -2~+3 | Frisches/gefrorenes Schweinefleisch, Rindfleisch, Hühnchen, Süßwasserprodukte usw. (7 Tage unter 0°C und über 0°C werden für den Verzehr an diesem Tag empfohlen, vorzugsweise nicht mehr als 2 Tage). Meeresfrüchte (weniger als 0°C für 15 Tage, es wird nicht empfohlen, bei über 0°C zu lagern). |
| 8 | Frisches Essen | 0~+4 | Frisches Schweinefleisch, Rindfleisch, Fisch, Hühnchen, gekochtes Essen usw. (empfohlen, am selben Tag zu essen, vorzugsweise nicht mehr als 3 Tage) |
| 9 | Wein | +5~+20 | Rotwein, Weißwein, Sekt usw. |

Hinweis: Bitte lagern Sie unterschiedliche Lebensmittel entsprechend den Fächern oder der Lagertemperatur Ihrer gekauften Produkte.

- Wenn das Kühlgerät längere Zeit leer gelassen wird, schalten Sie das Gerät aus, entfrosten, reinigen, trocknen und lassen Sie die Tür offen, um Schimmelbildung im Gerät zu vermeiden.

Hilfreiche Tipps und Tricks

Energiespartipps

Wir empfehlen Ihnen, die folgenden Tipps zum Energiesparen zu befolgen.

- Vermeiden Sie es, die Tür längere Zeit offen zu halten, um Energie zu sparen.
- Stellen Sie sicher, dass das Gerät entfernt von Wärmequellen ist (Direkte Sonneneinstrahlung, Elektrobackofen oder Herd usw.).
- Stellen Sie die Temperatur nicht kälter als nötig ein.
- Lagern Sie keine warmen Speisen oder dampfende Flüssigkeit im Gerät.
- Stellen Sie das Gerät in einem gut belüfteten und trocknen Raum. Bitte verweisen Sie auf das Kapitel Aufbau Ihres neuen Gerätes.
- Sofern die Abbildung die richtige Anordnung der Schubladen, Gemüsefächer und Ablagen anzeigt, sollten Sie diese Anordnung nicht verstellen, da dies zu einer Veränderung des Energieverbrauchs führen könnte.

Tipps für das Kühlen von frischen Lebensmitteln

- Lagern Sie keine warmen Speisen direkt im Kühlschrank oder Gefrierschrank. Die erhöhte Innentemperatur wird dazu führen, dass der Kompressor härter laufen muss und mehr Energie verbraucht wird.
- Bedecken Sie Lebensmittel oder wickeln Sie sie ein insbesondere wenn Sie stark riechen.
- Platzieren Sie die Lebensmittel so, dass Luft rundherum frei zirkulieren kann.

Tipps für Kühlung

- Fleisch (alle Sorten): Wickeln Sie es in Plastiktüten und stellen Sie es auf die Glasablage über dem Gemüsefach. Befolgen Sie immer die von den Herstellern vorgeschlagenen Lagerzeiten und Haltbarkeitsdaten.
- Gekochte Lebensmittel, kalte Speisen usw.: Sie sollten bedeckt sein und können auf jedem Regal platziert werden.
- Obst und Gemüse: Sie sollten in der dafür vorgesehenen Schublade aufbewahrt werden.
- Butter und Käse: Sie sollten in luftdichter Folie oder Kunststofffolie verpackt werden.

- Milchflaschen:

Sie sollten einen Deckel haben und im Türfach gelagert werden.

Tipps für das Einfrieren

- Bei erster Inbetriebnahme oder nach einer langen Einsatzpause lassen Sie das Gerät mindestens zwei Stunden auf höheren Temperaturen laufen, bevor Sie die Lebensmittel in das Fach legen.
- Verpacken Sie die Lebensmittel in kleine Portionen, damit sie schnell und vollständig aufgetaut werden können und nur die Menge aufgetaut wird, die auch benötigt wird.
- Wickeln Sie das Essen in luftdichter Aluminium- oder Plastikfolie.
- Achten Sie darauf, dass frische noch nicht gefrorene Lebensmittel nicht mit bereits eingefrorenen Lebensmitteln in Berührung kommen, damit die letzteren keinen Temperaturanstieg erleiden.
- Eisprodukte, die unmittelbar nach der Entnahme aus dem Gefrierfach verzehrt werden, verursachen wahrscheinlich Erfrierungen auf der Haut.
- Wir empfehlen Ihnen, die Gefrierpackungen entsprechend mit einem Datum zu kennzeichnen, damit Sie über das Datum des Einfrierens informiert sind.

Tipps zum Lagern von gefrorenen Lebensmitteln

- Darauf achten, dass die eingefrorenen Lebensmittel vom entsprechenden Einzelhändler gelagert wurden.
- Die Lebensmittel, wenn sie einmal aufgetaut sind, nicht wieder einfrieren, denn dann verderben sie schnell. Lagern Sie die Lebensmittel nicht länger als der Hersteller empfiehlt.

Ausschalten Ihres Gerätes

Wenn das Gerät für einen längeren Zeitraum auszuschalten braucht, sollten die folgenden Schritte durchgeführt werden, um die Schimmelbildung auf dem Gerät zu verhindern.

1. Entfernen Sie alle Lebensmittel.
2. Entfernen Sie den Netzstecker aus der Steckdose.
3. Säubern und trocknen Sie das Innere gründlich.
4. Stellen Sie sicher, dass alle Türen wenig geöffnet sind, um eine Luftzirkulation zu ermöglichen.

Reinigung und Pflege

Aus hygienischen Gründen sollte das Gerät (einschließlich Zubehöriteile für Exterieur und Interieur) mindestens alle zwei Monate regelmäßig gereinigt werden).

Warnung!

- Das Gerät sollte während der Reinigung ausgesteckt sein, da die Gefahr eines Stromschlags besteht! Schalten Sie das Gerät vor der Reinigung ab und ziehen Sie den Netzstecker aus der Steckdose.

Außenreinigung

- Sie sollten Ihr Gerät regelmäßig reinigen, um ein gutes Aussehen zu erhalten.
- Reinigen Sie das Bedienfeld mit einem sauberen, weichen Tuch.
- Spritzen Sie kein Wasser direkt auf die Oberfläche des Geräts, sondern auf das Reinigungstuch. Dies kann eine gleichmäßige Verteilung der Feuchtigkeit auf der Oberfläche gewährleisten helfen.
- Reinigen Sie die Türen, Griffe und Gehäuseoberflächen mit einem milden Reinigungsmittel und dann trocknen Sie sie mit einem weichen Tuch.



Vorsicht!

- Verwenden Sie keine scharfen Gegenstände, um ein Verkratzen der Oberfläche zu vermeiden.
- Verwenden Sie keine Verdünnern, Autowaschmittel, Clorox, ätherisches Öl, Scheuermittel oder organischen Lösungsmittel wie Benzol zur Reinigung.

Diese könnten die Oberfläche des Gerätes beschädigen und einen Brand verursachen.

Innenreinigung

- Sie sollten den Innenraum des Gerätes regelmäßig reinigen. Bei geringeren Nahrungsmittelvorräten ist es leichter zu reinigen. Wischen Sie den Innenraum des Kühlschranks mit einer schwachen Natriumhydrogencarbonat-Lösung und dann mit warmem Wasser durch einen ausgewungenen Schwamm oder ein Tuch abspülen. Vor dem Austauschen der Regale und Körbe wischen Sie sie vollständig trocken. Trocknen Sie alle Oberflächen und abnehmbaren Teile gründlich, bevor Sie sie wieder einsetzen.



- Obwohl dieses Gerät automatisch abtauen kann, könnte eine Frostschrift auf der Innenwände des Gefrierfachs auftreten, wenn die Tür des Gefrierfachs häufig geöffnet oder zu lang offen gehalten ist. Wenn die Frostschrift zu dick ist, gehen Sie bei geringern Nahrungsmittelvorräten wie folgt vor:
 1. Entfernen Sie die bestehenden Lebensmittel und Zubehöre Körbe, trennen Sie das Gerät vom Stromnetz und lassen die Türen offen. Lüften Sie den Raum gründlich, um das Auftauen zu beschleunigen.
 2. Beim Abschliessen des Abtauens reinigen Sie Ihr Gefrierfach wie oben beschrieben.

Vorsicht!

- Verwenden Sie keine scharfen Gegenstände zum Entfernen der Frost im Gefrierfach. Erst nachdem der Innenraum vollständig trocken ist, sollte das Gerät wieder eingeschaltet und an die Netzsteckdose angeschlossen werden.

Türdichtungen reinigen

- Achten Sie darauf, die Türdichtungen sauber zu halten. Klebrige Lebensmittel und Getränke könnten zum Festkleben der Dichtungen am Schrank und zum Reißen bei der Türöffnung führen. Waschen Sie die Dichtung mit mildem Reinigungsmittel und warmem Wasser ab. Nach der Reinigung sie gründlich abspülen und trocknen.

Vorsicht!

- Erst wenn die Türdichtungen vollständig trocken sind, darf das Gerät eingeschaltet werden.

Austauschen des LED-Lichts:

Warnung:

- Das LED-Licht sollte durch eine kompetente

Person ersetzt werden! Wenn das LED-Licht beschädigt ist, wenden Sie sich an den Kundendienst. Folgen Sie den folgenden Schritte, um das LED-Licht auszutauschen:

1. Ziehen Sie den Stecker aus der Steckdose.
2. Entfernen Sie die Lichtabdeckung durch Aufhebeln und Herausziehen.
3. Halten Sie die LED-Abdeckung mit einer Hand und ziehen Sie sie mit der anderen Hand, während Sie die Verriegelungslasche drücken.
4. Ersetzen Sie das LED-Licht und lassen Sie es richtig einrasten.

Hinweis: Dieses Produkt enthält eine Lichtquelle der Energieeffizienzklasse <G>.

Wasserspenderreinigung (speziell für Wasserspenderprodukte):

- Reinigen Sie die Wassertanks, wenn sie 48 Stunden lang nicht verwendet wurden; Spülen Sie das an eine Wasserversorgung angeschlossene Wassersystem aus, falls 5 Tage lang kein Wasser entnommen wurde.

Fehlerbehebung

Wenn Sie ein Problem mit Ihrem Gerät haben oder befürchten, dass das Gerät nicht richtig funktioniert, können Sie einige einfache Überprüfungen durchführen, bevor Sie den Kundendienst anrufen. Siehe unten.

Warnung! Versuchen Sie nicht, das Gerät selbst zu reparieren. Wenn das Problem bestehen bleibt, nachdem Sie die folgenden Überprüfungen durchführen, kontaktieren Sie bitte einen qualifizierten Elektriker, Servicetechniker oder das Geschäft, in dem Sie das Produkt gekauft haben.

| Problem: | Mögliche Ursache & Lösung |
|--------------------------------------|---------------------------------------------------------------------------------------------------------------------------------------------------------------------------------------------------------------------------------------------------------------------------------------------------------------------------------------------------------------------------------------------------------------------------------------------------------------------------------------------------------------------------------------------------------------------------------------------------------------------------------------------------------------------------------------------------------------------------------------------------------------|
| Das Gerät funktioniert nicht richtig | <ul style="list-style-type: none"> ➤ Überprüfen Sie, ob das Netzkabel richtig in die Steckdose eingesteckt ist. ➤ Prüfen Sie die Sicherung oder Schaltung Ihrer Stromversorgung und tauschen Sie sie gegebenenfalls aus. ➤ Die Umgebungstemperatur ist zu niedrig. Versuchen Sie, die Kammertemperatur auf ein kälteres Niveau einzustellen, um dieses Problem zu lösen. ➤ Es ist normal, dass der Gefrierschrank während dem automatischen Abtauen oder für eine kurze Zeit nach Einschalten des Gerätes nicht funktioniert, um den Kompressor zu schützen. |
| Gerüche aus den Fächern | <ul style="list-style-type: none"> ➤ Der Innenraum muss gereinigt werden. ➤ Einige Lebensmittel, Behälter oder die Verpackung verursachen die Gerüche. |
| Geräusche aus dem Gerät | <p>Die Geräusche unten sind ganz normal:</p> <ul style="list-style-type: none"> ➤ Laufgeräusche aus dem Kompressor. ➤ Die Luftbewegung führt zu Lärm vom kleinen Motor des Ventilators im Kühlfach oder in anderen Fächern. ➤ Gurgelnde Geräusche ähnlich wie kochendes Wasser. ➤ Knallgeräusche während des automatischen Abtauen. ➤ Klickendes Geräusch vor dem Start des Kompressors. <p>Andere ungewöhnliche Geräusche aufgrund der Gründe unten sollten überprüft und Maßnahme ergriffen werden:</p> <ul style="list-style-type: none"> ➤ Der Schrank nicht nivelliert. ➤ Die Rückseite des Gerätes berührt die Wand. ➤ Flaschen oder Behälter stoßen aneinander an. |
| Der Motor läuft kontinuierlich | <p>Es ist normal, das Geräusch des Motors häufig zu hören. In folgenden Umständen muss es mehr laufen:</p> <ul style="list-style-type: none"> ➤ Die Temperatureinstellung ist kälter als nötig eingestellt. ➤ Große Menge von warmen Speisen ist vor kurzem im Gerät gespeichert. ➤ Die Temperatur außerhalb des Gerätes ist zu hoch. ➤ Die Türen sind zu lange oder zu oft offen gehalten. ➤ Nach der Installation des Gerätes oder es wurde für eine lange Zeit ausgeschaltet. |

| Problem: | Mögliche Ursache & Lösung |
|----------------------------------------------|------------------------------------------------------------------------------------------------------------------------------------------------------------------------------------------------------------------------------------------------------------------------------------------------------------------------------------------------------------------------------------------------------------------------------------|
| Reifschicht im Fach | <ul style="list-style-type: none"> ➤ Überprüfen Sie, dass die Luftauslässe nicht durch die Lebensmittel blockiert sind, und stellen Sie sicher, dass die Lebensmittel innerhalb des Gerätes so angebracht ist, dass eine ausreichende Belüftung ermöglicht ist. Stellen Sie sicher, dass die Tür ganz geschlossen werden kann. Um die Frost zu entfernen, beziehen sich auf bitte das Kapitel Reinigung und Pflege. |
| Die Temperatur im Inneren ist zu warm | <ul style="list-style-type: none"> ➤ Sie können die Türen zu lange oder zu häufig offen gehalten haben; oder die Türen sind durch ein Hindernis offen gehalten; oder das Gerät ist mit unzureichendem Freiraum an den Seiten, hinten und oben gelegt. |
| Die Temperatur im Inneren ist zu kalt | <ul style="list-style-type: none"> ➤ Erhöhen Sie die Temperatur entsprechend dem Kapitel „Schalttafel“. |
| Die Türen lassen sich nicht leicht schließen | <ul style="list-style-type: none"> ➤ Überprüfen Sie, ob die Oberseite des Kühlschranks nach hinten um 10-15mm geneigt ist, um die Türen sich selbst schließen zu lassen, oder ob etwas im Inneren das Schließen der Türen verhindert. |

Entsorgung des Gerätes

Dieses Gerät darf nicht mit dem normalen Hausmüll entsorgt werden.

Verpackungsmaterialien

Die Verpackungsmaterialien mit dem Recycling-Symbol sind recycelbar. Entsorgen Sie die Verpackung in dem dafür vorgesehenen Sammelcontainern.

Vor der Geräteentsorgung

1. Stecken Sie den Hauptstromschalter aus der Steckdose.
2. Trennen Sie das Netzkabel ab und entsorgen Sie es mit dem Netzstecker.

Warnung! Die Kühlschränke enthalten Kältemittel und Gase in der Isolierung. Die Kältemittel und Gase müssen fachgerecht entsorgt werden, da sie zu Augenverletzungen oder Entzündung führen können. Stellen Sie sicher, dass der Schlauch des Kühlkreislaufs vor der ordnungsgemäßen Entsorgung nicht beschädigt ist.

Richtige Entsorgung dieses Produkts



Dieses Symbol auf dem Produkt oder dessen Verpackung weist darauf hin, dass das Produkt nicht mit dem Hausmüll entsorgt werden kann. Vielmehr muss es zu den dafür vorgesehenen Sammelcontainern für das Recycling elektrischer und elektronischer Geräte gebracht werden. Indem Sie sicherstellen dass Sie das Produkt korrekt entsorgen, beugen Sie potentiellen negativen Auswirkungen für Umwelt und die Gesundheit der Menschen vor, die durch eine nicht ordnungsgemäße Entsorgung dieses Produkt entstehen könnten. Für weitere detaillierten Informationen über das Recycling des Produkts erhalten Sie bitte bei Ihrer Gemeindeverwaltung, bei den Entsorgungsdienstleistern für Haushaltsabfälle oder dem Händler, bei dem Sie das Produkt gekauft haben.

Hisense

life reimagined

MANUEL D'UTILISATION DE L'UTILISATEUR

Avant de faire fonctionner cet appareil, veuillez lire attentivement ce manuel et le conserver pour référence ultérieure

FR

Français

Contenu

| | |
|--------------------------------------------------------------|----|
| Informations relatives à la sécurité et l'avertissement..... | 3 |
| Installation de votre nouvel appareil..... | 12 |
| Description de l'appareil..... | 15 |
| Panneau de commande..... | 17 |
| Utilisation de votre appareil..... | 21 |
| Conseils et astuces utiles..... | 25 |
| Nettoyage et entretien..... | 26 |
| Dépannage..... | 28 |
| Mise au rebut de l'appareil..... | 29 |

Votre sécurité et celle des autres sont très importantes.

Nous avons fourni de nombreux messages de sécurité importants dans ce manuel et sur votre appareil. Lisez et respectez toujours tous les messages de sécurité.



C'est le symbole d'alerte de sécurité.

Ce symbole vous avertit des dangers potentiels qui peuvent causer la mort ou des blessures à vous et aux autres. Tous les messages de sécurité suivront le symbole d'alerte de sécurité et le mot « DANGER » « AVERTISSEMENT » ou « ATTENTION ».

Ces mots signifient :

DANGER

Une situation dangereuse imminente. Vous pouvez être tué ou gravement blessé si vous ne suivez pas immédiatement les instructions.

AVERTISSEMENT

Une situation potentiellement dangereuse qui, si elle n'est pas évitée, pourrait entraîner la mort ou des graves blessures corporelles.

ATTENTION

Une situation potentiellement dangereuse qui, si elle n'est pas évitée, peut entraîner des blessures modérées ou mineures.

Tous les messages de sécurité vous indiqueront quel est le risque potentiel, comment réduire la probabilité de blessure, et ce qui peut se produire si les instructions ne sont pas respectées.



Informations relatives à la sécurité et l'avertissement

Pour votre sécurité et une utilisation correcte, avant d'installer et d'utiliser l'appareil pour la première fois, lisez attentivement ce manuel de l'utilisateur, y compris les conseils et avertissements. Afin d'éviter les accidents et les erreurs inutiles, il est important de vous assurer que toutes les personnes utilisant l'appareil sont complètement familiarisées avec ses caractéristiques de fonctionnement et de sécurité. Conservez ces instructions et assurez-vous qu'elles restent avec l'appareil si ce dernier est déplacé ou vendu, de sorte que toute personne l'utilisant tout au long de sa durée de vie soit informée de ses consignes d'utilisation et de sécurité.

Pour assurer la sécurité de la vie et des biens, gardez les précautions de ces instructions de l'utilisateur, car le fabricant n'est pas responsable des dommages dus aux omissions.

Sécurité des enfants et des autres personnes vulnérables

➤ Conforme à la norme EN

Cet appareil peut être utilisé par des enfants âgés de 8 ans ou plus, ainsi que par des personnes ayant des capacités physiques, sensorielles ou mentales réduites, ou un manque d'expérience et de connaissances, à condition qu'ils aient reçu une surveillance ou des instructions concernant l'utilisation de l'appareil de manière sûre et compris les risques impliqués. Les enfants ne doivent pas jouer avec l'appareil. Le nettoyage et l'entretien par l'utilisateur ne doivent pas être effectués par les enfants sans surveillance. Les enfants âgés de 3 à 8 ans sont autorisés à charger et décharger les appareils de réfrigération.

➤ Conforme à la norme IEC

Cet appareil n'est pas prévu pour être utilisé par des personnes (y compris des enfants) avec des capacités physiques, sensorielles ou mentales réduites, ou un manque d'expérience et de connaissances, à moins qu'elles n'aient reçu une surveillance ou des instructions concernant l'utilisation de l'appareil d'une personne responsable de leur sécurité.

- Les enfants doivent être surveillés pour s'assurer qu'ils ne jouent pas avec l'appareil.
- Conservez tous les emballages hors de portée des enfants, car il existe un risque de suffocation.
- Si vous voulez jeter de cet appareil, débranchez la fiche de la prise, coupez le câble de connexion (aussi proche que possible de l'appareil) et retirez la porte pour éviter les enfants de subir un choc électrique ou de se fermer à l'intérieur lorsqu'ils jouent avec l'appareil.
- Si cet appareil, comportant des joints de porte magnétiques, est utilisé pour remplacer un appareil plus ancien ayant un verrou à ressort (loquet) sur la porte ou le couvercle, assurez-vous de rendre le verrou à ressort inutilisable avant de jeter l'ancien appareil. Cela l'empêchera de devenir un piège mortel pour des enfants.



Sécurité générale

- AVERTISSEMENT — Cet appareil est destiné à être utilisé dans des applications domestiques et similaires telles que
-les zones de cuisine du personnel dans les boutiques, les bureaux et les autres environnements de travail ;
-les maisons de ferme et par les clients dans les hôtels, les motels et les autres environnements de type résidentiel ;
-les environnements de type lit et petit-déjeuner ;
-la restauration et les applications non commerciales similaires.
- AVERTISSEMENT — Ne conservez pas de substances explosives comme les canettes d'aérosol contenant un propergol inflammable à l'intérieur de l'appareil.
- AVERTISSEMENT — Si le cordon d'alimentation est endommagé, il doit être remplacé par le fabricant, l'un de ses agents ou une personne qualifiée similaire afin d'éviter tout danger.
- AVERTISSEMENT — Gardez les ouvertures de ventilation, dans le boîtier de l'appareil ou la structure intégrée, à l'écart de toute obstruction.
- AVERTISSEMENT — N'utilisez pas de dispositifs mécaniques ou d'autres moyens pour accélérer le processus de dégivrage, autre que ceux recommandés par le fabricant.
- AVERTISSEMENT — N'endommagez pas le circuit de réfrigérant.
- AVERTISSEMENT — N'utilisez pas d'appareils électriques à l'intérieur des compartiments de stockage des aliments de l'appareil sauf s'ils sont recommandés par le fabricant.
- AVERTISSEMENT — Le réfrigérant et le gaz de soufflage de l'isolation sont inflammables. Si vous voulez mettre cet appareil en rebut, ne le confiez qu'à un centre de traitement des déchets le plus proche. Ne l'explotez pas à la flamme.
- AVERTISSEMENT — Lors du positionnement de l'appareil, assurez-vous que le cordon d'alimentation n'est pas coincé ni endommagé.

- AVERTISSEMENT — Ne placez pas plusieurs prises portables ou alimentations électriques portables à l'arrière de l'appareil.
- AVERTISSEMENT — Les aliments doivent être emballés dans des sacs avant d'être stockés dans le réfrigérateur, et les liquides doivent être emballés dans des bouteilles ou des récipients fermés pour éviter que la structure de conception du produit ne soit pas facile à nettoyer.



Le symbole constitue un avertissement et indique que le réfrigérant et le gaz de soufflage de l'isolant sont inflammables.

Avertissement : Risque d'incendie/matériaux inflammables

Remplacement des lampes d'éclairage

- AVERTISSEMENT — Les lampes d'éclairage ne doivent pas être remplacées par l'utilisateur ! Si les lampes d'éclairage sont endommagées, appelez le service à la clientèle pour assistance. Cet avertissement est uniquement pour les réfrigérateurs qui contiennent des lampes d'éclairage.

Réfrigérant

Le réfrigérant isobutène (R600a) est contenu dans le circuit de réfrigérant de l'appareil. C'est un gaz naturel avec un haut niveau de compatibilité à l'environnement, mais inflammable. Pendant le transport et l'installation de l'appareil, veillez à ce qu'aucun des composants du circuit de réfrigérant ne soit abîmé.

Le réfrigérant (R600a) est inflammable.

- AVERTISSEMENT — Les réfrigérateurs contiennent des réfrigérants et des gaz dans l'isolation. Le réfrigérant et les gaz doivent être éliminés de manière professionnelle, car ils peuvent provoquer des lésions oculaires ou l'ignition. Assurez-vous que le tuyau de réfrigérant n'est pas endommagé avant de l'éliminer correctement.



AVERTISSEMENT : risque d'incendie

Si le circuit de réfrigérant devait être endommagé :

- Évitez d'activer les flammes et les sources d'inflammation.
- Ventilez complètement la salle dans laquelle se trouve l'appareil.

Il est dangereux de modifier les spécifications ou ce produit de quelque manière que ce soit.

Tout dommage au cordon d'alimentation peut provoquer un court-circuit, un incendie et/ou un choc électrique.



Sécurité électrique

- Le cordon d'alimentation ne doit pas être rallongé.
- Assurez-vous que la fiche d'alimentation n'est pas écrasée ni endommagée. Une fiche d'alimentation écrasée ou endommagée peut surchauffer et provoquer un incendie.
- Assurez-vous de pouvoir accéder à la fiche d'alimentation de l'appareil.
- Ne tirez pas sur le câble d'alimentation.
- Si la prise de courant est desserrée, n'y insérez pas la fiche. Il y a un risque de choc électrique ou d'incendie.
- Vous ne devez pas faire fonctionner l'appareil sans le couvercle de la lampe d'éclairage intérieur.
- Le réfrigérateur doit être alimenté uniquement par un courant alternatif monophasé de 220~240V/50Hz. Si la fluctuation de tension dans le district de l'utilisateur est si grande que la tension dépasse la plage ci-dessus, par souci de sécurité, assurez-vous d'appliquer un régulateur automatique CA plus de 350W pour le réfrigérateur. Le réfrigérateur doit utiliser une prise de courant spéciale au lieu d'une prise commune avec d'autres appareils électriques. Sa fiche doit correspondre à la prise avec un fil de mise à la terre.

Utilisation quotidienne

- Ne stockez pas de gaz ni de liquides inflammables dans l'appareil. Il existe un risque d'explosion.
- Ne faites pas fonctionner un appareil électrique quelconque dans l'appareil (par ex. les machines à glaces, les mélangeurs, etc.).
- Lors du débranchement, retirez toujours la fiche de la prise de courant, ne tirez pas sur le câble.
- Ne placez pas d'éléments chauds près des composants en plastique de l'appareil.
- Ne placez pas de produits d'alimentation directement contre la sortie d'air sur le mur arrière.
- Stockez les aliments congelés pré-emballés en respectant les consignes du fabricant d'aliments congelés.
- Les recommandations de conservation du fabricant de l'appareil doivent être strictement respectées. Référez-vous aux instructions de conservation correspondantes.
- Ne placez pas de boissons gazeuses ou mousseuses dans le compartiment de congélation, car cela crée une pression sur le récipient, ce qui pourrait entraîner son explosion et endommager l'appareil.
- Les aliments congelés peuvent causer des gelures s'ils sont consommés directement lorsqu'ils sont sortis du compartiment congélateur.
- Ne laissez pas l'appareil exposé directement à la lumière du soleil.
- Gardez les bougies, lampes et autres objets avec des flammes nues éloignés de l'appareil pour ne pas mettre l'appareil en feu.
- L'appareil est destiné à conserver des aliments/des boissons dans le cadre d'une consommation domestique, comme expliqué dans le manuel d'instructions. L'appareil est lourd. Faites attention lorsque vous le déplacez.

- Ne retirez pas ni ne touchez les éléments du compartiment congélateur si vos mains sont mouillées/humides, car cela pourrait provoquer des abrasions cutanées ou des gelures dues au givre/congélateur.
- N'utilisez jamais la base, les tiroirs, les portes, etc. pour vous tenir debout ou comme supports.
- Les aliments congelés ne doivent pas être recongelés une fois qu'ils ont été décongelés.
- Ne consommez pas de bâtons de glace ou de glaçons directement lorsqu'ils sont sortis du congélateur, car cela peut causer des gelures à la bouche et aux lèvres.
- Pour éviter que des objets ne tombent ni ne causent des blessures ou des dommages à l'appareil, ne surchargez pas les balconnets ni ne mettez trop d'aliments dans les tiroirs du bac à légumes.
- Cet appareil de réfrigération n'est pas destiné à être utilisé comme un appareil intégré.



Attention !

Entretien et nettoyage

- Avant d'effectuer l'entretien, éteignez l'appareil et débranchez la fiche d'alimentation de la prise de courant.
- Ne nettoyez pas l'appareil avec des objets métalliques, un nettoyeur à vapeur, des huiles essentielles, des solvants organiques ou des nettoyeurs abrasifs.
- N'utilisez pas d'objets tranchants pour enlever le givre de l'appareil. Utilisez un grattoir en plastique.

Installation importante !

- Pour une connexion électrique avec précaution, suivez les instructions données dans le manuel.
- Déballez l'appareil et vérifiez s'il est endommagé. Ne branchez pas l'appareil s'il est endommagé. Rapportez les dommages éventuels immédiatement au magasin où vous avez acheté l'appareil. Dans ce cas, conservez l'emballage.

- Il est conseillé d'attendre au moins quatre heures avant de brancher l'appareil pour permettre à l'huile de refluer dans le compresseur.
- Une circulation d'air adéquate doit être assurée autour de l'appareil, sans quoi cela conduit à une surchauffe. Pour une ventilation adéquate, veuillez suivre les instructions relatives à l'installation.
- Dans la mesure du possible, l'arrière du produit ne doit pas être trop près d'un mur pour éviter de toucher ou de coincer des pièces chaudes (compresseur, condensateur) afin d'empêcher les risques d'incendie, suivez les instructions relatives à l'installation.
- L'appareil ne doit pas être placé près de radiateurs ou de cuisinières.
- Assurez-vous que la fiche d'alimentation est accessible après l'installation de l'appareil.

Maintenance

- Tous les travaux électriques nécessaires à la maintenance de l'appareil doivent être effectués par un électricien qualifié ou une personne compétente.
- Ce produit doit être maintenu par un centre de service agréé, et seules des pièces de rechange authentiques doivent être utilisées.
 1. Si l'appareil est Sans Givre.
 2. Si l'appareil contient un compartiment congélateur.

Pour éviter la contamination des aliments, veuillez respecter les instructions suivantes

- L'ouverture de la porte pendant de longues périodes peut provoquer une augmentation significative de la température dans les compartiments de l'appareil.
- Nettoyez régulièrement les surfaces qui peuvent entrer en contact avec les aliments et les systèmes de drainage accessibles.
- Conservez la viande et le poisson crus dans des contenants appropriés au réfrigérateur, de sorte qu'ils ne soient pas en contact avec d'autres aliments ou qu'ils ne s'égouttent pas sur d'autres aliments.
- Les compartiments d'aliments surgelés de deux étoiles sont adaptés pour conserver des aliments pré-congelés, conserver ou préparer de la crème glacée et des glaçons.
- Les compartiments d'une, deux et trois étoiles ne sont pas adaptés pour congeler les aliments frais.

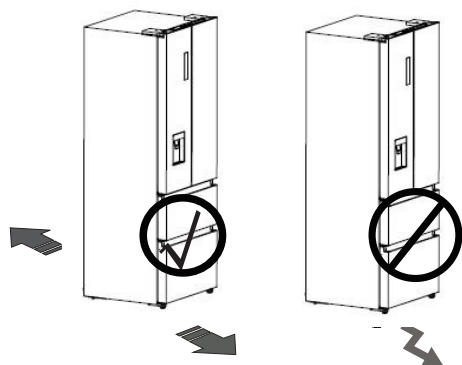
Installation de votre nouvel appareil

Avant l'utilisation de l'appareil pour la première fois, vous devez être informé des conseils suivants.

Avertissement !

Pour une installation appropriée, ce réfrigérateur doit être placé sur une surface plane de matériau dur au ras du reste du plancher. Ladite surface doit être assez solide pour supporter le poids d'un réfrigérateur complètement chargé.

Les rouleaux qui ne sont pas roulettes, ne doivent être utilisés que pour les mouvements vers l'avant ou l'arrière. Le déplacement latéral du réfrigérateur pourrait endommager votre plancher et les rouleaux.

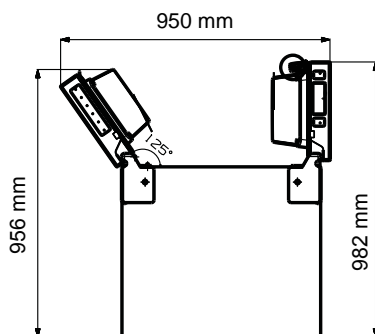
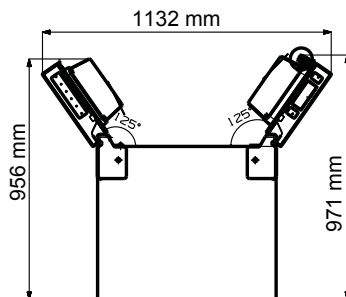
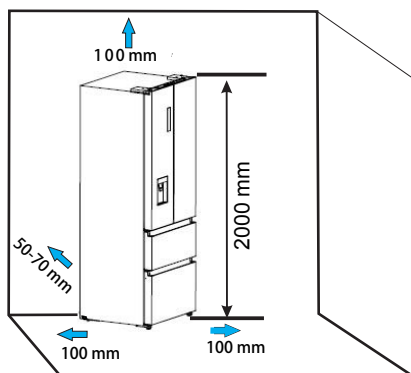


Ventilation de l'appareil

Afin d'améliorer l'efficacité du système de refroidissement et d'économiser de l'énergie, il est nécessaire de maintenir une bonne ventilation autour de l'appareil pour la dissipation de la chaleur. Pour cette raison, un espace libre suffisant doit être disponible autour du réfrigérateur.

Suggestion :

Il est conseillé de réserver un espace de 50-70 mm de l'arrière au mur, d'au moins 100 mm du haut, d'au moins 100 mm de son côté au mur et un espace libre à l'avant pour permettre aux portes de s'ouvrir à 130°. Comme illustré dans les schémas ci-dessous.



Remarque :

- Cet appareil fonctionne correctement de SN à T. L'appareil peut ne pas fonctionner normalement s'il est longtemps exposé à une température au-dehors de la plage indiquée.

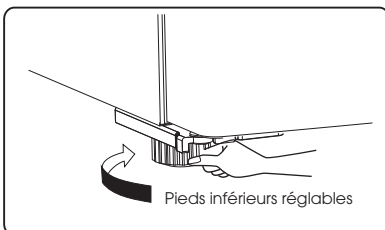
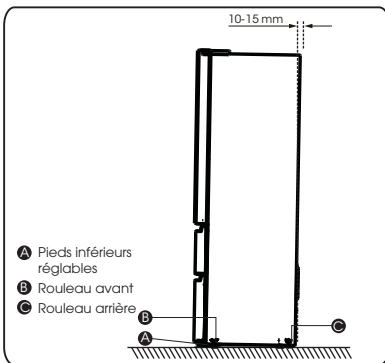
| Classe climatique | Température ambiante |
|-------------------|----------------------|
| SN | +10°C à +32°C |
| N | +16°C à +32°C |
| ST | +16°C à +38°C |
| T | +16°C à +43°C |

- Placez votre appareil dans un endroit sec pour éviter une humidité élevée.
- Gardez l'appareil à l'abri de la lumière directe du soleil de la pluie et du gel. Placez l'appareil éloigné des sources de chaleur telle que les pôles, les feux ou les chauffages.

Mise à niveau de l'appareil

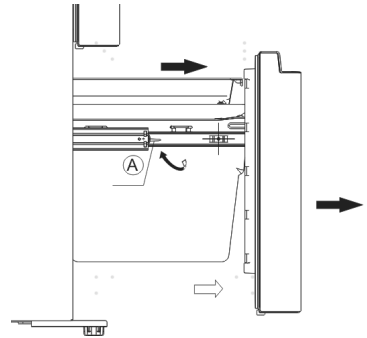
Pour assurer une mise à niveau et une circulation d'air suffisantes dans la partie arrière basse de l'appareil, les pieds inférieurs peuvent nécessiter d'être ajustés. Vous pouvez les ajuster manuellement à la main ou en utilisant une clé appropriée.

Pour permettre aux portes de se fermer automatiquement, inclinez le dessus vers l'arrière de 10-15 mm.

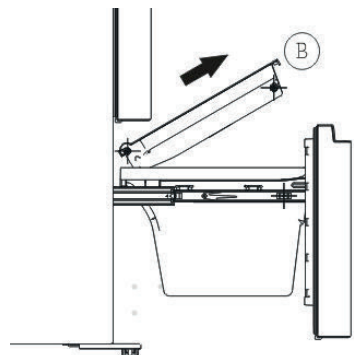


Démontage du tiroir du congélateur

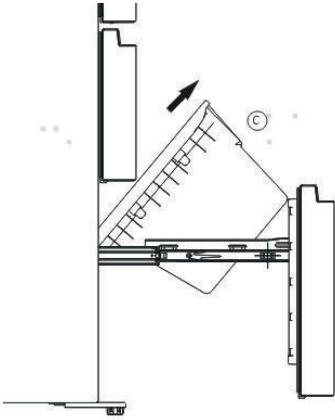
1. Le compartiment congélateur est fourni avec un tiroir supérieur, un tiroir inférieur, deux bacs et une boîte à glaces ;
2. Ouvrir la porte du congélateur ; tirez le bloc de réglage (A) des glissières vers le haut, et retirez le tiroir de la porte du congélateur (A) de la position finale.



3. Sortez le plateau (B) en le soulevant dans le sens de la flèche.



4. Retirez le tiroir inférieur du congélateur (C) en le soulevant.

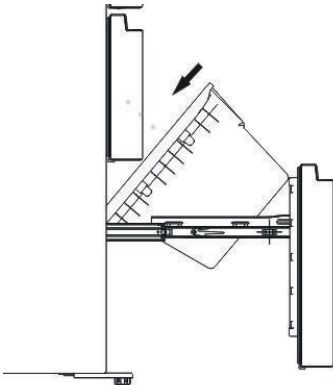


Ré-assemblage du tiroir du congélateur

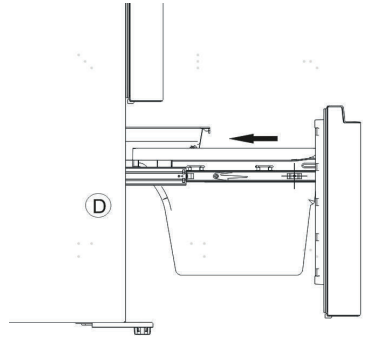
Pour rattacher le tiroir après que l'appareil a été déplacé à sa place finale, assemblez les pièces dans l'ordre inverse.

Installation du tiroir inférieur

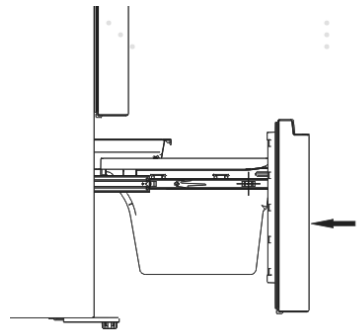
1. Poussez le tiroir inférieur vers le bas jusqu'à la position finale dans le sens de la flèche.



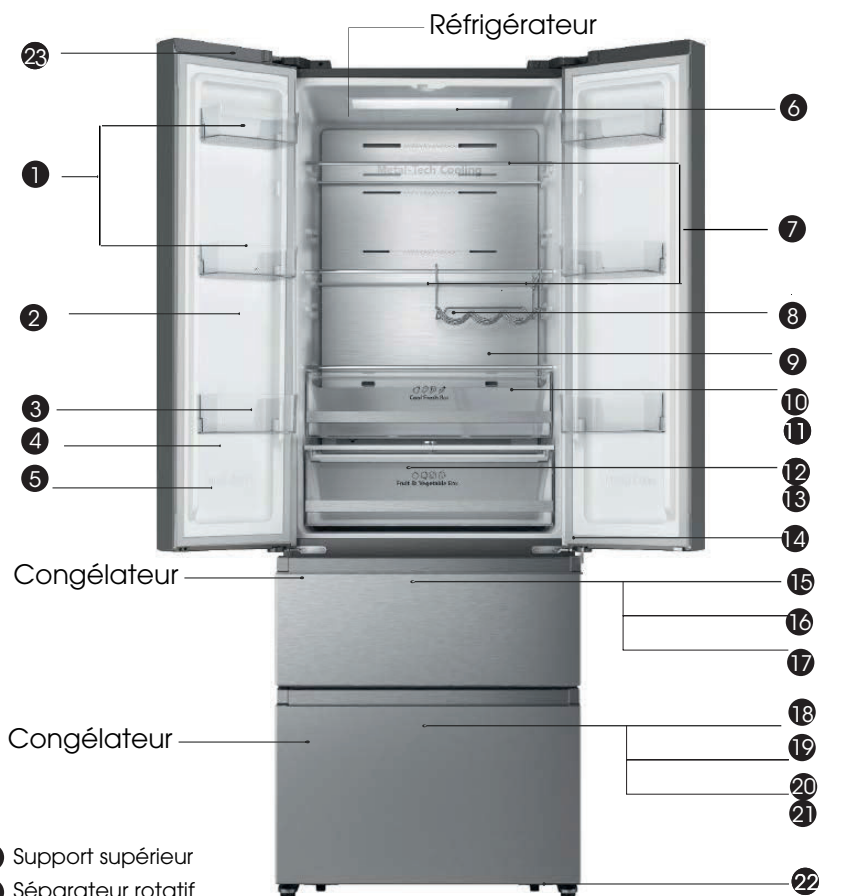
2. Mettre le plateau sur le tiroir et poussez-le en veillant que les roulettes du plateau soient sur les filets de la doublure (D) du congélateur.



3. Pousser la porte du congélateur le long de la flèche et la fermer.



Description de l'appareil

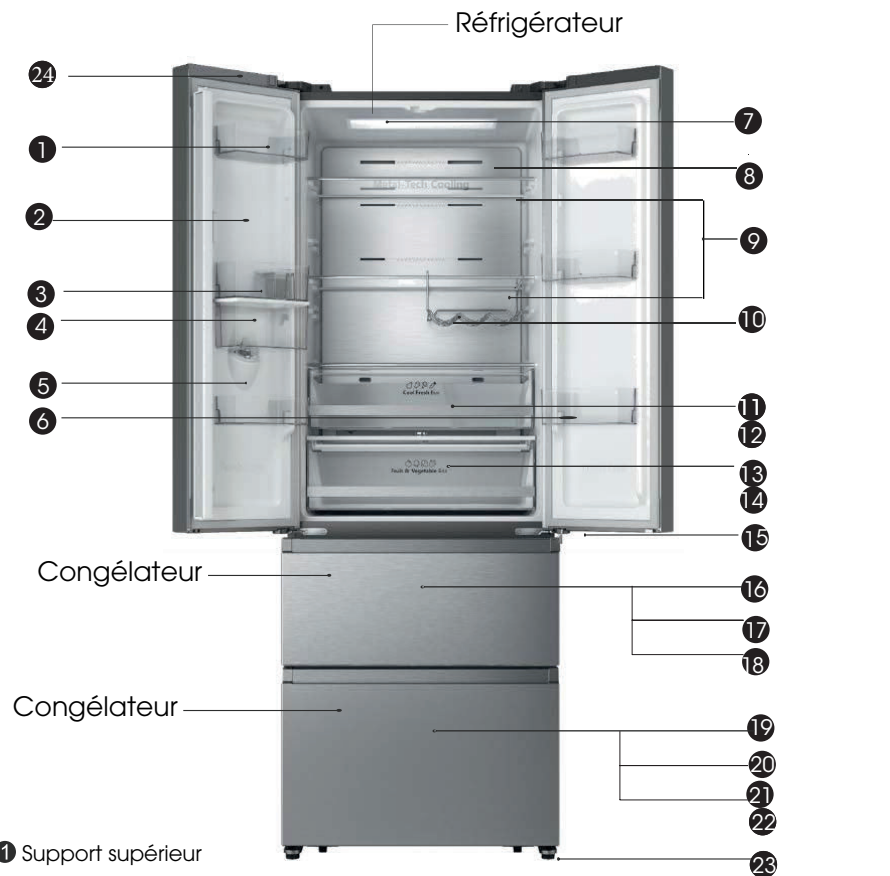


- | | | |
|--------------------------------------------------------|-----------------------------------|-----------------------------------|
| ① Support supérieur | ⑪ Bac à aliments frais | ⑱ Porte du compartiment F2 |
| ② Séparateur rotatif | ⑫ Couvercle du bac à légumes | ⑲ Partie de plateau |
| ③ Support central | ⑬ Bac à fruits & légumes | ⑳ Tiroir inférieur du congélateur |
| ④ Joint du réfrigérateur | ⑭ Porte du compartiment R2 | ㉑ Boîte à glaçons |
| ⑤ Porte du compartiment R1 | ⑮ Porte du compartiment F1 | ㉒ Pieds inférieurs réglables |
| ⑥ Lampe DEL | ⑯ Partie de plateau | ㉓ Module Wi-Fi |
| ⑦ Étagère en verre | ⑰ Tiroir supérieur du congélateur | |
| ⑧ Support à vin flexible (optionnel) | | |
| ⑨ Canal de vent | | |
| ⑩ Couvercle de la boîte de conversation à l'état frais | | |

Remarque : Votre modèle peut avoir un aspect différent de celui-ci et d'autres images dans ce manuel, selon les caractéristiques de votre modèle.

Remarque : Pour obtenir le meilleur rendement énergétique de ce produit, veuillez placer toutes les étagères, paniers à leur position d'origine comme indiqué sur l'illustration ci-dessus.

Description de l'appareil



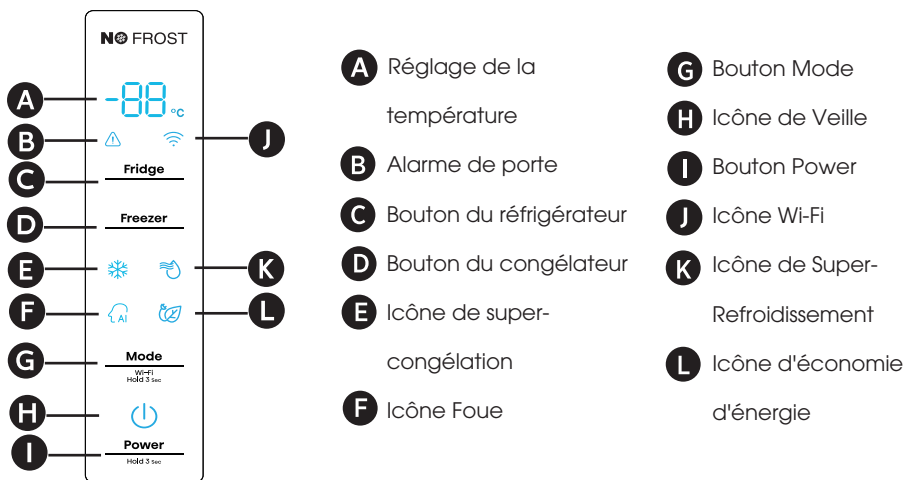
- | | | |
|-----------------------------------|--------------------------------------------------------|-----------------------------------|
| ① Support supérieur | ⑪ Couvercle de la boîte de conversation à l'état frais | ⑱ Porte du compartiment F2 |
| ② Séparateur rotatif | ⑫ Bac à aliments frais | ⑳ Partie de plateau |
| ③ Partie de support centrale | ⑬ Couvercle du bac à légumes | ㉑ Tiroir inférieur du congélateur |
| ④ Partie du bac de stockage d'eau | ⑭ Bac à fruits & légumes | ㉒ Boîte à glaçons |
| ⑤ Joint du réfrigérateur | ⑮ Porte du compartiment R2 | ㉓ Pieds inférieurs réglables |
| ⑥ Support central | ⑯ Porte du compartiment F1 | ㉔ Module Wi-Fi |
| ⑦ Lampe DEL | ⑰ Partie de plateau | |
| ⑧ Canal de vent | ⑲ Tiroir supérieur du congélateur | |
| ⑨ Étagère en verre (optionnel) | | |

Remarque : Votre modèle peut avoir un aspect différent de celui-ci et d'autres images dans ce manuel, selon les caractéristiques de votre modèle.

Remarque : Pour obtenir le meilleur rendement énergétique de ce produit, veuillez placer toutes les étagères, paniers à leur position d'origine comme indiqué sur l'illustration ci-dessus.

Panneau de commande

Utilisez votre appareil selon les règlements de contrôle suivants, votre appareil possède les fonctions et les modes correspondants comme affichés sur les panneaux de commande dans les figures ci-dessous.



REMARQUE



- Une fois que l'appareil est mis sous tension, toutes les icônes sur le panneau d'affichage seront allumées pendant 3 secondes avec un avertissement sonore.
- Toutes les icônes s'éteindront si aucune touche n'est pas enfoncée et que toutes les portes sont fermées pendant une minute.
- Le panneau de commande s'allumera lorsque la porte du réfrigérateur est ouverte ou que vous appuyez sur une touche.

Attention !

La température indique uniquement la température moyenne de l'ensemble du cabinet réfrigérateur. Les températures à l'intérieur de chaque compartiment peuvent varier de celles affichées sur le panneau, selon la quantité d'aliments conservés et l'emplacement où le réfrigérateur se trouve. De plus, la température réelle de la pièce supérieure et de la pièce inférieure sera différente.

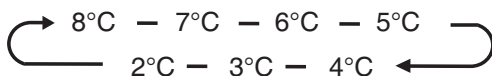
REMARQUE : Le fait de faire fonctionner le réfrigérateur à une température élevée accélère la décomposition des aliments. Pour une conservation optimale des aliments, nous recommandons, lorsque vous démarrez votre réfrigérateur pour la première fois, de régler la température du réfrigérateur à 4 °C et celle du congélateur à -18 °C.

Alarme de Porte

L'ouverture de la porte du réfrigérateur pendant plus de 2 minutes déclenchera l'alarme de porte. L'icône «  » commence à clignoter et l'avertisseur sonore retentit 3 fois par minute. En fermant toutes les portes, l'icône «  » s'éteindra et l'avertissement sonore s'arrêtera. De plus, l'alarme de porte s'arrêtera automatiquement après 10 minutes.

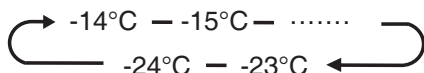
Fridge Réglage de la température du réfrigérateur

Appuyez sur la touche « Fridge » pour activer la fonction de réglage de la température du réfrigérateur. Après cela, appuyez continuellement sur la touche pour régler la température dans la séquence suivante :



Freezer Réglage de la température du congélateur

Appuyez sur la touche « Freezer » pour activer la fonction de réglage de la température du congélateur. Après cela, appuyez continuellement sur la touche pour régler la température dans la séquence suivante :



Mode Réglage du mode

Wi-Fi
Hold 3 Sec

Chaque fois que vous appuyez sur le bouton « Mode », le mode du réfrigérateur sera commuté à partir du mode en cours (sinon, à partir du mode Fuzzy), et basculera tour à tour entre 4 modes, à savoir Foue - Super-congélation - Super-refroidissement - Économie de l'énergie - Foue, l'icône correspondante s'allumera et la zone d'affichage de la température affichera la température réglée correspondante. Désactivez le mode correspondant lorsque vous réglez la température de réfrigération et de congélation.

Floue

Le réfrigérateur fonctionne de la manière la plus favorable à la conversion et au stockage des alimentations.

REMARQUE : En mode Foue, les températures du compartiment réfrigérateur et du compartiment congélateur sont réglées respectivement à 4 °C et -18 °C.

Super-congélation

Utilisez ce mode lorsque vous voulez congeler rapidement des aliments qui viennent d'être mis dans le congélateur.

REMARQUE : Si la capacité de congélation indiquée sur la plaque signalétique est adoptée, basculez au mode Super-congélation au moins 24 heures avant de placer des produits frais dans le compartiment congélateur. En mode Super-congélation, la température du compartiment congélateur est réglée à -24 °C, le compartiment réfrigérateur fonctionne toujours à la température réglée avant d'entrer dans le mode Super-congélation, et quitte ce mode automatiquement au bout de 52 heures de fonctionnement.

Super-refroidissement

Ce mode peut être utilisé lorsque vous voulez refroidir rapidement des aliments mis dans le réfrigérateur.

REMARQUE : En mode Super-refroidissement, la température du compartiment réfrigérateur est réglée à 2 °C, le compartiment congélateur fonctionne toujours à la température réglée avant d'entrer dans le mode Super-refroidissement, et quitte ce mode automatiquement au bout de 6 heures de fonctionnement.

Économie d'énergie

REMARQUE : En mode Économie d'énergie, les températures du compartiment réfrigérateur et du compartiment congélateur sont réglées respectivement à 6 °C et -17 °C.

Veille

Appuyez sur le bouton « Power » et maintenez-le enfoncé pendant 3 secondes pour entrer dans/quitter le mode veille.

REMARQUE : Lorsque le réfrigérateur entre dans le mode veille, le réfrigérateur arrêtera de refroidir et la zone de réglage de la température affichera « -- ».

Fonction Wi-Fi

Cet appareil peut être contrôlé à distance par un téléphone intelligent ou une tablette. Si l'appareil n'est pas connecté au réseau domestique, il fonctionnera comme un appareil ordinaire.

De quoi avez-vous besoin pour connecter l'appareil ?

- Le signal du réseau local sans fil (Wi-Fi) doit être suffisamment puissant à l'endroit où l'appareil est installé.
- Le routeur du réseau domestique doit être connecté à Internet et la fonction Wi-Fi de l'appareil doit être activée.
- Le téléphone intelligent/la tablette doit être connecté(e) à Internet.
- Le système d'exploitation de votre téléphone intelligent/tablette doit être compatible avec l'application Connect Life.

Application ConnectLife

L'application ConnectLife peut être téléchargée gratuitement depuis l'App Store d'Apple ou le Google Play Store.



Installation de l'application ConnectLife

1. Accédez à l'App Store (sur les appareils Apple), l'App Gallery (sur les appareils Huawei) ou le Google Play Store (sur les appareils Android) sur votre téléphone/tablette.

2. Recherchez « ConnectLife ».



3. Choisissez l'application ConnectLife et installez-la sur votre téléphone intelligent/tablette.

INFORMATION !

Nous vous recommandons de télécharger et d'installer l'application mobile et de créer un compte ConnectLife avant d'essayer d'établir la connexion avec votre appareil.

CONNECTER L'APPAREIL AU WIFI

Une fois la fonction Wi-Fi activée, connectez votre appareil à votre routeur domestique afin de connecter votre appareil avec l'application mobile ConnectLife.

Étape 1 : Réglez l'appareil en mode de fonctionnement normal. Appuyez sur la touche Mode pendant environ 3 secondes. Vous avez accédé au menu de connexion réseau lorsque « -- » s'affiche à l'écran.

Étape 2 : Appuyez sur la touche Fridge pour sélectionner « O » dans les 60 secondes.

Étape 3 : Appuyez sur la touche Mode pour confirmer le mode de sélection. Le symbole Wi-Fi commence à clignoter et le réseau de cet appareil est maintenant ouvert à la connexion pendant 5 minutes.

Étape 4 : Lorsque le symbole Wi-Fi est allumé, cela signifie que la connexion Wi-Fi a réussi. L'affichage reviendra à la normale.

APPAIRAGE DE L'APPAREIL

L'appareil peut être apparié avec votre appareil mobile. Il suffit d'appairer un autre utilisateur à votre appareil. Cela nécessite que votre appareil ait déjà été configuré à l'avance et est connecté à votre réseau domestique. Si ce n'est pas le cas, retournez et sélectionnez CONFIGURATION DE CONNEXION.

Étape 1 : Réglez l'appareil en mode de fonctionnement normal. Appuyez sur la touche Mode pendant environ 3 secondes. Vous avez accédé au menu de connexion réseau lorsque « -- » s'affiche à l'écran.

Étape 2 : Appuyez sur la touche Fridge pour sélectionner « P » dans les 60 secondes.

Étape 3 : Appuyez sur la touche Mode pour confirmer le mode de sélection. Le réseau APPARIÉ de l'appareil est maintenant ouvert à la connexion pendant 5 minutes.

Étape 4 : Lorsque l'affichage revient à la normale, cela signifie que la connexion d'APPARIEMENT est réussie.

DÉCONNEXION DE TOUS LES APPAREILS APPARIÉS

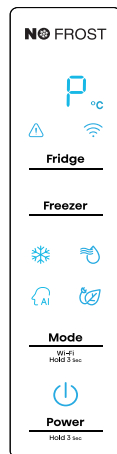
Par l'activation de cette fonction, cet appareil sera déconnecté de tous les comptes utilisateurs des appareils appariés.

Étape 1 : Réglez l'appareil en mode de fonctionnement normal. Appuyez sur la touche Mode pendant environ 3 secondes. Vous avez accédé au menu de connexion réseau lorsque « -- » s'affiche à l'écran.

Étape 2 : Appuyez sur la touche Fridge pour sélectionner « 88 » dans les 60 secondes.

Étape 3 : Appuyez sur la touche Mode pour confirmer le mode de sélection afin de réaliser la déconnexion.

Étape 4 : Une fois que l'appareil est déconnecté, il entrera automatiquement dans l'état de réseau de distribution, l'icône Wi-Fi clignote et la durée du réseau de distribution est jusqu'à 5 minutes.

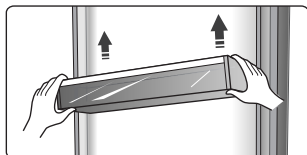


Utilisation de votre appareil

Votre appareil dispose des accessoires comme le montre la « Description de l'appareil » en général, avec quelle partie des instructions vous pouvez les utiliser correctement. Nous vous recommandons de les lire attentivement avant d'utiliser l'appareil.

Balconnet

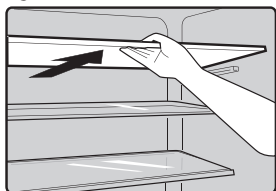
- Il est adapté à la conservation des œufs, des liquides en conserve, des aliments emballés etc. Ne placez pas d'objets trop lourds dans les balconnets.
- Les balconnets peuvent être placés à différentes hauteurs selon vos besoins. Veuillez retirer les aliments de l'étagère avant de la soulever verticalement pour la repositionner.



- Tous les balconnets sont entièrement amovibles pour le nettoyage.

Étagère dans le compartiment réfrigérateur

- Les étagères dans le compartiment réfrigérateur peuvent être sorties pour le nettoyage.



Support à vin flexible (optionnel)

- Il convient à la conservation des vins ou boissons en bouteille, et il peut être retiré pour le nettoyage.

Remarque : Ne placez pas de bouteilles de vin ou de boisson directement devant la sortie d'air du circuit d'aération, ce qui peut les geler.

Bac à aliments frais

- Dans certains modes, il y aura un bac (tiroir) supplémentaire pour les aliments frais. Dans ce tiroir, vous pouvez obtenir une température plus basse pour conserver le poisson, la viande et d'autres aliments érodables.

Il est normal que la température est inférieure d'environ 1 °C à celle des autres parties du compartiment frais. Il y a quelques recommandations dans le tableau ci-dessous que vous pouvez consulter.

| réglage de la température du compartiment réfrigérateur | type d'aliment | période de conservation recommandée |
|---------------------------------------------------------|-------------------|-------------------------------------|
| 2 à 3 à 4 °C | poisson ou viande | ≤2 jours |
| 5 à 6 °C | fruit | <2 semaines |
| 7 à 8 °C | légumes | <5 jours |

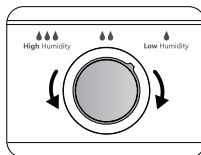
Remarque : La température réelle de la boîte à aliments frais peut être inférieure à zéro, donc il est normal que les liquides dans le tiroir sont gelés.

Bac à fruits & légumes

- Le bac est adapté à la conservation des fruits et légumes, etc.

Bac à légumes et contrôle de la température

- Vous pouvez tourner la molette sur le couvercle du bac à légumes pour maintenir un taux d'humidité différent dans le bac à légumes. En tournant la molette vers la gauche, vous pouvez maintenir un taux d'humidité plus élevé qui permet de stocker des légumes et des fruits plus longtemps et plus frais, tandis que vers la droite, un taux d'humidité plus faible. Il est utilisé pour contrôler la température du bac à légumes et à éviter la perte de l'humidité des légumes.



Tiroir du congélateur

- Il est utilisé pour conserver les aliments qui doivent être congelés, notamment la viande, le poisson, la crème glacée, etc.

bac à glaçons

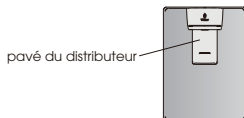
- Il est utilisé pour fabriquer des glaçons. Pour fabriquer des glaçons, veuillez remplir de l'eau dans les bacs à glaçons en veillant à ce que le niveau d'eau ne dépasse pas la limite supérieure (idéalement quatre-vingt pour cent du volume du bac à glaçons). Placez le bac dans le compartiment congélateur et attendez au moins deux heures pour que les glaçons se forment. Une fois les glaçons formés, tournez doucement le bac pour séparer les glaçons et le bac.



Remarque : Si le bac à glaçons est utilisé pour la première fois ou n'a pas été utilisé pendant une longue période, veuillez le nettoyer avant l'utilisation.

Distributeur d'eau (uniquement pour les appareils dotés d'un distributeur)

Le distributeur d'eau, situé dans la porte du réfrigérateur, est utilisé pour stocker l'eau potable. Cet appareil vous permet d'obtenir de l'eau fraîche facilement sans ouvrir le réfrigérateur. Vous devez prendre connaissance des conseils suivants.

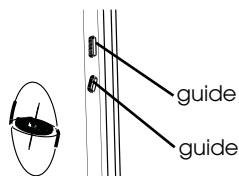
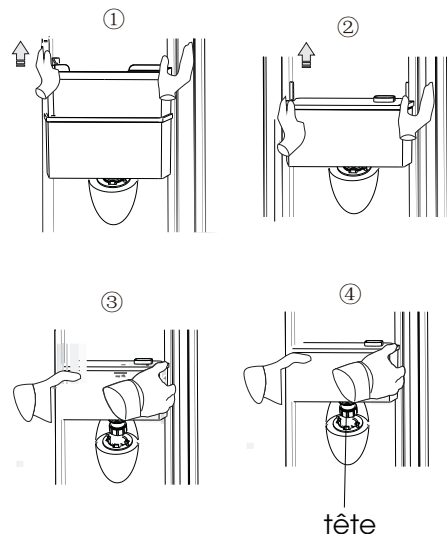


• Avant l'utilisation

- Avant d'utiliser cet appareil pour la première fois, vous devez procéder comme suit.
 1. Tenez un côté inférieur du balconnet d'une main, soulevez le côté opposé de l'autre main et, lorsque la fente du balconnet se dégage du guide, changez de mains pour repérer ces étapes.
 2. Tenez un côté inférieur du balconnet d'une main, soulevez le côté opposé de l'autre main et, lorsque la fente du balconnet se dégage du guide, changez de mains pour repérer ces étapes.
 3. Tenez fermement les deux côtés du réservoir d'eau, soulevez-le vers le haut et sortez-le.
 4. Dévissez la tête, puis nettoyez la tête, les couvercles et le réservoir d'eau.

Attention !

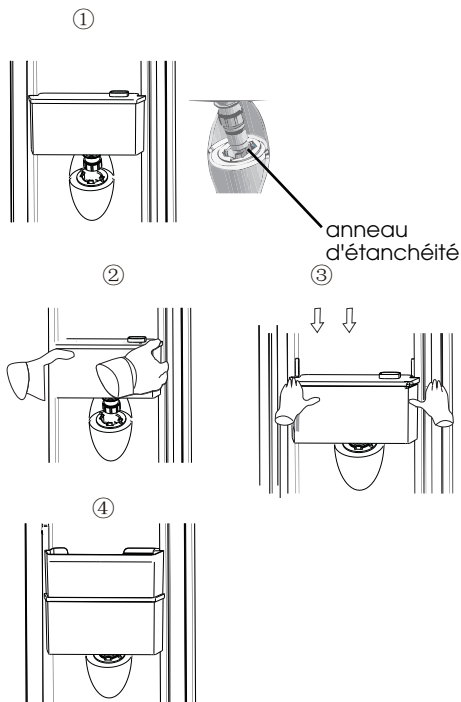
Videz le réservoir d'eau avant de le retirer, puis remettez le support central en place.



• Assemblage

Après le nettoyage, veuillez rassembler les pièces, y compris la tête, le réservoir d'eau et les couvercles comme suit :

1. Mettez d'abord l'anneau d'étanchéité dans l'ordre (l'anneau d'étanchéité ne peut pas remonter), puis insérez la tête dans le trou.
2. Tenez fermement les deux côtés du réservoir d'eau, ajustez le réservoir d'eau le long des guides de la porte.
3. Poussez les deux côtés du réservoir d'eau vers le bas comme indiqué dans la figure.
4. Lorsque vous entendez des clics des deux côtés et que les deux côtés du réservoir d'eau sont tous fermés à la doublure de la porte, cela signifie que l'installation est terminée.



• Remplissage de l'eau

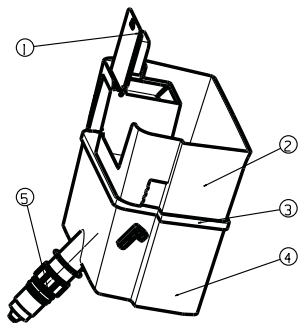
Avant de remplir l'eau potable dans le réservoir d'eau, assurez-vous que le réservoir d'eau est stable et dans une position correcte.

Attention !

Remplissez le réservoir de l'eau jusqu'à 2,5 L (recommandé) sans dépasser cette limite.

Sinon, il risque de provoquer un débordement lorsque le couvercle est fermé.

Nous vous recommandons de remplir l'eau d'une des manières suivantes. Ouvrez le petit couvercle et remplissez l'eau par l'entrée du support central.



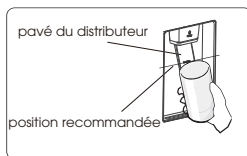
- ① couvercle de l'entrée d'eau
- ② support central
- ③ couvercle du bac de stockage d'eau
- ④ bac de stockage d'eau
- ⑤ tête

Avertissement !

Ne touchez pas d'autres pièces de l'appareil lors du remplissage de l'eau, sinon il pourrait provoquer une fuite d'eau. Veuillez verser l'eau lentement, sinon l'eau débordera.

Réception de l'eau

- Vous devez utiliser une tasse appropriée pour recevoir l'eau sous le distributeur d'eau.



Avertissement !

- Ne poussez pas le levier du distributeur vers l'avant sans tasse, cela pourrait provoquer une fuite d'eau du distributeur.

| No. | Type de compartiments | Température de conservation cible (°C) | Aliments appropriés |
|-----|------------------------|----------------------------------------|-------------------------------------------------------------------------------------------------------------------------------------------------------------------------------------------------------------------------------------------------------------------------------------------------------------------------------------------|
| 1 | Réfrigérateur | +2~+8 | Œufs, aliments cuits, aliments emballés, fruits et légumes, produits laitiers, gâteaux, boissons et autres aliments qui ne conviennent pas à la congélation. |
| 2 | (***)*- Congélateur | ≤-18 | Fruits de mer (poissons, crevettes, crustacés), produits aquatiques d'eau douce et produits carnés (recommandés pour 3 mois, plus la durée de conservation est longue, moins le goût et la nutrition sont bons), adaptés aux aliments frais surgelés. |
| 3 | ***-Congélateur | ≤-18 | Fruits de mer (poissons, crevettes, crustacés), produits aquatiques d'eau douce et produits carnés (recommandés pour 3 mois, plus la durée de conservation est longue, moins le goût et la nutrition sont bons), ne pas adaptés aux aliments frais congelés. |
| 4 | ** -Congélateur | ≤-12 | Fruits de mer (poissons, crevettes, crustacés), produits aquatiques d'eau douce et produits carnés (recommandés pour 2 mois, plus la durée de conservation est longue, moins le goût et la nutrition sont bons), ne pas adaptés aux aliments frais congelés. |
| 5 | *-Congélateur | ≤-6 | Fruits de mer (poissons, crevettes, crustacés), produits aquatiques d'eau douce et produits carnés (recommandés pour 1 mois, plus la durée de conservation est longue, moins le goût et la nutrition sont bons). |
| 6 | 0 étoile | -6~0 | Porc frais, bœuf, poisson, poulet, certains aliments emballés, etc. (recommandé de le consommer dans la même journée, de préférence pas plus de 3 jours). Aliments transformés partiellement encapsulés (aliments non congelables) |
| 7 | Refroidissement | -2~+3 | Porc frais/congelé, bœuf, poulet, produits aquatiques d'eau douce, etc. (7 jours au-dessous de 0 °C et au-dessus de 0 °C est recommandé pour la consommation dans la même journée, de préférence pas plus de 2 jours). Fruits de mer (au-dessous de 0 °C pendant 15 jours, il n'est pas recommandé de les conserver au-dessus de 0 °C) |
| 8 | Aliments frais | 0~+4 | Porc frais, bœuf, poisson, poulet, aliments cuits, etc. (Recommandé pour les consommer dans la même journée, de préférence pas plus de 3 jours). |
| 9 | Vin | +5~+20 | vin rouge, vin blanc, vin mousseux etc. |

Remarque : veuillez conserver différents aliments en fonction des compartiments ou de la température de stockage cible de vos produits achetés.

- Si l'appareil de réfrigération est laissé vide pendant de longues périodes, éteignez-le, dégivrez-le, nettoyez-le, séchez-le et laissez la porte ouverte pour éviter le développement de moisissures dans l'appareil.

Conseils et astuces utiles

Conseils pour économiser de l'énergie

Nous vous recommandons de suivre les conseils ci-dessous pour économiser de l'énergie.

- Essayez de ne pas laisser la porte ouverte pendant de longues périodes afin d'économiser de l'énergie.
- Assurez-vous de maintenir l'appareil à l'écart de toute source de chaleur (Lumière directe du soleil, four électrique ou cuisinière, etc.)
- Ne réglez pas la température plus basse que nécessaire.
- Ne conservez pas d'aliments chauds ou de liquide qui s'évapore dans l'appareil.
- Placez l'appareil dans une pièce bien ventilée et exempte d'humidité. Référez-vous le chapitre - Installation de votre nouvel appareil.
- Si le schéma montre la combinaison correcte pour les tiroirs, le bac à légumes et les étagères, n'ajustez pas la combinaison car elle est conçue pour être la configuration en énergie la plus efficace.

Conseils pour la réfrigération des aliments frais

- Ne placez pas d'aliments chauds directement dans le réfrigérateur ou le congélateur, car l'augmentation de la température interne obligera le compresseur à fonctionner plus intensivement et à consommer plus d'énergie.
- Couvrez ou enrobez les aliments, en particulier s'ils ont une forte odeur.
- Placez les aliments correctement pour que l'air circule librement autour d'eux.

Conseils pour la réfrigération

- Viande (Tous les Types) Enrobez les aliments dans un polyéthylène : enrobez-les et placez-les sur l'étagère en verre au-dessus du tiroir à légumes. Respectez toujours les durées de stockage des aliments et les dates d'utilisation suggérées par les producteurs.
- Aliments cuits, plats froids, etc. : Ils devraient être couverts et peuvent être placés sur n'importe quelle étagère.
- Fruit et légumes : Ils doivent être stockés dans le tiroir spécial prévu à cet effet.
- Beurre et fromage :

Ils doivent être emballés dans une feuille hermétique ou un film plastique.

- Bouteilles de lait :

Elles doivent avoir un couvercle et être stockées dans les étagères de porte.

Conseils pour la congélation

- Lors de la première mise en marche ou après une période hors service, laissez l'appareil fonctionner pendant au moins 2 heures avec les réglages les plus élevés avant de mettre des aliments dans le compartiment.
- Préparez les aliments en petites portions pour qu'ils puissent être rapidement et complètement congelés et qu'ils ne soient possibles d'être décongelés ultérieurement que la quantité requise.
- Enrobez les aliments dans du papier d'aluminium ou des emballages alimentaires en polyéthylène qui sont étanches à l'air.
- Ne laissez pas les aliments non congelés toucher les aliments déjà congelés pour éviter une élévation de température de ces derniers.
- Les produits glacés, s'ils sont consommés immédiatement après avoir été retirés du compartiment congélateur, provoqueront probablement des gelures par le givre sur la peau.
- Il est recommandé d'étiqueter et de dater chaque emballage congelé afin de suivre la durée de stockage.

Conseils pour le stockage des aliments congelés

- Assurez-vous que les aliments congelés ont été stockés correctement par le détaillant d'aliments.
- Une fois décongelés, les aliments se détérioreront rapidement et ne doivent pas être recongelés. Ne dépassez pas la durée de stockage indiquée par le producteur d'aliments.

Mise hors tension de votre appareil

Si l'appareil doit être éteint pendant une période prolongée, les mesures suivantes doivent être prises pour éviter les moisissures sur l'appareil.

1. Retirez tous les aliments.
2. Débranchez la fiche d'alimentation de la prise de courant.
3. Nettoyez et séchez l'intérieur soigneusement.
4. Veillez à ce que toutes les portes soient légèrement coincées pour permettre à l'air de circuler.

Nettoyage et entretien

Pour des raisons d'hygiène, l'appareil (y compris les accessoires intérieurs et extérieurs) doit être nettoyé une fois au moins tous les deux mois).

Avertissement !

- L'appareil ne doit pas être branché à la prise de courant pendant le nettoyage, car il y a un risque de choc électrique ! Avant de procéder au nettoyage éteignez l'appareil et retirez la fiche d'alimentation de la prise de courant.

Nettoyage extérieur

- Pour maintenir un bel aspect de votre appareil, vous devez le nettoyer régulièrement.
- Essuyez le panneau de commande avec un chiffon propre et doux.
- Vaporisez de l'eau sur le chiffon de nettoyage au lieu de la vaporiser directement sur la surface de l'appareil. Cela permet d'assurer une répartition uniforme de l'humidité sur la surface.
- Nettoyez les portes, les poignées et les surfaces de l'armoire avec un détergent doux et puis essuyez-les avec un chiffon doux.



Attention !

- N'utilisez pas d'objets tranchants, car ils risquent de rayer la surface.
- N'utilisez pas de diluant, de détergent pour voiture, d'eau de javel, d'huile éthérée, de nettoyants abrasifs ou de solvant organique tel que le benzène pour le nettoyage. Ils

peuvent endommager la surface de l'appareil et provoquer un incendie.

Nettoyage intérieur

- Vous devez nettoyer l'intérieur de l'appareil régulièrement. Il sera plus facile de le nettoyer lorsque la quantité de stocks alimentaires à l'intérieur est petite. Essayez l'intérieur du réfrigérateur-congélateur avec une solution à base de bicarbonate de soude, puis rincez-le à l'eau chaude avec une éponge ou un chiffon essoré. Essayez-les complètement avant de replacer les étagères et les paniers. Essayez soigneusement toutes les surfaces et les pièces amovibles avant de les remettre en place.



- Bien que cet appareil se dégivre automatiquement, une couche de givre peut se former sur les parois intérieures du compartiment congélateur si la porte du congélateur est ouverte fréquemment ou pendant trop longtemps. Si le givre est trop épais, choisissez un moment où le congélateur est presque vide et procédez comme suit :
 1. Retirez les paniers d'aliments et d'accessoires existants, débranchez l'appareil de l'alimentation secteur et laissez les portes ouvertes. Ventilez soigneusement la pièce pour accélérer le processus de dégivrage.
 2. Une fois le dégivrage terminé, nettoyez votre congélateur comme décrit ci-dessus.

Attention !

- N'utilisez pas d'objets pointus pour enlever le givre du compartiment congélateur. C'est seulement après que l'intérieur soit sec que l'appareil doit être remis en marche et rebranché sur la prise de courant.

Nettoyage des joints de porte

- Veillez à ce que les joints de porte restent propres. Les aliments et les boissons collants peuvent faire coller les joints à l'armoire et les déchirer lorsque vous ouvrez la porte. Lavez les joints avec un détergent doux et de l'eau chaude. Rincez-les et séchez-les soigneusement après le nettoyage.

Attention !

- L'appareil ne doit être mis sous tension qu'après que les joints de porte soient complètement secs.

Remplacement de la lumière DEL :**Avertissement :**

- La lampe DEL doit être remplacée par un

personnel compétent. Si la lampe DEL est endommagée, appelez le service à la clientèle pour assistance. Pour remplacer la lampe DEL, les étapes suivantes peuvent être suivies :

1. Débranchez votre appareil.
2. Retirez le couvercle de la lampe en le poussant vers le haut et le sortant.
3. Tenez le couvercle de la lampe d'une main puis retirez-le de l'autre main en pressant sur le loquet du connecteur.
4. Remplacez la lampe DEL et installez-la correctement en place.

Remarque : Ce produit contient une source lumineuse de classe d'efficacité énergétique < G >.

Nettoyage du distributeur d'eau (spécial pour les produits avec distributeur d'eau) :

- Nettoyez les réservoirs d'eau s'ils n'ont pas été utilisés pendant 48 h ; rincez le système d'eau raccordé à une alimentation en eau si l'eau n'a pas été prise pendant 5 jours.

Dépannage

Si vous rencontrez un problème avec votre appareil ou que vous pensez que l'appareil ne fonctionne pas correctement, vous pouvez effectuer des vérifications simples avant d'appeler le service après-vente, voir ci-dessous.

Avertissement ! N'essayez pas de réparer l'appareil vous-même. Si le problème persiste après avoir effectué les contrôles mentionnés ci-dessus, contactez un électricien qualifié, un technicien de maintenance autorisé ou le magasin où vous avez acheté le produit.

| Problème : | Cause possible et solution |
|-------------------------------------------|-------------------------------------------------------------------------------------------------------------------------------------------------------------------------------------------------------------------------------------------------------------------------------------------------------------------------------------------------------------------------------------------------------------------------------------------------------------------------------------------------------------------------------------------------------------------------------------------------------------------------------------------------------------------------------------------------------------------------------------------------------------------------------------------------------------------------------------------------------------------|
| L'appareil ne fonctionne pas correctement | <ul style="list-style-type: none">➤ Vérifiez si le cordon d'alimentation est correctement branché dans la prise de courant.➤ Vérifiez le fusible ou le circuit de votre alimentation électrique, remplacez-le si nécessaire.➤ La température ambiante est trop basse. Essayez de régler la température de la chambre à un niveau plus bas pour résoudre ce problème.➤ Il est normal que le congélateur ne fonctionne pas pendant le cycle de dégivrage, ou pendant peu de temps après la mise sous tension de l'appareil pour protéger le compresseur. |
| Odeurs provenant du compartiment | <ul style="list-style-type: none">➤ L'intérieur peut avoir besoin d'être nettoyé.➤ Certains aliments, récipients ou emballages engendrent des odeurs. |
| Bruit généré par l'appareil | <p>Les sons ci-dessous sont tout à fait normaux :</p> <ul style="list-style-type: none">➤ Bruits de fonctionnement du compresseur.➤ Bruit de mouvement de l'air du petit moteur du ventilateur dans le compartiment congélateur ou dans d'autres compartiments.➤ Son de gargouillement similaire au bouillonnement de l'eau.➤ Bruit d'éclatement pendant le dégivrage automatique.➤ Bruit de cliquetis avant le démarrage du compresseur. <p>D'autres bruits inhabituels sont dus aux raisons ci-dessous et peuvent nécessiter que vous effectuiez une vérification et preniez des mesures :</p> <ul style="list-style-type: none">➤ L'appareil n'est pas à niveau.➤ L'arrière de l'appareil touche le mur.➤ Les bouteilles ou récipients se cognent les uns contre les autres. |
| Le moteur fonctionne en continu | <p>Il est normal d'entendre fréquemment le bruit du moteur, il devra fonctionner davantage dans les circonstances suivantes :</p> <ul style="list-style-type: none">➤ La température est réglée plus bas que nécessaire.➤ Une grande quantité d'aliments chauds a récemment été stockée dans l'appareil.➤ La température extérieure de l'appareil est trop élevée.➤ Les portes restent ouvertes trop longtemps ou trop souvent.➤ Après l'installation de l'appareil ou s'il a été éteint pendant une longue période. |

| Problème : | Cause possible et solution |
|-----------------------------------------------------|----------------------------------------------------------------------------------------------------------------------------------------------------------------------------------------------------------------------------------------------------------------------------------------------------------------|
| Une couche de givre se produit dans le compartiment | ➤ Assurez-vous que les sorties d'air ne sont pas bloquées par des aliments et que les aliments sont placés dans l'appareil de manière à permettre une ventilation suffisante. Assurez-vous que la porte peut être complètement fermée. Pour enlever le givre, référez-vous au chapitre nettoyage et entretien. |
| La température intérieure est trop chaude | ➤ Vous avez peut-être laissé les portes ouvertes trop longtemps ou trop souvent ; ou les portes sont maintenues ouvertes à cause d'un obstacle quelconque ; ou l'appareil est situé à un endroit avec un dégagement insuffisant sur les côtés, à l'arrière et en haut. |
| La température intérieure est trop froide | ➤ Augmentez la température en suivant le chapitre « Panneau de commande ». |
| Les portes ne se ferment pas facilement | ➤ Vérifiez si le haut du réfrigérateur est incliné vers l'arrière de 10-15 mm pour permettre aux portes de se refermer, ou que quelque chose à l'intérieur empêche les portes de se fermer. |

Mise au rebut de l'appareil

Il est interdit d'éliminer cet appareil comme des déchets ménagers.

Matériaux d'emballage

Les matériaux d'emballage avec le symbole de recyclage sont recyclables. Jetez l'emballage dans un contenant de collecte de déchets approprié pour le recycler.

Avant la mise au rebut de l'appareil

1. Retirez la fiche d'alimentation de la prise de courant.
2. Coupez le cordon d'alimentation et jetez-le avec la fiche d'alimentation.

Avertissement ! Les réfrigérateurs contiennent des réfrigérants et des gaz dans l'isolation. Le réfrigérant et les gaz doivent être éliminés de manière professionnelle, car ils peuvent provoquer des lésions oculaires ou l'ignition. Assurez-vous que le tuyau de réfrigérant n'est pas endommagé avant de l'éliminer correctement.

Mise au rebut correcte de ce produit



Ce symbole sur le produit ou dans son emballage indique que ce produit ne peut être considéré comme déchets domestique. Portez l'appareil auprès d'un centre de recyclage agréé, spécialisé dans les appareils électroménagers. En vous assurant que ce produit est éliminé correctement, vous contribuerez à prévenir les conséquences potentielles négatives sur l'environnement et la santé humaine, qui pourraient être causées par une manipulation inappropriée des déchets de ce produit. Pour des informations plus détaillées sur le recyclage de ce produit, veuillez contacter votre conseil local, votre service d'élimination des déchets ménagers ou le magasin où vous avez acheté le produit.

Hisense

life reimagined

GEBRUIKERHANDLEIDING

Alvorens dit apparaat te gaan bedienen, moet u deze gebruikershandleiding zorgvuldig doorlezen en voor toekomstig gebruik bewaren

NL

Nederlands

Inhoud

| | |
|---------------------------------------------|----|
| Veiligheids- en waarschuwinginformatie..... | 3 |
| Installeren van uw nieuw apparaat..... | 12 |
| Beschrijving van het apparaat..... | 15 |
| Bedieningspaneel..... | 17 |
| Gebruik van het apparaat..... | 21 |
| Nuttige aanwijzingen en tips..... | 25 |
| Reinigen en onderhoud..... | 26 |
| Probleemoplossing..... | 28 |
| Afdanken van het apparaat..... | 29 |

Veiligheids- en waarschuwingsinformatie

Je veiligheid en die van anderen zijn erg belangrijk.

We geven veel belangrijke veiligheidsberichten in deze handleiding en op je apparaat. Lees en volg altijd alle veiligheidsberichten.



Dit is het veiligheidswaarschuwingssymbool.

Dit symbool waarschuwt je voor mogelijke gevaren die jou en anderen kunnen doden of verwonden. Alle veiligheidswaarschuwingen hebben het veiligheidswaarschuwingssymbool en ofwel het woord "GEVAAR", "WAARSCHUWING" of "LAT OP".

Deze woorden betekenen:

GEVAAR

Er dreigt een gevaarlijke situatie. Je kan worden gedood of ernstig gewond raken als je de instructies niet onmiddellijk opvolgt

WAARSC HUWING

Een mogelijk gevaarlijke situatie die, indien deze niet wordt vermeden, de dood of ernstig lichamelijk letsel tot gevolg kan hebben.

LET OP

Een mogelijk gevaarlijke situatie die, indien deze niet wordt vermeden, kan leiden tot matig of licht letsel.

Alle veiligheidswaarschuwingen zullen je vertellen wat het potentiële gevaar is, je vertellen hoe je de kans op letsel kunt verkleinen en wat er kan gebeuren als de instructies niet worden opgevolgd.



Veiligheids- en waarschuwingsinformatie

Voor uw veiligheid en correct gebruik, voordat u het apparaat installeert en het apparaat voor de eerste keer in gebruik neemt, moet u deze gebruikershandleiding zorgvuldig doorlezen, inclusief de tips en waarschuwingen. Om onnodige fouten en ongevallen te voorkomen, is het belangrijk om ervoor te zorgen dat alle mensen die het apparaat gebruiken, volledig bekend zijn met de werking ervan en de veiligheidsvoorzieningen. Bewaar deze instructies en zorg ervoor dat deze bij het apparaat blijven als het verplaatst of verkocht wordt, zodat iedereen gedurende de gehele levensduur naar behoren is geïnformeerd over het gebruik en veiligheidsmededelingen.

Voor de veiligheid van mensenlevens en eigendommen, de voorzorgsmaatregelen van de gebruikershandleiding naleven, aangezien de fabrikant niet verantwoordelijk is voor schade veroorzaakt voor nalatigheid.

Veiligheid voor kinderen en anderen personen die kwetsbaar zijn

- In overeenstemming met de EN-norm

Dit apparaat kan door kinderen van 8 jaar en ouder en personen met verminderde fysieke, sensorische of mentale capaciteiten of gebrek aan ervaring en kennis worden gebruikt als zij op een veilige manier geïnstrueerd zijn over het gebruik van het apparaat en de betrokken gevaren hebben begrepen. Kinderen mogen niet met het apparaat spelen. Reinigings- en onderhoudswerkzaamheden mag niet zonder toezicht door kinderen worden gedaan. Kinderen in de leeftijd van 3 tot 8 mogen in werking zijnde koelende apparaten vullen en leegmaken.

- In overeenstemming met de IEC-norm

Dit apparaat is niet bedoeld voor gebruik door personen (inclusief kinderen) met verminderde lichamelijke, zintuiglijke of geestelijke vermogens, of gebrek aan ervaring en kennis, tenzij ze onder toezicht staan of geïnstrueerd werden over het gebruik van het apparaat door een persoon die verantwoordelijk is voor hun veiligheid.

- Kinderen moeten onder toezicht staan om ervoor te zorgen dat ze niet met het apparaat spelen.
- Houd alle verpakkingsmaterialen uit de buurt van kinderen, omdat er verstikkingsgevaar bestaat.
- Indien u het apparaat gaat afdanken, trekt u de stekker uit het stopcontact, snijdt het netsnoer ervan af (zo dicht mogelijk bij het apparaat) en verwijder de deur, teneinde te voorkomen dat kinderen een elektrische schokken krijgen of zichzelf in het apparaat opsluiten.
- Indien dit apparaat, welke is voorzien van magnetische deurafdichtingen, een ouder model van het apparaat moet vervangen die een veerslot (vergrendeling) op de deur of de deksel heeft, zorg ervoor dat het veerslot onbruikbaar wordt gemaakt voordat u het oude apparaat afdankt. Het bovenstaande zal voorkomen dat het een dodelijke valstrik voor een kind wordt.



Algemene veiligheid

- **WAARSCHUWING** — Dit apparaat is bedoeld voor gebruik in huishoudelijke en soortgelijke toepassingen zoals -personeelkeukens in winkels, kantoren of andere werkomgevingen;
-boerderijen en bij klanten in hotels, motels en andere type woonomgevingen;
-bed en breakfast type omgevingen;
-catering en dergelijke niet-retail toepassingen.
- **WAARSCHUWING** — Geen explosieve stoffen zoals aerosol blikjes met brandbaar drijfgas in dit apparaat bewaren.
- **WAARSCHUWING** — Indien het netsnoer beschadig is, moet het worden vervangen door de fabrikant, servicemonteur of gelijkwaardige gekwalificeerd persoon teneinde gevaren te voorkomen.
- **WAARSCHUWING** — Ventilatieopeningen in de behuizing van het apparaat of in een ingebouwde structuur vrij van obstakels houden.
- **WAARSCHUWING** — Gebruik geen mechanische apparaten of andere middelen om het ondooiproces te versnellen, andere dan die aanbevolen door de fabrikant.
- **WAARSCHUWING** — Het koelcircuit niet beschadigen.
- **WAARSCHUWING** — Gebruik geen elektrische apparaten in de opslagruimte voor levensmiddelen van het apparaat, tenzij zij van het type zijn dat wordt aanbevolen door de fabrikant.
- **WAARSCHUWING** — Het koelmiddel en de isolatie drijfgas zijn ontvlambaar. Als u het apparaat afdankt, doe dit alleen bij een erkend afvalverwijderingscentrum. Niet blootstellen aan vlammen.
- **WAARSCHUWING** — Bij het positioneren van het apparaat moet u controleren of het netsnoer niet verstrikt of beschadigd is geraakt.

- **WAARSCHUWING** — Niet meerdere draagbare stopcontacten of verlengsnoeren aan de achterkant van het apparaat plaatsen.
- **WAARSCHUWING** — Voedsel moet worden verpakt in zakken alvorens het te plaatsen in de koelkast, en vloeistoffen moeten worden bewaard in flessen of containers om het probleem te voorkomen dat de bestanddelen van het product niet eenvoudig te reinigen zijn.



Het symbool is een waarschuwing en duidt aan dat het koudemiddel- en isolatiegassen brandbaar zijn.

Waarschuwing: Brandgevaar / brandbare materialen

Vervangen van LED-lampen

- **WAARSCHUWING** — De oplichtende lampen mogen niet door de gebruiker worden vervangen! Als de oplichtende lampen beschadigd zijn, neemt u contact op met de klantenservice voor assistentie. Deze waarschuwing geldt alleen voor koelkasten die oplichtende lampen bevatten.

Koelmiddel

Het koelmiddel isobuteen (R600a) bevindt zich in het koelcircuit van het apparaat, isobuteen is een natuurlijk gas met een hoge mate van milieuvriendelijkheid, maar die wel ontvlambaar is. Tijdens transport en installatie van het apparaat, moet u ervoor zorgen dat geen van de componenten van het koelcircuit beschadigd raakt.

Het koelmiddel (R600a) is ontvlambaar.

- **WAARSCHUWING** — Koelkasten bevatten koelmiddel en gassen in de isolatie. Koelmiddel en gassen moeten professioneel worden afgevoerd, omdat ze oogletsel of ontsteking kunnen veroorzaken. Zorg ervoor dat leidingen van het koelcircuit niet beschadigd raken voorafgaand aan het afdanken.



WAARSCHUWING: brandgevaar

Als het koelmiddelcircuit beschadigd zou kunnen zijn:

- Open geen vlammen en ontstekingsbronnen.
- De kamer waar het apparaat zich bevindt, moet grondig worden geventileerd.

Het is gevaarlijk om de specificaties of dit product op een of andere manier te wijzigen.

Eventuele schade aan het netsnoer kan kortsluiting, brand, en/of elektrische schok veroorzaken.



Elektrische veiligheid

- Het netsnoer mag niet verlengd worden.
- Zorg ervoor dat de stekker niet wordt geplet of beschadigd. Een gebroken of beschadigde stekker kan oververhit raken en brand veroorzaken.
- Zorg ervoor dat u toegang hebt tot de hoofdstekker van het apparaat.
- Niet aan het netsnoer trekken.
- In het stopcontact los zit, mag u er geen stekker insteken. Er bestaat gevaar voor elektrische schokken of brand.
- U mag het apparaat niet bedienen zonder de deksel van de binnenverlichting.
- De koelkast mag alleen worden voorzien van een netspanning van eenfasige wisselstroom van 220~240V/50Hz. Indien de fluctuaties van de netspanning in de wijk van de gebruiker zo groot is dat de netspanning hoger is dan de bovenstaande scope, moet u ter wille van de veiligheid A.C. Automatische netspanningsregelaar van meer dan 350W naar de koelkast leiden. De koelkast moet een apart stopcontact gebruiken in plaats van een gewone stopcontact tezamen met andere elektrische apparaten. De stekker moet overeenkomen met het stopcontact met aardingsdraad.

Dagelijks gebruik

- Bewaar geen brandbare gassen of vloeistoffen in het apparaat, aangezien er een explosiegevaar bestaat.
- Gebruik geen elektrische apparaten in het apparaat (bijvoorbeeld elektrische ijsmakers, mixers, enz.).
- Bij het ontkoppelen, altijd de stekker uit het stopcontact trekken, en niet aan de kabel trekken.
- Plaats geen warme gerechten in de buurt van de plastic onderdelen van het apparaat.
- Geen voedingsmiddelen direct tegen de luchtafvoer op de achterwand plaatsen.
- Voorverpakte diepvriesproducten opslaan in overeenstemming met de instructies voor bevroren voedselproductie.
- De opslaginstructies van de fabrikant van apparaten moeten streng worden nageleefd. Raadpleeg de relevante opslaginstructies.
- Plaats geen koolzuurhoudende of warme dranken in het vriesvak, aangezien het druk op het blikje uitoefent, waardoor het kan ontploffen, en schade aan het apparaat wordt veroorzaakt.
- Bevroren voedsel kan brandwonden veroorzaken als het rechtstreeks uit het vriesvak wordt geconsumeerd.
- Plaats het apparaat niet in direct zonlicht.
- Houd brandende kaaren, lampen of other onderwerpen met open vlammen uit de buurt van het apparaat.
- Het apparaat is uitsluitend bedoeld voor het bewaren van voedsel en/of dranken voor een normale consumptie van huishoudens, zoals uitgelegd in dit instructieboekje. Het apparaat is zwaar. Voorzichtigheid is geboden bij het verplaatsen.

- Geen items verwijderen of aanraken uit het vriesvak als uw handen vochtig/nat zijn, aangezien uw huid letsel kan oplopen of vorst/vriesbrandwonden.
- Gebruik nooit de basis, laden, deuren enz. om op te staan als ondersteuning.
- Diepgevroren voedsel mag niet opnieuw worden ingevroren als het eenmaal ontdooid is.
- Geen ijslolly's of ijsblokjes rechtstreeks uit de vriezer consumeren, aangezien dit vriesbrandwonden in de mond en aan de lippen kan veroorzaken.
- Om te voorkomen dat voorwerpen vallen en letsel aan personen of schade aan het apparaat kunnen veroorzaken, de deurrekken niet overbelasten en plaats niet teveel voedsel in de verladen.
- Dit koelapparaat is niet bedoeld voor gebruik als inbouwapparaat.



Let op!

Onderhoud en reinigen

- Alvorens onderhoudswerkzaamheden uit te voeren, moet u het apparaat uitschakelen en de stekker uit het stopcontact trekken.
- Het apparaat niet reinigen met metalen voorwerpen, stoomreinigers, etherische oliën, organische oplosmiddelen of schuurreinigers.
- U mag geen scherpe voorwerpen gebruiken om rijp uit de koelkast te schrapen. Gebruik een plastic schraper.

Installatie Belangrijk!

- Voor de elektrische aansluiting, voorzichtig de instructies in deze handleiding volgen.
- Het apparaat uitpakken en controleer of er schade is aan het apparaat. Sluit het apparaat niet aan als het beschadigd is. Meld mogelijke beschadigingen onmiddellijk aan de winkel waar u het apparaat heeft gekocht. In dat geval de verpakking bewaren.

- Het is raadzaam om tenminste twee uur te wachten, alvorens het apparaat aan te sluiten, om de compressor op beschadigingen te controleren.
- Er moet voldoende luchtcirculatie rondom het apparaat aanwezig zijn, want als dit ontbreekt kan het leiden tot oververhitting. Om te zorgen voor voldoende ventilatie, volgt u de instructies die relevant zijn voor de installatie.
- Wanneer dat mogelijk is moet de achterkant van het product niet te dicht op een muur worden geplaatst, teneinde te voorkomen dat u warme delen aanraakt (compressor, de condensor) om het risico van een brand te voorkomen, en u volgt de instructies die relevant zijn voor de installatie.
- Het apparaat mag niet dicht bij radiatoren of kookplaten worden geplaatst.
- Zorg ervoor dat de stekker toegankelijk is na de installatie van het apparaat

Onderhoud

- Alle elektrotechnische werkzaamheden die nodig zijn om dit apparaat te installeren, mogen uitsluitend door een elektricien of daartoe bevoegd persoon worden uitgevoerd.
- Dit product mag alleen worden onderhouden door een erkend Service Center en uitsluitend originele onderdelen mogen daarvoor worden gebruikt.

1. Als het apparaat Frost Free is.
2. Als het apparaat een vriesvak bevat.

Teneinde besmetting van voedsel te voorkomen, gaarne de volgende instructies in acht nemen

- Het langdurige openen van de deur kan een aanzienlijke verhoging van de temperatuur in de compartimenten van het apparaat veroorzaken.
- De oppervlakken die in contact kunnen komen met voedsel en toegankelijke afvoersystemen regelmatig reinigen.
- Bewaar rauw vlees en vis in daarvoor geschikte opslagbakken in de koelkast, zodat het niet in contact komt met of druipt op ander voedsel.
- Diepvriesvakken met twee-sterren zijn geschikt voor het bewaren van diepgevroren voedsel, bewaren en maken van ijs en ijsblokjes maken.
- Compartimenten met één, twee en drie sterren zijn niet geschikt voor het invriezen van vers voedsel.

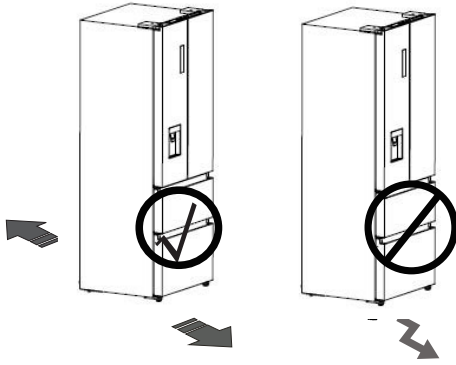
Installeren van uw nieuw apparaat

Vóór de eerste ingebruikname van uw apparaat, moet u de volgende tips goed doornemen.

Waarschuwing!

Voor een correcte installatie moet deze koelkast op een vlak oppervlak van hard materiaal dat dezelfde hoogte als de rest van de vloer worden geplaatst. Dit oppervlak moet sterk genoeg om een volledig geladen koelkast te ondersteunen.

De rollers, die geen wielen zijn, mogen alleen worden gebruikt voor voorwaartse of achterwaartse beweging. Bij het zijwaarts verplaatsen van u de koelkast, kan uw vloer en de rollen beschadigd raken.

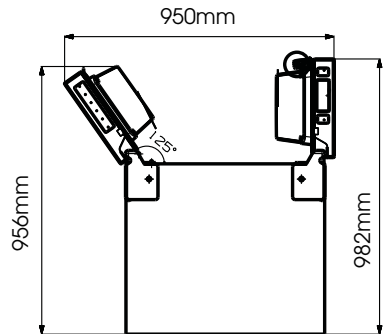
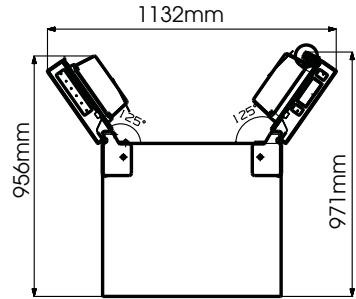
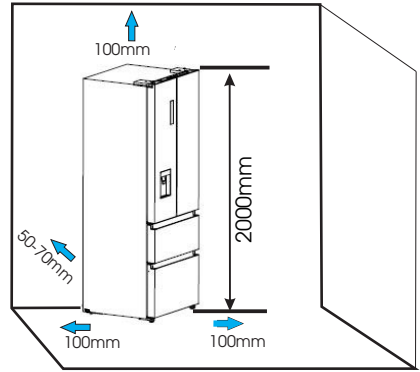


⚠ Ventilatie van het apparaat

Teneinde de efficiëntie van het koelsysteem te verbeteren en energie te besparen, is het noodzakelijk om goede ventilatie rond het apparaat te houden voor de afvoer van warmte. Voor deze reden, moet er voldoende ruimte rondom de koelkast worden gelaten.

Suggesties:

Het wordt aanbevolen 50-70mm ruimte aan de achterkant van de muur wordt gelaten, tenminste 100mm vanaf de bovenkant 100mm vanaf de zijkant van de muur en een vrije ruimte aan de voorkant de deuren met 130° te openen. Zoals weergegeven in de volgende diagrammen.



Opmerking:

- Dit apparaat presteert goed van SN tot T
Het apparaat werkt mogelijk niet goed, als het gedurende een langere periode bij een temperatuur boven of onder het aangegeven bereik werkt.

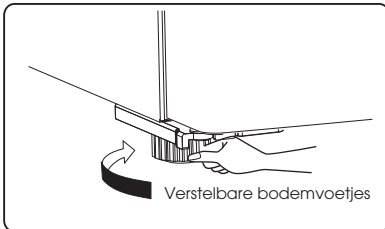
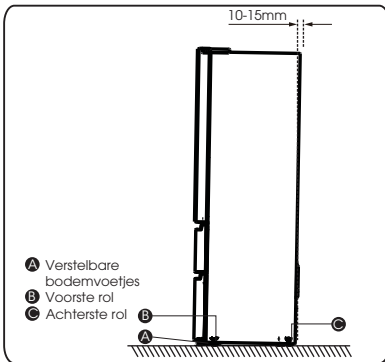
| Klimaatklasse | Omgevingstemperatuur |
|---------------|----------------------|
| SN | +10°C tot +32°C |
| N | +16°C tot +32°C |
| ST | +16°C tot +38°C |
| T | +16°C tot +43°C |

- Uw apparaat op een droge plaats neerzetten om vochtbeschadiging te vermijden.
- Houd het apparaat niet in direct zonlicht regen of vorst. Houd het apparaat uit de buurt van warmtebronnen, zoals kachels, branden of verwarmingen.

Nivellering van het apparaat

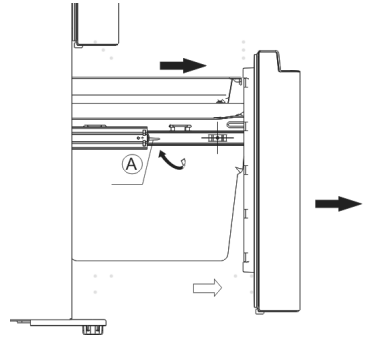
Voor voldoende nivellering en luchtcirculatie in de onderste achterkant van het apparaat, de stelvoetjes moeten mogelijk worden aangepast. U kunt ze handmatig aanpassen met een passende sleutel.

Om de deuren uit zichzelf te laten sluiten, kantel de bovenkant naar achteren met ongeveer 10-15mm.

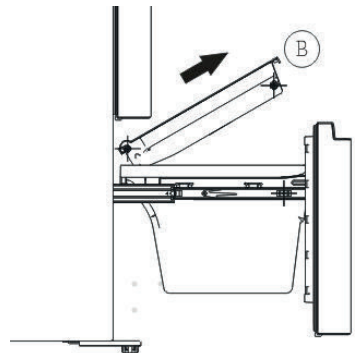


Demonteren van het diepvriezerschap

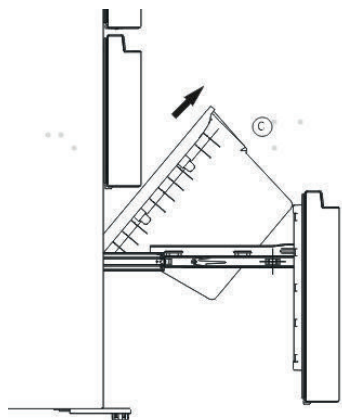
1. Het vriezercompartment is voorzien van een bovenste lade, een onderste lade en een koelbox;
2. Open de diepvriezerdeur; Trek het afstelblok omhoog (A) en trek de deurlade van de diepvriezer (A) naar de eindpositie.



3. Trek het schap (B) eruit door het omhoog te tillen in de pijlrichting.



4. Verwijder de onderste vriezerlade (C) door het op te tillen.

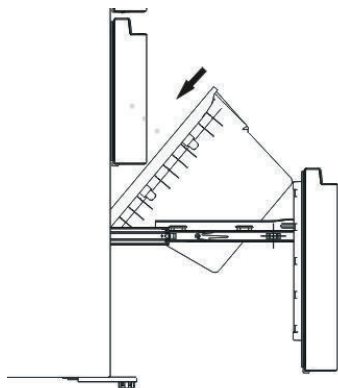


Monteer het diepvriezerschap opnieuw

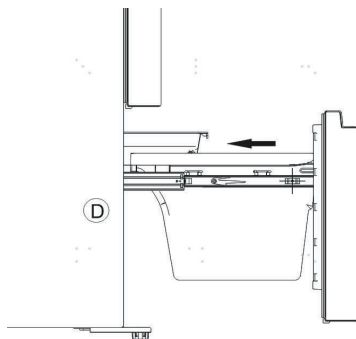
Teneinde de lade opnieuw te monteren nadat u het apparaat naar de uiteindelijke locatie hebt verplaatst, monteert u de onderdelen in omgekeerde volgorde.

Installeren van het onderste schap

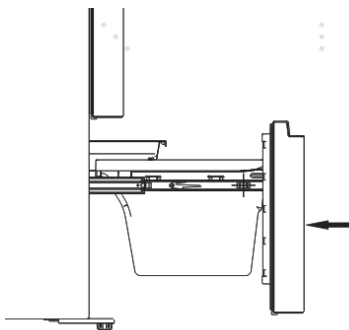
1. Duw het onderste schap in de pijlrichting naar de eindpositie.



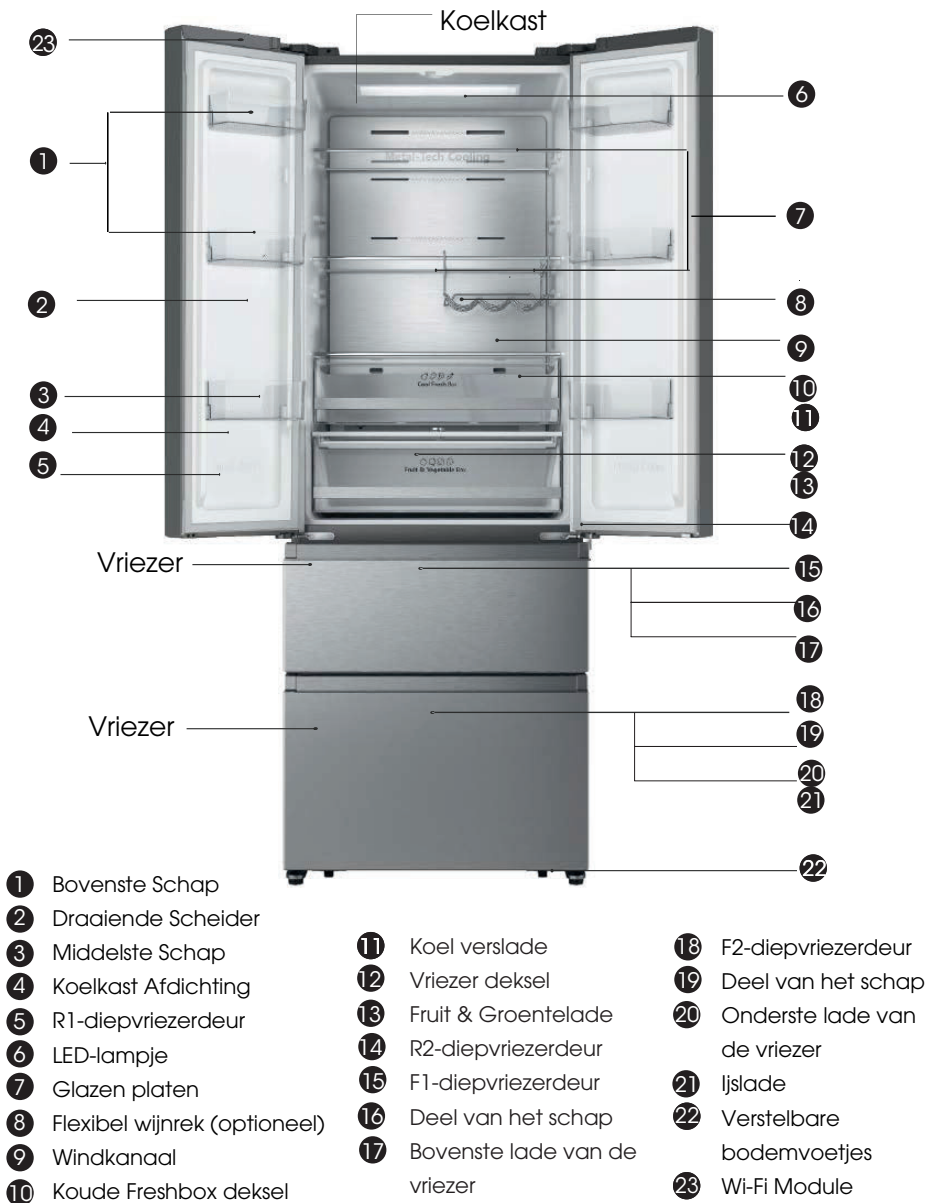
2. Zet de lade op het schap en druk het naar binnen en zorg ervoor dat de rollen van het schap op de geleiders van de vriezerafdichting (D) komen.



3. Druk de diepvriezerdeur richting de pijl en sluit het.



Beschrijving van het apparaat

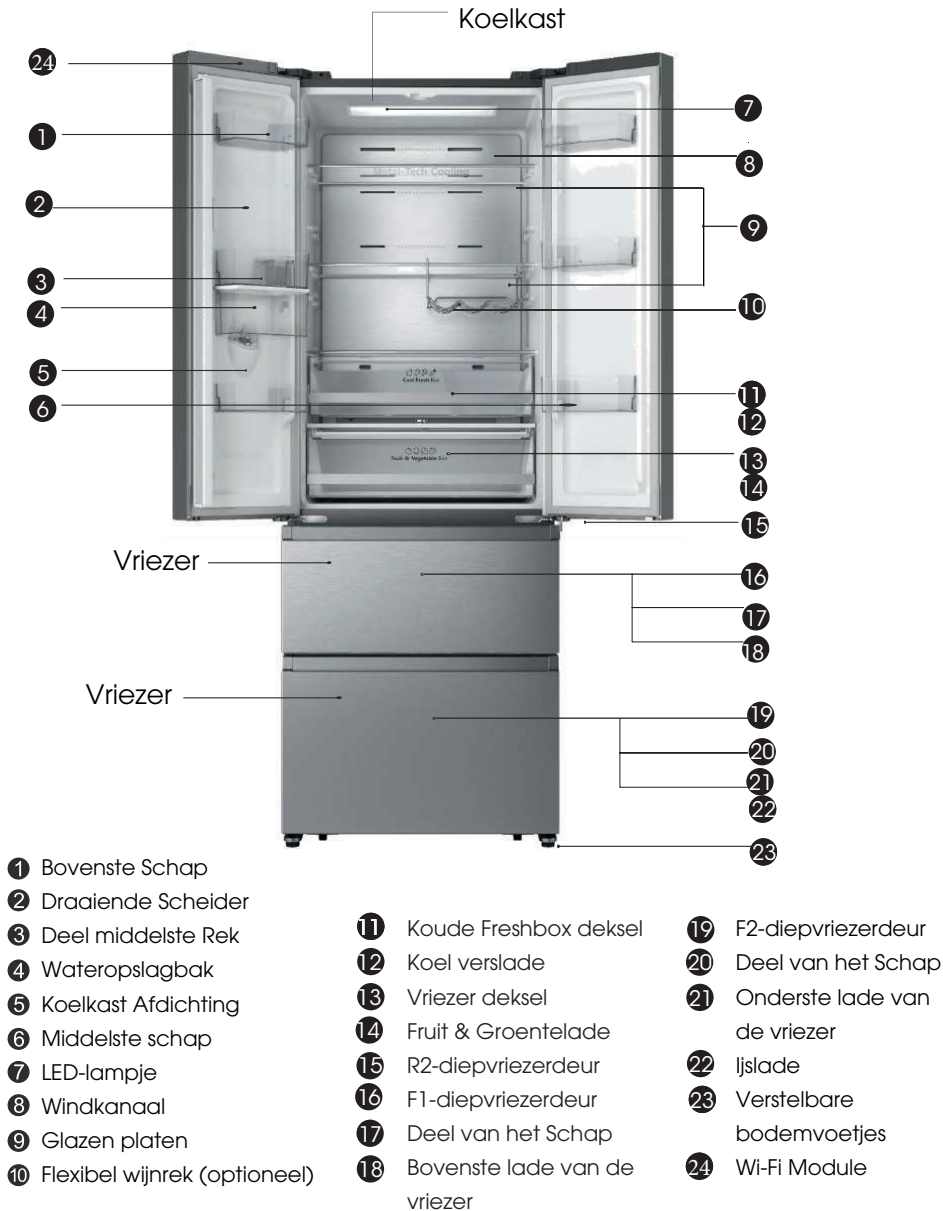


- | | | |
|--------------------------------|---------------------------------|---------------------------------|
| 1 Bovenste Schap | 11 Koel verslade | 18 F2-diepvriezerdeur |
| 2 Draaiende Scheider | 12 Vriezer deksel | 19 Deel van het schap |
| 3 Middelste Schap | 13 Fruit & Groentelade | 20 Onderste lade van de vriezer |
| 4 Koelkast Afdichting | 14 R2-diepvriezerdeur | 21 Ijslade |
| 5 R1-diepvriezerdeur | 15 F1-diepvriezerdeur | 22 Verstelbare bodemvoetjes |
| 6 LED-lampje | 16 Deel van het schap | 23 Wi-Fi Module |
| 7 Glazen platen | 17 Bovenste lade van de vriezer | |
| 8 Flexibel wijnrek (optioneel) | | |
| 9 Windkanaal | | |
| 10 Koude Freshbox deksel | | |

Opmerking: Je model ziet er mogelijk anders uit dan deze en andere afbeeldingen in deze handleiding, afhankelijk van de functies van je model.

Opmerking: Om de beste energie-efficiëntie van dit product te waarborgen, plaatst u alle schappen, laden op hun oorspronkelijke positie zoals in de bovenstaande afbeelding.

Beschrijving van het apparaat



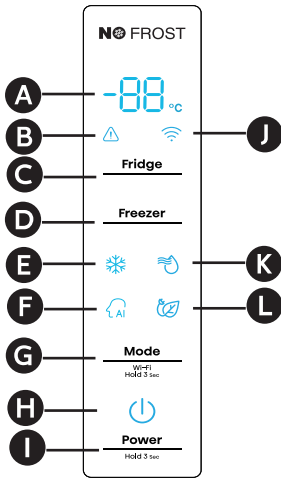
- | | | |
|---------------------------------|---------------------------------|---------------------------------|
| 1 Bovenste Schap | 11 Koude Freshbox deksel | 19 F2-diepvriezerdeur |
| 2 Draaiende Scheider | 12 Koel verslade | 20 Deel van het Schap |
| 3 Deel middelste Rek | 13 Vriezer deksel | 21 Onderste lade van de vriezer |
| 4 Wateropslagbak | 14 Fruit & Groentelade | 22 Ijsslade |
| 5 Koelkast Afdichting | 15 R2-diepvriezerdeur | 23 Verstelbare bodemvoetjes |
| 6 Middelste schap | 16 F1-diepvriezerdeur | 24 Wi-Fi Module |
| 7 LED-lampje | 17 Deel van het Schap | |
| 8 Windkanaal | 18 Bovenste lade van de vriezer | |
| 9 Glazen platen | | |
| 10 Flexibel wijnrek (optioneel) | | |

Opmerking: Je model ziet er mogelijk anders uit dan deze en andere afbeeldingen in deze handleiding, afhankelijk van de functies van je model.

Opmerking: Om de beste energie-efficiëntie van dit product te waarborgen, plaatst u alle schappen, laden op hun oorspronkelijke positie zoals in de bovenstaande afbeelding.

Bedieningspaneel

Uw apparaat volgens de volgende controlevoorschriften gebruiken, uw apparaat heeft de overeenkomstige functies en modi zoals de bedieningspanelen in de onderstaande afbeeldingen weergegeven.



- | | | | |
|----------|-----------------------|----------|-------------------------|
| A | Temperatuurinstelling | G | Mode Knop |
| B | Deuralarm | H | Stand-by Icoon |
| C | Koelkast Knop | I | Aan/uit Knop |
| D | Vriezer Knop | J | Wi-Fi Icoon |
| E | Super Vriezen Icoon | K | Super Koud Icoon |
| F | Zacht Icoon | L | Energiebesparende Icoon |

OPMERKING



- Zodra het apparaat is ingeschakeld, lichten alle iconen op het display gedurende 3 seconden op en klinkt er een zoemer.
- Alle pictogrammen gaan uit als alle toetsen niet aangeraakt worden en alle deuren gedurende één minuut gesloten blijven.
- Het bedieningspaneel licht op wanneer de deur van de koelkast open is of wanneer u een toets aanraakt.

Let op!

De temperatuur betekent alleen de gemiddelde temperatuur van de hele koelkast. De temperatuur in elk compartiment kan afwijken van wat op het paneel worden aangegeven, afhankelijk van de hoeveelheid opgeslagen voedsel en de plaats waar de koelkast is geplaatst. Bovendien zal de werkelijke temperatuur van het hogere compartiment en het lagere compartiment verschillend zijn.

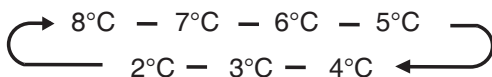
OPMERKING: Als u de koelkast op een hoge temperatuur zet, zal het voedsel sneller bederven. Voor een optimale conservering van levensmiddelen raden wij aan om bij de eerste ingebruikneming van de koelkast de temperatuur van de koelkast in te stellen op 4°C, en die van de vriezer op -18°C.

Deuralarm

Als de deur van de koelkast langer dan 2 minuten wordt geopend, gaat het deuralarm af. Het "" pictogram begint te knipperen en de zoemer klinkt 3 maal per minuut. Als u alle deuren sluit, gaat het pictogram "" uit en stopt het gezoem. Bovendien zal het deuralarm automatisch stoppen na 10 minuten.

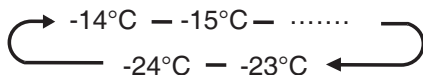
Fridge Koelkasttemperatuur Instelling

Druk op de "Fridge" toets om de temperatuur instelfunctie van de koelkast te activeren. Als u daarna de toets ingedrukt houdt, wordt de temperatuur in de volgende volgorde ingesteld:



Freezer **Instelling Vriezertemperatuur**

Druk op de toets "Freezer" om de temperatuurfunctie van de vriezer te activeren. Als u daarna de toets ingedrukt houdt, wordt de temperatuur in de volgende volgorde ingesteld:



Mode **Modus Instelling**

Wi-Fi
Hold 3 sec

Telkens wanneer u op de toets "Mode" drukt, schakelt de koelkastmodus over van de huidige modus (zo niet, dan start hij vanaf Zacht), en schakelt hij beurtelings tussen Zacht - Super Vriezen - Super Koelen - Energiebesparing - Zacht 4 modi, het overeenkomstige pictogram licht op, en de temperatuurdisplay geeft de overeenkomstige ingestelde temperatuur weer. Verlaat de betreffende modus bij het instellen van de koel- en vriezertemperatuur.



Zacht

De koelkast werkt op de manier die het meest bevorderlijk is voor het conserveren en bewaren van levensmiddelen.

OPMERKING: In de Zacht-modus zijn de ingestelde temperaturen van het koel- en vriesgedeelte respectievelijk 4°C en -18°C.



Super Vriezen

Gebruik deze stand wanneer u voedsel dat net in de vriezer is gezet, snel wilt invriezen.

OPMERKING: Als de vriescapaciteit volgens het typeplaatje moet worden gebruikt, moet het supervriezen minimaal 24 uur voordat de verse producten in het vriesvak worden geplaatst worden ingeschakeld. In de modus Supervriezen is de ingestelde temperatuur van het vriesvak -24°C, het koelvak werkt nog op de ingestelde temperatuur voordat het in de modus Supervriezen kwam, en wordt na 52 uur werking automatisch verlaten.



Super Koelen

Deze modus kan worden gebruikt wanneer u het voedsel dat u in de koelkast hebt gezet, snel wilt afkoelen.

OPMERKING: In de Super Koelen modus is de ingestelde temperatuur van het koelkastcompartiment 2°C, het vriescompartiment werkt nog op de ingestelde temperatuur voordat de Super Koelen modus wordt ingeschakeld, en wordt automatisch uitgeschakeld na 6 uur werking.



Energiebesparing

OPMERKING: In de Energiebesparende stand zijn de ingestelde temperaturen van het koel- en het vriesgedeelte respectievelijk 6°C en -17°C.

Stand-by

Druk de "Power" toets 3 seconden in om de stand-by functie in/uit te schakelen.

OPMERKING: Wanneer de koelkast naar stand-by gaat, stopt de koelkast met koelen en verschijnt op het temperatuur instelveld "--".

Wi-Fi functie

Dit apparaat kan op afstand worden bediend met een smartphone of een tablet. Als het apparaat niet op het thuisnetwerk is aangesloten, functioneert het als een gewoon apparaat.

Wat heeft u nodig om het toestel aan te sluiten?

- Het signaal van het lokale draadloze netwerk (Wi-Fi) moet voldoende sterk zijn op de plaats waar het apparaat is geïnstalleerd.
- De router van het thuisnetwerk moet verbonden zijn met het internet, en de Wi-Fi-functie op het apparaat moet geactiveerd zijn.
- De smartphone/tablet moet verbonden zijn met het internet.
- Het besturingssysteem van uw smartphone/tablet moet compatibel zijn met de Connect Life app.

ConnectLife App

De ConnectLife App is gratis te downloaden in de Apple App Store of in de Google Play Store.



Installeren van de ConnectLife app

1. Ga naar de App Store (op Apple apparaten), App Gallery (op Huawei apparaten) of Google Play store (op Android apparaten) op uw telefoon/tablet.



2. Zoek naar "ConnectLife".

3. Kies de ConnectLife app en installeer deze op uw smartphone/tablet.

INFORMATIE!

Wij raden u aan de mobiele app te downloaden en te installeren en een ConnectLife account aan te maken voordat u probeert de verbinding met uw apparaat tot stand te brengen.

APPARAAT OP WIFI AANSLUITEN

Nadat u de Wi-Fi-functie heeft geactiveerd, verbindt u uw apparaat met uw thuisrouter om uw apparaat te verbinden met de ConnectLife mobiele app.

Stap 1: Stel het apparaat in op normale werking. Druk ongeveer 3 seconden op de Modus toets. U bent in het menu netwerkverbinding wanneer '---' op het display verschijnt.

Stap 2: Druk binnen 60 seconden op de toets Koelkast om 'O' te selecteren.

Stap 3: Druk op de Modus toets om de selectie modus te bevestigen. Het Wi-Fi symbool begint te knippen en het netwerk van dit apparaat is nu open om verbinding mee te maken, gedurende 5 minuten.

Stap 4: Als het Wi-Fi-symbool brandt, betekent dit dat de Wi-Fi-verbinding tot stand is gebracht. Het display keert terug naar normaal.

APPARAAT KOPPELEN

Het apparaat kan gekoppeld worden met uw mobiele apparaat. Koppel eenvoudig een andere gebruiker aan uw apparaat. Hiervoor moet uw apparaat al eerder zijn ingesteld en verbonden met uw thuisnetwerk. Zo niet, ga dan terug en selecteer VERBINDING INSTELLEN.

Stap 1: Stel het apparaat in op normale werking. Druk ongeveer 3 seconden op de Modus toets. U bent in het menu netwerkverbinding wanneer '---' op het display verschijnt.

Stap 2: Druk binnen 60 seconden op de toets Koelkast om 'P' te selecteren.

Stap 3: Druk op de Modus toets om de selectie modus te bevestigen. Het netwerk KOPPELEN van dit apparaat is nu open om verbinding mee te maken, gedurende 5 minuten.

Stap 4: Wanneer het scherm weer normaal wordt, betekent dit dat het KOPPELEN van de verbinding geslaagd is.

ONTKOPPEL ALLE GEKOPPELDE APPARATEN

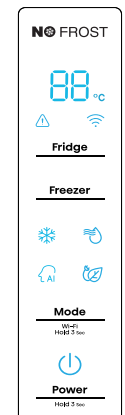
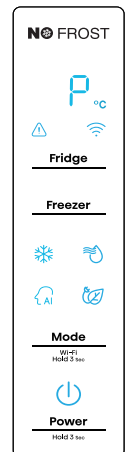
Door deze functie te activeren, wordt het apparaat verwijderd uit alle gekoppelde app-gebruikersaccounts.

Stap 1: Stel het apparaat in op normale werking. Druk ongeveer 3 seconden op de Modus toets. U bent in het menu netwerkverbinding wanneer '---' op het display verschijnt.

Stap 2: Druk binnen 60 seconden op de toets Vriezer om '88' te selecteren.

Stap 3: Druk op de Modus toets om de selectie modus te bevestigen om te ontkoppelen.

Stap 4: Nadat het apparaat is losgekoppeld, komt het automatisch in de distributienetwerkstatus, het Wi-Fi-pictogram knippert en de distributienetwerktijd bedraagt maximaal 5 minuten.

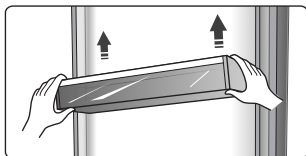


Gebruik van het apparaat

Uw apparaat heeft de accessoires zoals de "Beschrijving van het apparaat" in het algemeen liet zien, met deze gedeeltelijke instructie kunt u de juiste manier krijgen om ze te gebruiken. We raden u aan om deze zorgvuldig door te lezen voordat u het apparaat gebruikt.

Deurrek

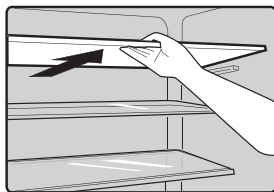
- Het is geschikt voor de opslag van eieren, ingeblikte vloeistof, flessen dranken en verpakt voedsel, enz. Plaats niet te veel zware dingen in de rekken.
- De deurvakken kunnen naar wens op verschillende hoogtes worden geplaatst. Haal het voedsel uit het rek alvorens u het verticaal optilt om het opnieuw te plaatsen.



- Alle deurrekken zijn volledig te verwijderen voor reiniging.

Plateaus in de koelkastruimte

- De schappen in de koelkast kunnen worden verwijderd om te worden schoongemaakt.



Flexibel wijnrek (optioneel)

- Het wordt gebruikt voor het opslaan van flessen wijn of drankjes, en het kan uit worden genomen om schoon te maken.

Opmerking: Plaats de gebottelde wijn of dranken niet direct voor de luchtuitlaat van het windkanaal, dit kan bevrozing veroorzaken.

Koel verslade

- In bepaalde modus zal er een extra freshbox (lade) zijn. In deze lade kunt u een lagere temperatuur krijgen om vis, vlees en ander erodeerbaar voedsel in te bewaren. Normaal gesproken zal het ongeveer 1°C lager zijn dan het andere deel van het verse gedeelte. Er staan enkele aanbevelingen in onderstaande tabel die u kunt raadplegen.

| temp. instelling koelgedeelte | soort voedsel | voorgestelde opslagperiode |
|-------------------------------|---------------|----------------------------|
| 2 of 3 of 4°C | vis of vlees | ≤2 dagen |
| 5 of 6°C | fruit | <2 weken |
| 7 of 8°C | groenten | <5 dagen |

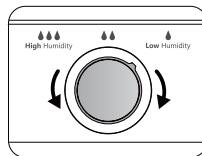
Opmerking: De werkelijke temperatuur van de Koude freshbox kan onder nul liggen, dus is het normaal dat de vloeistof in deze lade bevroren was.

Fruit & Groentelade

- De verslade is geschikt voor opslag van groenten en fruit, enz.

Verslade en vochtigheidsregeling

- U kunt de knop op de groentelade draaien om de vochtigheidsgraad in de groentelade te wijzigen. Als u de knop naar links drukt, krijgt u een hogere luchtvochtigheid waardoor u groente en fruit lang en vers kunt bewaren, naar rechts voor een lagere luchtvochtigheid. Het is bedoeld om de temperatuur van de groentelade te regelen en te voorkomen dat de groente vocht verliest.



Vrieslade

- Het wordt gebruikt voor het bewaren van voedsel dat moet worden ingevroren, inclusief vlees, vis en ijs, enz.

Ijslade

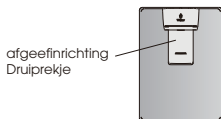
● Wordt gebruikt voor het maken van ijsblokjes. Om ijsblokjes te maken, water vullen in het ijsblokjesbakje en het waterniveau mag de bovenste lijn niet overschrijden (ideaal tachtig procent van het volume van het ijsbakje). Plaats de schaal in het vriesvak en wacht minstens twee uur totdat de ijsblokjes gevormd zijn. Nadat de ijsblokjes zijn gevormd, draait u de lade zachtjes teneinde de ijsblokjes en laden van elkaar te scheiden.



Opmerking: Als de ijslade voor de eerste keer gebruikt wordt of gedurende een lange periode niet gebruikt werd, moet u het voor gebruik schoonmaken.

Waterdispenser (alleen voor apparaten met dispenser)

De waterdispenser, die zich in de koelkastdeur bevindt, dient voor het opslaan van drinkwater. Met dit apparaat kunt u gemakkelijk gekoeld water krijgen zonder de koelkast te openen. U moet de volgende tips nogmaals doorlezen.



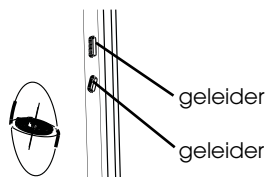
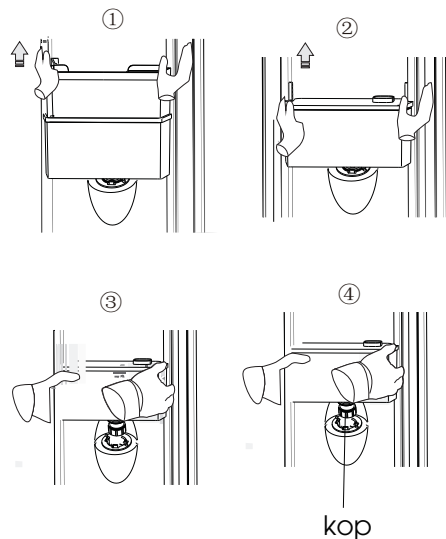
• Alvorens in gebruik te nemen

➤ Vóór de eerste ingebruikname van uw apparaat, moet u het op de volgende instructies baseren.

1. Houd een onderkant van het deurrek met een hand vast, de andere kant optillen met de andere hand, wanneer de sleuf van het deurrek uit de geleiders komt, verander de handen om deze stappen te herhalen.
2. Houd een onderkant van de watertank met een hand vast, de andere kant optillen met de andere hand, wanneer de sleuf van de watertank uit de geleiders, verander de handen om deze stappen te herhalen.
3. Houd beide kanten van de watertank stevig vast, optillen en de watertank uittrekken.
4. De kop losschroeven, vervolgens reinigen en de binnenkant van de watertank.

Let op!

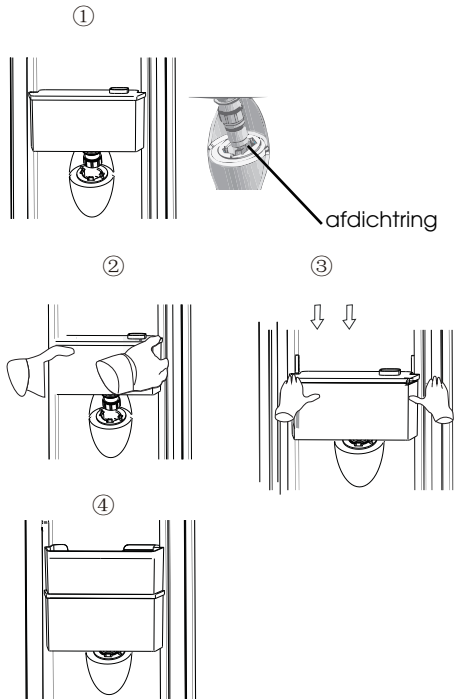
De watertank leeg laten lopen voordat u het uitneemt vervolgens plaatst u ook het middelste schap.



• Monteren

Na het reinigen, monteer de onderdelen met inbegrip van de kop, watertank en deksels als volgt:

1. De afdichting insteken (de afdichting kan niet gedraaid worden), vervolgens de kop in het gat plaatsen.
2. Houd beide zijden van de watertank stevig vast, plaats de watertank langs de geleider op de deur.
3. Duw beide zijden van de watertank naar beneden zoals weergegeven in de afbeelding.
4. Als u een klik hoort op beide zijde en op hetzelfde moment, zijn beiden zijden van de watertank gesloten op de deurlijn, hetgeen betekent dat de installatie is voltooid.



• Water vullen

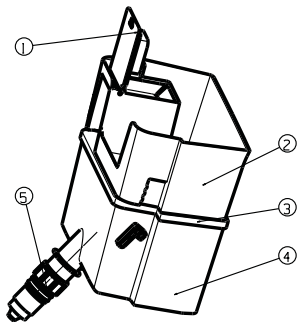
Voordat u het drinkwater in de watertank vult, zorg ervoor dat de watertank stabiel is en in een juiste positie.

Let op!

Water vullen tot 2,5L (wat wordt aangeraden) niet boven het maatstreepje. Anders kan het overlopen wanneer het deksel dicht is.

We raden u aan om het water op de volgende manieren te vullen.

Op het kleine schap en water vullen vanaf de inlaat van het middelste schap.



- ① watertoevoer inlaatdeksel
- ② middelste schap
- ③ waterberging containerdeksel
- ④ waterberging container
- ⑤ kop

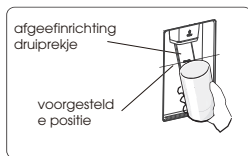
Waarschuwing!

Raak geen andere delen van het apparaat aan bij het vullen van water, aangezien dit waterlekkage kan veroorzaken.

Gaarne het water langzaam vullen of het water zal overstromen.

Water afgeven

- U moet de juiste kopjes gebruiken om water onder de waterdispenser te verkrijgen.



Waarschuwing!

- De hendel van de afgifte-inrichting niet zonder kopje naar voren duwen, het kan veroorzaken dat de afgifte-inrichting gaat lekken.

| Volgorde | Compartimenten Type | Doelopslag temp.(°C) | Geschikt voedsel |
|----------|---------------------|----------------------|-----------------------------------------------------------------------------------------------------------------------------------------------------------------------------------------------------------------------------------------------------------------------------------------------------------|
| 1 | Koelkast | +2~+8 | Eieren, gekookt voedsel, verpakt voedsel, fruit en groenten, zuivelproducten, cake, dranken en andere voedingsmiddelen zijn niet geschikt om in te worden ingevroren. |
| 2 | (***)*-Vriezer | ≤-18 | Zeevruchten (vis, garnalen, schelpdieren), zoetwater aquatische producten en vleesproducten (aanbevolen voor 3 maanden, hoe langer de bewaartijd, hoe slechter de smaak en voeding), geschikt voor ingevroren vers. |
| 3 | ***-Vriezer | ≤-18 | Zeevruchten (vis, garnalen, schelpdieren), zoetwater aquatische producten en vleesproducten (aanbevolen voor 3 maanden, hoe langer de bewaartijd, hoe slechter de smaak en voeding), zijn niet geschikt voor ingevroren vers voedsel. |
| 4 | **-Vriezer | ≤-12 | Zeevruchten (vis, garnalen, schelpdieren), zoetwater aquatische producten en vleesproducten (aanbevolen voor 2 maanden, hoe langer de bewaartijd, hoe slechter de smaak en voeding), zijn niet geschikt voor ingevroren vers voedsel. |
| 5 | *-Vriezer | ≤-6 | Zeevruchten (vis, garnalen, schelpdieren), zoetwater aquatische producten en vleesproducten (aanbevolen voor 1 maand, hoe langer de bewaartijd, hoe slechter de smaak en voeding). |
| 6 | 0-sterren | -6~0 | Vers varkensvlees, rundvlees, vis, kip, sommige verpakte bewerkte voedingsmiddelen, enz. (Aanbevolen om binnen dezelfde dag te worden geconsumeerd, bij voorkeur niet meer dan 3 dagen). Gedeeltelijk verpakt verwerkt voedsel (niet invriesbare levensmiddelen) |
| 7 | Chill | -2~+3 | De consumptie van vers/bevroren varkensvlees, rundvlees, kip, zoetwater aquatische producten, enz. (7 dagen onder 0°C en boven 0°C) wordt aanbevolen op dezelfde dag, bij voorkeur niet meer dan 2 dagen). Zeevruchten (minder dan 0°C gedurende 15 dagen, wordt aanbevolen deze te bewaren boven 0°C) |
| 8 | Vers Voedsel | 0~+4 | Vers varkensvlees, rundvlees, vis, kip, gekookt voedsel, enz. (Aanbevolen om binnen dezelfde dag te worden geconsumeerd, bij voorkeur niet meer dan 3 dagen) |
| 9 | Wijn | +5~+20 | rode wijn, witte wijn, mousserende wijn enz. |

Opmerking: gaarne verschillende gerechten in overeenstemming met de compartimenten of gewenste bewaartemperatuur van uw gekochte producten bewaren.

- Indien het koelapparaat gedurende lange perioden leeg zal staan, deze uitschakelen, onttdooien, reinigen, drogen, en de door open laten staan teneinde schimmelvorming in het apparaat te voorkomen.

Nuttige aanwijzingen en tips

Energiebesparende tips

We raden u aan de onderstaande tips te volgen om energie te besparen.

- Probeer te voorkomen dat de deur lange tijd open te houden om energie te besparen.
- Zorg ervoor dat het apparaat uit de buurt van warmtebronnen wordt geplaatst (Direct zonlicht, elektrische oven of kooktoestel enz)
- De temperatuur niet kouder instellen dan nodig.
- Geen warm voedsel of verdampingsvloeistof in het apparaat bewaren.
- Plaats het apparaat in een goed geventileerde, vochtvrije ruimte. Raadpleeg het hoofdstuk voor het installeren van uw nieuwe apparaat.
- Als het diagram de juiste combinatie voor de laden, verslade en plateaus weergeeft, moet u deze combinatie niet wijzigen, aangezien dit is ontworpen voor de beste configuratie voor het energieverbruik.

Tips voor het koelen van vers voedsel

- Geen warm voedsel direct in de koelkast of vriezer plaatsen, de binnentemperatuur zal stijgen wat resulteert dat de compressor harder moet werken en meer energie zal verbruiken.
- Bedek of wikkel het voedsel in in het bijzonder wanneer het een sterke geur heeft.
- Het voedsel op de correcte manier plaatsen, zodat er lucht rondom kan circuleren.

Tips voor het koelen

- Vlees (Alle Soorten) verpakken in polyethyleen: verpakken en op de glazen plaat op het schap boven de groeten en fruitlade plaatsen. Volg altijd de opslagtijden van levensmiddelen en de door de fabrikanten voorgestelde data.
- Gekookt eten, koude gerechten, enz.: Ze zouden moeten worden bedekt en kunnen op elke plank worden geplaatst.
- Groenten en fruit: Ze moeten opgeslagen worden in de speciale lade.
- Boter en kaas: Moet worden verpakt in luchtdichte folie of gewikkeld in plastic folie.

- Melkflessen: Moeten een deksel hebben en in de deurrekken worden opgeslagen.

Tips voor het invriezen

- Voor het eerste opstarten of na een periode van buitengebruik, laat het apparaat voor tenminste 2 uren draaien op de hoogste instelling, voordat u voedsel in het compartiment plaatst.
- Bereid voedsel voor in kleine porties om het snel en compleet in te vriezen en om het mogelijk te maken om vervolgens slechts de benodigde hoeveelheid te ontdooiden.
- Wikkel het voedsel in aluminiumfolie of polyethyleen die luchtdicht zijn.
- Sta niet toe dat vers, niet ingevroren voedsel in aanraking komt met reeds ingevroren voedsel, teneinde te voorkomen dat de temperatuur daarvan gaat stijgen.
- Bevroren producten, indien deze onmiddellijk na het verwijderen van het vriesvak geconsumeerd worden, kunnen waarschijnlijk leiden tot vries brandwonden op de huid.
- Het wordt aanbevolen om het soort voedsel en de datum op elk bevroren pakket te noteren, teneinde de opslagtijd bij te houden.

Tips voor de opslag van bevroren voedsel

- Zorg ervoor dat bevroren voedsel correct door de supermarkt is opgeslagen.
- Eenmaal ontdooit, zal voedsel snel verslechteren en mag niet opnieuw worden ingevroren. De opslagperiode die door de voedselafabrikant is aangegeven, mag niet overschreden worden.

Uitschakelen van uw apparaat

Als het apparaat voor een langere periode moet worden uitgeschakeld, dienen de volgende stappen dienen te worden genomen om schimmel op het apparaat te voorkomen.

1. Verwijder al het voedsel.
2. De stekker uit het stopcontact trekken.
3. De binnen goed reinigen en drogen.
4. Zorg ervoor dat alle deuren wijd open zijn om lucht te laten circuleren.

Reinigen en onderhoud

Om hygiënische redenen moet het apparaat (met inbegrip van exterieur en interieur accessoires) regelmatig worden gereinigd (tenminste iedere twee maanden).

Waarschuwing!

- Het apparaat mag niet worden aangesloten op het elektriciteitsnet tijdens het reinigen aangezien er gevaar van elektrische schokken bestaat. Vóór het reinigen het apparaat uitschakelen en de stekker uit het stopcontact trekken.

Behuizing reinigen

- Om een goede uitstraling van uw apparaat te behouden, moet u het regelmatig reinigen.
- Het bedieningspaneel met een schone, zachte doek afvegen.
- Water op de reinigingsdoek spuiten in plaats van direct op het oppervlak van het apparaat te spuiten. Dit zorgt voor een gelijkmatige verdeling van vocht aan het oppervlak.
- De deuren, handgrepen en oppervlakken van de behuizing met een mild reinigingsmiddel reinigen en vervolgens met een zachte doek drogen.



Let op!

- Geen scherpe voorwerpen gebruiken aangezien ze het oppervlak waarschijnlijk zullen krassen.
- Geen verdunner, auto reinigingsmiddel, Clorox, etherische olie, schuurmiddelen of organisch oplosmiddel, zoals benzeen gebruiken voor het reinigen. Ze kunnen

het oppervlak van het apparaat beschadigen en brand kunnen veroorzaken.

Binnenkant reinigen

- U moet de binnenkant van het apparaat regelmatig reinigen. Het is makkelijker te reinigen wanneer de voedselvoorraden laag zijn. Veeg de binnenkant van de koelkast met een zwakke oplossing van natriumbicarbonaat af, en afspoelen met warm water en een uitgewrongen spons of doekje. Helemaal droog maken voor het vervangen van de schappen en manden. Alle oppervlaktes en verwijderbare onderdelen grondig drogen voordat u ze weer teruggeplaatst.



- Hoewel dit apparaat automatisch ontdooit, kan een laagje rijp vaak voorkomen op het interieur van het vriesvak of als het te lang geopend wordt of open blijft staan. Als het rijp te dik is, kies een tijd wanneer de vriezer bijna leeg is en ga als volgt te werk:
 1. Verwijder bestaande voedings- en accessoiresmandjes, de stekker uit het stopcontact trekken en de deuren open laten. Ventileer de kamer grondig om het ontdooien te versnellen.
 2. Wanneer het ontdooien is voltooid, reinig de vriezer zoals hierboven beschreven.

Let op!

- Geen scherpe voorwerpen gebruiken om rijp van het vriesvak te verwijderen. Pas nadat het interieur helemaal droog is, moet het apparaat weer worden ingeschakeld en de stekker weer in het stopcontact steken.

Deurafdichtingen schoonmaken

- Zorg ervoor dat deurrubbers schoon blijven. Kleverig eten en drinken kunnen ervoor zorgen dat afdichtingen aan de behuizing kleven en scheuren wanneer u de deur opent. Was de afdichting met een mild reinigingsmiddel en warm water. Afspoelen en het goed drogen na het reinigen.

Let op!

- Pas nadat de deurafdichtingen helemaal droog zijn, moet het apparaat aan worden ingeschakeld.

Vervangen van het LED-lampje:**Waarschuwing:**

- Het LED-lampje moet door een bevoegde persoon vervangen worden. Als het LED-lampje beschadigd is, neemt u contact op met de klantenservice voor assistentie. Voor het vervangen van het LED-lampje, moet u de onderstaande stappen uitvoeren:

1. De stekker van het apparaat uit h stopcontact trekken.
2. Verwijder de lamp deksel door h omhoog te duwen.
3. Houd de LED deksel met één ha vast en trek het met de andere kant terwijl u de connector vergrendeld.
4. Vervang het LED-lampje en klik h goed in de plaats.

Opmerking: Dit product bevat een lichtbron met energie-efficiëntieklasse <G>.

Reiniging afgeefinrichting voor water (speciaal voor afgeefinrichting voor water producten):

- Reinig watertanks wanneer deze 48 uur niet zijn gebruikt; en spoel het watersysteem aangesloten op een watertoevoer indien er gedurende 5 dagen geen water is doorgespoeld.

Probleemoplossing

Indien u een probleem met uw apparaat ervaart of bezorgd bent dat het apparaat niet goed functioneert, kunt u een aantal makkelijke controles uitvoeren voordat u assistentie aanvraagt, zie hieronder.

Waarschuwing! Het apparaat niet zelf proberen te repareren. Als het probleem aanhoudt nadat u alle onderstaande controles heeft uitgevoerd, moet u contact opnemen met een gekwalificeerde elektricien, geautoriseerde service engineer of de winkel waar u het product heeft gekocht.

| Probleem: | Mogelijke oorzaak & Oplossing |
|--------------------------------------|-------------------------------------------------------------------------------------------------------------------------------------------------------------------------------------------------------------------------------------------------------------------------------------------------------------------------------------------------------------------------------------------------------------------------------------------------------------------------------------------------------------------------------------------------------------------------------------------------------------------------------------------------------------------------------------------------------------------------------------------------------------|
| Het apparaat werkt niet naar behoren | <ul style="list-style-type: none">➤ Controleer of het netsnoer goed is aangesloten op het stopcontact.➤ Controleer de zekering of de stroomkring van uw netvoeding, indien nodig vervangen.➤ De omgevingstemperatuur is te laag. Probeer de kamertemperatuur op een lagere temperatuur te zetten om dit probleem op te lossen.➤ Het is normaal dat de vriezer niet werkt om de compressor te beschermen tijdens de automatische ontdooicyclus of gedurende een korte tijd nadat het apparaat is ingeschakeld. |
| Geuren uit de compartimenten | <ul style="list-style-type: none">➤ Het interieur moet mogelijk worden gereinigd.➤ Sommige voedsel, containers of verpakkingen veroorzaken geuren. |
| Lawaai van het apparaat | <p>De geluiden hieronder zijn vrij normaal:</p> <ul style="list-style-type: none">➤ Draaiende compressor geluiden.➤ Luchtbewegingsgeluid van de kleine ventilatormotor in de koelkastruimte of andere compartimenten.➤ Gorgelend geluid vergelijkbaar met water koken.➤ Poppend geluid tijdens automatische ontdooiing.➤ Klikgeluid voordat de compressor start. <p>Andere ongewone geluiden zijn te wijten aan de volgende redenen en het kan nodig zijn om dit te controleren en actie te ondernemen:</p> <ul style="list-style-type: none">➤ De behuizing is niet waterpas.➤ De achterkant van het apparaat raakt de muur.➤ Flessen of containers stoten tegen elkaar. |
| De motor draait continu | <p>Het is normaal om vaak het geluid van de motor te horen, het zal in de volgende omstandigheden meer moeten draaien:</p> <ul style="list-style-type: none">➤ Temperatuurinstelling wordt kouder ingesteld dan nodig.➤ In het apparaat is onlangs een grote hoeveelheid warm voedsel opgeslagen.➤ De temperatuur buiten het apparaat is te hoog.➤ Deuren worden te lang of te vaak geopend.➤ Nadat u het apparaat hebt geïnstalleerd of het voor lange tijd is uitgeschakeld. |

| Probleem: | Mogelijke oorzaak & Oplossing |
|------------------------------------------------|--------------------------------------------------------------------------------------------------------------------------------------------------------------------------------------------------------------------------------------------------------------------------------------------------------------------|
| Een laag rijp treedt op in het compartiment | ➤ Controleer of de ventilatie-openingen niet door voedsel geblokkeerd zijn en zorg ervoor dat voedsel in het apparaat geplaatst is om voldoende ventilatie mogelijk te maken. Zorg ervoor dat de deur volledig gesloten kan worden. Raadpleeg het hoofdstuk over reiniging en onderhoud om het ijs te verwijderen. |
| Temperatuur aan de binnenkant is te warm | ➤ U heeft mogelijk de deuren te lang of te vaak geopend; of de deuren worden door een obstakel open gehouden; of het apparaat heeft onvoldoende speling aan de zijkant, achterkant en bovenkant. |
| Temperatuur aan de binnenkant is te koud | ➤ Verhoog de temperatuur door het hoofdstuk "Bedieningspaneel" te volgen. |
| Deuren kunnen niet gemakkelijk worden gesloten | ➤ Controleer of de bovenkant van de koelkast naar achteren is gekanteld met 10-15mm om de deur zelf te laten sluiten, of als iets binnenin voorkomt dat de deuren kunnen sluiten. |

Afdanken van het apparaat

Het is verboden om dit apparaat af te voeren als huishoudelijk afval.

Verpakkingsmaterialen

Verpakkingsmateriaal met het recycle symbool zijn recyclebaar. Verwijder de verpakking in een geschikte afvalverzamelbak om deze te recyclen.

Alvorens het afdanken van het apparaat

1. De stekker uit het stopcontact trekken.
2. Het netsnoer afsnijden en samen weggooien met de stekker.

Waarschuwing! Koelkasten bevatten koelmiddel en gassen in de isolatie. Koelmiddel en gassen moeten professioneel worden afgevoerd, omdat ze oogletsel of ontsteking kunnen veroorzaken. Zorg ervoor dat leidingen van het koelcircuit niet beschadigd raken voorafgaand aan het afdanken.

| Correcte verwijdering van dit product | |
|------------------------------------------------------------------------------------|--------------------------------------------------------------------------------------------------------------------------------------------------------------------------------------------------------------------------------------------------------------------------------------------------------------------------------------------------------------------------------------------------------------------------------------------------------------------------------------------------------------------------------------------------------------------------------------------------------------------------------------------------------------------------------------------------------------------------------------------------------------------------|
|  | <p>Het symbool op het product of op de bijbehorende documentatie geeft aan dat dit product niet als huishoudelijk afval mag worden behandeld. In plaats daarvan moet het worden afgegeven bij een verzamelpunt voor recycling van elektrische en elektronische apparaten. Door ervoor te zorgen dat dit product correct wordt verwijderd, voorkomt u mogelijke negatieve gevolgen voor het milieu en de menselijke gezondheid, die anders zou kunnen worden veroorzaakt door het onjuiste afvalverwerking van dit product. Voor nadere informatie over de behandeling, terugwinning en recycling van dit product wordt u verzocht contact op te nemen met het stadskantoor in uw woonplaats, uw afvalophaaldienst of de winkel waar u het product heeft aangeschaft.</p> |

Hisense

life reimagined

MANUAL DE OPERAÇÃO DO USUÁRIO

Antes de operar esta unidade, leia atentamente este manual e guarde para consultas futuras

PT

Português

Conteúdo

| | |
|---------------------------------------|----|
| Informações de segurança e aviso..... | 3 |
| Instalar o seu novo aparelho..... | 12 |
| Descrição do aparelho..... | 15 |
| Painel de controle..... | 17 |
| Utilizar o seu aparelho..... | 21 |
| Sugestões e dicas úteis..... | 25 |
| Limpeza e cuidados..... | 26 |
| Resolução de problemas..... | 28 |
| Eliminação do aparelho..... | 29 |

Informações de segurança e aviso

Sua segurança e a segurança dos outros são muito importantes.

Fornecemos muitas mensagens importantes de segurança neste manual e no seu aparelho. Leia e cumpra sempre todas as mensagens de segurança.



Este é o símbolo de alerta de segurança.

Este símbolo alerta-o sobre possíveis perigos que podem matar ou causar ferimentos a si e a outras pessoas. Todas as mensagens de segurança são acompanhadas pelo símbolo de alerta de segurança e a palavra "PERIGO", "AVISO" ou "CUIDADO".

Estas palavras significam:

PERIGO

Uma situação iminentemente perigosa. Você pode morrer ou se ferir gravemente se não seguir imediatamente as instruções.

AVISO

Uma situação potencialmente perigosa que, se não for evitada, poderá resultar em morte ou lesões graves.

CUIDADO

Uma situação potencialmente perigosa que, se não for evitada, poderá resultar em lesões moderadas ou leves.

Todas as mensagens de segurança informam qual é o potencial de risco, como reduzir a chance de lesões e o que pode acontecer se as instruções não forem seguidas.



Informações de segurança e aviso

Para sua segurança e uso correcto, antes de instalar e usar o aparelho, leia este manual de utilizador cuidadosamente, incluindo as suas sugestões e avisos. Para evitar erros e acidentes desnecessários, é importante assegurar-se que todas as pessoas a usar o aparelho estão completamente familiares com a sua operação e funcionalidades de segurança. Guarde estas instruções e certifique-se de que elas permanecem com o aparelho se for movido ou vendido, de modo que qualquer pessoa que o utilize ao longo de sua vida, será devidamente informada sobre o uso e os avisos de segurança.

Para a segurança de vidas e propriedades, mantenha as precauções destas instruções do usuário como o fabricante não é responsável por danos causados por omissão.

Segurança para crianças e outras pessoas vulneráveis

- De acordo com o padrão EN

Este aparelho pode ser utilizado por crianças com idade igual ou superior a 8 anos e pessoas com capacidades físicas, sensoriais ou mentais reduzidas ou falta de experiência e conhecimento, se tiverem recebido supervisão ou instruções relativas ao uso do aparelho de forma segura e que tenham compreensão dos riscos envolvidos. As crianças não devem brincar com o aparelho. A limpeza e a manutenção do utilizador não devem ser feitas por crianças sem supervisão. Crianças com idade entre 3 e 8 anos podem carregar e descarregar aparelhos de refrigeração.

- De acordo com o padrão IEC

Este aparelho não está destinado a ser usado por pessoas (incluindo crianças) com capacidades físicas, sensoriais ou mentais reduzidas ou falta de experiência e conhecimento, a não ser que tenham supervisão ou instruções relativas ao uso deste aparelho por uma pessoa responsável pela sua segurança.

- Crianças devem ser supervisionadas para garantir que não brinquem com o aparelho.
- Mantenha todas as embalagens fora do alcance das crianças porque há o risco de asfixia.
- Se for eliminar o aparelho, puxe a ficha para fora da tomada, corte o cabo de conexão (tão perto do aparelho quanto possível) e remova a porta para prevenir que crianças a brincar sofram de choques eléctricos ou se fechem dentro.
- Se este aparelho, com selos de porta magnética, é para substituir um aparelho antigo com fechos de mola (trava) na porta ou tampa, assegure-se que os fechos de mola são inutilizáveis antes de eliminar o aparelho antigo. Isto irá prevenir que o aparelho se torne uma armadilha fatal para uma criança.



Segurança geral

- AVISO — Este aparelho destina-se a ser utilizado em aplicações domésticas e similares, tais como -áreas de cozinha em lojas, escritórios e outros ambientes de trabalho;
-casas de quintas e por clientes em hotéis, motéis e outros ambientes de tipo residencial;
-ambientes do tipo de cama e café da manhã;
-restauração e aplicações similares não varejistas.
- AVISO — Não guarde substâncias explosivas tais como latas de aerossol com um propulsor inflamável no aparelho.
- AVISO — Se o cabo de alimentação estiver danificado, ele deve ser substituído pelo fabricante, agente de assistência ou técnico qualificado, a fim de evitar situações de risco.
- AVISO — Mantenha a ventilação aberta, no gabinete do aparelho ou na estrutura incorporada, sem obstrução.
- AVISO — Não utilize dispositivos mecânicos ou outros meios para acelerar o processo de descongelação, exceto os recomendados pelo fabricante.
- AVISO — Não danifique o circuito de refrigeração.
- AVISO — Não utilize aparelhos eléctricos no interior dos compartimentos de armazenamento de alimentos do aparelho, a menos que sejam do tipo recomendado pelo fabricante.
- AVISO — O refrigerante e o gás de sopro de isolamento são inflamáveis. Ao descartar o aparelho, faça a eliminação apenas num centro de eliminação de resíduos autorizada. Não exponha-o ao fogo.
- AVISO — Ao posicionar o aparelho, assegure-se que o cabo de alimentação não está preso ou danificado.

- AVISO — Não coloque várias saídas de tomada portátil ou fontes de energia portáteis atrás do aparelho.
- AVISO — O alimento precisa ser embalado antes de ser colocado na geladeira, e os líquidos precisam ser acondicionados em garrafas ou recipientes para permitir uma limpeza correta do produto.



O símbolo é um aviso e indica que o refrigerante e o gás de isolamento são inflamáveis.

Aviso: Risco de incêndio / materiais inflamáveis

Substituir as lâmpadas de iluminação

- AVISO — As lâmpadas não devem ser substituídas pelo utilizador! Se as lâmpadas estiverem danificadas, contacte a linha de apoio ao cliente para assistência. Este aviso é apenas para refrigeradores com lâmpadas.

Refrigerante

O refrigerante isobuteno (R600a) está contido no circuito refrigerante do aparelho, um gás natural com um alto nível de compatibilidade ambiental, que é, no entanto, inflamável. Durante o transporte e a instalação do aparelho, certifique-se de que nenhum dos componentes do circuito refrigerante seja danificado.

O refrigerante (R600a) é inflamável.

- AVISO — Refrigeradores contêm refrigerante e gases na isolação. Refrigerante e gases devem ser eliminados profissionalmente pois podem causar danos oculares ou ignições. Assegure-se que a tubagem do circuito de refrigerante não está danificada antes da eliminação apropriada.



AVISO: risco de fogo

Se o circuito refrigerante deve ser danificado:

- Evite chamas nuas e fontes de ignição.
- Ventile completamente a sala em que o aparelho está situado.

É perigoso alterar as especificações ou modificar este produto de qualquer forma.

Quaisquer danos ao cabo podem causar um curto circuito, fogo e/ou choque elétrico.



Segurança elétrica

- O cabo de alimentação não deve ser esticado.
- Assegure-se que a tomada não está esmagada ou danificada. Uma tomada esmagada ou danificada podem sobreaquecer e causar um fogo.
- Certifique-se que você pode acessar a ficha principal do aparelho.
- Não puxe o cabo principal.
- Se o soquete do plugue de energia estiver solto, não insira o plugue de energia. Existe o risco de choque elétrico ou incêndio.
- Você não deve operar o aparelho sem a tampa da lâmpada de iluminação interior.
- O frigorífico só é aplicado com a alimentação de corrente alternada monofásica de 220~240V/50Hz. Se a flutuação de voltagem no distrito do utilizador for tão grande que a voltagem excede a gama acima, por segurança, assegure-se que usa A.C. Regulador de voltagem automático de mais de 350W no geladeira. O geladeira deve utilizar uma tomada de energia especial em vez de uma comum com outros aparelhos elétricos. A sua ficha deve corresponder à tomada com fio terra.

Uso diário

- Não armazene gases ou líquidos inflamáveis neste aparelho, há risco de explosão.
- Não opere nenhum aparelho eléctrico no aparelho (por exemplo, máquinas eléctricas de fazer gelado, batedeiras, etc.).
- Ao desligar o aparelho, sempre puxe o plugue da tomada, não arraste o cabo.
- Não coloque itens quentes perto dos componentes de plástico deste aparelho.
- Não coloque produtos alimentares directamente contra a saída de ar na parede traseira.
- Guarde alimentos congelados pré-embalados de acordo com as instruções do fabricante de alimentos congelados.
- As recomendações de armazenagem dos fabricantes de aparelhos devem ser seguidas rigorosamente. Consulte instruções relevantes para armazenagem.
- Não coloque bebidas gaseificadas no compartimento de congelamento porque cria pressão no recipiente, o que pode causar explosões, resultando em danos no aparelho.
- Alimentos congelados podem causar queimadura por geada se forem consumidos directamente do congelador.
- Não coloque o aparelho sob a luz solar directa.
- Mantenha as velas, lâmpadas e outros itens com chamas nuas longe do aparelho, para não incendiar o aparelho.
- Este aparelho está destinado ao armazenamento de alimentos e/ou bebidas numa casa normal como explicado neste livro de instruções. O aparelho é pesado. O aparelho é pesado. Deve tomar cuidado ao movê-lo.

- Não remova nem toque nos objectos do compartimento do congelador se as suas mãos estiverem húmidas/molhadas, pois pode causar feridas na pele ou queimaduras de gelo/congelador.
- Nunca utilize a base, as gavetas, as portas etc. para se sustentar ou como suportes.
- Os alimentos congelados não devem ser congelados de novo uma vez que foram descongelados.
- Não consome picadinhos de gelo ou cubos de gelo diretamente do congelador, pois isso pode causar queima de congelação na boca e nos lábios.
- Para evitar que os itens caiam e causem ferimentos ou danos ao aparelho, não sobrecarregue as prateleiras da porta ou coloque muita comida nas gavetas.
- Este aparelho de refrigeração não se destina a ser usado como um aparelho embutido.



Cuidado!

Cuidados e limpeza

- Antes da manutenção, desligue o aparelho e desconecte a ficha da tomada.
- Não limpe o aparelho com objetos de metal, dispositivo de limpeza de vapor, óleos etéreos, solventes orgânicos ou produtos de limpeza abrasivos.
- Não use objetos pontiagudos para remover o gelo do aparelho. Use uma espátula de plástico.

Instalação Importante!

- Para a ligação eléctrica com cuidado, siga as instruções dadas neste manual.
- Desembale o produto e verifique se há algum dano no mesmo. Não ligue o aparelho se estiver danificado. Informe possíveis danos imediatamente ao local onde você comprou o aparelho. Neste caso, mantenha a embalagem.

- É aconselhável esperar pelo menos quatro horas antes de conectar o aparelho para permitir que o óleo flua de volta no compressor.
- Deve ter circulação de ar adequada em volta do aparelho, a falta disto pode levar ao sobreaquecimento. Para conseguir uma ventilação suficiente, siga as instruções relevantes para a instalação.
- Sempre que possível, a parte traseira do produto não deve estar muito perto duma parede para evitar tocar ou pegar partes quentes (compressor, condensador) para evitar o risco de incêndio, siga as instruções relevantes para a instalação.
- O aparelho não deve ser localizado perto de radiadores ou fogões.
- Assegure-se que a ficha principal está acessível depois da instalação do produto

Serviço

- Qualquer trabalho elétrico necessário para fazer a manutenção do aparelho deve ser realizado por um eletricista qualificado ou pessoa competente.
- Este produto deve ser mantido pelo Centro de autorizado e Serviço apenas partes genuínas podem ser usadas.
 1. Se o aparelho estiver Livre de Gelo.
 2. Se o aparelho contiver o compartimento congelador.

Para evitar a contaminação dos alimentos, respeite as seguintes instruções

- Abrir a porta durante longos períodos pode causar um aumento significativo da temperatura nos compartimentos do aparelho.
- Limpe regularmente as superfícies que possam entrar em contacto com alimentos e sistemas de drenagem acessíveis.
- Guarde carne e peixe crus em recipientes adequados no refrigerador, para que não fiquem em contacto ou pinguem sobre outros alimentos.
- Os compartimentos de comida congelada de duas estrelas são adequados para guardar alimentos pré-congelados, guardar ou fazer gelados e fazer cubos de gelo.
- Compartimentos de uma, duas e três estrelas não são adequados para o congelamento de alimentos frescos.

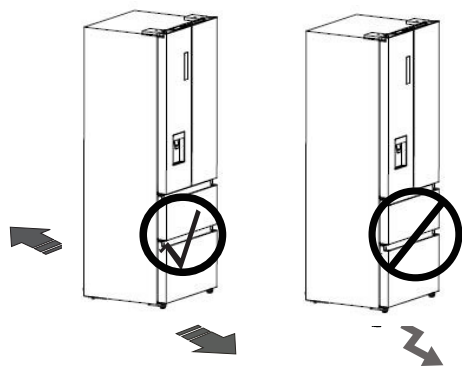
Instalar o seu novo aparelho

Antes de usar o aparelho pela primeira vez, você deve ser informado das seguintes dicas.

Aviso!

Para uma instalação adequada, este refrigerador deve ser colocado em uma superfície nivelada de material rígido que tenha a mesma altura que o restante do piso. Esta superfície deve ser forte o suficiente para suportar um refrigerador totalmente carregado.

Os rolos, que não são rodízios, devem ser usados apenas para movimento para frente ou para trás. Mover o refrigerador lateralmente pode danificar sua parte inferior e os rolos.

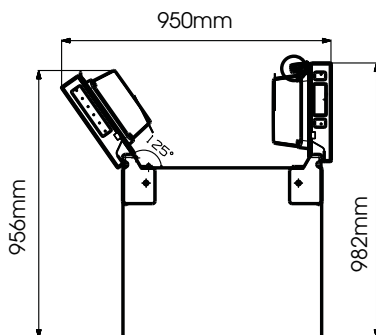
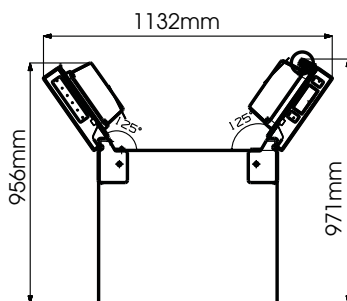
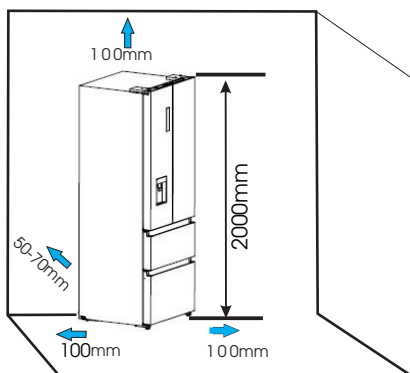


! Ventilação do aparelho

Para melhorar a eficiência do sistema de refrigeração e economizar energia, é necessário manter uma boa ventilação em torno do aparelho para a dissipação do calor. Por essa razão, um espaço limpo o suficiente deve estar disponível em volta do refrigerador.

Sugestão:

É aconselhável que haja um espaço de 50-70mm desde a parte traseira até à parede e pelo menos 100mm desde o seu topo. Pelo menos 100mm do lado até à parede e um espaço na frente para permitir que as portas abram 130°. Como mostrado nos diagramas a seguir.



Nota:

- Este aparelho funciona bem de SN para T
- O aparelho pode não funcionar corretamente se for deixado por um período mais longo a uma temperatura acima ou abaixo do intervalo indicado.

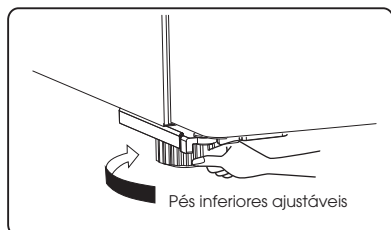
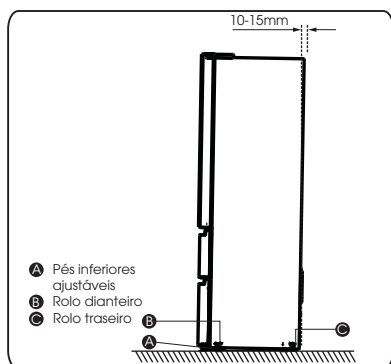
| Classe climática | Temperatura ambiente |
|------------------|----------------------|
| SN | +10 °C a +32 °C |
| N | +16 °C a +32 °C |
| ST | +16 °C a +38 °C |
| T | +16 °C a +43 °C |

- Coloque o aparelho num local seco para evitar umidade alta.
- Manter o aparelho fora de luz directa do sol chuva e gelo. Coloque o aparelho fora de fontes de aquecimento como fornos, fogos e aquecedores.

Nivelamento do aparelho

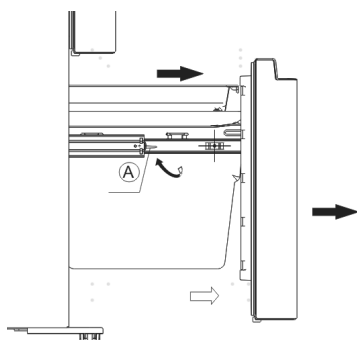
Para um nivelamento suficiente e circulação de ar na parte inferior traseira do aparelho, os pés precisam de ser ajustados. Você pode ajustá-los manualmente à mão ou com uma chave adequada.

Para permitir que as portas se fechem, incline o topo para trás por 10-15mm.

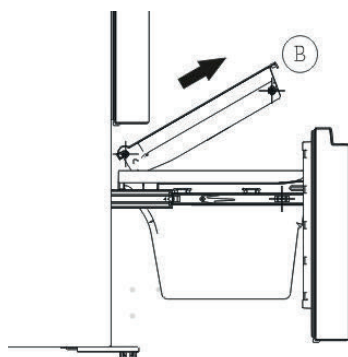


Desmontar a gaveta do congelador

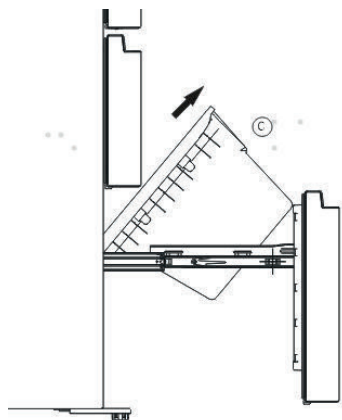
1. O compartimento congelador possui uma gaveta superior, uma gaveta mais inferior, dois tabuleiros e uma caixa de gelo;
2. Abra a porta do congelador; Puxe o bloco de ajuste (A) ao longo das guias deslizantes, e puxe a gaveta do congelador (A) para fora até a posição final.



3. Retire o tabuleiro (B), levantando-o para cima na direção da seta.



4. Remova a gaveta do congelador inferior (C) através de levantá-la.

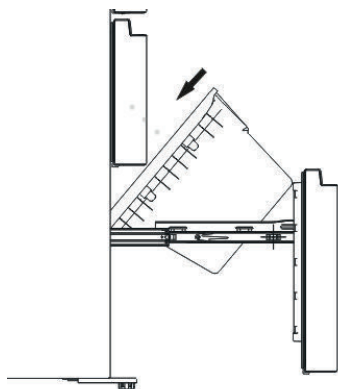


Reinstalação da gaveta do congelador

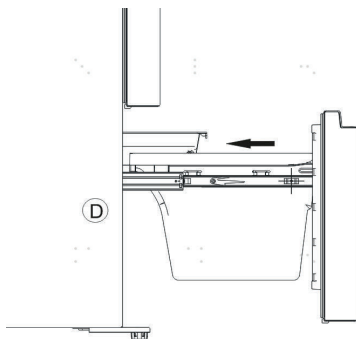
Para reconectar a gaveta depois de mover o aparelho para a sua localização final, monte as peças pela ordem inversa.

A instalação da gaveta inferior

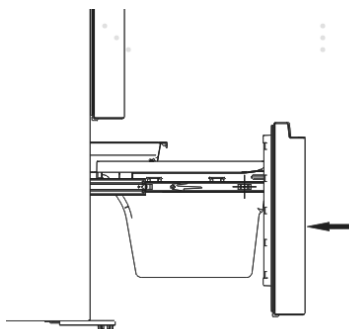
1. Empurrar a gaveta inferior para baixo até à posição final na direção da seta.



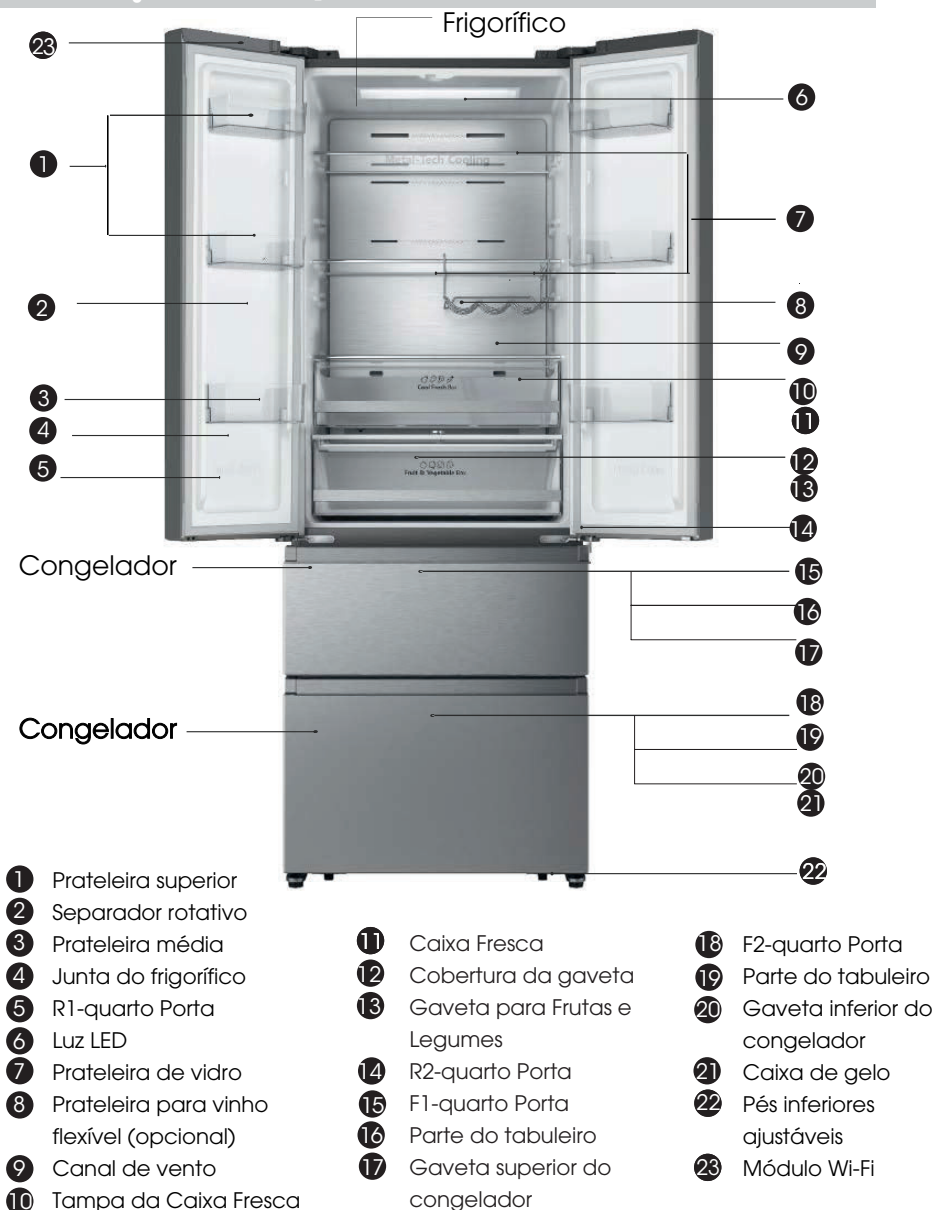
2. Coloque tabuleiro na gaveta, empurre-a e certifique-se que os roletes do tabuleiro estão nos carretes do congelador (D).



3. Empurre a porta do congelador ao longo da seta e fechá-lo.



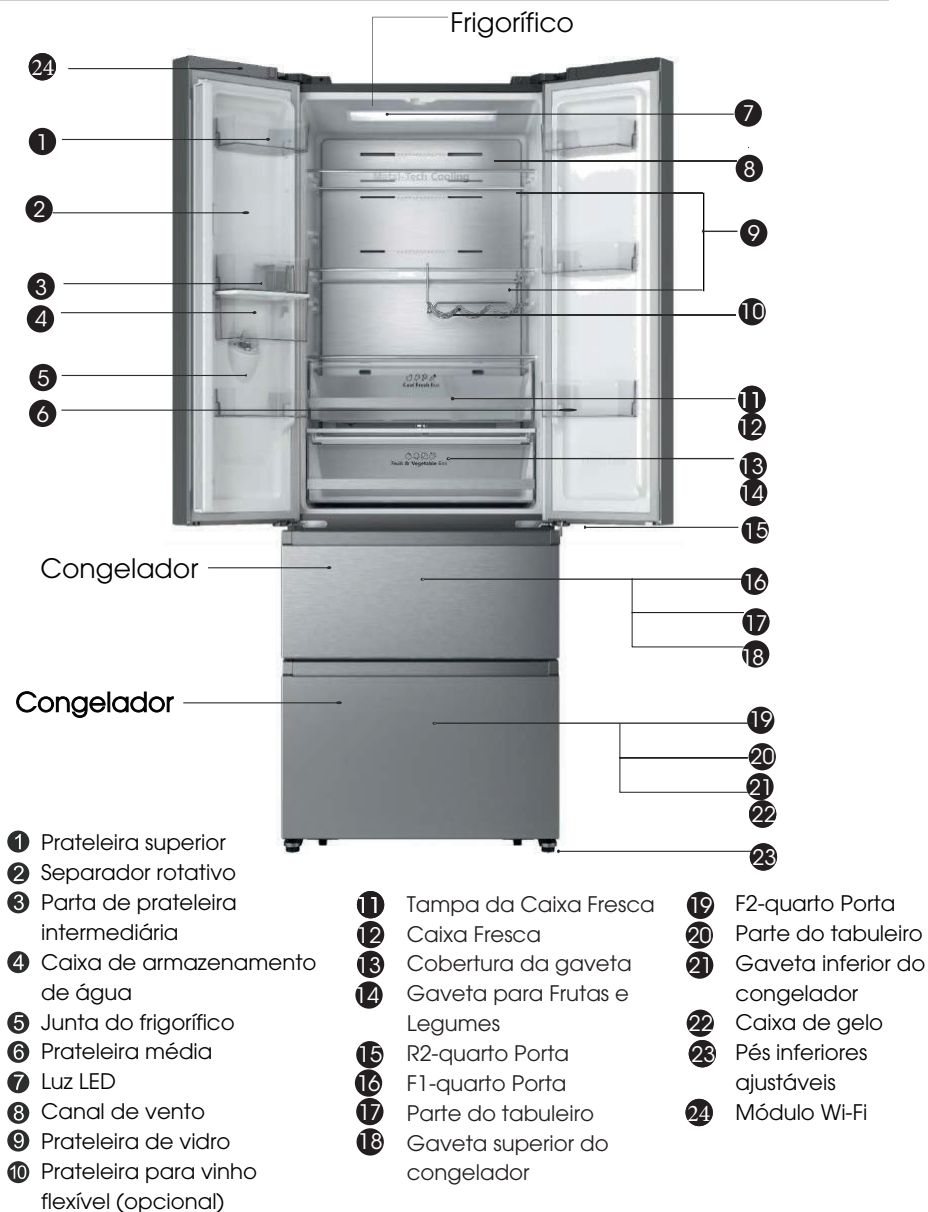
Descrição do aparelho



Nota: Seu modelo pode parecer diferente desta e de outras imagens neste manual, dependendo dos recursos dele.

Nota: Para obter a melhor eficiência energética deste produto, coloque todas as prateleiras e gavetas na posição original, conforme a ilustração acima.

Descrição do aparelho



Nota: Seu modelo pode parecer diferente desta e de outras imagens neste manual, dependendo dos recursos dele.

Nota: Para obter a melhor eficiência energética deste produto, coloque todas as prateleiras e gavetas na posição original, conforme a ilustração acima.

Painel de controle

Utilize o seu aparelho de acordo com os seguintes regulamentos de controle, o seu aparelho possui as funções e modos correspondentes, conforme mostrado nos painéis de controle nas imagens abaixo.



NOTA

- Assim que o eletrodoméstico estiver ligado à fonte de alimentação elétrica, todos os ícones no painel do ecrã acender-se-ão durante 3 segundos, acompanhados por um sinal sonoro.
- Todos os ícones desligar-se-ão se nenhuma das teclas for tocada e todas as portas permanecerem fechadas por um minuto.
- O painel de controlo acender-se-á quando a porta do frigorífico estiver aberta ou quando tocar em qualquer botão.

Cuidado!

A temperatura só significa a temperatura média de todo o compartimento do frigorífico. As temperaturas no interior de cada compartimento podem variar das exibidas no painel, dependendo dos alimentos que tiver guardados e de onde colocar o frigorífico. Além disso, a temperatura real do compartimento superior para o compartimento inferior será diferente.

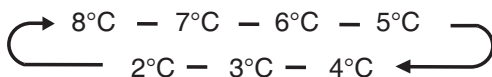
NOTA: A configuração do frigorífico para funcionar a alta temperatura acelerará a decomposição dos alimentos. Para a preservação ideal dos alimentos, recomendamos que, quando liga o frigorífico pela primeira vez, a temperatura do frigorífico seja definida para 4°C, e que a temperatura do congelador seja definida -18°C.

⚠ Alarme de porta

Se a porta do frigorífico permanece aberta por mais de 2 minutos, isto espoletará o alarme da porta. O ícone "⚠" começa a piscar e o sinal sonoro soa 3 vezes por minuto. Ao fechar todas as portas, o ícone "⚠" disparará e o sinal sonoro parará. Além disso, o alarme da parte parará automaticamente decorridos 10 minutos.

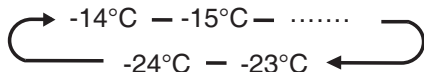
Fridge Definição da Temperatura do Frigorífico

Toque na tecla "Fridge" para ativar a função de definição da temperatura do frigorífico. Após isso, toque na tecla continuamente, a temperatura será definida segundo a seguinte sequência:



Freezer Definição da Temperatura do Congelador

Toque na tecla "Freezer" para ativar a função de definição da temperatura do congelador. Após isso, toque na tecla continuamente, a temperatura será definida segundo a seguinte sequência:



Mode Configuração de modo

Wi-Fi
Hold 3 Sec

De cada vez que premir o botão "Mode", o modo frigorífico sairá do modo atual (caso contrário, comece no Difuso), e alterna entre Fuzzy – Super Freeze – Super Cool – Energy Saving – Fuzzy 4 modos de cada vez, a luz do ícone correspondente acende-se e a temperatura na área do ecrã exibe a correspondente temperatura definida. Saia do modo relevante quando configurar a temperatura do frigorífico e do congelador.

Difuso

O frigorífico funciona da forma que é mais indicada para a preservação e armazenamento dos alimentos.

NOTA: No modo Difuso, as temperaturas definidas do compartimento do frigorífico e do compartimento do congelador são 4°C e -18°C, respetivamente.

Super Congelamento

Utilize este método quando quiser congelar rapidamente alimentos que acabou de colocar no congelador.

NOTA: Se for necessário utilizar a capacidade de congelamento de acordo com a placa de identificação, ligue o super congelamento pelo menos 24 horas antes de os produtos frescos serem colocados no compartimento do congelador. No modo Super Freeze, a temperatura definida do compartimento do congelador é de -24°C. O compartimento do frigorífico ainda opera à temperatura definida antes de entrar no modo Super Freeze e sai automaticamente decorridas 52 horas de operação.

Super Fresco

Este modo pode ser utilizado quando quiser arrefecer rapidamente os alimentos que coloca no frigorífico.

NOTA: No modo Super Cool, a temperatura definida do compartimento do frigorífico é de 2°C. O compartimento do congelador ainda opera à temperatura definida antes de entrar no modo Super Cool e sai automaticamente decorridas 6 horas de operação.

Economia de Energia

NOTA: No modo Poupança de Energia, as temperaturas definidas no compartimento do frigorífico e no compartimento do congelador são de 6°C e -17°C, respetivamente.

Espera

Prima o botão "Power" durante 3 segundos para entrar/sair da função standby.

NOTA: Quando o frigorífico entra na função standby, o frigorífico deixará de arrefecer a área de definição da temperatura exibirá "--".

Função Wi-Fi

Este eletrodoméstico pode ser controlado remotamente com um smartphone ou com um tablet. Se o eletrodoméstico não estiver ligado à rede doméstica, este funcionará como um eletrodoméstico normal.

De que precisa para ligar o eletrodoméstico?

- O sinal da rede wireless local (Wi-Fi) deve ser suficientemente forte no local onde o eletrodoméstico é instalado.
- O router da rede doméstica tem de estar ligado à internet e a função Wi-Fi no eletrodoméstico deve estar ativada.
- O smartphone/tablet tem de estar ligado à internet.
- O sistema operativo no seu smartphone/tablet deve ser compatível com a app Connect Life.

App ConnectLife

A App ConnectLife está disponível para ser descarregada gratuitamente a partir da App Store da Apple e da Google Play Store.



Instalar a app ConnectLife

1. Vá à App Store (nos dispositivos Apple), App Gallery (nos dispositivos Huawei) ou loja Google Play (em dispositivos Android) no seu telemóvel/tablet.



2. Procure por "ConnectLife".

3. Selecione a app ConnectLife e instale-a no seu smartphone/tablet.

INFORMAÇÃO!

Recomendamos que descarregue e instale a app móvel e que crie uma conta ConnectLife antes de tentar configurar a ligação com o seu eletrodoméstico.

LIGUE O ELETRODOMÉSTICO AO WIFI

Após ativar a função Wi-Fi, ligue o seu dispositivo ao router doméstico para ligar o seu eletrodoméstico à app móvel ConnectLife.

Passo 1: Defina o eletrodoméstico para a operação normal. Toque no ícone Modo durante aproximadamente 3 segundos. Entra no menu de ligação de rede quando aparece `--` no ecrã.

Passo 2: Toque na tecla Frigorífico para seleccionar 'O' dentro de 60 segundos.

Passo 3: Toque na tecla Modo para confirmar o modo de selecção. O símbolo Wi-Fi começa a piscar e a rede deste eletrodoméstico está agora aberta para conectar-se, durante 5 minutos.

Passo 4: Quando o símbolo Wi-Fi está ligado, significa que a ligação Wi-Fi foi bem-sucedida. O ecrã regressará ao modo normal.

EMPARELHAR O ELETRODOMÉSTICO

O eletrodoméstico pode ser emparelhado com o seu dispositivo móvel. Emparelhe simplesmente outro utilizador ao seu eletrodoméstico. Isto requer que o seu eletrodoméstico já tenha sido configurado e esteja ligado à sua rede doméstica. Caso não esteja, volte atrás e selecione CONFIGURAR A LIGAÇÃO.

Passo 1: Defina o eletrodoméstico para a operação normal. Toque no ícone Modo durante aproximadamente 3 segundos. Entra no menu de ligação de rede quando aparece `--` no ecrã.

Passo 2: Toque na tecla Frigorífico para seleccionar 'P' dentro de 60 segundos.

Passo 3: Toque na tecla Modo para confirmar o modo de selecção. A rede de EMPARELHAMENTO deste eletrodoméstico está agora aberta para ligar-se, durante 5 minutos.

Passo 4: Quando o ecrã regressar ao modo normal, isto significa que a ligação de EMPARELHAMENTO foi bem-sucedida.

DESVINCULAR TODOS OS ELETRODOMÉSTICOS EMPARELHADOS

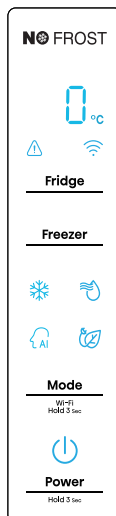
Ao ativar esta função, o eletrodoméstico será removido de todas as contas de utilizador da app emparelhada.

Passo 1: Defina o eletrodoméstico para a operação normal. Toque no ícone Modo durante aproximadamente 3 segundos. Entra no menu de ligação de rede quando aparece `--` no ecrã.

Passo 2: Toque na tecla Frigorífico para seleccionar '88' dentro de 60 segundos.

Passo 3: Toque na tecla Modo para confirmar o modo de selecção para realizara desvinculação.

Passo 4: Após o dispositivo ter sido desvinculado, este entrará automaticamente no estado de rede distribuição, o ícone Wi-Fi pisca e o tempo da rede de distribuição sobe para 5 minutos.

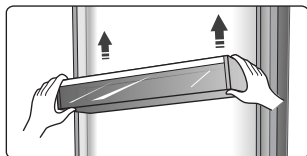


Utilizar o seu aparelho

O seu aparelho tem os acessórios como a "Descrição do aparelho" mostrou em geral, com esta parte da instrução você pode ter o método certo para usá-los. Recomendamos que as leia cuidadosamente antes de utilizar o eletrodoméstico.

Prateleira da porta

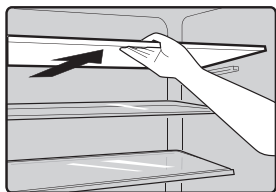
- É adequado para o armazenamento de ovos, líquidos enlatados, líquidos engarrafados e alimentos embalados, etc. Não coloque muitos objetos pesados nas prateleiras.
- As prateleiras da porta podem ser colocadas em diferentes alturas, de acordo com suas necessidades. Por favor, retire a comida da prateleira antes de levantar verticalmente para reposicionar.



- Todas as prateleiras das portas são completamente removíveis para limpeza.

Prateleira no compartimento do refrigerador

- As prateleiras na câmara frigorífica podem ser retiradas para serem limpas.



Prateleira para vinho flexível (opcional)

- É usada para armazenar garrafas de vinho ou bebidas e pode ser retirada para limpeza.

Nota: Não coloque vinho engarrafado ou bebidas em frente da saída de ar no canal de vento, para evitar a sua congelação.

Caixa fresca

- Em certos modelos, há uma caixa de extra frescura (gaveta). Esta gaveta tem uma temperatura mais baixa para armazenar peixe, carne e outros alimentos de fácil deterioração.

Normalmente, a temperatura é 1°C abaixo das outras partes do compartimento de frescos. Estão disponíveis algumas recomendações na tabela abaixo, que pode consultar.

| Definição da temp. do compartimento frigorífico | tipo de comida | período de armazenamento recomendado |
|-------------------------------------------------|----------------|--------------------------------------|
| 2 ou 3 ou 4°C | peixe ou carne | ≤2 dias |
| 5 ou 6°C | fruta | <2 semanas |
| 7 ou 8°C | legumes | <5 dias |

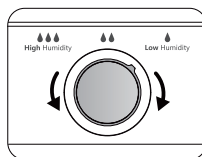
Nota: A temperatura real da caixa fresca pode ser inferior a zero, por isso, é normal que o líquido nesta gaveta fique congelado.

Gaveta para Frutas e Legumes

- A gaveta é adequada para o armazenamento de vegetais e frutas, etc.

Gaveta e controle de umidade

- Pode girar o botão na tampa da gaveta para manter a humidade diferente na gaveta. Ao pressionar o botão para a esquerda, vai manter uma humidade superior que permite um armazenamento longo de vegetais e frutas frescas, ao pressionar para a direita a humidade será menor. É para controlar a temperatura da gaveta e evitar que os vegetais percam a humidade.



Gaveta do congelador

- É usado para armazenar alimentos que precisam de ser congelados, incluindo carne, peixe, gelado, etc.

Bandeja de gelo

- É usado para fazer cubos de gelo. Para fazer cubos de gelo, por favor, encha a cuvete de cubos de gelo com água que não deve exceder a linha superior (o ideal é oitenta por cento do volume da cuvete de gelo). Coloque a gaveta no interior do compartimento do congelador. Esperar pelo menos duas horas para os cubos de gelo se formem. Depois de os cubos de gelo se formarem, vire delicadamente a cuvete para tirar os cubos.



Nota: Se a bandeja de gelo for usada pela primeira vez ou não for usada por muito tempo, limpe-a antes de usá-la.

Dispensador de água (apenas nos aparelhos com dispensador)

O dispensador de água, localizado na porta da geladeira, serve para armazenar água potável. Com este aparelho, você pode obter água gelada facilmente sem abrir a geladeira. Você deve estar informado sobre as dicas a seguir.

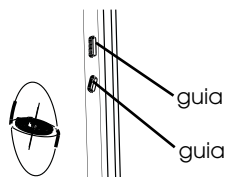
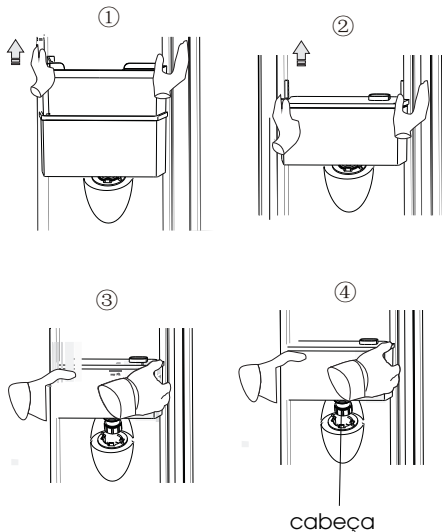


• Antes de usar

- Antes de usar este aparelho pela primeira vez, deve usá-lo como se segue.
 1. Segure um lado inferior da prateleira da porta com uma mão, levante o lado oposto com a outra mão, quando a ranhura da prateleira da porta estiver fora do guia, mude de mãos para repetir estes passos.
 2. Segure um lado inferior do reservatório de água com uma mão, levante o lado oposto com a outra mão, quando a ranhura do reservatório de água estiver desligada do guia, mude de mãos para repetir estes passos.
 3. Segure os dois lados do reservatório de água com força, levante e retire o reservatório de água.
 4. Desaparafuse a cabeça e, em seguida, limpe a cabeça, as tampas e o tanque de água.

Cuidado!

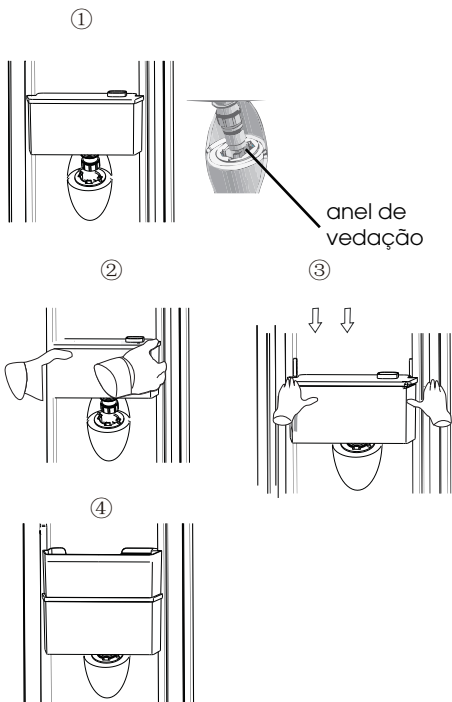
Drene o tanque de água antes de o retirar, de seguida coloque a prateleira intermédia.



• Montagem

Após a limpeza, monte as peças, incluindo a cabeça, o depósito de água e as tampas da seguinte forma:

1. Coloque o anel de vedação em ordem primeiro (o anel de vedação não pode ser levantado) e insira a cabeça no orifício.
2. Segure firmemente os dois lados do tanque de água, coloque o tanque de água ao longo dos guias na porta.
3. Empurre os dois lados do tanque de água para baixo conforme mostra a figura.
4. Quando você ouve cliques por ambos os lados e, ao mesmo tempo, ambos os lados do tanque de água estão fechados para o forro da porta, isso significa que a instalação está concluída.



• Enchimento com água

Antes de despejar a água portátil no depósito de água, certifique-se de que o depósito de água está estável e na posição correta.

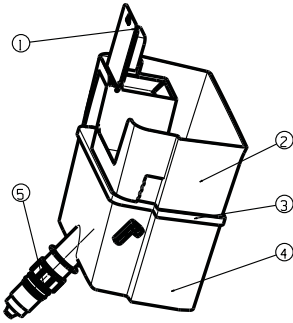
Cuidado!

Encha o tanque com água até 2,5L (o que é sugerido) não excedendo o nível.

Caso contrário, pode haver transbordo quando a tampa está fechada.

Recomendamos que encha com água da seguinte forma.

Abra a tampa pequena e insira água na entrada da prateleira do meio.



- ① tampa de entrada de abastecimento de água
- ② prateleira média
- ③ tampa da caixa de armazenamento de água
- ④ caixa de armazenamento de água
- ⑤ cabeça

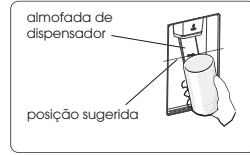
Aviso!

Não toque nas outras partes do aparelho ao despejar água, pois isso pode causar vazamento de água.

Verta a água lentamente ou a água transbordará.

Coletando água

- Você deve usar as xícaras corretas para receber água debaixo do dispensador de água.



Aviso!

- Não empurre a alavanca do dispensador para a frente sem o copo, pois isso pode causar vazamento de água no dispensador.

| Ordem | Tipo de Compartimentos | Temp. de armazenamento alvo (°C) | Alimentos apropriados |
|-------|------------------------|----------------------------------|-------------------------------------------------------------------------------------------------------------------------------------------------------------------------------------------------------------------------------------------------------------------------------------------------------------------------|
| 1 | Frigorífico | +2~+8 | Ovos, alimentos cozinhados, alimentos embalados, frutas e legumes, laticínios, bolos, bebidas e outros alimentos não são adequados para serem congelados. |
| 2 | (***)*-Congelador | ≤-18 | Mariscos e peixe (peixe, camarão, moluscos), produtos aquáticos de água doce e produtos à base de carne (recomendados durante 3 meses, quanto maior o tempo de armazenamento, pior o sabor e nutrição), adequados para alimentos frescos congelados. |
| 3 | ***-Congelador | ≤-18 | Mariscos e peixe (peixe, camarão, moluscos), produtos aquáticos de água doce e produtos à base de carne (recomendados durante 3 meses, quanto maior o tempo de armazenamento, pior o sabor e nutrição), não são adequados para alimentos frescos congelados. |
| 4 | ** -Congelador | ≤-12 | Mariscos e peixe (peixe, camarão, moluscos), produtos aquáticos de água doce e produtos à base de carne (recomendados durante 2 meses, quanto maior o tempo de armazenamento, pior o sabor e nutrição), não são adequados para alimentos frescos congelados. |
| 5 | *-Congelador | ≤-6 | Mariscos e peixe (peixe, camarão, moluscos), produtos aquáticos de água doce e produtos à base de carne (recomendados durante 1 mes, quanto maior o tempo de armazenamento, pior o sabor e nutrição). |
| 6 | 0 estrelas | -6~0 | Carne de porco, carne de vaca, peixe, alguns alimentos processados embalados frescos, etc. (Recomenda-se o consumo no mesmo dia, de preferência não mais de 3 dias depois). Alimentos processados, parcialmente encapsulados (alimentos não congeláveis) |
| 7 | Arrefecimento | -2~+3 | Carne de porco, carne de vaca, frango e produtos aquáticos de água doce, etc, frescos/congelados (7 dias abaixo de 0°C e acima de 0°C recomenda-se que sejam consumidos nesse dia, preferencialmente não mais do que 2 dias). Peixe e marisco (menos de 0°C durante 15 dias, não se recomenda guardar acima de 0°C) |
| 8 | Alimentos frescos | 0~+4 | Carne de porco, carne de vaca, peixe, frango frescos, alimentos cozinhados, etc. (Recomenda-se o consumo no mesmo dia, de preferência não mais de 3 dias depois) |
| 9 | Vinho | +5~+20 | vinho tinto, vinho branco, vinho espumante, etc. |

Nota: guarde alimentos diferentes de acordo com os compartimentos ou temperatura de armazenamento alvo dos produtos comprados.

- Se o aparelho de refrigeração ficar vazio durante longos períodos, desligue, descongele, limpe, seque e deixe a porta aberta para evitar o desenvolvimento de bolor dentro do aparelho.

Sugestões e dicas úteis

Dicas de economia de energia

Recomendamos que siga as dicas abaixo para poupar energia.

- Tente evitar manter a porta aberta por longos períodos para economizar energia.
- Assegure-se que o aparelho está longe de fontes de calor (luz solar directa, forno ou fogão eléctricos, etc.)
- Não coloque uma temperatura mais fria do que o necessário.
- Não armazene alimentos quentes ou líquidos a evaporar no aparelho.
- Coloque o aparelho numa sala bem ventilada e sem humidade. Por favor, consulte o capítulo Instalando o seu novo aparelho.
- Se o diagrama mostrar uma combinação correcta das gavetas e prateleiras, não ajuste a combinação pois esta é desenhada para uma configuração de poupança de energia.

Dicas para refrigeração de alimentos frescos

- Não coloque alimentos quentes directamente no frigorífico ou congelador, a temperatura interna irá aumentar resultando no compressor ter de se esforçar e consumir mais energia.
- Cubra ou envolva os alimentos, particularmente se tiverem aromas fortes.
- Coloque os alimentos correctamente para que o ar possa circular livremente em torno dele.

Dicas para refrigeração

- Carne (Todos os Tipos) Embrulho em alimentos polietileno: embrulhe e coloque na prateleira de vidro acima da gaveta de legumes. Siga sempre os tempos de armazenamento dos alimentos e consuma antes das datas sugeridas pelos fabricantes.
- Alimentos cozinhados, pratos frios, etc.: Devem ser cobertos e podem ser colocados em qualquer prateleira.
- Fruta e legumes: Devem ser armazenados na gaveta especial fornecida.
- Manteiga e queijo: Deve ser embrulhado em papel alumínio ou filme plástico.

- Garrafas de leite: Deve ter tampa e ser armazenado nas estacas da porta.

Dicas para congelação

- Quando iniciar primeiro ou depois de um período de uso, deixe que o aparelho funcione por, pelo menos, 2 horas nas definições mais altas antes de colocar alimentos no compartimento.
- Prepare alimento em pequenas porções para permitir que ele seja congelado rapidamente e completamente e para tornar possível descongelar posteriormente apenas a quantidade necessária.
- Embrulhe os alimentos em alumínio ou embrulhos de polietileno herméticos.
- Não permita que alimentos frescos e descongelados toquem nos alimentos já congelados para evitar o aumento da temperatura destes últimos.
- Produtos gelados, se consumidos imediatamente depois de serem removidos do compartimento de congelador, irão provavelmente causar queimaduras de frio na pele.
- Recomenda-se rotular e datar cada pacote congelado para manter o controlo do tempo de armazenamento.

Sugestões para o armazenamento de alimentos congelados

- Certifique-se de que os alimentos congelados tenham sido armazenados correctamente pelo retalhista de alimentos.
 - Uma vez descongelada, a comida deteriora-se rapidamente e não deve ser congelada novamente. Não exceda o período de armazenamento indicado pelo fabricante de alimentos.
- ### Desligar o seu aparelho
- Se o aparelho precisar de ser desligado por um longo período de tempo, os seguintes passos devem ser seguidos para prevenir mofo no aparelho.
1. Remova todos os alimentos.
 2. Remova a ficha das principais tomadas antes.
 3. Limpe e seque completamente o interior.
 4. Assegure que todas as portas são forçosamente abertas para permitir que ar circule.

Limpeza e cuidados

Por razões higiénicas do aparelho (incluindo acessórios interiores e exteriores) devem ser limpas regularmente (pelo menos, a cada dois meses).

Aviso!

- O aparelho não deve ser conectado às principais durante a limpeza pois há perigo de choque eléctrico! Antes de limpar, desligue o aparelho e retire a ficha da tomada.

Limpeza exterior

- Para manter a boa aparência do seu aparelho, você deve limpá-lo regularmente.
- Limpe o painel de controlo com um pano limpo e suave.
- Pulverize água no pano de limpeza em vez de pulverizar directamente na superfície do aparelho. Isto ajuda a assegurar que há uma distribuição homogénea na superfície.
- Limpe as portas, pegas e superfícies do recipiente com um detergente suave e depois seque com um pano suave.



Cuidado!

- Não use objetos pontiagudos, pois eles podem arranhar a superfície.
- Não use Diluente, Detergente de carro, Clorox, óleo etéreo, produtos de limpeza abrasivos ou solvente orgânico, como benzeno para limpeza. Podem danificar a superfície do aparelho e causar fogo.

Limpeza interior

- Você deve limpar o interior do aparelho regularmente. Será mais fácil de limpar quando os estoques de alimentos estiverem baixos. Limpe o interior do congelador com uma solução fraca de bicarbonato de sódio e, em seguida, enxágue com água morna usando uma esponja ou pano torcido. Seque completamente antes de substituir as prateleiras e cestas. Seque bem todas as superfícies e partes removíveis antes de recolocá-las no lugar.



- Embora este aparelho seja automaticamente descongelado, pode ocorrer uma camada de geada nas paredes interiores do compartimento de congelação se a porta do congelador for aberta frequentemente ou por muito tempo. Se a geada for muito grossa, escolha uma hora em que a geladeira esteja quase vazia e proceda da seguinte forma:
 1. Remova os alimentos existentes e os cestos de acessórios, desligue o aparelho das tomadas e deixe as portas abertas. Ventile profundamente a sala para acelerar o descongelamento.
 2. Quando a descongelação estiver concluída, limpe o congelador conforme descrito acima.

Cuidado!

- Não use objectos afiados para remover o gelo do compartimento do congelador. Apenas depois do interior estar completamente seco, para ligar de novo o aparelho e ligar a ficha na tomada.

Limpeza de vedações de porta

- Tome cuidado para manter os selos da porta limpos. Alimentos pegajosos e bebidas podem levar os selos a ficarem pegajosos ao recipiente e partirem-se quando abre a porta. Lave os selos com detergente suave e água morna. Enxágüe e seque profundamente depois da limpeza.

Cuidado!

- Somente depois que as vedações da porta estão completamente secas, o aparelho pode ser ligado.

Substituindo a luz LED:**Aviso:**

- A luz LED deve ser substituída por uma pessoa competente! Se a luz do LED estiver danificada, entre em contato com a linha de atendimento ao cliente para obter assistência. Para substituir a luz LED, os passos abaixo podem ser:

1. Desconecte o aparelho.
2. Remova a tampa da luz, empurrando para cima e para fora.
3. Segure a tampa do LED com uma mão e puxe-a com a outra mão enquanto pressiona a trava do conector.
4. Substitua a luz LED e encaixe-a corretamente para o lugar determinado.

Nota: Este produto contém uma fonte de iluminação da classe de eficiência energética <G>.

Limpeza do dispensador de água (especial para produtos com dispensadores de água):

- Limpe os reservatórios de água se não tiverem sido usados durante 48h; lave o sistema de água conectado a um fornecimento de água, se não foi retirada água durante 5 dias.

Resolução de problemas

Se você tiver algum problema com o seu aparelho ou estiver preocupado que o aparelho não esteja funcionando corretamente, você pode realizar algumas verificações fáceis antes de solicitar o serviço, veja abaixo.

Aviso! Não tente reparar o aparelho por si mesmo. Se o problema continuar depois de fazer as examinações abaixo, contacte um electricista qualificado, engenheiro de serviço autorizado ou loja onde comprou o produto.

| Problema: | Causa possível & Solução |
|----------------------------------------------|-------------------------------------------------------------------------------------------------------------------------------------------------------------------------------------------------------------------------------------------------------------------------------------------------------------------------------------------------------------------------------------------------------------------------------------------------------------------------------------------------------------------------------------------------------------------------------------------------------------------------------------------------------------------------------------------------------------------|
| O aparelho não está funcionando corretamente | <ul style="list-style-type: none">➤ Verifique se o cabo de alimentação está ligado na saída de energia apropriadamente.➤ Verifique o fusível ou circuito da fonte de alimentação, substitua-o se necessário.➤ A temperatura ambiente está muito baixa. Tente definir a temperatura do compartimento para um nível mais frio para resolver este problema.➤ É normal que o congelador não esteja funcionando durante o ciclo de descongelação automática, ou por um curto período de tempo após que o aparelho seja ligado para proteger o compressor. |
| Odores dos compartimentos | <ul style="list-style-type: none">➤ O interior pode precisar de ser limpo.➤ Alguns alimentos, recipientes ou embalagens causam odores. |
| Ruído do aparelho | <p>Os sons abaixo são normais:</p> <ul style="list-style-type: none">➤ Ruído de funcionamento do compressor.➤ Ruído do movimento do ar do pequeno motor do ventilador no compartimento do congelador ou outros compartimentos.➤ Som borbulhante semelhante ao de ebulição da água.➤ Ruído de benter durante o descongelamento automático.➤ Ruído de clique antes que o compressor funcione. Outros ruídos anormais são causados devido às razões abaixo e você pode verificar e tomar medidas:➤ O gabinete não está horizontal.➤ A parte traseira do aparelho encosta na parede.➤ Garrafas e recipientes que embatem uns nos outros. |
| O motor funciona continuamente | <p>É normal ouvir frequentemente o som do motor, ele terá de funcionar mais nas seguintes circunstâncias:</p> <ul style="list-style-type: none">➤ A configuração da temperatura é definida para o nível mais frio do que o necessário.➤ Grande quantidade de alimentos quentes foi recentemente armazenada no aparelho.➤ A temperatura no exterior do aparelho é muito alta.➤ As portas são mantidas abertas por um período de tempo muito longo ou muito frequentemente.➤ Após a instalação do aparelho ou o aparelho tenha sido desligado por um longo tempo. |

| Problema: | Causa possível & Solução |
|---------------------------------------------|-------------------------------------------------------------------------------------------------------------------------------------------------------------------------------------------------------------------------------------------------------------------------------------------------|
| Uma camada de geada ocorre no compartimento | ➤ Verifique se as saídas de ar não estão bloqueadas por qualquer alimento e certifique-se de que o alimento é colocado dentro do aparelho para permitir uma ventilação suficiente. Assegure-se de que a porta fecha totalmente. Para remover o gelo, consulte o capítulo de limpeza e cuidados. |
| A temperatura no interior é muito alta | ➤ Poderá ter deixado as portas abertas por muito tempo ou demasiadas vezes; ou as portas estão a ser mantidas abertas por algum obstáculo; ou o aparelho está num local onde tem objectos dos lados, atrás ou em cima. |
| Temperatura interior é muito fria | ➤ Aumente a temperatura de acordo com o capítulo "Painel de Controle". |
| Portas não podem ser fechadas facilmente | ➤ Verifique se o topo da geladeira está inclinado de volta por 10-15mm para permitir que as portas se fechem, ou se algo dentro está impedindo as portas de ser fechadas. |

Eliminação do aparelho

É proibido remover o aparelho como resíduos de casa.


Materiais de embalagem

Os materiais de embalagem com símbolo de reciclagem são recicláveis. Remova o embalagem num recipiente de recolha de resíduos apropriados para reciclar.

Antes da eliminação do aparelho

1. Puxe a ficha principal das principais tomadas antes.
2. Desligue o cabo de alimentação e deite fora a ficha principal.

Aviso! Refrigeradores contêm refrigerante e gases na isolamento. Refrigerante e gases devem ser eliminados profissionalmente pois podem causar danos oculares ou ignições. Assegure-se que a tubagem do circuito de refrigerante não está danificada antes da eliminação apropriada.

| Eliminação correta deste produto | |
|------------------------------------------------------------------------------------|----------------------------------------------------------------------------------------------------------------------------------------------------------------------------------------------------------------------------------------------------------------------------------------------------------------------------------------------------------------------------------------------------------------------------------------------------------------------------------------------------------------------------------------------------------------------------------------------------------------------------------------------------------------------------------|
|  | <p>Este símbolo no produto ou na sua embalagem indica que este produto não pode ser tratado como resíduos de casa. Em vez disso, deve ser feita a sua recolha e reciclagem num ponto de reciclagem para equipamento eléctrico e electrónico. Assegurando que este produto é eliminado correctamente, irá ajudar a prevenir consequências potencialmente negativas para o ambiente e saúde humana, que pode ser causado por um tratamento de resíduos inapropriados deste produto. Para mais informações detalhadas sobre a reciclagem deste produto, por favor, contacte o seu conselho local de serviço de eliminação de resíduos de casa ou a loja onde comprou o produto.</p> |

Hisense

life reimagined

MANUAL DE OPERACIÓN DE USUARIO

Antes de utilizar este aparato, lea detenidamente este manual y consérvelo para consultas futuras

ES

Español

Contenidos

| | |
|----------------------------------------------|----|
| Información de seguridad y advertencias..... | 3 |
| Instalación del nuevo aparato..... | 12 |
| Descripción del aparato..... | 15 |
| Panel de control..... | 17 |
| Uso del aparato..... | 21 |
| Sugerencias y consejos útiles..... | 25 |
| Limpieza y cuidado..... | 26 |
| Resolución de problemas..... | 28 |
| Eliminación del aparato..... | 29 |

Información de seguridad y advertencias

La seguridad de usted y de otros son muy importantes.

Hemos proporcionado mensajes de seguridad importantes en este manual y en el aparato. Lea y siga siempre todos los mensajes de seguridad.



Este es el símbolo de alerta de seguridad.

Este símbolo lo alerta sobre un peligro potencial que puede matar o herir a usted y a otros. Todos los mensajes de seguridad irán seguidos por el símbolo de alerta y la palabra "PELIGRO", "ADVERTENCIA" o "PRECAUCIÓN".

Estas palabras quieren decir:

PELIGRO

Una situación inminentemente peligrosa. Puede morir o resultar gravemente lesionado si no sigue inmediatamente

ADVERTENCIA

Una situación potencialmente peligrosa que, si no se evita, podría resultar en la muerte o en lesiones corporales graves.

PRECAUCIÓN

Una situación potencialmente peligrosa que, si no se evita, puede resultar lesiones moderadas o leves.

Todos los mensajes de seguridad le indicarán cuál es el peligro potencial, cómo reducir la probabilidad de lesión y qué puede suceder si no se siguen las instrucciones.



Información de seguridad y advertencias

Para su seguridad y un uso correcto, lea cuidadosamente este manual de usuario incluyendo sus consejos y advertencias antes de instalar el aparato y de utilizarlo por primera vez. Es importante asegurarse de que todas las personas que utilizan el aparato estén familiarizadas con su funcionamiento y características de seguridad para evitar errores y accidentes innecesarios. Guarde estas instrucciones y asegúrese de que permanezcan junto con el aparato en caso de una mudanza o venta para que los usuarios estén informados sobre el uso y los avisos de seguridad.

Por la seguridad de usted y de su propiedad, siga estas instrucciones para el usuario, ya que el fabricante no se responsabiliza por los daños causados por la omisión de las mismas.

Seguridad para niños y personas vulnerables

- En conformidad con las normas EN

Este aparato puede ser utilizado por niños mayores de 8 años y por personas con capacidades físicas, sensoriales o mentales reducidas o falta de experiencia y conocimientos si están supervisados o han recibido instrucciones relativas al uso del aparato de forma segura y si comprender los riesgos asociados. Los niños no deben jugar con el aparato. La limpieza y el mantenimiento no deben realizarlos niños sin supervisión. Los niños de 3 a 8 años tienen permitido cargar y descargar aparatos de refrigeración.

- En conformidad con las normas IEC

Este aparato no ha sido diseñado para que lo utilicen personas (incluidos niños) con capacidades físicas, sensoriales o mentales reducidas, o con falta de experiencia o conocimientos, a menos que estén supervisados o reciban instrucciones acerca del uso del aparato por parte de una persona responsable de su seguridad.

- Se debe supervisar a los niños para asegurarse de que no jueguen con el aparato.
- Mantenga el material de empaque lejos del alcance de los niños, ya que existe riesgo de sofocación.
- Si va a descartar el aparato, quite el conector del tomacorriente, corte el cable de conexión (lo más cerca que pueda del aparato) y quite la puerta para evitar que hayan descargas eléctricas o que los niños queden encerrados dentro del aparato.
- Si este aparato, con sellos magnéticos en la puerta, es para reemplazar un aparato viejo con cerradura de resorte (pestillo) en la puerta o en la tapa, asegúrese de que la cerradura no se pueda utilizar antes de descartar el aparato viejo. Así evitará que sea una trampa mortal para los niños.



Seguridad general

- **ADVERTENCIA** — Este aparato está destinado para ser utilizado en el hogar y para aplicaciones similares como -áreas de cocinas de personal en tiendas, oficinas y otros entornos de trabajo;
-granjas y clientes en hoteles, moteles y otro tipo residencial;
-entornos para huéspedes;
-servicios de hostelería y aplicaciones similares.
- **ADVERTENCIA** — No almacene sustancias explosivas, como por ejemplo latas de aerosol con propelentes inflamable, en el aparato.
- **ADVERTENCIA** — Para evitar peligros, el fabricante, el agente de servicio o una persona calificada debe reemplazar el cable de alimentación si este se daña.
- **ADVERTENCIA** — Mantenga las aberturas de ventilación, en la carcasa del aparato o en la estructura incorporada, libre de obstrucciones.
- **ADVERTENCIA** — No utilice dispositivos mecánicos ni otros medios, a menos que sean recomendados por el fabricante, para acelerar el proceso de descongelación.
- **ADVERTENCIA** — No dañe el circuito refrigerante.
- **ADVERTENCIA** — No utilice aparatos eléctricos, a menos que sean del tipo recomendado por el fabricante, dentro de los compartimientos de almacenamiento de alimentos del aparato.
- **ADVERTENCIA** — El refrigerante y el gas del aislante son inflamables. Al desechar el aparato, hágalo únicamente en el centro autorizado de eliminación de residuos. No lo exponga al fuego.
- **ADVERTENCIA** — Al momento de colocar el aparato, asegúrese de que el cable de alimentación no esté atrapado ni dañado.

- ADVERTENCIA — No coloque múltiples conectores portátiles ni fuentes de alimentación portátiles en la parte trasera del aparato.
- ADVERTENCIA — Los alimentos tienen que estar empaquetados antes de colocarlos en el refrigerador y los líquidos tienen que estar envasados en botellas o contenedores para evitar problemas, ya que la estructura de diseño del producto no es fácil de limpiar.



El símbolo es una advertencia e indica que el refrigerante y el aislante que sopla gas son inflamables.

Advertencia: Riesgo de incendio / materiales inflamables

Reemplazo de las lámparas

- ADVERTENCIA — ¡El usuario no debe reemplazar las lámparas! Si la lámpara se daña, contacte a la línea de atención al cliente para recibir asistencia. Esta advertencia es solo para los refrigeradores que contengan lámparas.

Refrigerante

El refrigerante isobutano (R600a) se encuentra dentro del circuito refrigerante del aparato, es un gas natural con un nivel alto de compatibilidad ambiental, no obstante es inflamable. Asegúrese de que ningún componente del circuito refrigerante se dañe durante el traslado y la instalación del aparato.

El refrigerante (R600a) es inflamable.

- ADVERTENCIA — Los refrigeradores contienen refrigerante y gases en el aislamiento. Se debe desechar el refrigerante y los gases de forma profesional, ya que podrían provocar lesiones oculares o ignición. Asegúrese de que la tubería del circuito de refrigerante no esté dañada antes de desecharla correctamente.



ADVERTENCIA: riesgo de incendio

Si se daña el circuito refrigerante:

- Evite las llamas vivas y las fuentes de ignición.
- Ventile bien la sala en la que esté situado el aparato.

Es peligroso alterar las especificaciones o modificar el producto de cualquier modo.

Cualquier daño en el cable puede causar cortocircuitos, incendios y/o descargas eléctricas.



Seguridad eléctrica

- No se debe alargar el cable de alimentación.
- Asegúrese de que el conector no esté aplastado ni dañado. Un conector aplastado o dañado puede calentarse y causar un incendio.
- Asegúrese de que pueda acceder al conector principal del aparato.
- No tire del cable principal.
- Si el tomacorriente está flojo, no coloque el conector. Existe riesgo de descargas eléctricas o incendios.
- No debe operar el aparato sin la cubierta de la lámpara interior.
- El aparato solo es apto para fuentes de alimentación de fase simple de 220-240V/50Hz. Por razones de seguridad, si la fluctuación de la tensión en el distrito del usuario es tan grande que la tensión excede el alcance anterior, asegúrese de aplicar CA. Regulador de tensión automático de más de 350W al frigorífico. El frigorífico debe utilizar un tomacorriente especial en lugar de uno común con otros aparatos. El conector coincide con el tomacorriente con conexión a tierra.

Uso diario

- No almacene gases ni líquidos inflamables en el aparato, ya que hay riesgo de explosión.
- No opere ningún aparato eléctrico dentro del aparato (p. ej. máquina eléctrica para hacer helados, mezcladoras, etc.).
- Siempre realice la desconexión tirando del tomacorriente, no tire del cable.
- No coloque artículos calientes cerca de los componentes de plástico del aparato.
- No coloque alimentos directamente contra la salida de aire en la pared trasera.
- Guarde los alimentos precongelados siguiendo las instrucciones del fabricante de los alimentos.
- Se deben seguir estrictamente las recomendaciones de almacenamiento del fabricante del aparato. Consulte las instrucciones relevantes sobre el almacenamiento.
- No coloque bebidas gasificadas o efervescentes en el congelador, ya que se crea una presión en el contenedor y podría explotar y dañar el aparato.
- Los alimentos congelados pueden causar quemaduras de frío si se consumen inmediatamente después de retirarlos del congelador.
- No coloque el aparato bajo la luz solar.
- Mantenga las velas, lámparas y otros artículos con llamas lejos del aparato para que no causen un incendio.
- El aparato está destinado para almacenar alimentos y/o bebidas en un hogar normal como se explica en este manual de instrucciones. Se debe tener cuidado al momento de moverlo.

- No quite ni toque los artículos del congelador con las manos mojadas/húmedas, ya que esto podría causar abrasiones en la piel o quemaduras por heladas/congelamiento.
- Nunca utilice la base, los cajones, las puertas, etc. para subirse o como apoyo.
- Los alimentos congelados no deben ser recongelados una vez que hayan sido descongelados.
- No consuma las paletas heladas o los cubos de hielo directamente del congelador, ya que pueden causar quemaduras de frío en la boca y en los labios.
- No sobrecargue los estantes de la puerta ni coloque demasiados alimentos en los cajones crispers para evitar que los artículos se caigan y causen lesiones o daños en el aparato.
- Este aparato refrigerante no está diseñado para usar como aparato integrado.



¡Precaución! Limpieza y cuidado

- Antes de realizar el mantenimiento, apague el aparato y desconecte el conector del tomacorriente principal.
- No limpie el aparato con objetos de metal, limpiadores de vapor, aceites etéreos, solventes orgánicos o limpiadores abrasivos.
- No utilice objetos filosos para quitar la escarcha del aparato. Utilice una espátula de plástico.

Instalación - ¡Importante!

- Siga cuidadosamente las instrucciones brindadas en este manual para realizar la conexión eléctrica.
- Desempaque el aparato y compruebe si hay daños. No conecte el aparato si está dañado. Informe inmediatamente sobre los posibles daños al lugar donde lo compró. En este caso, guarde el material de empaque.

- Se aconseja esperar al menos cuatro horas antes de conectar el aparato para permitir que el aceite fluya hacia el compresor.
- Debe circular aire alrededor del aparato, la falta de aire produce sobrecalentamiento. Para lograr una buena ventilación, siga las instrucciones relevantes para la instalación.
- Siempre que sea posible, la parte trasera del producto no debe estar muy cerca de la pared para evitar que toque o alcance las partes calientes (compresor, condensador). Para evitar el riesgo de incendio, siga las instrucciones relevantes para la instalación.
- No se debe colocar el aparato cerca de radiadores o cocinas.
- Asegúrese de que el enchufe de la corriente esté accesible después de la instalación del aparato

Mantenimiento

- Todo el trabajo eléctrico requerido para realizar el mantenimiento del aparato debe ser realizado por un electricista calificado o una persona competente.
- El mantenimiento del producto debe ser realizado por un Centro de Servicio autorizado y solo se deben utilizar repuestos genuinos.

1. Si el aparato es Libre de Escarcha.
2. Si el aparato contiene un congelador.

Para evitar contaminar los alimentos, siga las siguientes instrucciones

- Si abre la puerta por largos periodos puede aumentar significativamente la temperatura de los compartimientos del aparato.
- Limpie regularmente las superficies que puedan estar en contacto con alimentos y sistemas de desagües accesibles.
- Almacene la carne y el pescado crudo en los recipientes adecuados del refrigerador para que no estén en contacto ni goteen sobre otros alimentos.
- Los compartimientos de dos asteriscos para alimentos congelados son ideales para almacenar alimentos precongelados o cremas heladas y cubos de hielo.
- Los compartimientos de uno, dos y tres asteriscos no son aptos para congelar alimentos frescos.

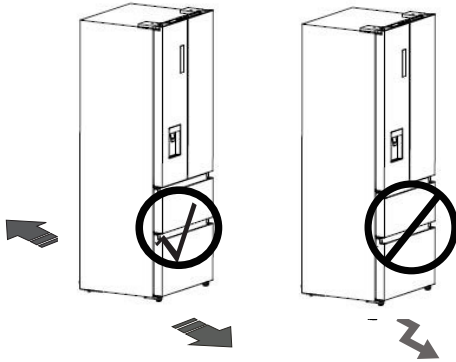
Instalación del nuevo aparato

Antes de utilizar el aparato por primera vez, debe leer los siguientes consejos.

¡Advertencia!

Para realizar una instalación adecuada, se debe colocar el refrigerador sobre una superficie nivelada de material duro que esté a la misma altura que el resto del suelo. Esta superficie debe ser lo suficientemente fuerte para soportar un refrigerador completamente cargada.

Los rodillos, que no son ruedas, solo se deben usar para moverla hacia delante o hacia atrás. Mover el refrigerador hacia los lados podría dañar el suelo y los rodillos.

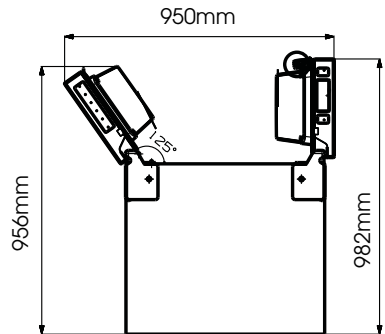
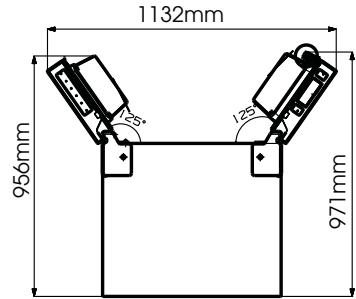
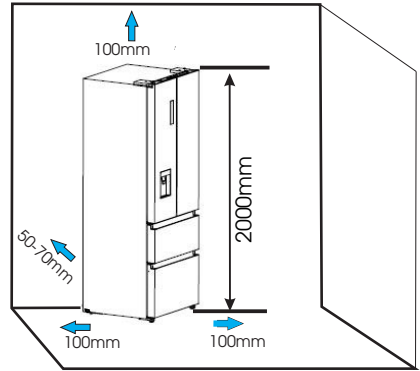


! Ventilación del aparato

Para mejorar la eficacia del sistema refrigerante y ahorrar energía, es necesario mantener una buena ventilación alrededor del aparato para disipar el calor. Por esta razón, se debe dejar suficiente espacio libre alrededor del refrigerador.

Sugerencia:

Se aconseja que haya al menos 50-70mm de espacio desde su parte trasera a la pared, al menos 100mm de espacio desde la superficie, al menos 100mm del lateral a la pared y un espacio en la parte frontal para poder abrir las puertas a 130°. Como se muestra en los siguientes diagramas.



Nota:

- Este aparato tiene un buen rendimiento entre SN a T. Es posible que el aparato no funcione correctamente si se deja durante un periodo más largo a una temperatura superior o inferior al rango indicado.

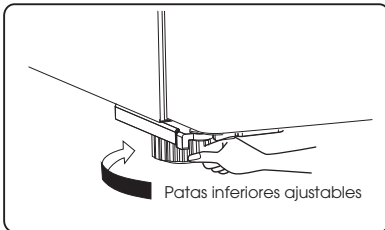
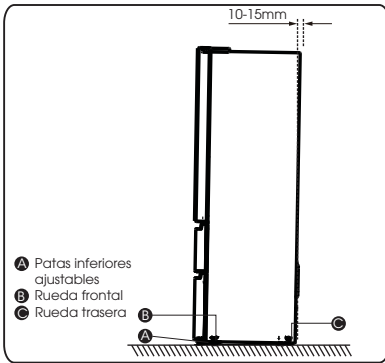
| Clase climática | Temperatura ambiente |
|-----------------|----------------------|
| SN | +10°C a +32°C |
| N | +16°C a +32°C |
| ST | +16°C a +38°C |
| T | +16°C a +43°C |

- Coloque el aparato en un lugar seco para evitar daños por la humedad.
- Mantenga el aparato lejos de la luz solar, la lluvia o la escarcha. Coloque el aparato alejado de fuentes de calor, como estufas, fuegos o calentadores.

Estabilización del aparato

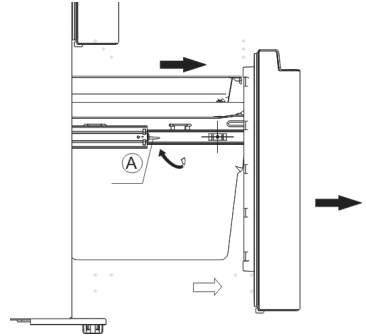
Para una estabilización y una circulación de aire suficientes en la sección trasera inferior del aparato, es posible que sea necesario ajustar las patas inferiores. Puede ajustarlas manualmente o usando una llave adecuada.

Para permitir que las puertas se cierren solas, incline la parte superior hacia atrás unos 10-15mm.

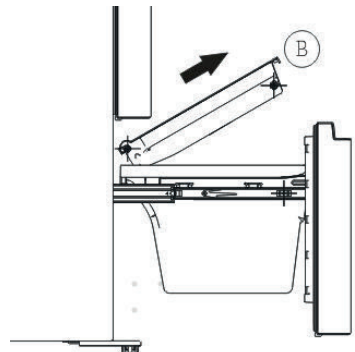


Desmontaje del cajón del congelador

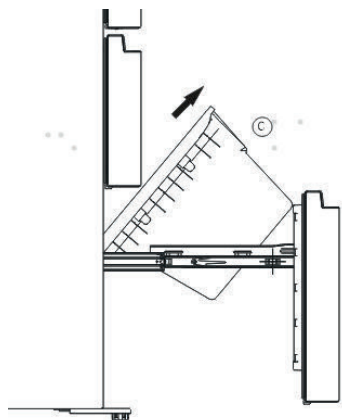
1. El compartimento congelador cuenta con un cajón superior, un cajón inferior, dos bandejas y un depósito de cubitos;
2. Abra la puerta del congelador; Tire hacia arriba del bloque de ajuste (A) de las guías deslizantes y extraiga el cajón de la puerta del congelador (A) hasta la posición final.



3. Saque la bandeja (B) levantándola en la dirección de la flecha.



4. Retire el cajón inferior del congelador (C) levantándolo.

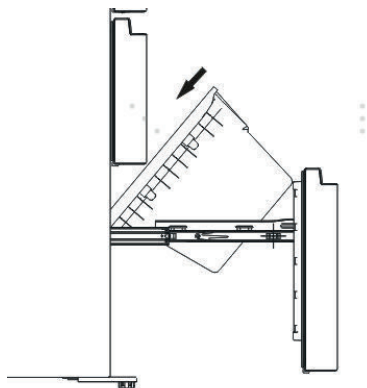


Montaje del cajón del congelador

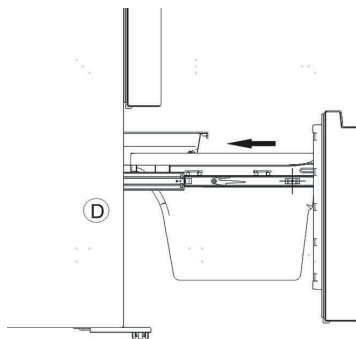
Para volver a montar el cajón después de trasladar el aparato a su ubicación final, monte las piezas en orden contrario.

Instalación del cajón inferior

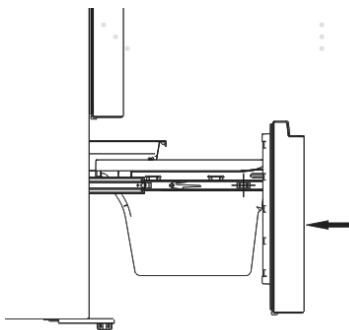
1. Empuje hacia abajo el cajón inferior hasta la posición final en la dirección de la flecha.



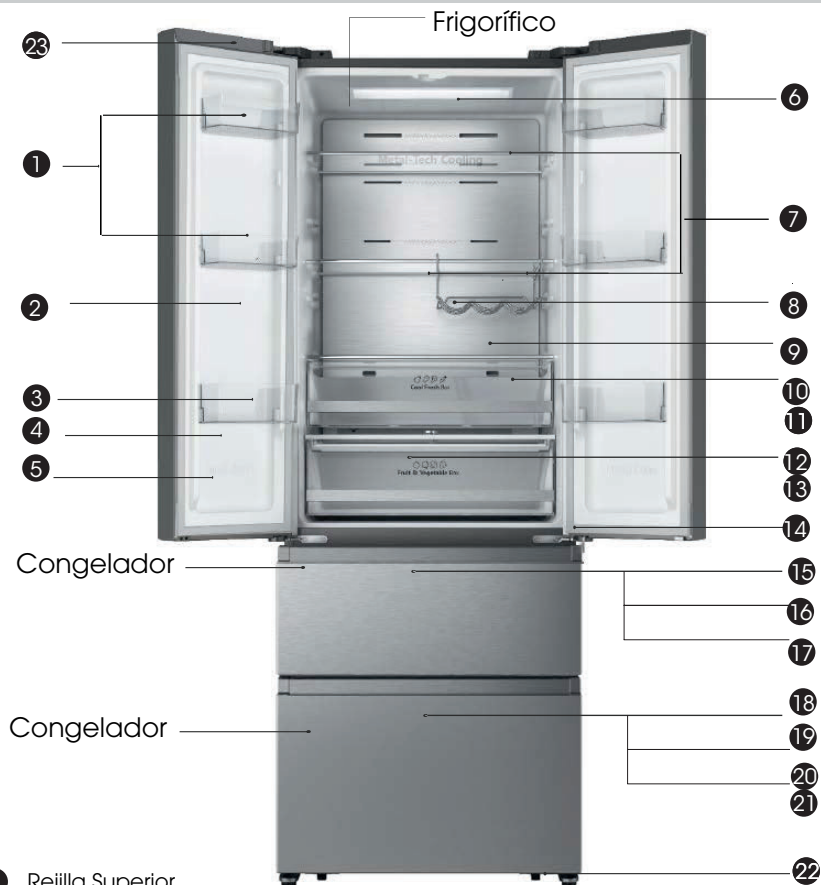
2. Coloque la bandeja en el cajón, empújela y asegúrese de que los rodillos de la bandeja estén dentro de las guías del revestimiento del congelador (D).



3. Empuje la puerta del congelador en el sentido de la flecha y ciérrela.



Descripción del aparato

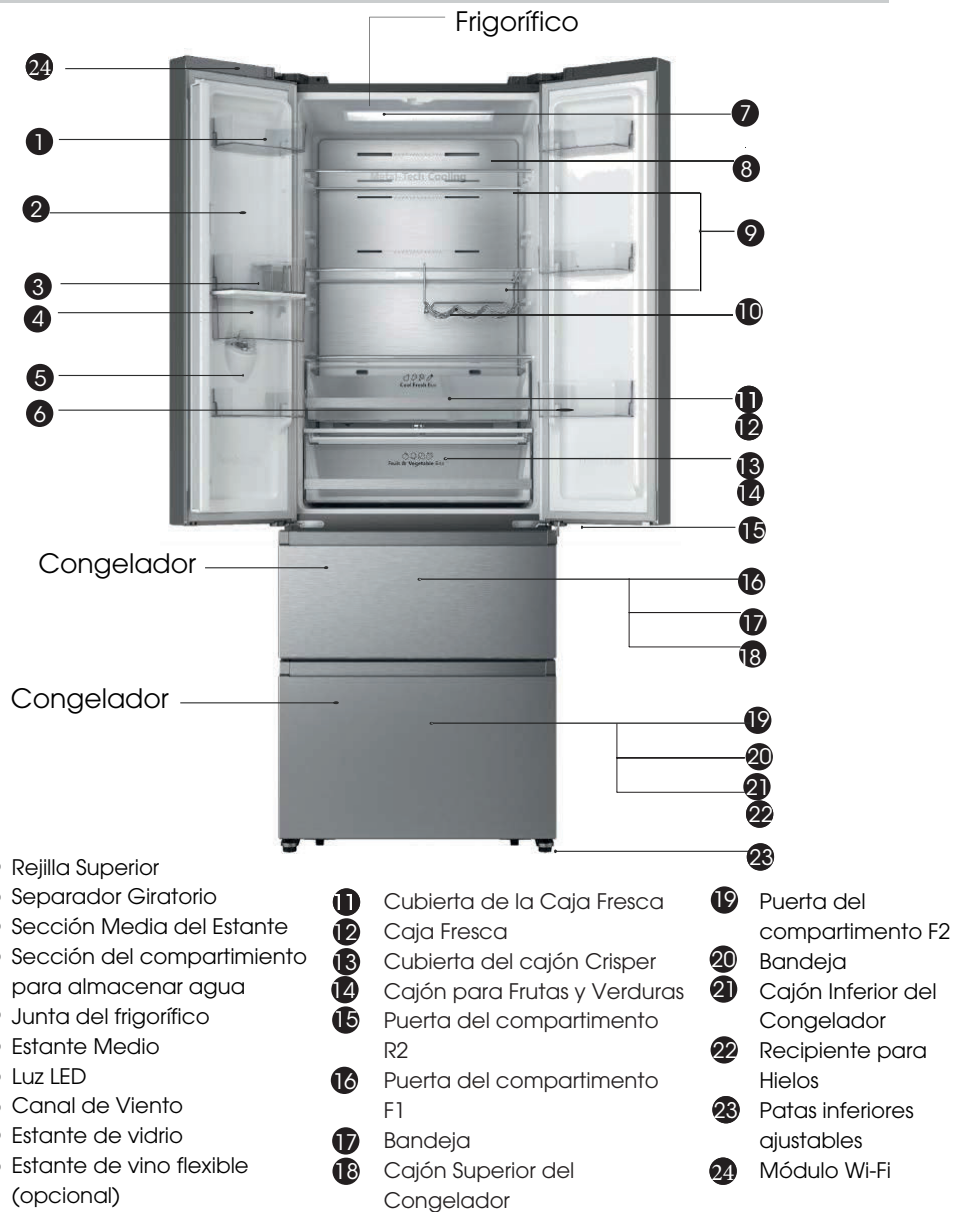


- | | | | | | |
|----|-------------------------------------|----|-------------------------------|----|-------------------------------|
| 1 | Rejilla Superior | 11 | Caja Fresca | 18 | Puerta del compartimento F2 |
| 2 | Separador Giratorio | 12 | Cubierta del cajón Crisper | 19 | Bandeja |
| 3 | Estante Medio | 13 | Cajón para Frutas y Verduras | 20 | Cajón Inferior del Congelador |
| 4 | Junta del Frigorífico | 14 | Puerta del compartimento R2 | 21 | Recipiente para Hielos |
| 5 | Puerta del compartimento R1 | 15 | Puerta del compartimento F1 | 22 | Patas inferiores ajustables |
| 6 | Luz LED | 16 | Bandeja | 23 | Módulo Wi-Fi |
| 7 | Estante de vidrio | 17 | Cajón Superior del Congelador | | |
| 8 | Estante de vino flexible (opcional) | | | | |
| 9 | Canal de Viento | | | | |
| 10 | Cubierta de la Caja Fresca | | | | |

Nota: Su modelo puede verse diferente a este y a otras imágenes en este manual dependen de las características de su modelo.

Nota: Para conseguir la mejor eficiencia energética de este producto, coloque todos los estantes y cajones en su posición original según se muestra en la ilustración anterior.

Descripción del aparato



Nota: Su modelo puede verse diferente a este y a otras imágenes en este manual dependen de las características de su modelo.

Nota: Para conseguir la mejor eficiencia energética de este producto, coloque todos los estantes y cajones en su posición original según se muestra en la ilustración anterior.

Panel de control

Utilice el aparato conforme a las siguientes normas de control, su aparato cuenta con las siguientes funciones y modos como por ejemplo el panel de control que se muestra en la siguiente imagen.



NOTA

- Una vez que el aparato se enciende, todos los iconos de la pantalla se iluminan durante 3 segundos con un sonido de zumbido.
- Todos los iconos se apagarán con la condición de que todas las llaves estén intactas y todas las puertas cerradas durante un minuto.
- El panel de control se iluminará cuando la puerta del refrigerador esté abierta o cuando toque algún botón.

¡Precaución!

La temperatura solo significa la temperatura promedio de todo el gabinete del refrigerador. Las temperaturas dentro de cada compartimento pueden variar de las que se muestran en el panel, dependiendo de la cantidad de alimentos almacenados y de dónde se coloque el refrigerador. Además, la temperatura real de la sala superior y la inferior será diferente.

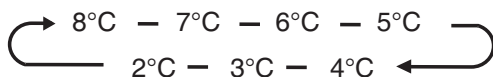
NOTA: Poner el refrigerador en funcionamiento a alta temperatura acelerará la descomposición de los alimentos. Para una óptima conservación de los alimentos, se recomienda que, al poner en marcha el refrigerador por primera vez, se ajuste la temperatura del refrigerador a 4°C, y la del congelador a -18°C.

! Alarma de la Puerta

Si se abre la puerta del frigorífico durante más de 2 minutos, se activará la alarma de la puerta. El icono "!" empieza a parpadear y el zumbador suena 3 veces por minuto. Al cerrar todas las puertas, el icono "!" se apagará y el zumbido se detendrá. Además, la alarma de la puerta se detendrá automáticamente después de 10 minutos.

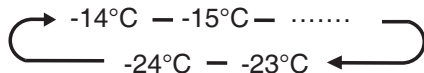
Fridge Ajuste de Temperatura del Frigorífico

Toque la tecla "Fridge" para activar la función de ajuste de temperatura del frigorífico. Después de eso, toque el botón de manera continua, la temperatura se establecerá según la siguiente secuencia:



Freezer Ajuste de Temperatura del Congelador

Toque la tecla "Freezer" para activar la función de ajuste de temperatura del frigorífico. Después de eso, toque el botón de manera continua, la temperatura se establecerá según la siguiente secuencia:



Mode Configuración del Modo

Wi-Fi
Hold 3 sec

Cada vez que presione el botón "Mode", el modo refrigerador cambiará del modo actual (si no, comenzará desde Fuzzy) y cambiará entre los modos Fuzzy - Super Congelación - Super Frío - Ahorro de Energía - Fuzzy sucesivamente, el icono correspondiente se ilumina, y el área de visualización de la temperatura muestra la temperatura ajustada correspondiente. Salga del modo correspondiente cuando ajuste la temperatura de refrigeración y congelación.



Fuzzy

El refrigerador funciona de la forma más adecuada para la conservación y el almacenamiento de los alimentos.

NOTA: En el modo Fuzzy, las temperaturas ajustada del compartimento del refrigerador y del congelador son de 4°C y -18°C respectivamente.

Super Congelación

Utilice este modo cuando desee congelar rápidamente alimentos recién colocados en el congelador.

NOTA: Si se utiliza la capacidad de congelación indicada en la placa de características, active la Super Congelación 24 horas antes de colocar los alimentos frescos en el compartimento del congelador. En el modo de Super Congelación, la temperatura ajustada del compartimento del congelador es de -24°C, el compartimento del refrigerador sigue funcionando a la temperatura ajustada antes de entrar en el modo de Super Congelación, y sale automáticamente después de funcionar 52 horas.



Super Frío

Se puede utilizar este modo cuando se desea enfriar rápidamente los alimentos que se introducen en el refrigerador.

NOTA: En el modo de Super Frío, la temperatura ajustada del compartimento del refrigerador es de 2°C, y el compartimento del refrigerador sigue funcionando a la temperatura ajustada antes de entrar en el modo de Super Frío, y sale automáticamente después de 6 horas de funcionamiento.



Ahorro de Energía

NOTA: En el modo de Ahorro de Energía, las temperaturas ajustadas del compartimento del refrigerador y del congelador son de 6°C y -17°C respectivamente.

Espera

Presione el botón "Power" durante 3 segundos para entrar/salir de la función de espera.

NOTA: Cuando el refrigerador entra en la función de espera, el refrigerador dejará de enfriar y el área de ajuste de la temperatura mostrará "--".

Función Wi-Fi

Este aparato puede controlarse a distancia con un teléfono inteligente o una tableta. Si el aparato no está conectado a la red doméstica, funcionará como un aparato normal.

¿Qué necesita para conectar el aparato?

- La señal de la red inalámbrica local (Wi-Fi) debe ser lo suficientemente fuerte en el lugar donde se instala el aparato.
- El enrutador de la red doméstica debe estar conectado a Internet, y la función Wi-Fi del aparato debe estar activada.
- El teléfono inteligente/tableta debe estar conectado a Internet.
- El sistema operativo de su teléfono inteligente/tableta debe ser compatible con la aplicación Conectar la vida.

Aplicación Conectar la vida

La aplicación Conectar la vida está disponible para descargar de forma gratuita desde Apple App Store o desde Google Play Store.



Instalación de la aplicación Conectar la Vida

1. En App Store (en dispositivos Apple), App Gallery (en dispositivos Huawei) o Google Play store (en dispositivos Android) en su teléfono/tableta.

2. Busque "Conectar la Vida".



3. Elija la aplicación Conectar la Vida e instálela en su teléfono inteligente/tableta.

¡INFORMACIÓN!

Se recomienda descargar e instalar la aplicación móvil y crear una cuenta Conectar la Vida antes de intentar configurar la conexión con su aparato.

CONECTAR EL APARATO AL WIFI

Después de activar la función Wi-Fi, conecte su dispositivo al enrutador de su hogar para conectar su aparato con la aplicación móvil Conectar la vida.

Paso 1: Ponga el aparato en funcionamiento normal. Toque la tecla Modo durante unos 3 segundos. Ha entrado en el menú de conexión de red cuando aparece '---' en la pantalla.

Paso 2: Toque la tecla Frigorífico para seleccionar 'O' antes de 60 segundos.

Paso 3: Toque la tecla Modo para confirmar el modo de selección. El símbolo de Wi-Fi comienza a parpadear y la red de este aparato está ahora abierta para conectarse durante 5 minutos.

Paso 4: Cuando el símbolo de Wi-Fi está encendido, significa que la conexión Wi-Fi es exitosa. La pantalla volverá a la normalidad.

APARATO EMPAREJADO

El aparato se puede emparejar con su dispositivo móvil. Solo empareje a un otro usuario con su aparato. Esto requiere que su aparato ya haya sido configurado antes y esté conectado a su red doméstica. De lo contrario, regrese y seleccione CONFIGURACIÓN DE CONEXIÓN.

Paso 1: Ponga el aparato en funcionamiento normal. Toque la tecla Modo durante unos 3 segundos. Ha entrado en el menú de conexión de red cuando aparece '---' en la pantalla.

Paso 2: Toque la tecla Frigorífico para seleccionar 'P' antes de 60 segundos.

Paso 3: Toque la tecla Modo para confirmar el modo de selección. La red EMPAREJADA de este aparato está ahora abierta para conectarse durante 5 minutos.

Paso 4: Cuando la pantalla vuelva a la normalidad, significa que la conexión EMPAREJADA es exitosa.

DESCONECTAR TODOS LOS APARATOS EMPAREJADOS

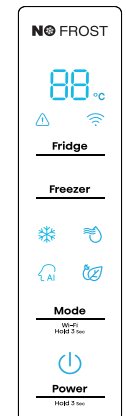
Al activar esta función, el aparato se eliminará de todas las cuentas de usuario de la aplicación emparejada.

Paso 1: Ponga el aparato en funcionamiento normal. Toque la tecla Modo durante unos 3 segundos. Ha entrado en el menú de conexión de red cuando aparece '---' en la pantalla.

Paso 2: Toque la tecla Frigorífico para seleccionar '88' antes de 60 segundos.

Paso 3: Toque la tecla Modo para confirmar el modo de selección para realizar la desvinculación.

Paso 4: Después de que el dispositivo se desvincule, entrará automáticamente en el estado de red de distribución, el icono de Wi-Fi parpadea, y el tiempo de red de distribución es de hasta 5 minutos.

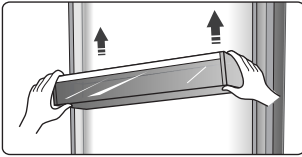


Uso del aparato

El aparato cuenta con los accesorios como los que se muestran en "Descripción del aparato", con estas instrucciones usted puede utilizarlos de la manera correcta. Se recomienda leerla detenidamente antes de utilizar el aparato. Puede variar según el modelo.

Estante de la puerta

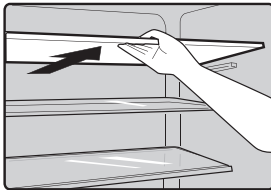
- Es ideal para almacenar huevos, líquidos envasados, botellas y alimentos envasados, etc. No coloque demasiados objetos pesados en los estantes.
- Los estantes de las puertas se pueden colocar a diferentes alturas según sus necesidades. Quite los alimentos del estante antes de inclinarlo en forma vertical para reubicarlo.



- Todos los estantes de la puerta son extraíbles para su limpieza.

Estante en el Refrigerador

- Los estantes del refrigerador se pueden sacar para limpiarlos.



Estante de vino flexible (opcional)

- Es ideal para almacenar botellas de vinos u otras bebidas, se puede quitar para limpiar.

Nota: No coloque el vino o las bebidas embotelladas directamente frente a la salida de aire en el canal de viento, ya que pueden congelarse.

Caja Fresca

- En cierto modo, habrá una caja fresca adicional (cajón). En este cajón puede tener una temperatura más baja para almacenar pescado, carne y otros alimentos perecederos. Normalmente será alrededor de 1°C más bajo que la otra parte del compartimento fresco. Hay algunas recomendaciones en la siguiente tabla que puede consultar.

| ajuste de temperatura del compartimento frigorífico | tipo de comida | período de almacenamiento sugerido |
|-----------------------------------------------------|-----------------|------------------------------------|
| 2 o 3 o 4°C | pescado o carne | ≤2 días |
| 5 o 6°C | fruta | <2 semanas |
| 7 o 8°C | verdura | <5 días |

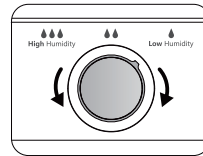
Nota: La temperatura real de la Caja Fresca puede ser inferior a cero, por lo que es normal que el líquido de este cajón se congele.

Cajón crisper para Frutas y Verduras

- El cajón crisper es ideal para almacenar frutas y verduras, etc.

Cajón Crisper y control de Humedad

- Puede girar la perilla de la cubierta del cajón crisper para mantener una humedad diferente en el cajón. Si empuja la perilla hacia la izquierda, mantendrá una humedad más alta que le permitirá almacenar verduras y frutas frescas durante mucho tiempo, a la derecha habrá menor humedad. Esto sirve para controlar la temperatura del cajón y evitar que la verdura pierda humedad.



Cajón del congelador

- Se utiliza para almacenar alimentos que deben congelarse, como carnes, pescados, helados, etc.

bandeja de hielo

● Se utiliza para hacer cubitos de Hielo. Para hacer cubitos de Hielo, llene de agua las bandejas de hielo. El agua no debe sobrepasar la línea superior (un ochenta por ciento del volumen de la cubitera en condiciones ideales). Coloque la bandeja en el compartimento congelador y espere al menos dos horas a que se formen los cubitos de hielo. Cuando los cubitos ya se hayan formado, gire suavemente la bandeja para soltar los cubitos.



Nota: Limpie la bandeja antes de utilizarla si la utiliza por primera vez o si no la ha utilizado por un tiempo.

Dispensador de agua (solo para aparatos con dispensador)

El dispensador de agua, ubicado en la puerta del refrigerífico, es para almacenar agua potable. Con este aparato usted puede obtener agua fría sin abrir el refrigerador. Debería revisar los siguientes consejos.

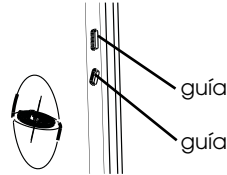
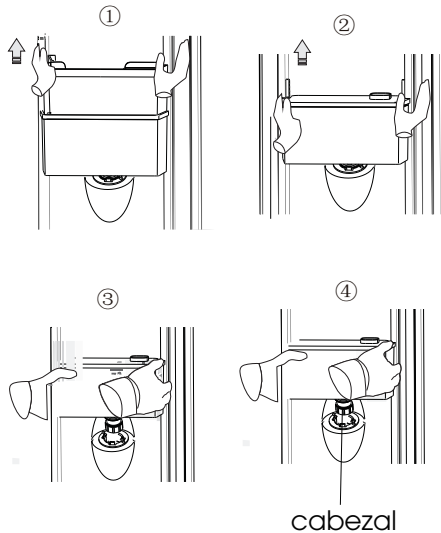


• Antes del uso

- Antes de utilizar este aparato por primera vez, utilícelo de la siguiente manera.
 1. Sostenga el lado inferior del estante de la puerta con una mano, incline el lado opuesto con la otra mano cuando la ranura del estante de la puerta sale de la guía, cambie de manos para repetir estos pasos.
 2. Sostenga el lado inferior del tanque de agua con una mano, incline el lado opuesto con la otra mano cuando la ranura del tanque de agua sale de la guía, cambie de manos para repetir estos pasos.
 3. Sostenga firmemente ambos lados del tanque de agua, levante y quite el tanque de agua.
 4. Desatornille el cabezal, luego, limpie el cabezal, las tapas y el tanque de agua.

¡Precaución!

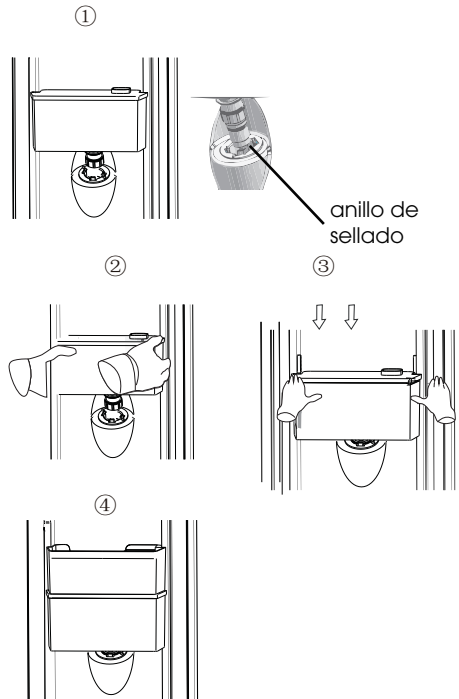
Drene el tanque de agua antes de quitarlo y luego póngalo bien en el estante medio.



• Montaje

Después de la limpieza, monte las piezas, incluido el cabezal, el tanque de agua y las tapas, de la siguiente manera:

1. Primero coloque el anillo de sellado en su sitio (el anillo de sellado no se puede levantar), luego inserte el cabezal en el orificio.
2. Sostenga firmemente los dos lados del tanque de agua, coloque el tanque de agua sobre las guías de la puerta.
3. Empuje hacia abajo los dos lados del tanque de agua como muestra la imagen.
4. Cuando escuche clics en ambos lados y al mismo tiempo, los dos lados del tanque de agua se cierren al revestimiento de la puerta, significa que la instalación se ha completado.



• Llenado con agua

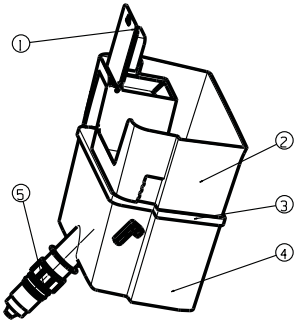
Antes de llenar el tanque con agua potable, asegúrese de que el tanque de agua esté estable y en la posición correcta.

¡Precaución!

Llene con agua hasta 2,5L (como se sugiere) y no por encima del nivel. De lo contrario, puede desbordarse cuando la tapa esté cerrada.

Le recomendamos realizar el llenado de las siguientes maneras.

Abra la tapa pequeña y llene de agua desde la entrada de la rejilla del medio.



- ① cubierta de la entrada del suministro de agua
- ② estante medio
- ③ cubierta de la caja de almacenamiento de agua
- ④ caja de almacenamiento de agua
- ⑤ cabezal

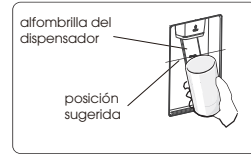
¡Advertencia!

No toque las otras partes del refrigerador mientras vierte el agua, puede causar fugas de agua.

Vierta el agua lentamente, de lo contrario, el agua se desbordará.

Recepción de agua

- Debe utilizar el vaso correcto para recibir el agua debajo del dispensador.



¡Advertencia!

- No empuje la palanca del dispensador hacia delante sin una taza, ya que podría provocar que escape agua del dispensador.

| Orden | Tipo de Compartimentos | Temperatura de almacenamiento o meta (°C) | Alimentos apropiados |
|-------|------------------------|-------------------------------------------|----------------------------------------------------------------------------------------------------------------------------------------------------------------------------------------------------------------------------------------------------------------------------------------------|
| 1 | Frigorífico | +2~+8 | Los huevos, los alimentos cocidos, los alimentos envasados, las frutas y verduras, los productos lácteos, las tortas, las bebidas y otros alimentos no son aptos para congelar. |
| 2 | (***)*-Congelador | ≤-18 | Apto para alimentos frescos congelados como por ejemplo los alimentos de origen marino (pescado, camarón, mariscos), productos de agua dulce y las carnes (recomendado para 3 meses, cuanto más tiempo esté almacenado, peor serán el sabor y los nutrientes). |
| 3 | ***-Congelador | ≤-18 | No son aptos para alimentos frescos congelados como por ejemplo los alimentos de origen marino (pescado, camarón, mariscos), productos de agua dulce y las carnes (recomendado para 3 meses, cuanto más tiempo esté almacenado, peor serán el sabor y los nutrientes). |
| 4 | **-*Congelador | ≤-12 | No son aptos para alimentos frescos congelados como por ejemplo los alimentos de origen marino (pescado, camarón, mariscos), productos de agua dulce y las carnes (recomendado para 2 meses, cuanto más tiempo esté almacenado, peor serán el sabor y los nutrientes). |
| 5 | *-Congelador | ≤-6 | Los mariscos (pescado, camarones, mariscos), productos de agua dulce y productos cárnicos (recomendado durante 1 mes, cuanto mayor sea el tiempo de almacenamiento, peor será el sabor y la nutrición). |
| 6 | 0-asterisco | -6~0 | Cerdo fresco, carne de res, pescado, pollo, algunos alimentos procesados envasados, etc. (Se recomienda consumir dentro del mismo día, preferiblemente no más de 3 días). Alimentos procesados parcialmente encapsulados (alimentos no congelados) |
| 7 | Fresco | -2~+3 | Cerdo, carne de res, pollo, productos de agua dulce, etc. fresco/congelado (7 días bajo 0°C, se recomienda sobre 0°C para consumir dentro del mismo día, preferiblemente no más de 2 días). Alimentos de origen marino (menos que 0°C para 15 días, no se recomienda almacenar sobre 0°C) |
| 8 | Alimentos Frescos | 0~+4 | Cerdo fresco, carne de res, pescado, pollo, alimentos cocidos, etc. (Se recomienda consumir dentro del mismo día, preferiblemente no más de 3 días) |
| 9 | Vino | +5~+20 | vino rojo, vino blanco, vino espumante, etc. |

Nota: almacene los distintos alimentos según los compartimentos o temperatura meta del alimento comprado.

- Si el refrigerador está vacío por largos periodos, desconéctelo, descongélelo, límpielo, séquelo y deje la puerta abierta para evitar la formación de moho dentro del aparato.

Sugerencias y consejos útiles

Consejos de ahorro de energía

Le recomendamos que siga las siguientes pautas.

- Intente evitar mantener la puerta abierta durante mucho rato para ahorrar energía.
- Asegúrese de que el aparato esté alejado de fuentes de calor (luz solar directa, horno eléctrico o estufa, etc)
- No ajuste la temperatura más fría de lo necesario.
- No almacene alimentos calientes ni líquido evaporado en el aparato.
- Coloque el aparato en una sala bien ventilada y libre de humedad. Consulte el capítulo. Instalación del nuevo aparato.
- Si el diagrama muestra la combinación correcta de cajones, cajones para verduras y estantes, no la modifique, ya que ha sido diseñada para ofrecer la configuración energética más eficiente.

Sugerencias para refrigerar alimentos frescos

- No coloque alimentos calientes directamente en el refrigerador o el congelador, ya que la temperatura interna aumentará haciendo que el compresor necesite más potencia y consuma más energía.
- Cubra o envuelva los alimentos, sobre todo si tienen un sabor fuerte.
- Coloque los alimentos cuidadosamente para que el aire pueda circular libremente en torno a ellos.

Sugerencias de refrigeración

- Carne (Todo Tipo) Envuelto en bolsas de polietileno: envuélvala y colóquela en el estante de cristal que hay sobre el cajón de las verduras. Siga siempre el periodo de almacenamiento de los alimentos y utilice las fechas sugeridas por los fabricantes.
- Alimentos cocinados, platos fríos, etc.: Deben estar siempre cubiertos y se pueden colocar en cualquier estante.
- Frutas y verduras: Se deben guardar en el cajón especial incluido.
- Mantequilla y queso: Se debe envolver en papel hermético o con film plástico.

- Botellas de leche: Deben tener una tapa y se pueden almacenar en los estantes de la puerta.

Consejos de congelación

- Cuando lo encienda por primera vez o lo utilice después de un periodo largo, deje que el aparato funcione al menos 2 horas con los ajustes más altos antes de colocar alimentos en el compartimento.
- Prepare los alimentos en porciones pequeñas para permitir que se congelen rápida y completamente y para que después sea posible descongelar solo la cantidad necesaria.
- Envuélvalos en papel de aluminio o envoltorios de polietileno que sean herméticos.
- No permita que los alimentos frescos descongelados entren en contacto con los alimentos ya congelados para evitar que suba la temperatura de estos últimos.
- Es probable que se produzcan quemaduras por congelación en la piel si se consumen productos congelados inmediatamente después de sacarlos del congelador.
- Se recomienda etiquetar y fechar cada paquete congelado para mantener un registro de su tiempo de almacenamiento.

Consejos para almacenar alimentos congelados

- Asegúrese de que el vendedor de los alimentos haya almacenado los alimentos congelados de forma correcta.
- Una vez descongelados los alimentos se deteriorarán rápidamente y no deben volverse a congelar. No supere el tiempo de almacenamiento indicado por el fabricante de los alimentos.

Apagado del aparato

Si es necesario apagar el aparato durante un periodo prolongado, debe seguir estos pasos para prevenir la aparición de hongos en él.

1. Refire todos los alimentos.
2. Desconecte el enchufe de la toma eléctrica.
3. Limpie y seque completamente el interior.
4. Asegúrese de que todas las puertas queden abiertas ligeramente para permitir que circule el aire.

Limpeza y cuidado

Por motivos de higiene, se debe limpiar periódicamente (al menos cada dos meses) el aparato (así como los accesorios exteriores e interiores).

¡Advertencia!

- ¡No se debe conectar el aparato en el tomacorriente durante la limpieza, ya que existe riesgo de descargas eléctricas! Antes de limpiarlo, apague el aparato y desconecte el enchufe de la toma eléctrica.

Limpeza exterior

- Debe limpiar periódicamente el aparato para mantener su buen estado.
- Limpie el panel de control con un paño limpio y suave.
- Rocíe agua en el trapo de limpieza en lugar de rociarla directamente en la superficie del aparato. Esto ayudará a distribuir la humedad de manera uniforme por la superficie.
- Limpie las puertas, asas y superficies del armario con un detergente suave y, a continuación, séquelas con un trapo suave.



¡Precaución!

- No utilice objetos afilados, ya que podrían rayar la superficie.
- No utilice diluyentes, detergente para vehículos, Clorox, aceites etéreos, limpiadores abrasivos ni disolventes orgánicos, como benceno, para limpiarlo. Podrían dañar la superficie del aparato y provocar un incendio.

Limpeza interior

- Limpie regularmente el interior del aparato. Le resultará más fácil limpiarlo cuando tenga poca cantidad de comida. Limpie el interior del frigorífico y el congelador con una solución débil de bicarbonato de soda y, a continuación, aclárelo con agua caliente usando un trapo o esponja escurridos. Seque por completo antes de volver a colocar los estantes y las cestas. Seque bien todas las superficies y las partes desmontables antes de volver a colocarlas en su lugar.



- Aunque este aparato tiene una función automática de descongelación, podría haber una capa de escarcha en el interior del compartimento congelador si se ha abierto con frecuencia la puerta o si se ha mantenido abierta mucho rato. Si la escarcha es demasiado gruesa, elija un momento en el que el congelador esté casi vacío y siga estos pasos:
 1. Retire los alimentos y los accesorios, desenchufe el aparato de la electricidad y deje las puertas abiertas. Ventile bien la sala para acelerar el proceso de descongelación.
 2. Cuando se haya descongelado completamente, limpie el congelador siguiendo el proceso antes descrito.

¡Precaución!

- No utilice objetos cortantes para retirar la escarcha del congelador. Solo se debe volver a conectar a la corriente y encender el aparato cuando el interior esté completamente seco.

Limpieza del sello de las puertas

- Mantenga limpios los sellos de la puerta. Los alimentos y bebidas pegajosos pueden hacer que los sellos se enganchen en el gabinete y se rompan al abrir la puerta. Limpie el sello con un detergente suave y agua caliente. Aclárelo y séquelo completamente después de limpiarlo.

¡Precaución!

- Solo debe encender el aparato después de que los sellos de la puerta estén completamente secos.

Reemplazo de la luz LED:

Advertencia:

- La luz LED debe ser reemplazada por una persona competente. Si la luz LED se daña, contacte a la línea de atención al cliente para una asistencia. Para reemplazar la luz LED, siga los siguientes pasos:

1. Desenchufe el aparato.
2. Quite la cubierta de la luz presionando hacia arriba y hacia afuera.
3. Sostenga la cubierta del LED con una mano y tire con la otra mientras presiona el conector.
4. Reemplace la luz LED y colóquela correctamente en el lugar.

Nota: Este producto contiene una fuente de luz de clase de eficiencia energética <G>.

Limpieza del dispensador de agua (especial para productos con dispensador de agua):

- Limpie el tanque de agua si no ha sido utilizado por 48 horas; purgue el sistema de agua conectado al suministro de agua si no se ha extraído agua durante 5 días.

Resolución de problemas

Si experimenta algún problema con el aparato o le preocupa que no funcione correctamente, puede realizar estas sencillas comprobaciones antes de llamar al servicio técnico.

¡Advertencia! No intente reparar el aparato usted mismo. Si el problema persiste después de haber realizado las comprobaciones descritas a continuación, póngase en contacto con un electricista cualificado, un ingeniero de mantenimiento autorizado o con la tienda donde compró el producto.

| Problema: | Causa posible y Solución |
|--------------------------------------|-----------------------------------------------------------------------------------------------------------------------------------------------------------------------------------------------------------------------------------------------------------------------------------------------------------------------------------------------------------------------------------------------------------------------------------------------------------------------------------------------------------------------------------------------------------------------------------------------------------------------------------------------------------------------------------------------------------------------------------------------------------------------------------------------------------------------------------------|
| El aparato no funciona correctamente | <ul style="list-style-type: none">➤ Compruebe si el cable eléctrico está enchufado correctamente en la toma eléctrica.➤ Compruebe el fusible o el circuito de su fuente de alimentación y reemplácelos si fuera necesario.➤ La temperatura ambiental es demasiado baja. Intente establecer la temperatura de la cámara en un nivel más frío para solucionar este problema.➤ Es normal que el congelador no funcione durante el ciclo de descongelación automática, o durante un breve tiempo después de encender el aparato para proteger el compresor. |
| Olores dentro de los compartimientos | <ul style="list-style-type: none">➤ Es posible que sea necesario limpiar el interior.➤ Algunos alimentos, recipientes o envoltorios causan olores. |
| Sale ruido del aparato | <p>Los sonidos descritos a continuación son normales:</p> <ul style="list-style-type: none">➤ Ruido de funcionamiento del compresor.➤ Ruido de movimiento de aire del motor del ventilador pequeño en el compartimento congelador o los otros compartimientos.➤ Ruido de gorgoteo similar al de agua hirviendo.➤ Ruido de golpeteo durante la descongelación automática.➤ Ruido de chasquido antes de que arranque el compresor. <p>Otros ruidos inusuales pueden ser debidos a los motivos descritos a continuación y es posible que deba comprobarlos y tomar medidas:</p> <ul style="list-style-type: none">➤ El gabinete no está nivelado.➤ La parte trasera del aparato toca la pared.➤ Las botellas o recipientes se golpean unos contra otros. |
| El motor funciona continuamente | <p>Es normal escuchar con frecuencia el sonido del motor, funcionará más en las siguientes circunstancias:</p> <ul style="list-style-type: none">➤ El ajuste de temperatura es más frío de lo necesario.➤ Se ha almacenado recientemente una gran cantidad de comida caliente dentro del aparato.➤ La temperatura fuera de la unidad es muy elevada.➤ Las puertas han estado abiertas con demasiado tiempo o se abren muy a menudo.➤ Después de instalar el aparato o si éste ha estado apagado durante mucho tiempo. |

| Problema: | Causa posible y Solución |
|----------------------------------------------|--------------------------------------------------------------------------------------------------------------------------------------------------------------------------------------------------------------------------------------------------------------------------------------------------------------------------------|
| Hay una capa de escarcha en el compartimento | ➤ Compruebe que las salidas de aire no estén bloqueadas con alimentos y asegúrese de que la comida esté colocada dentro del aparato de forma que permita una ventilación suficiente. Asegúrese de que la puerta esté completamente cerrada. Para ver cómo eliminar la escarcha, consulte el capítulo limpieza y mantenimiento. |
| La temperatura interior es demasiado alta | ➤ Es posible que haya dejado las puertas abiertas demasiado rato o que las haya abierto con demasiada frecuencia; que algún obstáculo las haya mantenido abiertas o que el aparato tenga poco espacio a los lados, por detrás y por encima. |
| La temperatura interior es demasiado baja | ➤ Aumente la temperatura siguiendo el capítulo "Panel de Control". |
| Las puertas no se pueden cerrar fácilmente | ➤ Compruebe si la parte superior del refrigerador está inclinada hacia atrás entre 10-15mm para permitir que las puertas se cierren solas o si hay algo dentro que impida el cierre de puertas. |

Eliminación del aparato

Está prohibido eliminar este aparato con los residuos domésticos.

Materiales de embalaje

Los materiales de embalaje con el símbolo de reciclaje son reciclables. Deseche el embalaje a un contenedor de recogida de residuos adecuado para reciclarlo.

Antes de eliminar el aparato

1. Desconecte el cable de alimentación del tomacorriente.
2. Corte el cable eléctrico y deséchelo con el enchufe.

¡Advertencia! Los refrigeradores contienen refrigerante y gases en el aislamiento. Se debe desechar el refrigerante y los gases de forma profesional, ya que podrían provocar lesiones oculares o ignición. Asegúrese de que la tubería del circuito de refrigerante no esté dañada antes de desecharla correctamente.

Eliminación Correcta del producto



Este símbolo en el producto o en el material de empaque indica que este producto no se puede tratar como desechos domésticos. En su lugar, se debe llevar al punto de recogida de residuos adecuados para reciclar el equipo eléctrico y electrónico. Al asegurarse de que este producto se elimina correctamente, ayudará a prevenir las consecuencias negativas potenciales para el entorno y la salud humana, que de lo contrario podrían ser causadas por la manipulación inadecuada de los residuos de este producto. Para más información sobre el reciclaje de este producto, contacte al municipio, al servicio de recolección de desperdicios o a la tienda donde compró el producto.

Hisense

life reimagined

MANUALE OPERATIVO PER L'UTENTE

Prima della messa in funzione di questo apparecchio,
leggere attentamente il presente manuale e conservarlo per
riferimento futuro

IT

Italiano

Contenuto

| | |
|---------------------------------------------|----|
| Informazioni di avvertenza e sicurezza..... | 3 |
| Installazione del nuovo apparecchio..... | 12 |
| Descrizione dell'apparecchio..... | 15 |
| Pannello di controllo..... | 17 |
| Utilizzo dell'apparecchio..... | 21 |
| Consigli e suggerimenti utili..... | 25 |
| Pulizia e Manutenzione..... | 26 |
| Risoluzione dei problemi..... | 28 |
| Smaltimento dell'apparecchio..... | 29 |

Informazioni di avvertenza e sicurezza

La tua sicurezza e la sicurezza degli altri sono molto importanti.

Abbiamo fornito molte comunicazioni di sicurezza importanti in questo manuale e sul tuo elettrodomestico. Leggerli sempre e rispettare tutti i messaggi di sicurezza.



Questo è il simbolo di avvertenza sulla sicurezza.

Questo simbolo avvisa in caso di potenziali pericoli che possono causare lesioni o morte. Tutti i messaggi di sicurezza seguiranno il simbolo di avviso di sicurezza e la parola "PERICOLO", "AVVERTENZA" o "ATTENZIONE".

Tali parole significano:

PERICOLO

Una situazione di pericolo imminente. Potresti essere ucciso o seriamente ferito se non segui immediatamente le istruzioni.

AVVERTENZA

Una situazione di pericolo imminente che, se non evitata, potrebbe causare morte o lesioni personali.

ATTENZIONE

Una situazione di pericolo imminente che, se non evitata, potrebbe causare in un infortunio lieve o moderata.

Tutti i messaggi di sicurezza ti diranno cos'è il potenziale pericolo, ti diranno come ridurre la possibilità di infortunio, e ti diranno cosa può succedere se non vengono seguite le istruzioni.



Informazioni di avvertenza e sicurezza

Per sicurezza e per un uso corretto, prima di installare e usare l'apparecchio per la prima volta, si consiglia di leggere attentamente il presente manuale, compresi i consigli e le avvertenze. Per evitare errori e incidenti è importante assicurarsi che tutte le persone che utilizzano l'apparecchio abbiano piena familiarità con il suo funzionamento e funzioni di sicurezza. Salvare queste istruzioni e assicurarsi che accompagnino l'apparecchio se viene trasferito o venduto, in modo che chiunque lo stia utilizzando, durante tutto il ciclo di vita, sia sufficientemente informato sul suo uso e consapevole degli avvisi di sicurezza.

Per garantire la propria incolumità e la sicurezza della proprietà, custodire le presenti avvertenze del manuale di istruzioni, dal momento che il produttore non è responsabile di danni causati da negligenza.

Sicurezza per i bambini e altri soggetti vulnerabili

➤ Secondo la norma EN

Questo apparecchio può essere utilizzato da bambini di età superiore agli 8 anni e persone con ridotte capacità fisiche, sensoriali o mentali o mancanza di esperienza e conoscenza, qualora siano controllati o istruiti all'uso dell'apparecchio in modo sicuro e comprendano i rischi derivanti. I bambini non devono giocare con l'apparecchio. La pulizia e la manutenzione da parte dell'utente non devono essere effettuate da bambini non sorvegliati. I bambini di età compresa tra 3 e 8 anni sono autorizzati a caricare e scaricare apparecchi di refrigerazione.

➤ Secondo la norma IEC

Quest'apparecchio non deve essere utilizzato da persone (bambini inclusi) con capacità fisiche, sensoriali o mentali ridotte, o in mancanza di esperienza e conoscenza, a meno che non siano controllati o istruiti all'uso dell'apparecchio in modo sicuro e comprendano i rischi derivanti.

- I bambini dovrebbero essere supervisionati per assicurarsi che non giochino con l'apparecchio.
- Mantenere la confezione lontano dai bambini, dal momento che esiste un rischio di soffocamento.
- Se si vuole rottamare l'apparecchio, staccare la spina dalla presa, tagliare il cavo di collegamento (il più vicino possibile all'apparecchio) e rimuovere la porta per evitare che i bambini che giocano subiscano scosse elettriche o vi rimangano chiusi al suo interno.
- Se questo apparecchio, con una chiusura magnetica, sostituisce un elettrodomestico vecchio con un blocco a molla (fermo) sulla porta o coperchio, assicurarsi di rendere il blocco inservibile, prima di smaltire il vecchio apparecchio. Questo consentirà di evitare che diventi una trappola mortale per un bambino.



Sicurezza generale

- **AVVERTENZA** — Questo elettrodomestico deve essere utilizzato in applicazioni domestiche e simili come -aree di cucina per il personale in negozi, uffici e altri ambienti di lavoro;
-agriturismi e dai clienti in hotel, motel e altri ambienti di tipo residenziale;
-ambienti di tipo bed and breakfast;
-ristoranti e simili attività di vendita non al dettaglio.
- **AVVERTENZA** — Non conservare sostanze esplosive, come bombolette spray con propellente infiammabile, in quest'apparecchio.
- **AVVERTENZA** — Se il cavo di alimentazione è danneggiato, deve essere sostituito dal produttore, dal suo servizio di assistenza o da personale qualificato al fine di evitare un pericolo.
- **AVVERTENZA** — Mantenere le aperture per la ventilazione libere da ostruzioni, sia dell'intera struttura sia dei componenti integrati.
- **AVVERTENZA** — Non utilizzare dispositivi meccanici o altri mezzi per accelerare il processo di sbrinamento, diversi da quelli consigliati dal produttore.
- **AVVERTENZA** — Non danneggiare il circuito refrigerante.
- **AVVERTENZA** — Non utilizzare apparecchi elettrici all'interno degli scomparti per la conservazione degli alimenti, a meno che non siano del tipo consigliato dal produttore.
- **AVVERTENZA** — Il refrigerante e il gas di isolamento esplosivo sono infiammabili. Per lo smaltimento dell'apparecchio, farlo solo in un centro di smaltimento autorizzato. Non esporre a fonti di combustione.
- **AVVERTENZA** — Quando si posiziona l'apparecchio, assicurarsi che il cavo di alimentazione non sia intrappolato o danneggiato.

- **AVVERTENZA** — Non individuare più prese portatili o alimentatori portatili sul retro dell'apparecchio.
- **AVVERTENZA** — Il cibo deve essere confezionato in sacchetti prima di essere introdotto nel frigorifero, e i liquidi devono essere confezionati in bottiglie o contenitori con coperchio dato che la struttura del prodotto non è facile da pulire.



Il simbolo è un'avvertenza e indica che il gas refrigerante e isolante è infiammabile.

Avvertenza: Rischio di incendio/materiali infiammabili

Sostituzione delle lampade di illuminazione

- **AVVERTENZA** — Le lampade illuminanti non devono essere sostituite dall'utente! Se le lampade illuminanti sono danneggiate, contattare l'assistenza tecnica. Questo avviso è solo per i frigoriferi che contengono lampade illuminanti.

Refrigerante

Il refrigerante isobutano (R600a) è contenuto all'interno del circuito frigorifero dell'apparecchio, un gas naturale con un elevato livello di compatibilità ambientale, che è tuttavia infiammabile. Durante il trasporto e l'installazione dell'apparecchio, assicurarsi che nessuno dei componenti del circuito di refrigerazione sia danneggiato.

Il refrigerante (R600a) è infiammabile.

- **AVVERTENZA** — I frigoriferi contengono refrigerante e gas nell'isolamento. Il refrigerante e i gas devono essere smaltiti professionalmente in quanto possono causare lesioni agli occhi o combustione. Assicurarsi che la tubatura del circuito del refrigerante non sia danneggiata prima del corretto smaltimento.



AVVERTENZA: pericolo d'incendio

Qualora il circuito refrigerante risulti danneggiato:

- Non esporre a fiamme libere o fonti di combustione.
- Areare abbondantemente il locale in cui si trova l'apparecchio.

È pericoloso alterare le specifiche o modificare il prodotto in alcun modo.

Eventuali danni al cavo potrebbero causare un corto circuito, incendio e/o scosse elettriche.



Sicurezza elettrica

- Il cavo di alimentazione non deve essere prolungato.
- Assicurarsi che la spina non venga schiacciata o danneggiata. Una spina schiacciata o danneggiata può surriscaldarsi e causare un incendio.
- Assicurarsi che sia possibile accedere alla spina dell'apparecchio.
- Non tirare il cavo principale.
- Se la presa di corrente è allentata, non inserire il cavo di alimentazione. Esiste un rischio di scossa elettrica o incendio.
- Non bisogna utilizzare l'apparecchio senza il coperchio della lampadina interna.
- Il frigorifero funziona solo con alimentazione monofase di corrente alternata di 220~240V/50Hz. Se la fluttuazione della tensione nel distretto dell'utente è così grande che la tensione supera il valore di cui sopra, per motivi di sicurezza, assicurarsi di applicare un regolatore di tensione automatico a corrente alternata di oltre 350W al frigorifero. Il frigorifero deve utilizzare una presa di corrente specifica, invece di una in comune con altri apparecchi elettrici. La sua spina deve corrispondere alla presa con filo di terra.

Uso quotidiano

- Non conservare gas o liquidi infiammabili all'interno dell'apparecchio, esiste il rischio di esplosione.
- Non utilizzare apparecchi elettrici all'interno dell'apparecchio (ad es. macchine elettriche per gelati, frullatori, ecc).
- Quando si scollega la spina, scollegare sempre la spina dalla presa di corrente, non tirare il cavo.
- Non posizionare oggetti caldi in prossimità dei componenti in plastica di questo apparecchio.
- Non posizionare prodotti alimentari contro l'uscita dell'aria sulla parete posteriore.
- Conservare alimenti congelati preconfezionati in conformità alle istruzioni del produttore di alimenti surgelati.
- Le raccomandazioni di conservazione del produttore degli apparecchi devono essere rigorosamente rispettate. Fare riferimento alle relative istruzioni per la conservazione.
- Non collocare bevande gassate o frizzanti nello scomparto congelatore perché creano pressione sul recipiente causandone l'esplosione e conseguenti danni all'apparecchio.
- I surgelati possono causare bruciate da gelo se consumati direttamente dal congelatore.
- Non posizionare l'apparecchio in contatto con la luce solare diretta.
- Mantenere candele, lampade e altri oggetti con fiamme libere lontani dall'apparecchio in modo che non vi sia rischio di combustione.
- L'apparecchio è destinato solo alla conservazione di alimenti e/o bevande in ambito domestico, come illustrato in questo libretto di istruzioni. L'apparecchio è pesante. Si deve prestare attenzione durante lo spostamento.

- Non rimuovere né toccare oggetti dal congelatore con le mani umide/bagnate, in quanto ciò potrebbe causare abrasioni cutanee o ustioni da gelo/congelatore.
- Non salire mai sulla base, sui cassetti, sulle porte, ecc. né usarli come supporti.
- Gli alimenti surgelati non devono essere ricongelati una volta scongelati.
- Non consumare ghiaccioli o cubetti di ghiaccio direttamente dal congelatore in quanto ciò può causare bruciate alla bocca e alle labbra.
- Per evitare che cadano elementi o provocare lesioni personali o danni all'apparecchio, non sovraccaricare i cestelli della porta o evitare di sovraccaricare i ripiani.
- Questo apparecchio di refrigerazione non è destinato per un utilizzo da incasso.



Attenzione!

Manutenzione e pulizia

- Prima della manutenzione, spegnere l'apparecchio e staccare la spina dalla presa di corrente.
- Non pulire l'apparecchio con oggetti metallici, pulitori a vapore, oli essenziali, solventi organici o detergenti abrasivi.
- Non utilizzare oggetti appuntiti per sbrinare l'apparecchio. Utilizzare un raschietto di plastica.

Installazione Importante!

- Per il collegamento elettrico seguire attentamente le istruzioni riportate in questo manuale.
- Disimballare l'apparecchio e verificare la presenza di danni. Non collegare l'apparecchio se è danneggiato. Segnalare immediatamente gli eventuali danni al proprio rivenditore. In questo caso conservare il materiale di imballaggio.

- Si consiglia di attendere almeno quattro ore prima di collegare l'apparecchio affinché il liquido fluisca nuovamente nel compressore.
- È necessaria un'adeguata ventilazione intorno all'apparecchio, senza la quale vi è un rischio di surriscaldamento. Per ottenere una ventilazione sufficiente, seguire le istruzioni di installazione.
- Se possibile il retro del prodotto non dovrebbe essere troppo vicino ad una parete per evitare che le parti calde vi entrino in contatto (compressore, condensatore) e prevenire il rischio di incendio, in conformità alle relative istruzioni per l'installazione.
- L'apparecchio deve essere mantenuto a distanza da termosifoni o fornelli.
- Assicurarsi che la spina sia accessibile dopo l'installazione dell'apparecchio.

Manutenzione

- Tutti gli interventi elettrici necessari per la manutenzione devono essere effettuati da un elettricista qualificato o da una persona competente.
 - Questo prodotto deve essere riparato da un centro di assistenza autorizzato e bisogna utilizzare solo ricambi originali.
1. Se l'apparecchio è Frost Free.
 2. Se l'apparecchio contiene uno scomparto congelatore.

Per evitare la contaminazione del cibo, si prega di rispettare le seguenti istruzioni

- L'apertura della porta per lunghi periodi può causare un notevole aumento della temperatura negli scomparti dell'apparecchio.
- Pulire regolarmente le superfici che possono venire a contatto con cibo e sistemi di drenaggio accessibili.
- Conservare la carne e il pesce crudi in contenitori adatti in frigorifero, in modo che non vengano a contatto con altri alimenti o vi gocciolino sopra.
- Gli scomparti per alimenti surgelati a due stelle sono adatti per conservare cibi surgelati, conservare o preparare gelati e produrre cubetti di ghiaccio.
- Gli scomparti a una, due e tre stelle non sono adatti per il congelamento di alimenti freschi.

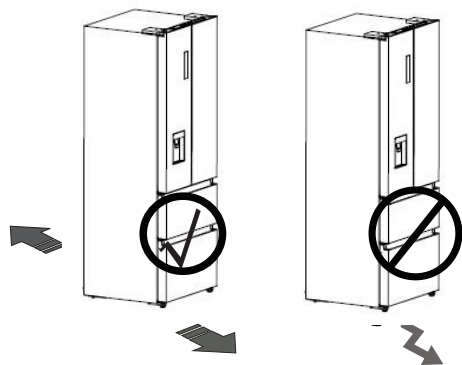
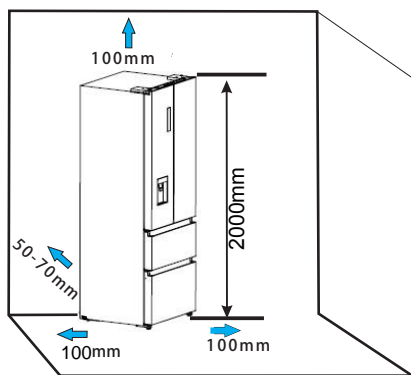
Installazione del nuovo apparecchio

Prima di utilizzare l'apparecchio per la prima volta, è necessario conoscere i seguenti suggerimenti.

Avvertenza!

Per un'installazione idonea, questo frigorifero deve essere posizionato su un piano rigido che sia alla stessa altezza del resto del pavimento. Questa superficie deve essere abbastanza resistente da sopportare il peso di un frigorifero a pieno carico.

I rulli, non trattandosi di ruote, devono essere utilizzati solo per il movimento in avanti o indietro. Spostare il frigorifero lungo i lati potrebbe danneggiare il pavimento e i rulli.

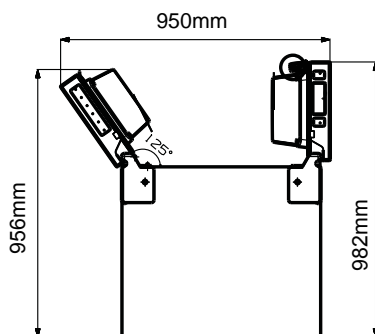
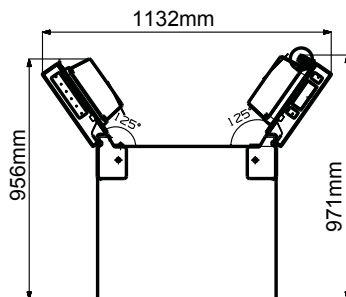


! Ventilazione dell'apparecchio

Per migliorare l'efficienza del sistema di raffreddamento e risparmiare energia, è necessario mantenere una buona ventilazione intorno all'apparecchio per favorire la dispersione del calore. Per questa ragione, è necessario fornire uno spazio libero sufficiente intorno al frigorifero.

Suggerimento:

È consigliabile che ci siano 50-70mm di spazio dalla parte posteriore alla parete, almeno 100mm dalla sua estremità superiore, almeno 100mm dal suo lato alla parete e uno spazio libero frontalmente per permettere l'apertura delle porte ad un raggio di almeno 130°. Come mostrato nei seguenti schemi.



Nota:

• Questo apparecchio funziona in modo ottimale se utilizzato nella classe climatica da SN a T. Quest'apparecchio potrebbe non funzionare correttamente se lasciato per un lungo periodo ad una temperatura oltre o sotto il raggio indicato.

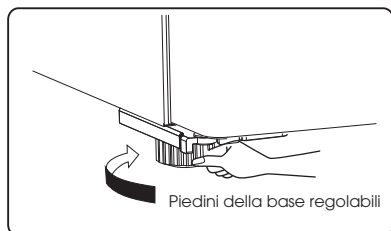
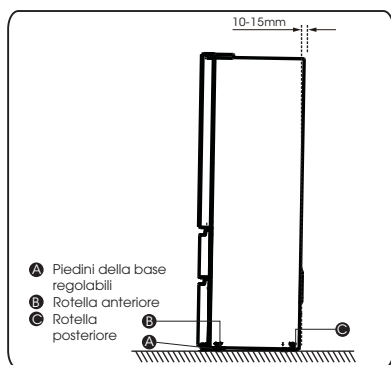
| Classe climatica | Temperatura ambiente |
|------------------|----------------------|
| SN | +10°C a +32°C |
| N | +16°C a +32°C |
| ST | +16°C a +38°C |
| T | +16°C a +43°C |

- Posizionare l'apparecchio in un luogo asciutto per evitare l'alta umidità.
- Non esporlo direttamente alla luce solare poggia o ghiaccio. Tenerlo lontano da fonti di calore quali stufe, fuochi o termosifoni.

Livellamento dell'apparecchio

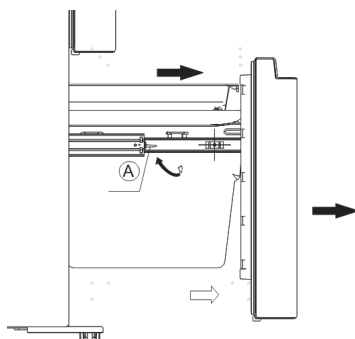
Per livellare e arieggiare sufficientemente la parte inferiore posteriore dell'apparecchio, potrebbe essere necessario regolare i piedi in basso. È possibile regolarli manualmente o utilizzando una chiave adatta.

Per consentire la chiusura automatica delle porte, inclinare la parte superiore indietro di circa 10-15mm.

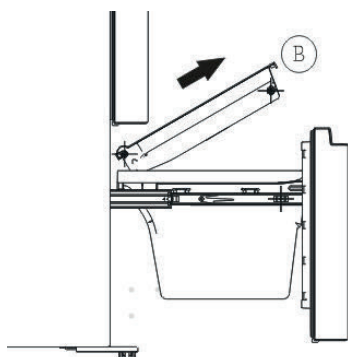


Smontaggio del cassetto del congelatore

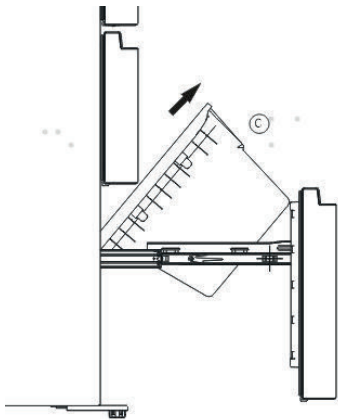
1. Il vano freezer è dotato di un cassetto superiore, un cassetto inferiore, due vaschette e un portaghiaccio;
2. Aprire lo sportello del congelatore; Tirare verso l'alto il blocco di regolazione (A) delle guide di scorrimento ed estrarre il cassetto dello sportello del congelatore (A) fino alla posizione finale.



3. Estrarre il cassetto (B) sollevandolo in direzione della freccia.



4. Rimuovere il cassetto inferiore del congelatore (C) sollevandolo.

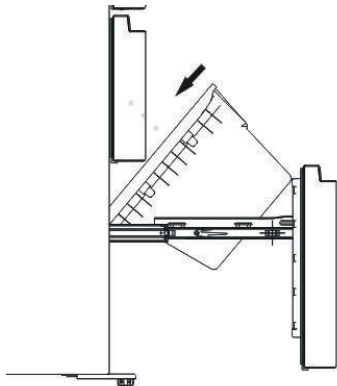


Riassemblaggio del cassetto del congelatore

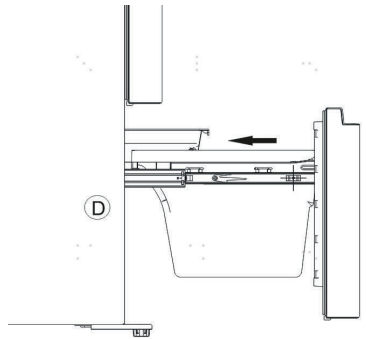
Per rimontare il cassetto dopo aver spostato l'apparecchio nella sua posizione definitiva, montare le parti in ordine inverso.

Montaggio del cassetto inferiore

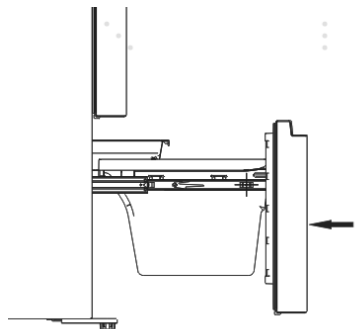
1. Spingere il cassetto inferiore nella posizione finale in direzione della freccia.



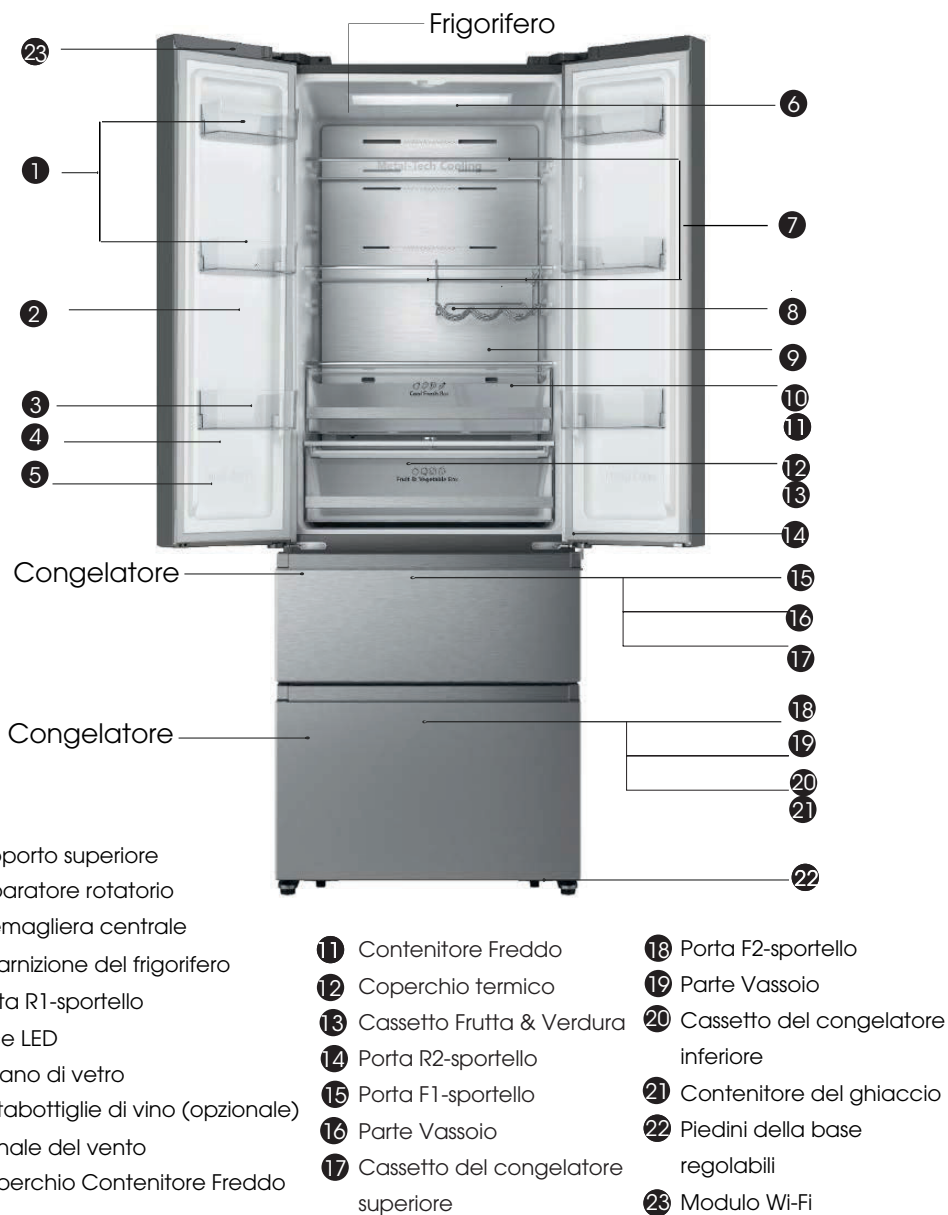
2. Mettere il vassoio sul cassetto e spingerlo verso l'alto e assicurarsi che i rulli del vassoio si trovino sulle canalature del freezer (D).



3. Spingere lo sportello del congelatore seguendo la freccia e chiuderlo.



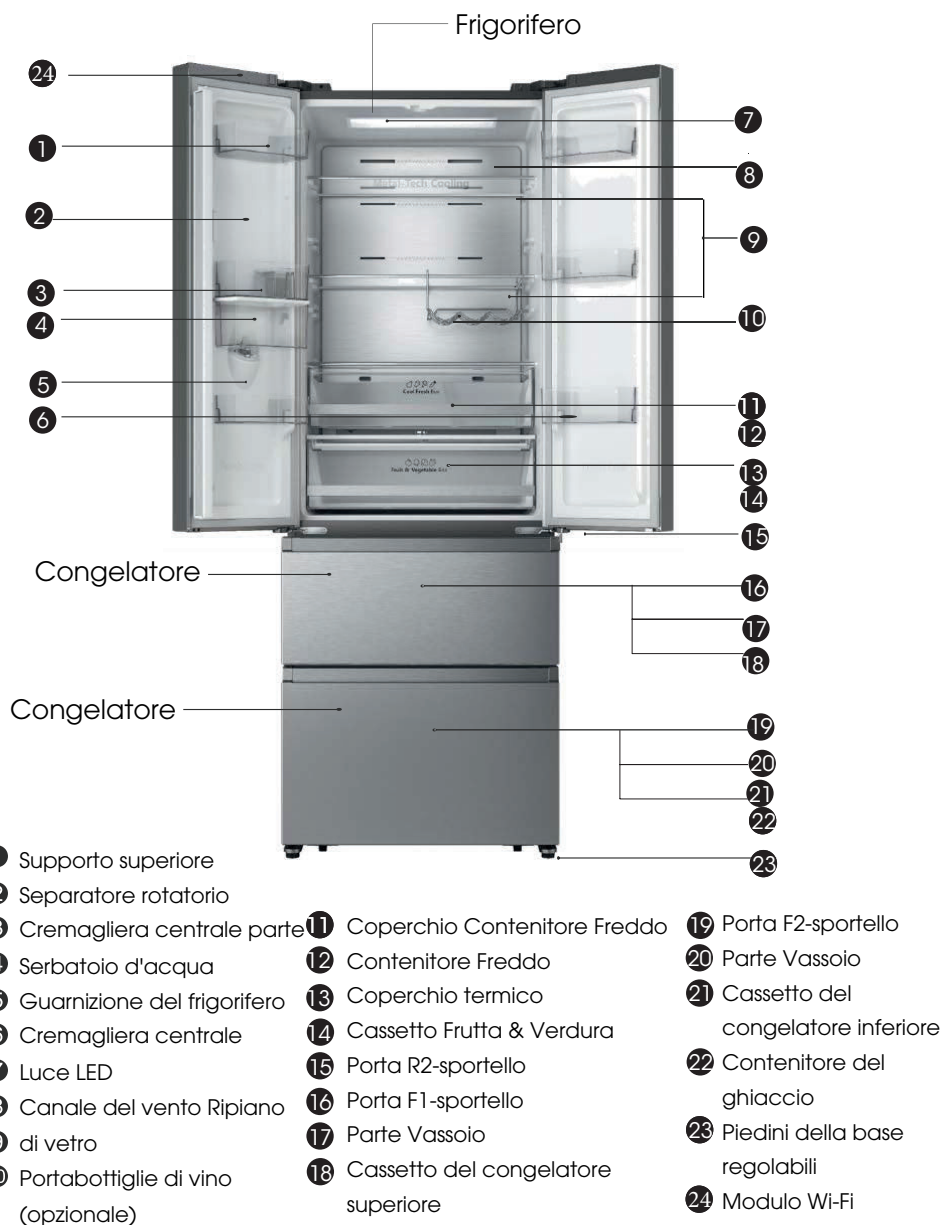
Descrizione dell'apparecchio



Nota: Il tuo modello potrebbe apparire diverso da questa o altre immagini in questo manuale, dipende dalle caratteristiche del tuo modello.

Nota: Per avere il migliore rendimento energetico da questo prodotto, mettere tutti i ripiani, i cassetti nella posizione originale come illustrato sopra.

Descrizione dell'apparecchio



- | | | |
|---------------------------------------|---------------------------------------|---------------------------------------|
| 1 Supporto superiore | 11 Coperchio Contenitore Freddo | 19 Porta F2-sportello |
| 2 Separatore rotatorio | 12 Contenitore Freddo | 20 Parte Vassoio |
| 3 Cremagliera centrale parte | 13 Coperchio termico | 21 Cassetto del congelatore inferiore |
| 4 Serbatoio d'acqua | 14 Cassetto Frutta & Verdura | 22 Contenitore del ghiaccio |
| 5 Guarnizione del frigorifero | 15 Porta R2-sportello | 23 Piedini della base regolabili |
| 6 Cremagliera centrale | 16 Porta F1-sportello | 24 Modulo Wi-Fi |
| 7 Luce LED | 17 Parte Vassoio | |
| 8 Canale del vento Ripiano di vetro | 18 Cassetto del congelatore superiore | |
| 9 | | |
| 10 Portabottiglie di vino (opzionale) | | |

Nota: Il tuo modello potrebbe apparire diverso da questa o altre immagini in questo manuale, dipende dalle caratteristiche del tuo modello.

Nota: Per avere il migliore rendimento energetico da questo prodotto, mettere tutti i ripiani, i cassetti nella posizione originale come illustrato sopra.

Pannello di controllo

Utilizzare l'apparecchio secondo le seguenti normative di controllo, l'apparecchio ha le funzioni e le modalità corrispondenti, come i pannelli di controllo visualizzati nelle immagini qui sotto.





NOTA

- Una volta che l'apparecchio è acceso, tutte le icone sul pannello del display si accendono per 3 secondi con un suono di cicalino.
- Tutte le icone si spengono a condizione che tutte le chiavi siano intatte e tutte le porte chiuse per un minuto.
- Il pannello di controllo si illumina quando la porta del frigorifero è aperta o si tocca un pulsante qualsiasi.

Attenzione!

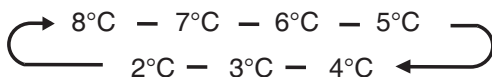
La temperatura significa solo la temperatura media dell'intero armadio frigorifero. Le temperature all'interno di ogni compartimento possono variare da quelle visualizzate sul pannello, a seconda della quantità di cibo conservato e di dove il frigorifero è collocato. Inoltre, la temperatura effettiva della stanza superiore e della stanza inferiore sarà diversa. NOTA: L'impostazione del frigorifero ad alta temperatura accelera la decomposizione degli alimenti. Per una conservazione ottimale degli alimenti, raccomandiamo che quando si avvia il frigorifero per la prima volta, la temperatura del frigorifero sia impostata a 4°C, e quella del congelatore a -18°C.

Allarme della porta

L'apertura della porta del frigorifero per oltre 2 minuti fa scattare l'allarme della porta. L'icona "  " inizia a lampeggiare e il cicalino suona 3 volte al minuto. Chiudendo tutte le porte, l'icona "  " si spegnerà e il ronzio cesserà. Inoltre, l'allarme della porta si fermerà automaticamente dopo 10 minuti.

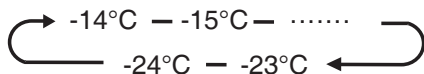
Fridge Impostazione della temperatura del frigorifero

Toccare il tasto "Fridge" per attivare la funzione di impostazione della temperatura del frigorifero. Dopo di che, toccando continuamente il tasto, la temperatura sarà impostata secondo la seguente sequenza:



Freezer Impostazione della temperatura del congelatore

Toccare il tasto "Freezer" per attivare la funzione di impostazione della temperatura del congelatore. Dopo di che, toccando continuamente il tasto, la temperatura sarà impostata secondo la seguente sequenza:



Mode Impostazione della modalità

Wi-Fi
Hold 3 Sec

Ogni volta che si preme il pulsante "Mode", la modalità del frigorifero passa dalla modalità corrente (se non è così, inizia da Fuzzy), e passa tra le modalità Fuzzy - Super Freeze - Super Cool - Energy Saving - Fuzzy 4 a turno, l'icona corrispondente si accende, e l'area di visualizzazione della temperatura visualizza la temperatura impostata corrispondente. Uscire dalla modalità corrispondente quando si imposta la temperatura di refrigerazione e di congelamento.



Fuzzy

Il frigorifero funziona nel modo più favorevole alla conservazione e allo stoccaggio degli alimenti.

NOTA: In modalità Fuzzy, le temperature impostate del vano frigorifero e del vano congelatore sono rispettivamente 4°C e -18°C.



Super Freeze

Usate questa modalità quando volete congelare rapidamente il cibo che è stato appena messo nel congelatore.

NOTA: Se si utilizza la capacità di congelamento indicata sulla targhetta di identificazione, accendere Super Freezer almeno 24 ore prima di inserire i prodotti freschi nello scomparto congelatore. In modalità Super Freeze, la temperatura impostata del vano congelatore è di -24 °C, mentre il vano frigorifero funziona ancora alla temperatura impostata prima di entrare in modalità Super Freeze e ne esce automaticamente dopo 52 ore di funzionamento.



Super Cool

Questa modalità può essere usata quando si vuole raffreddare rapidamente il cibo che si mette nel frigorifero.

NOTA: In modalità Super Cool, la temperatura impostata del vano frigorifero è di 2 °C, mentre il vano congelatore continua a funzionare alla temperatura impostata prima di entrare in modalità Super Cool e ne esce automaticamente dopo 6 ore di funzionamento.



Risparmio Energetico

NOTA: Nella modalità di risparmio energetico, le temperature impostate del vano frigorifero e del vano congelatore sono rispettivamente 6°C e -17°C.

Standby

Premere il pulsante "Power" per 3 secondi per entrare/uscire dalla funzione standby.

NOTA: Quando il frigorifero entra nella funzione standby, il frigorifero smette di raffreddarsi e l'area di impostazione della temperatura visualizzerà "--".

Funzione Wi-Fi

Questo apparecchio può essere controllato a distanza con uno smartphone o un computer tablet. Se l'apparecchio non è collegato alla rete domestica, funzionerà come un normale apparecchio.

Di cosa hai bisogno per collegare l'apparecchio?

- Il segnale della rete wireless locale (Wi-Fi) dovrebbe essere sufficientemente forte nel punto in cui è installato l'apparecchio.
- Il router della rete domestica deve essere collegato a Internet e la funzione Wi-Fi dell'apparecchio deve essere attivata.
- Il computer smart phone/tablet deve essere collegato a internet.
- Il sistema operativo del tuo smart phone/tablet deve essere compatibile con l'app Connect Life.

App ConnectLife

L'applicazione Connect Life è disponibile per il download gratuito dall'Apple Store o dal Google Play Store.



Installazione dell'applicazione ConnectLife

1. Vai su App Store (su dispositivi Apple), App Gallery (su dispositivi Huawei) o Google Play store (su dispositivi Android) sul tuo telefono/tablet computer.

2. Cercate "ConnectLife".



3. Scegliete l'app ConnectLife e installatela sul vostro smartphone/tablet.

INFORMAZIONI!

Ti consigliamo di scaricare e installare l'applicazione mobile e di creare un account ConnectLife prima di tentare di impostare la connessione con il tuo apparecchio.

CONNETTERE L'APPARECCHIO ALLA WI-FI

Dopo aver attivato la funzione Wi-Fi, collega il tuo dispositivo al router di casa per collegare il tuo apparecchio con l'app mobile ConnectLife.

Passaggio 1: Impostare l'apparecchio su funzionamento normale. Tenere premuto il tasto Modalità per circa 3 secondi. Siete entrati nel menu di connessione alla rete quando `--` appare sul display.

Passaggio 2: Premere il tasto Frigo per selezionare `O` entro 60 secondi.

Passaggio 3: Toccare il tasto Modalità per confermare la modalità di selezione e quindi realizzare lo scollegamento. Il simbolo Wi-Fi inizia a lampeggiare e la rete di questo apparecchio è ora aperta per la connessione, per 5 minuti.

Passaggio 4: Quando il simbolo Wi-Fi è acceso, significa che la connessione Wi-Fi è riuscita. Il display tornerà normale.

ACCOPIAMENTO APPARECCHIATURA

L'apparecchio può essere associato al tuo dispositivo mobile. È sufficiente associare un altro utente al suo apparecchio. Questo richiede che il vostro apparecchio sia già stato impostato in precedenza e che sia collegato alla vostra rete domestica. In caso contrario, torna indietro e seleziona CONNECTION SETUP.

Passaggio 1: Impostare l'apparecchio su funzionamento normale. Tenere premuto il tasto Modalità per circa 3 secondi. Siete entrati nel menu di connessione alla rete quando `--` appare sul display.

Passaggio 2: Premere il tasto Frigo per selezionare `P` entro 60 secondi.

Passaggio 3: Toccare il tasto Modalità per confermare la modalità di selezione. La rete PAIR di questo apparecchio è ora aperta alla connessione, per 5 minuti.

Passaggio 4: Quando il display tornerà normale, significa che la connessione PAIR è riuscita con successo.

SCOLLEGARE TUTTI GLI APPARECCHI ACCOPIATI

Attivando questa funzione, l'apparecchio sarà rimosso da tutti gli account utente delle app associate.

Passaggio 1: Impostare l'apparecchio su funzionamento normale. Tenere premuto il tasto Modalità per circa 3 secondi. Siete entrati nel menu di connessione alla rete quando `--` appare sul display.

Passaggio 2: Premere il tasto Frigo per selezionare `88` entro 60 secondi.

Passaggio 3: Toccare il tasto Modalità per confermare la modalità di selezione e quindi realizzare lo scollegamento.

Passaggio 4: Dopo che il dispositivo è senza associazione, entrerà automaticamente nello stato di rete di distribuzione, l'icona Wi-Fi lampeggia e il tempo di rete di distribuzione è fino a 5 minuti.

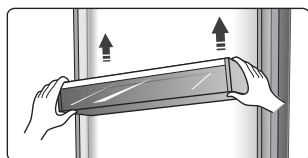


Utilizzo dell'apparecchio

L'apparecchio è dotato di accessori come la generica "Descrizione dell'apparecchio", con le istruzioni di questa parte la quale illustra il metodo corretto di utilizzo. Si raccomanda di leggerla attentamente prima di utilizzare l'apparecchio.

Supporto della porta

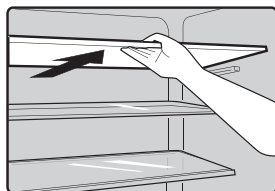
- È adatto per conservare uova, liquido in scatola, bevande in bottiglia, prodotti confezionati, ecc. Non collocare troppe cose pesanti nei supporti.
- I ripiani della porta possono essere posizionati a diverse altezze in base alle vostre esigenze. Estrarre gli alimenti dal ripiano prima di sollevarlo in verticale per riposizionarlo.



- Tutti i supporti della porta sono completamente smontabili per la pulizia.

Ripiani nel vano frigorifero

- I ripiani nella parte frigorifero possono essere estratti per essere puliti.



Porta bottiglie di vino (opzionale)

- È per conservare bottiglie di vino o bevande e si può estrarre per la pulizia.

Nota: Non posizionare il vino o le bevande in bottiglia direttamente davanti alla presa d'aria sul canale del vento, il che potrebbe causare il congelamento.

Scatola prodotti freschi

- In alcune modalità, ci sarà un contenitore freddo in più (cassetto). In questo cassetto è possibile avere una temperatura inferiore per conservare pesce, carne e altri alimenti edibili.

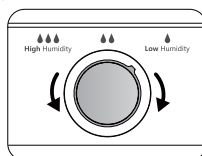
Normalmente sarà inferiore di circa 1°C rispetto all'altra parte del vano fresco. Ci sono alcune menzioni nella tabella seguente che puoi consultare.

| temp. impostazione del vano frigorifero | tipo di cibo | periodo di conservazione suggerito |
|-----------------------------------------|---------------|------------------------------------|
| 2 o 3 o 4°C | pesce o carne | ≤2 giorni |
| 5 o 6°C | frutta | <2 settimane |
| 7 o 8°C | verdura | <5 giorni |

Nota: La temperatura effettiva della scatola fresca Cool può essere inferiore a zero, quindi è normale che il liquido in questo cassetto sia stato congelato.

Cassetto Frutta & Verdura

- Il vano frutta e ortaggi è adatto per la conservazione di frutta e verdura.
- Vano frutta e verdura e controllo dell'umidità.**
- È possibile ruotare la manopola sul coperchio del cassetto per mantenere umidità differenti nel cassetto. Spingere la manopola a sinistra, manterrai un'umidità più elevata che può conservare frutta e verdura a lungo e al fresco, a destra avrai minore umidità. È per controllare la temperatura del cassetto ed evitare che la verdura perda umidità.



Cassetto del congelatore

- Viene utilizzato per conservare alimenti che devono essere congelati, tra cui carne, pesce e gelato, ecc.

vaschetta del ghiaccio

- È utilizzata per formare cubi di ghiaccio. Per fare i cubetti di ghiaccio, si prega di riempire l'acqua nei vassoi dei cubetti di ghiaccio e il livello dell'acqua non deve superare la linea superiore (idealmente l'ottanta per cento del volume del vassoio del ghiaccio). Posizionare il vassoio nel vano congelatore. e attendere almeno due ore per la formazione dei cubetti di ghiaccio. Dopo la formazione dei cubetti, ruotare delicatamente il vassoio per separare i cubetti e i vassoi.



Nota: Se la vaschetta del ghiaccio viene utilizzata per la prima volta o non è stata utilizzata per un lungo periodo di tempo, si prega di pulirla prima dell'uso.

Distributore d'acqua (solo per apparecchio con distributore)

L'erogatore d'acqua, situato nella porta del frigorifero, è utile per contenere acqua potabile. Con questo dispositivo potete ottenere facilmente acqua fresca senza aprire il frigorifero. Dovreste osservare le seguenti raccomandazioni.



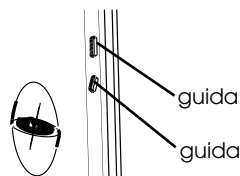
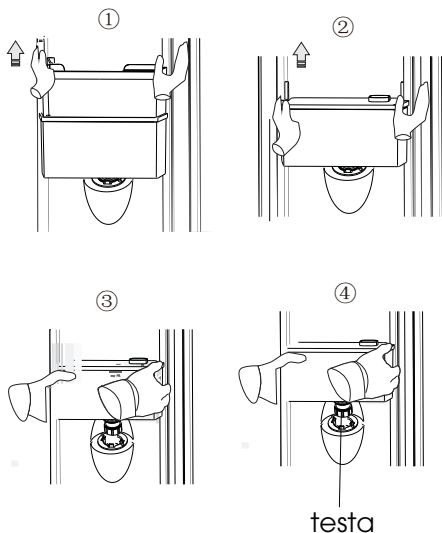
• Prima dell'utilizzo

► Prima di utilizzare l'apparecchio per la prima volta, dovreste prestare attenzione alle seguenti raccomandazioni.

1. Mantenere un lato inferiore del supporto della porta da una mano, sollevare il lato opposto con l'altra, quando la scanalatura del supporto della porta è fuori dalla guida, cambiare le mani e ripetere questa procedura.
2. Mantenere un lato inferiore del serbatoio di acqua da una mano, sollevare il lato opposto con l'altra, quando la scanalatura del serbatoio è fuori dalla guida, cambiare le mani e ripetere questa procedura.
3. Tenere i due lati del serbatoio dell'acqua fermamente, sollevarli ed estrarli dal serbatoio.
4. Svitare l'estremità superiore, quindi pulire tutti i componenti.

Attenzione!

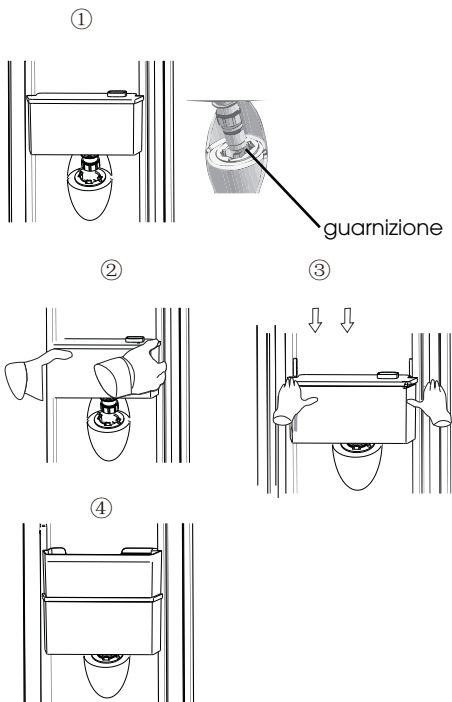
Scaricare il serbatoio dell'acqua prima di smontarlo e riporre bene la rastrelliera centrale.



• Montaggio

Dopo la pulizia, assemblare le parti, tra cui l'estremità superiore, il serbatoio e i coperchi come segue:

1. Inserire l'anello di tenuta (quest'ultimo può non essere disponibile), quindi inserire l'estremità superiore nel foro.
2. Tenere saldamente i due lati del serbatoio dell'acqua, montare il serbatoio dell'acqua secondo le guide sulla porta.
3. Spingere i due lati del serbatoio dell'acqua verso il basso come illustrato nell'immagine.
4. Quando sentite degli scatti da entrambi i lati e allo stesso tempo i due lati del serbatoio dell'acqua sono vicini al rivestimento dello sportello, significa che l'installazione è completata.



• Riempimento d'acqua

Prima di riempire il serbatoio con acqua potabile, assicurarsi che sia fissato fermamente e in una posizione corretta.

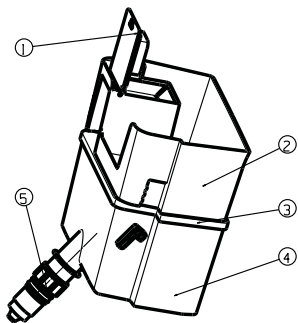
Attenzione!

Riempire con acqua fino a 2,5L (capacità indicata) e non sopra del livello.

In caso contrario, potrebbe traboccare quando il coperchio è chiuso.

Si consiglia di riempire con acqua nei seguenti modi.

Aprire il piccolo coperchio e riempire l'acqua dall'ingresso del rack centrale.



- ① coperchio della fornitura d'acqua
- ② ripiano medio
- ③ coperchio del serbatoio d'acqua
- ④ serbatoio d'acqua
- ⑤ testa

Avvertenza!

Non toccare le altre parti dell'apparecchio durante il riempimento d'acqua, può causare fuoriuscite.

Versare acqua lentamente, o traboccherà.

Erogazione di acqua

- Bisogna usare gli appositi recipienti per raccogliere l'acqua dall'erogatore.



Avvertenza!

- Non utilizzare l'erogatore d'acqua senza recipiente, potrebbe risultare in fuoriuscite d'acqua.

| Ordine | Tipo scomparti | Temperatura di conservazione ideale (°C) | Cibo appropriato |
|--------|------------------------|------------------------------------------|------------------------------------------------------------------------------------------------------------------------------------------------------------------------------------------------------------------------------------------------------------------------------------------------------------------------|
| 1 | Frigorifero | +2~+8 | Uova, cibo cotto, cibo confezionato, frutta e verdura, latticini, torte, bevande e altri alimenti non sono adatti al congelamento. |
| 2 | (***)*- Congelatore | ≤-18 | Frutti di mare (pesce, gamberetti, molluschi), prodotti ittici e prodotti a base di carne (raccomandati per 3 mesi, maggiore è il tempo di conservazione, peggiore è il gusto e la nutrizione), adatti per prodotti freschi surgelati. |
| 3 | ***- Congelatore | ≤-18 | Frutti di mare (pesce, gamberetti, molluschi), prodotti ittici e prodotti a base di carne (raccomandati per 3 mesi, maggiore è il tempo di conservazione, peggiore è il gusto e la nutrizione), non adatti per prodotti freschi surgelati. |
| 4 | ** -Congelatore | ≤-12 | Frutti di mare (pesce, gamberetti, molluschi), prodotti ittici e prodotti a base di carne (raccomandati per 2 mesi, maggiore è il tempo di conservazione, peggiore è il gusto e la nutrizione), non adatti per prodotti freschi surgelati. |
| 5 | *-Congelatore | ≤-6 | Frutti di mare (pesce, gamberetti, molluschi), prodotti ittici e prodotti a base di carne (raccomandati per 1 mese, maggiore è il tempo di conservazione, peggiore è il gusto e la nutrizione). |
| 6 | Zero stelle | -6~0 | Maiale fresco, manzo, pesce, pollo, alcuni alimenti confezionati, ecc. (si consiglia consumarli entro lo stesso giorno, preferibilmente non più di 3 giorni). Alimenti trattati parzialmente incapsulati (alimenti non congelabili) |
| 7 | Freddo | -2~+3 | Si consiglia di consumare carne di maiale fresca/ congelata, carne di manzo, pollo, prodotti ittici di acqua dolce, ecc. (7 giorni al di sotto di 0°C e oltre 0°C entro quel giorno, preferibilmente non più di 2 giorni). Frutti di mare (meno di 0°C per 15 giorni, non è consigliabile conservare sopra gli 0°C) |
| 8 | Cibo Fresco | 0~+4 | Maiale fresco, manzo, pesce, pollo, alimenti cotti, ecc. (si consiglia consumarli entro lo stesso giorno, preferibilmente non più di 3 giorni). |
| 9 | Vino | +5~+20 | vino rosso, vino bianco, vino spumante, ecc. |

Nota: conservare i vari alimenti in base agli scomparti o alla temperatura di conservazione ideale dei prodotti acquistati.

- Se il frigorifero viene lasciato vuoto per lunghi periodi, spegnere, scongelare, pulire, asciugare e lasciare lo sportello aperto per evitare lo sviluppo di muffa all'interno dell'apparecchio.

Consigli e suggerimenti utili

Consigli sul risparmio di energia

Si consiglia di considerare i seguenti suggerimenti per risparmiare energia.

- Cercate di evitare di tenere la porta aperta per lunghi periodi al fine di risparmiare energia.
- Assicurarsi che l'apparecchio sia lontano da fonti di calore (luce solare diretta, forno elettrico o fornello, ecc.).
- Non impostare la temperatura più fredda del necessario.
- Non conservare cibi caldi o liquidi in evaporazione nell'apparecchio.
- Collocare l'apparecchio in un luogo ben ventilato, non umido. Consultare la sezione Installazione del nuovo apparecchio.
- Se lo schema illustra la combinazione corretta dei cassetti, vani e ripiani, non regolare la combinazione poiché è progettata per essere la configurazione più efficiente dal punto di vista energetico.

Suggerimenti per la refrigerazione di alimenti freschi

- Non introdurre alimenti caldi nel frigorifero o freezer, la temperatura interna aumenterà e il compressore dovrà lavorare di più e consumerà più energia.
- Coprire o avvolgere il cibo soprattutto se ha un aroma forte.
- Conservare il cibo correttamente in modo che l'aria possa circolare liberamente attorno ad esso.

Consigli per la refrigerazione

- Avvolgere la carne (Tutti i Tipi) in sacchetti per gli alimenti (polietilene): avvolgerla e posizionarla sul ripiano di vetro sopra il cassetto del vano ortaggi. Controllare sempre i tempi di conservazione degli alimenti e rispettare le scadenze suggerite dai produttori.
- Cibo cotto, piatti freddi, ecc.:
Devono essere tappati ermeticamente e possono essere posizionati su qualsiasi ripiano.
- Verdura e ortaggi:
Essi devono essere conservati nell'apposito cassetto.
- Burro e formaggio:

Devono essere avvolti in un involucro ermetico o in una pellicola per alimenti.

➤ Bottiglie di latte:

Devono avere un tappo e devono essere conservate nei ripiani della porta.

Suggerimenti per il congelamento

- Al primo avviamento o dopo un periodo di inattività, lasciare l'apparecchio in funzione per almeno 2 ore alle impostazioni più alte prima di inserire il cibo nello scomparto.
- Separare il cibo in piccole porzioni per consentire un rapido e completo congelamento e di scongelare successivamente solo la quantità necessaria.
- Avvolgere il cibo in fogli di alluminio o in involucri alimentari in polietilene a tenuta d'aria.
- Evitare che i prodotti freschi, da congelare, entrino in contatto con gli alimenti già congelati per evitare lo scongelamento parziale di questi ultimi.
- I prodotti congelati, se consumati subito dopo la rimozione dal vano congelatore, probabilmente causeranno ustioni da gelo alla pelle.
- Si raccomanda di etichettare ciascun prodotto congelato con la data per tenere traccia del tempo di conservazione.

Suggerimenti per la conservazione di alimenti surgelati

- Assicurarsi che il cibo congelato sia stato conservato correttamente dal rivenditore alimentare.
- Una volta scongelato, il cibo si deteriorerà rapidamente e non deve essere nuovamente congelato. Non superare il periodo di conservazione indicato dal produttore di alimenti.

Spegnimento dell'apparecchio

Se l'apparecchio deve essere spento per un periodo prolungato, devono essere adottate le seguenti precauzioni per evitare la formazione di muffa nell'apparecchio.

1. Rimuovere tutti gli alimenti.
2. Togliere la spina dalla presa di corrente.
3. Pulire e asciugare l'interno completamente.
4. Assicurarsi che tutte le porte siano leggermente aperte, per far circolare l'aria.

Pulizia e Manutenzione

Per motivi igienici l'apparecchio (compresi gli accessori esterni e interni) deve essere pulito regolarmente (almeno ogni due mesi).

Avvertenza!

- L'apparecchio non deve essere collegato alla rete elettrica durante la pulizia, vi è il pericolo di scosse elettriche! Prima della pulizia spegnere l'apparecchio e staccare la spina dalla presa di corrente.

Pulizia esterna

- Per mantenere un buon aspetto del vostro apparecchio, è necessario pulirlo regolarmente.
- Strofinare il pannello di controllo con un panno pulito e morbido.
- Spruzzare l'acqua sul panno invece di farlo direttamente sulla superficie dell'apparecchio. Questo aiuta ad assicurare una distribuzione uniforme di umidità sulla superficie.
- Pulire le porte, le maniglie e le superfici degli armadi con un detergente delicato e poi asciugate con un panno morbido.



Attenzione!

- Non usare oggetti taglienti, che potrebbero graffiare la superficie.
- Non usare diluente, detergente per auto, cloro, olio essenziale, detersivi abrasivi o solventi organici come il benzene per la

pulizia. Essi possono danneggiare la superficie dell'apparecchio e possono causare incendi.

Pulizia interna

- Si consiglia di pulire l'interno dell'apparecchio regolarmente. Sarà più facile da pulire quando le scorte alimentari sono poche. Pulire l'interno del congelatore del frigo con una soluzione debole di bicarbonato di sodio, quindi sciacquare con acqua tiepida con una spugna o un panno dopo averli strizzati. Asciugare completamente prima di riposizionare i ripiani e i contenitori. Asciugare accuratamente tutte le superfici e le parti removibili prima di metterli in posizione.



- Anche se questo apparecchio ha lo sbrinamento automatico, uno strato di gelo può formarsi sulle pareti interne del vano congelatore se si apre spesso lo sportello o viene lasciato aperto troppo a lungo. Se il gelo è troppo spesso, scegliere un momento in cui vi siano poche scorte alimentari e procedere come segue:
 1. Rimuovere gli alimenti e i contenitori esistenti, staccare la spina dell'apparecchio dalla rete elettrica e lasciare le porte aperte. Ventilare bene la stanza per accelerare il processo.
 2. Quando lo sbrinamento è completato, pulire il congelatore come descritto sopra.

Attenzione!

- Non utilizzare oggetti appuntiti per rimuovere il ghiaccio dal congelatore. Ricollegare l'apparecchio alla presa e accenderlo solo dopo che l'interno è completamente asciutto.

Pulizia delle guarnizioni della porta

- Fare attenzione a mantenere pulite le guarnizioni delle porte. Cibi o bevande appiccicose possono causare l'aderenza delle guarnizioni alla struttura provocandone il danneggiamento quando si apre la porta. Lavare le guarnizioni con un detergente delicato e acqua calda. Risciacquare e asciugare con cura dopo la pulizia.

Attenzione!

- Accendere l'apparecchio solo dopo che le guarnizioni siano completamente asciutte.

Sostituzione dell'illuminazione LED:

Avvertenza:

- L'illuminazione LED deve essere sostituita

da una persona competente. Se l'illuminazione LED è danneggiata, contattare l'assistenza tecnica. Per sostituire l'illuminazione LED osservare i seguenti passaggi:

1. Scollegare l'apparecchio.
2. Rimuovere il coperchio dell'illuminazione estraendolo manualmente.
3. Afferrare il coperchio del LED con una mano ed estrarlo con l'altra facendo pressione sul fermo di chiusura.
4. Sostituire l'illuminazione LED e risistamarla correttamente.

Nota: Questo prodotto contiene una sorgente luminosa di classe di efficienza energetica <G>.

Pulizia dell'erogatore d'acqua (specifico per i prodotti con erogatore):

- Pulire i serbatoi dell'acqua se non sono stati utilizzati per 48 ore; lavare l'impianto idrico collegato a una rete idrica se l'acqua non è stata aspirata per 5 giorni.

Risoluzione dei problemi

Se si verifica un problema con l'apparecchio o si presume che quest'ultimo non funzioni correttamente, è possibile effettuare alcuni controlli semplici prima di chiamare l'assistenza, di seguito elencati.

Avvertenza! Non tentare di riparare l'apparecchio da soli. Se il problema persiste dopo aver effettuato i controlli di seguito elencati, contattare un elettricista qualificato, un tecnico autorizzato o il proprio rivenditore.

| Problema: | Possibile causa e soluzione |
|------------------------------------------|-----------------------------------------------------------------------------------------------------------------------------------------------------------------------------------------------------------------------------------------------------------------------------------------------------------------------------------------------------------------------------------------------------------------------------------------------------------------------------------------------------------------------------------------------------------------------------------------------------------------------------------------------------------------------------------------------------------------------------------------------------------------------|
| L'apparecchio non funziona correttamente | <ul style="list-style-type: none">➤ Controllare se il cavo di alimentazione sia inserito nella presa di corrente in modo corretto.➤ Controllare il fusibile o il circuito della rete elettrica, se necessario sostituirli.➤ La temperatura ambiente è troppo bassa. Prova a impostare la temperatura ambiente ad un livello più freddo per risolvere questo problema.➤ È normale che il congelatore non funzioni durante il ciclo di sbrinamento automatico o per un breve periodo dopo che l'apparecchio è acceso per proteggere il compressore. |
| Odori dagli scomparti | <ul style="list-style-type: none">➤ Può essere necessario pulire l'interno.➤ Alcuni alimenti, contenitori o confezioni causano odori. |
| Rumore dall'apparecchio | <p>I suoni che seguono sono del tutto normali:</p> <ul style="list-style-type: none">➤ Il compressore emette rumori.➤ Il rumore del movimento dell'aria dal piccolo motore del ventilatore nel vano congelatore o altri compartimenti.➤ Gorgoglio simile all'acqua che bolle.➤ Schiocchi durante lo sbrinamento automatico.➤ Ticchettio prima che il compressore si avvia. <p>Altri rumori insoliti sono dovuti alle ragioni sottostanti e possono avere bisogno di una verifica ed eventuali azioni:</p> <ul style="list-style-type: none">➤ La struttura non è livellata.➤ Il retro dell'apparecchio tocca la parete.➤ Bottiglie o contenitori che sbattono l'uno contro l'altro. |
| Il motore funziona continuamente | <p>È normale sentire spesso il suono del motore, sarà più intenso durante le seguenti circostanze:</p> <ul style="list-style-type: none">➤ L'impostazione della temperatura è più fredda del necessario.➤ Una grande quantità di cibo caldo è stata recentemente conservata all'interno dell'apparecchio.➤ La temperatura esterna dell'apparecchio è troppo elevata.➤ Le porte sono tenute aperte troppo a lungo o troppo spesso.➤ Dopo l'installazione l'apparecchio è stato spento per un lungo periodo di tempo. |

| Problema: | Possibile causa e soluzione |
|-------------------------------------------------|---------------------------------------------------------------------------------------------------------------------------------------------------------------------------------------------------------------------------------------------------------------------------------------------------------|
| Uno strato di brina si è formato nel vano | ➤ Verificare che le prese d'aria non siano ostacolate dal cibo e collocare gli alimenti all'interno dell'apparecchio per consentire una ventilazione adeguata. Assicurarsi che la porta possa essere completamente chiusa. Per rimuovere il gelo, fare riferimento alla sezione pulizia e manutenzione. |
| La temperatura all'interno è troppo calda | ➤ Si può avere lasciato le porte aperte troppo a lungo o troppo spesso; o le porte sono tenute aperte da qualche ostacolo; o l'apparecchio si trova con spazio insufficiente ai lati, posteriormente e superiormente. |
| La temperatura all'interno è troppo fredda | ➤ Aumentare la temperatura secondo il capitolo "Pannello di Controllo". |
| Le porte non possono essere chiuse con facilità | ➤ Controllare che la parte superiore del frigorifero sia inclinata all'indietro di 10-15mm per consentire alle porte di chiudersi da sole o se qualcosa dentro impedisce alle porte di chiudersi. |

Smaltimento dell'apparecchio

È vietato smaltire questo apparecchio come rifiuto domestico.

Materiali di imballaggio

I materiali di imballaggio con il simbolo di riciclaggio sono riciclabili. Smaltire l'imballaggio in un contenitore di raccolta dei rifiuti idoneo.

Prima dello smaltimento dell'apparecchio

1. Estrarre la spina dalla presa di corrente.
2. Staccare il cavo di alimentazione e smaltirlo con la spina.

Avvertenza! I frigoriferi contengono refrigerante e gas nell'isolamento. Il refrigerante e i gas devono essere smaltiti professionalmente in quanto possono causare lesioni agli occhi o combustione. Assicurarsi che la tubatura del circuito del refrigerante non sia danneggiata prima del corretto smaltimento.

Corretto smaltimento del prodotto



Questo simbolo sul prodotto o nella sua confezione indica che il prodotto non deve essere trattato come rifiuto domestico. Dovrebbe piuttosto essere trasportato nel punto di raccolta appropriato per il riciclaggio di apparecchiature elettriche ed elettroniche. Provvedendo a smaltire questo prodotto in modo appropriato, si contribuisce a evitare potenziali conseguenze negative per l'ambiente e la salute umana, che potrebbero altrimenti essere causate dallo smaltimento inadeguato del prodotto. Per informazioni più dettagliate circa il riciclaggio di questo prodotto, si prega di contattare il servizio locale di raccolta dei rifiuti domestici oppure il proprio rivenditore.

Hisense

life reimagined