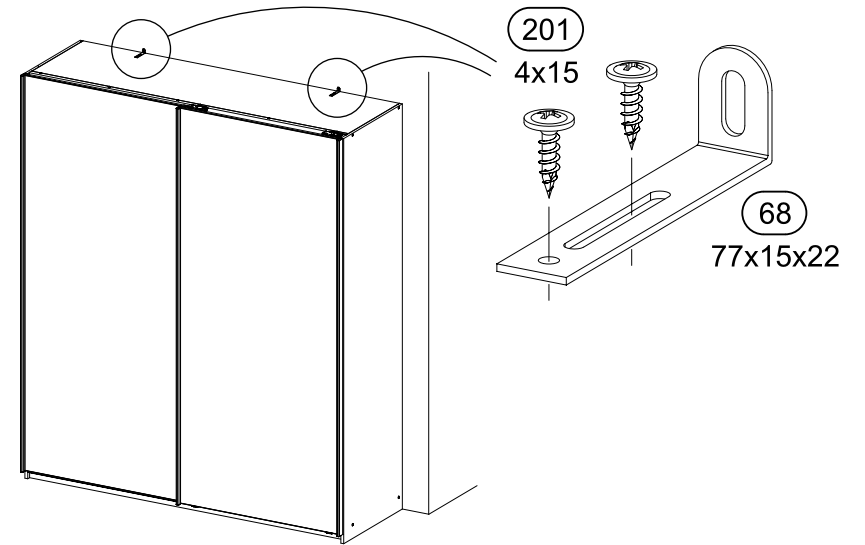
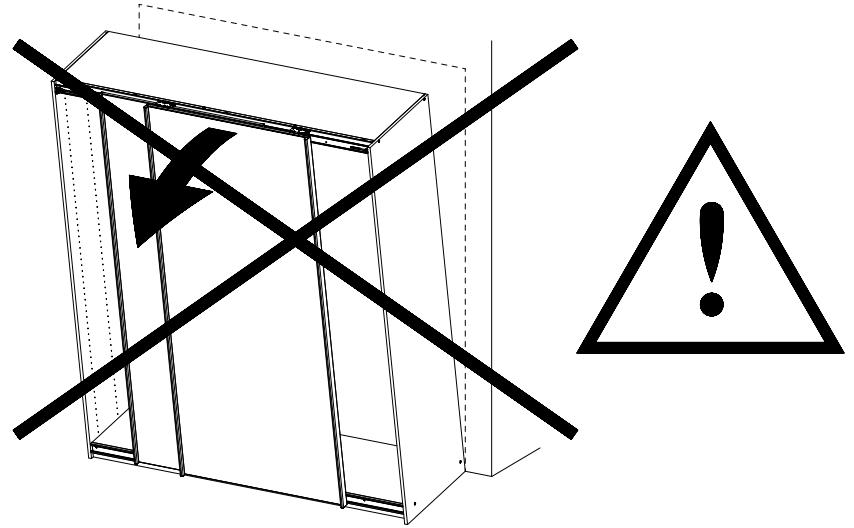
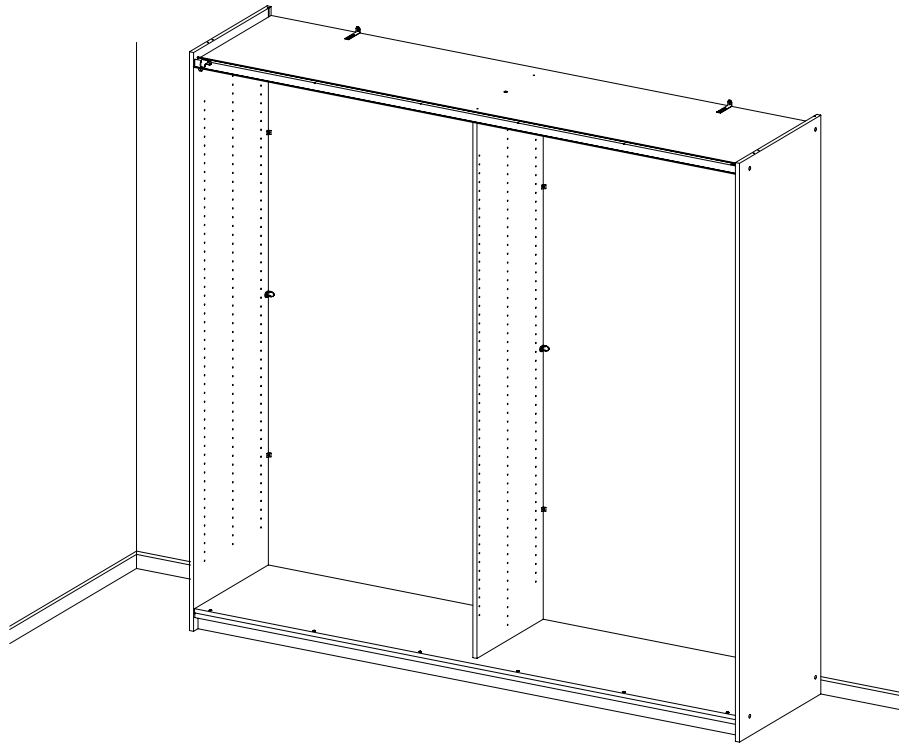
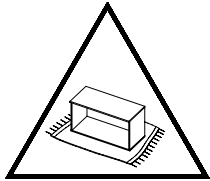
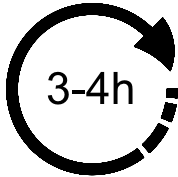
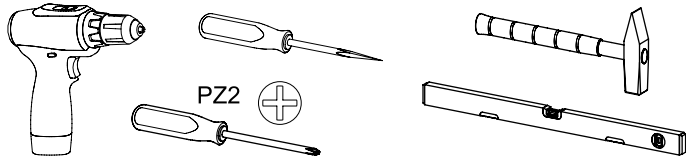


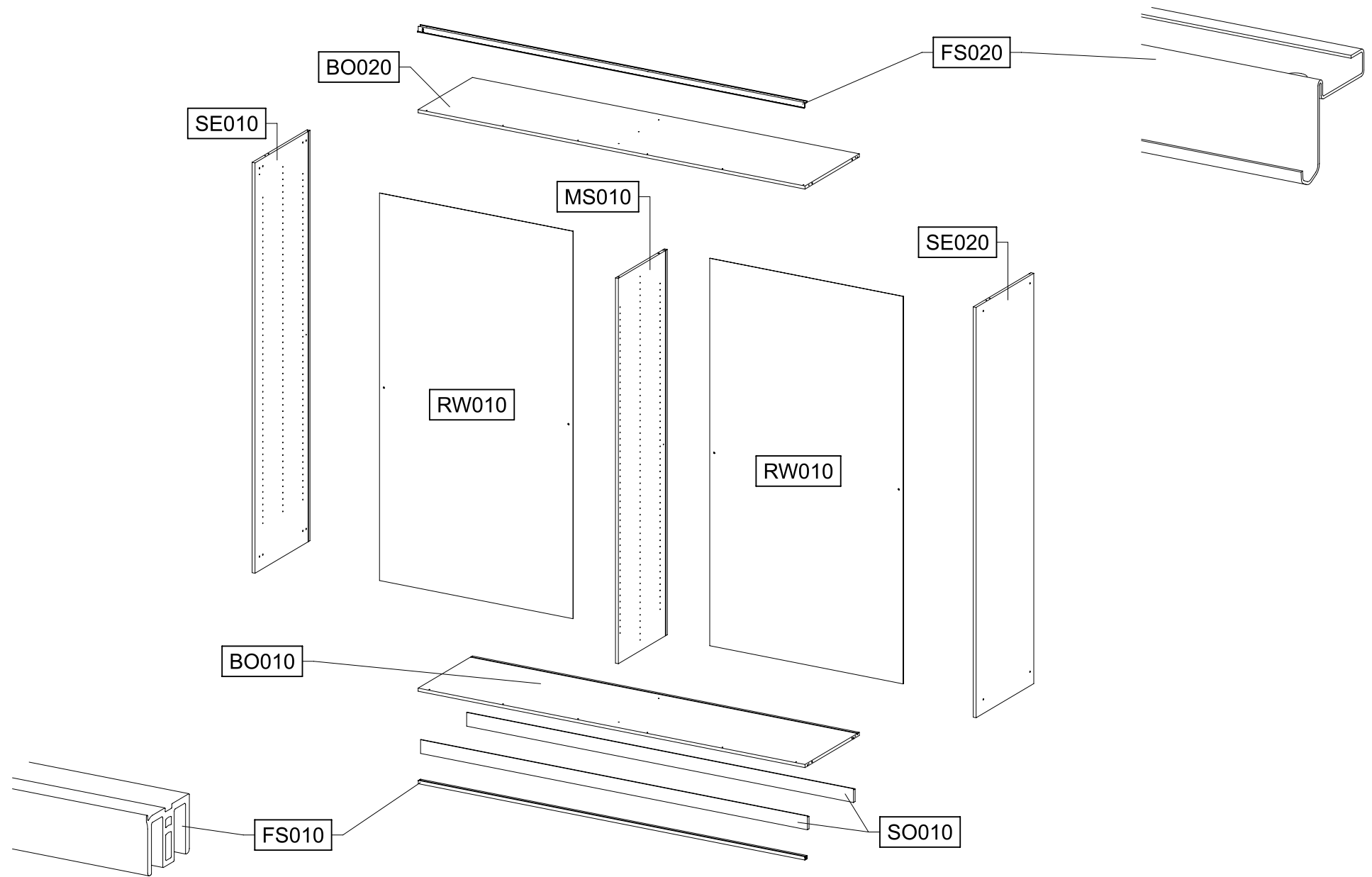
M2662_03

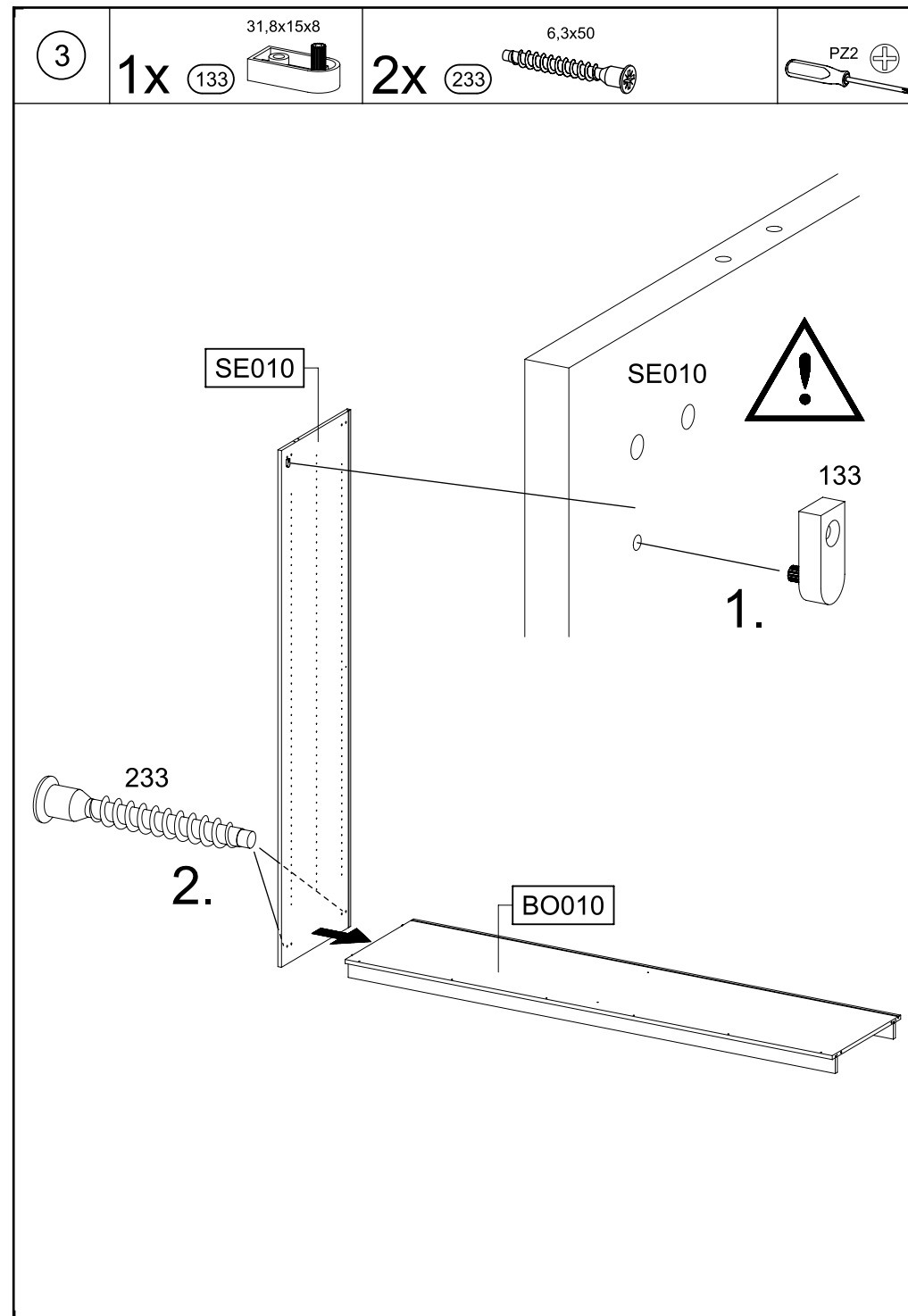
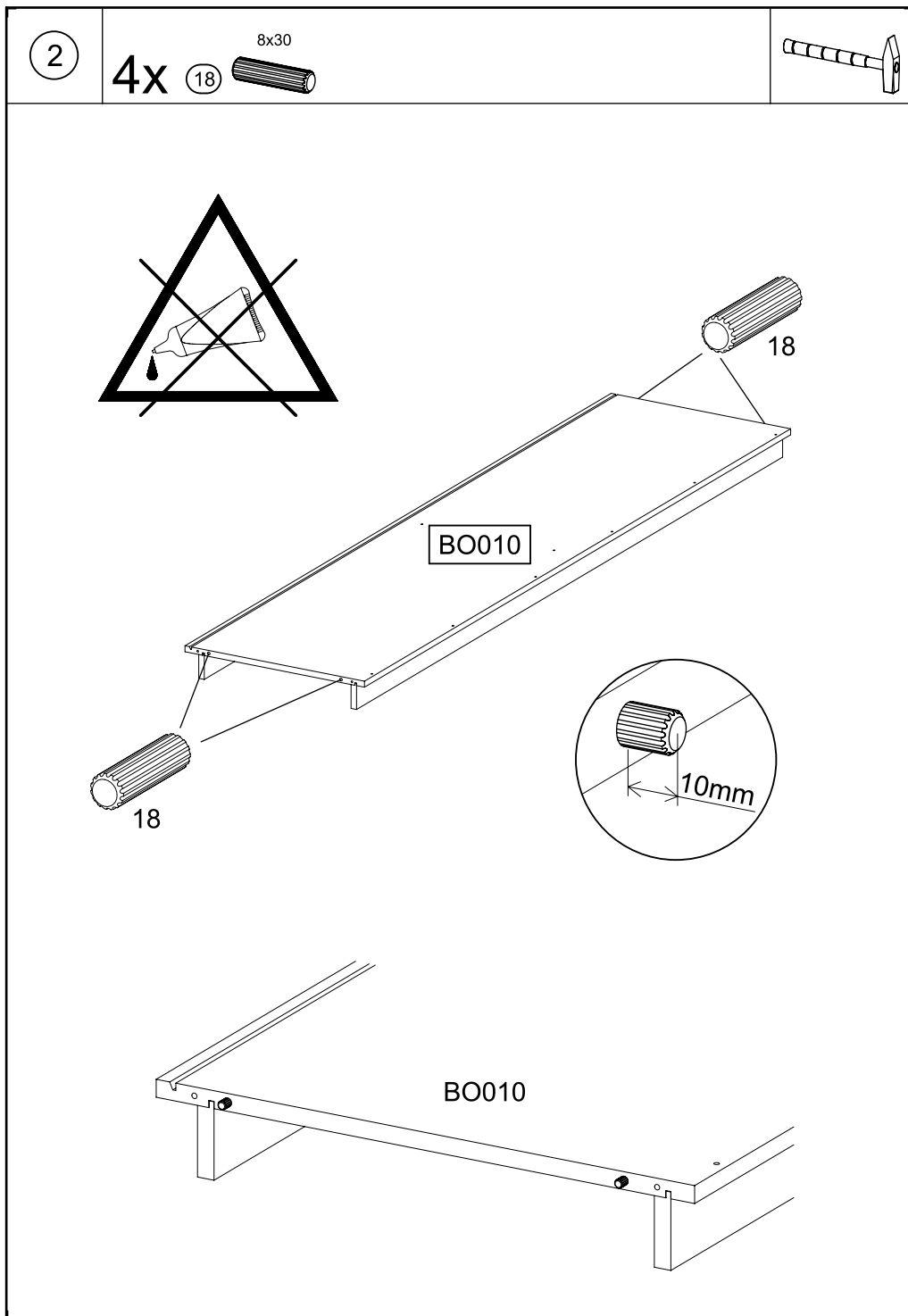


VIDEO



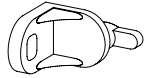
SCAN ME





4

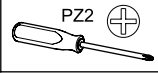
1x 1



1x 779



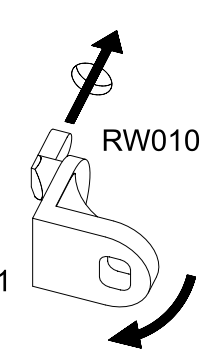
6,5x12



PZ2

1.

SE010



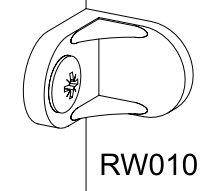
RW010

2.



779

SE010



RW010

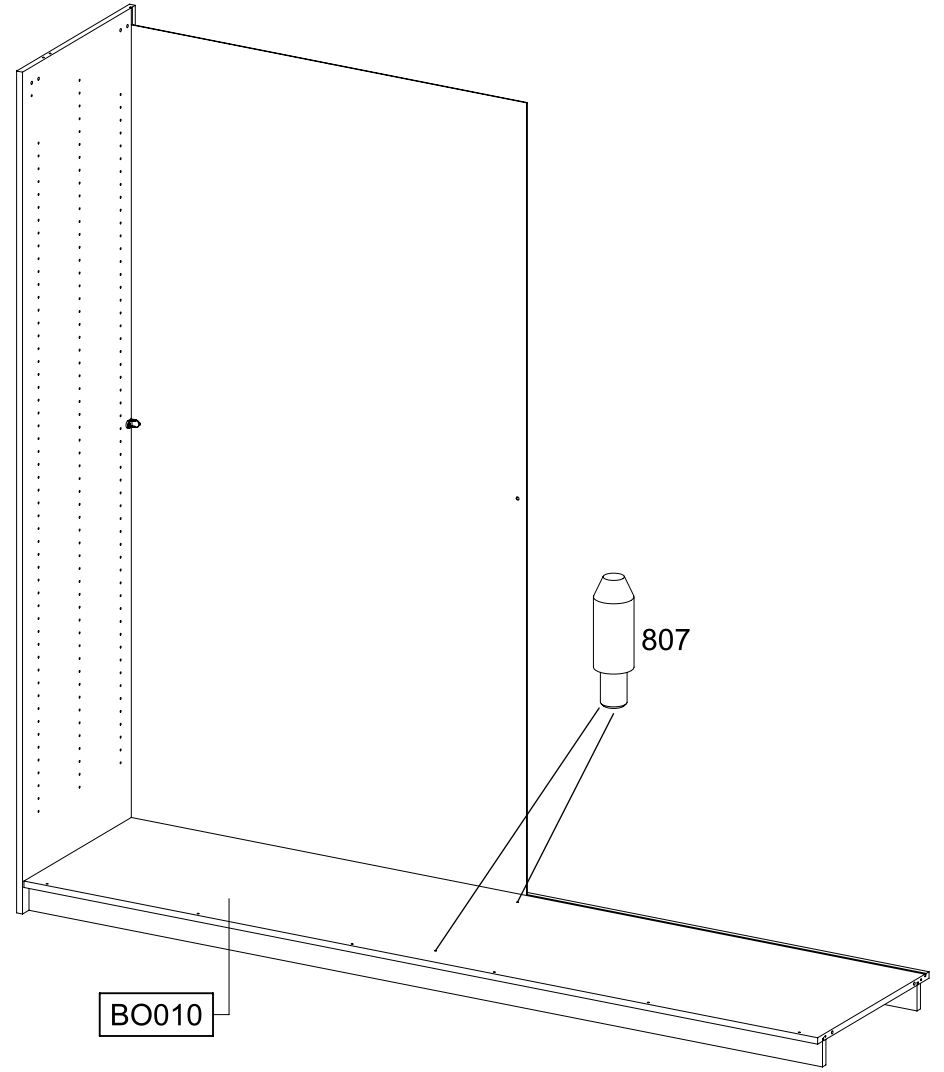
SE010

RW010



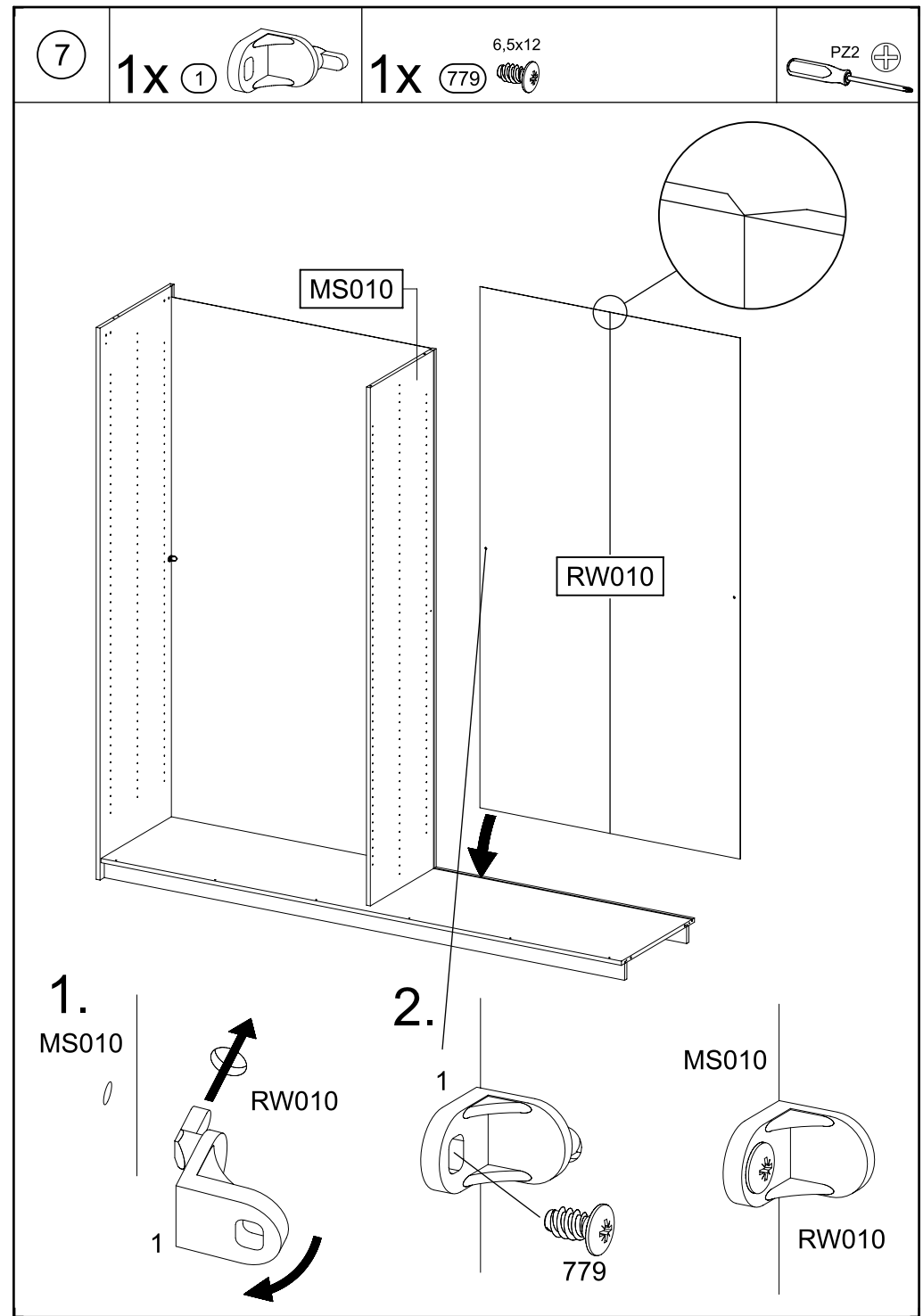
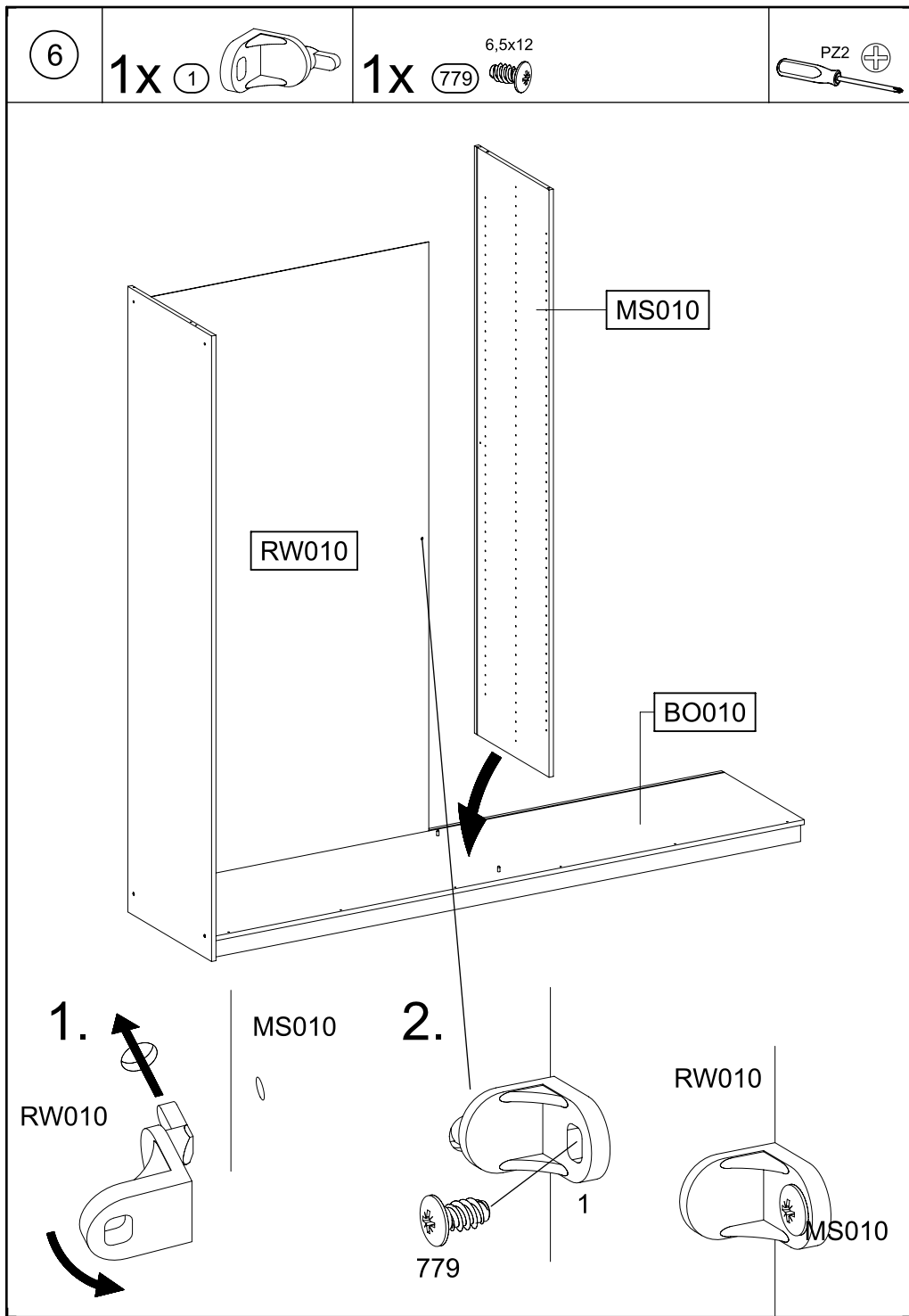
5

2x 807



BO010

807

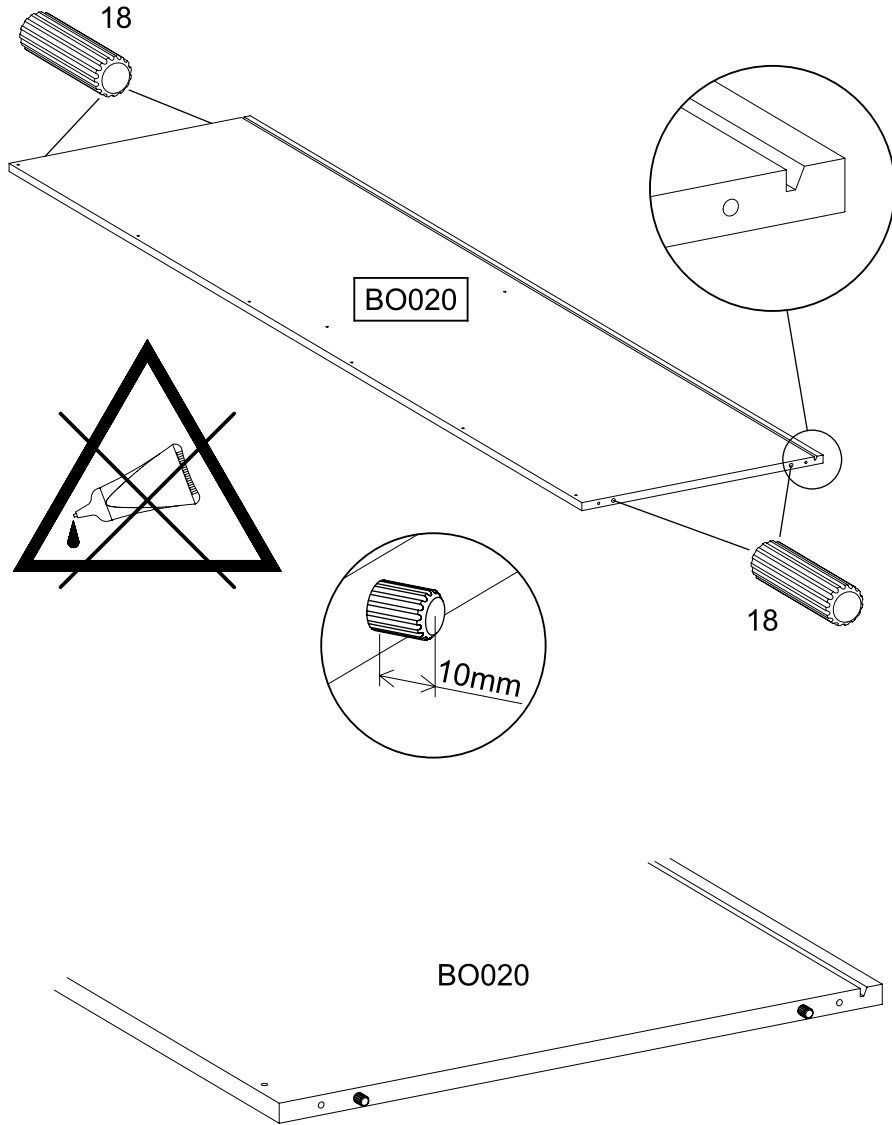
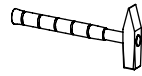


8

4x

18

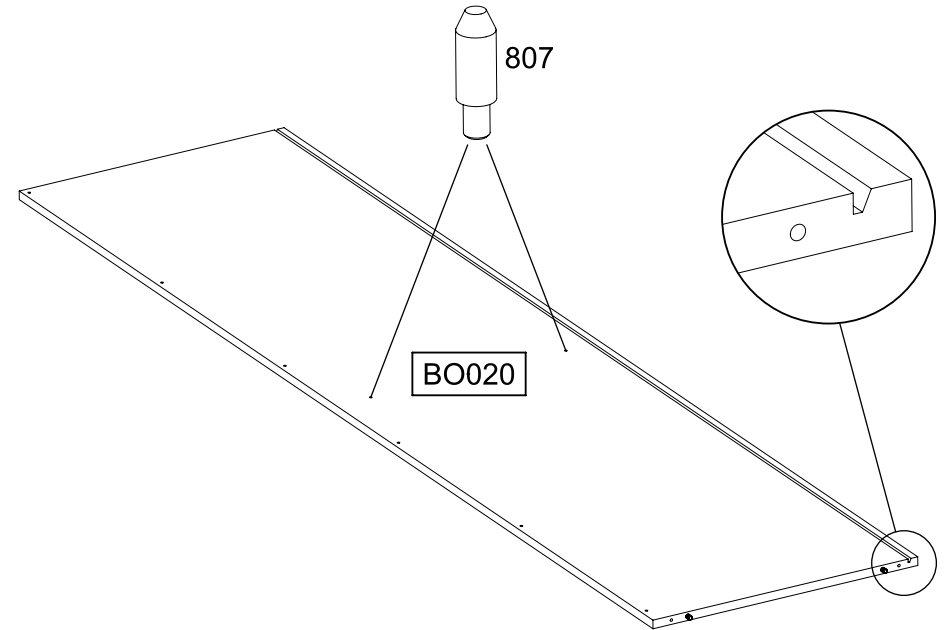
8x30

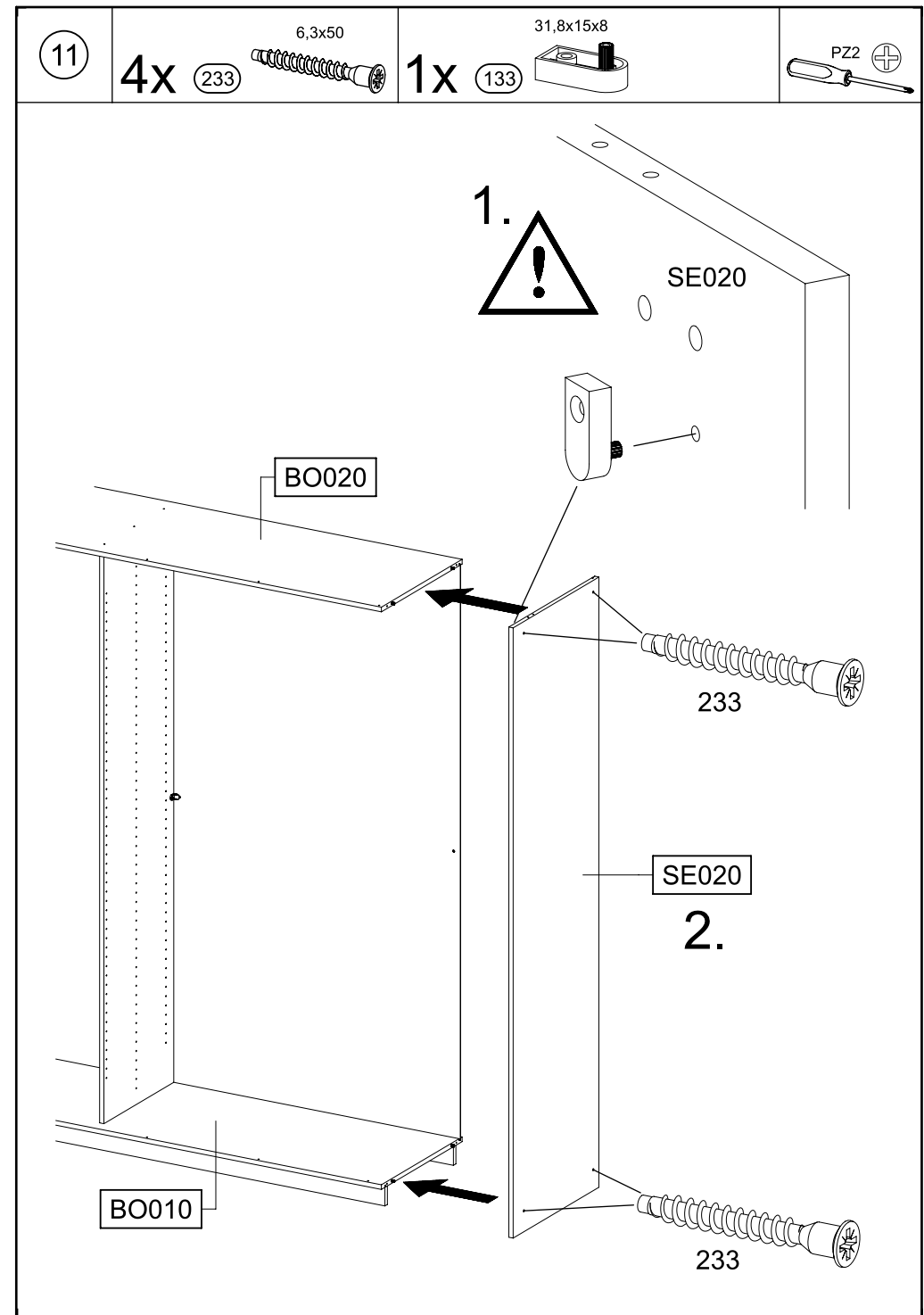
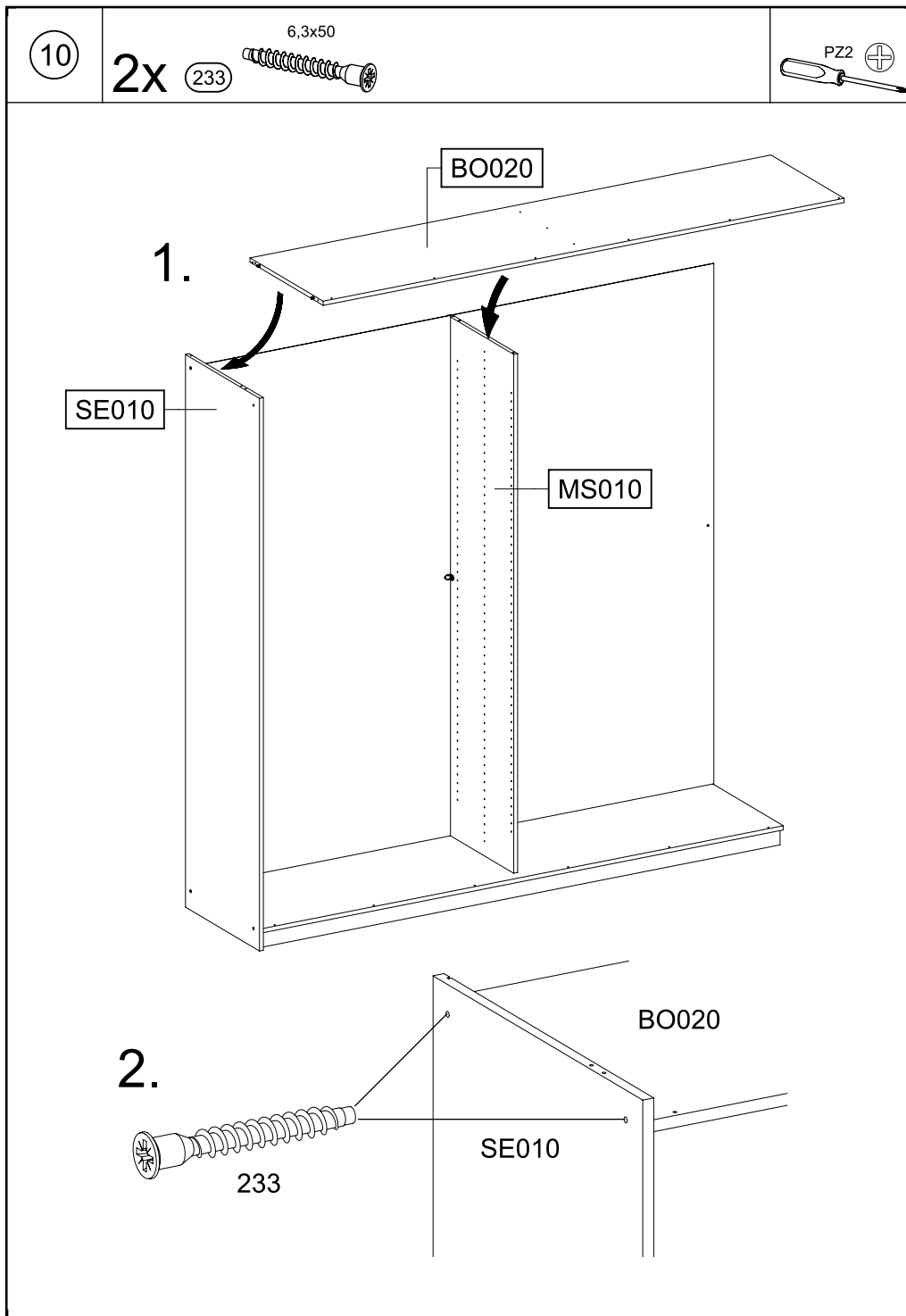


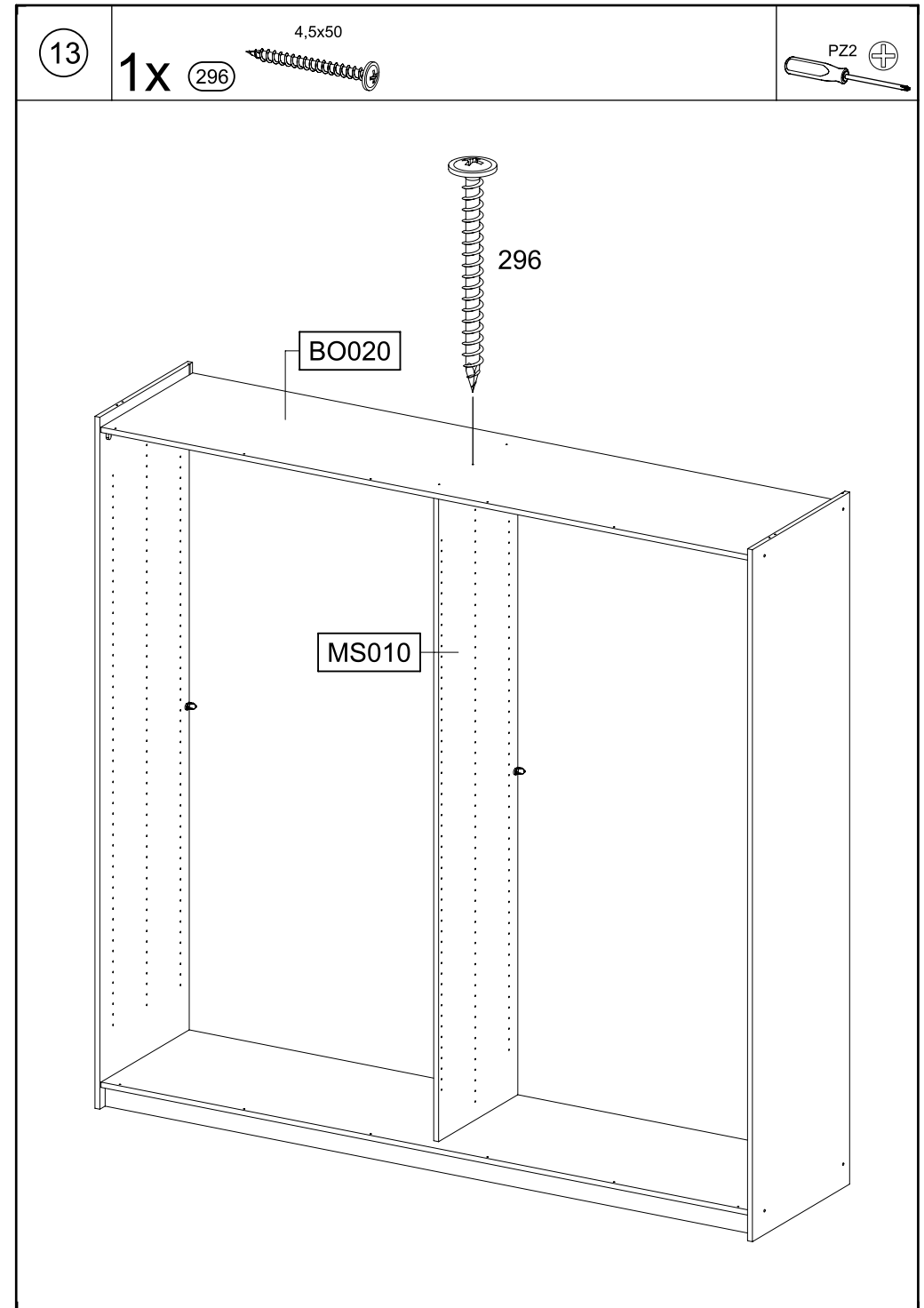
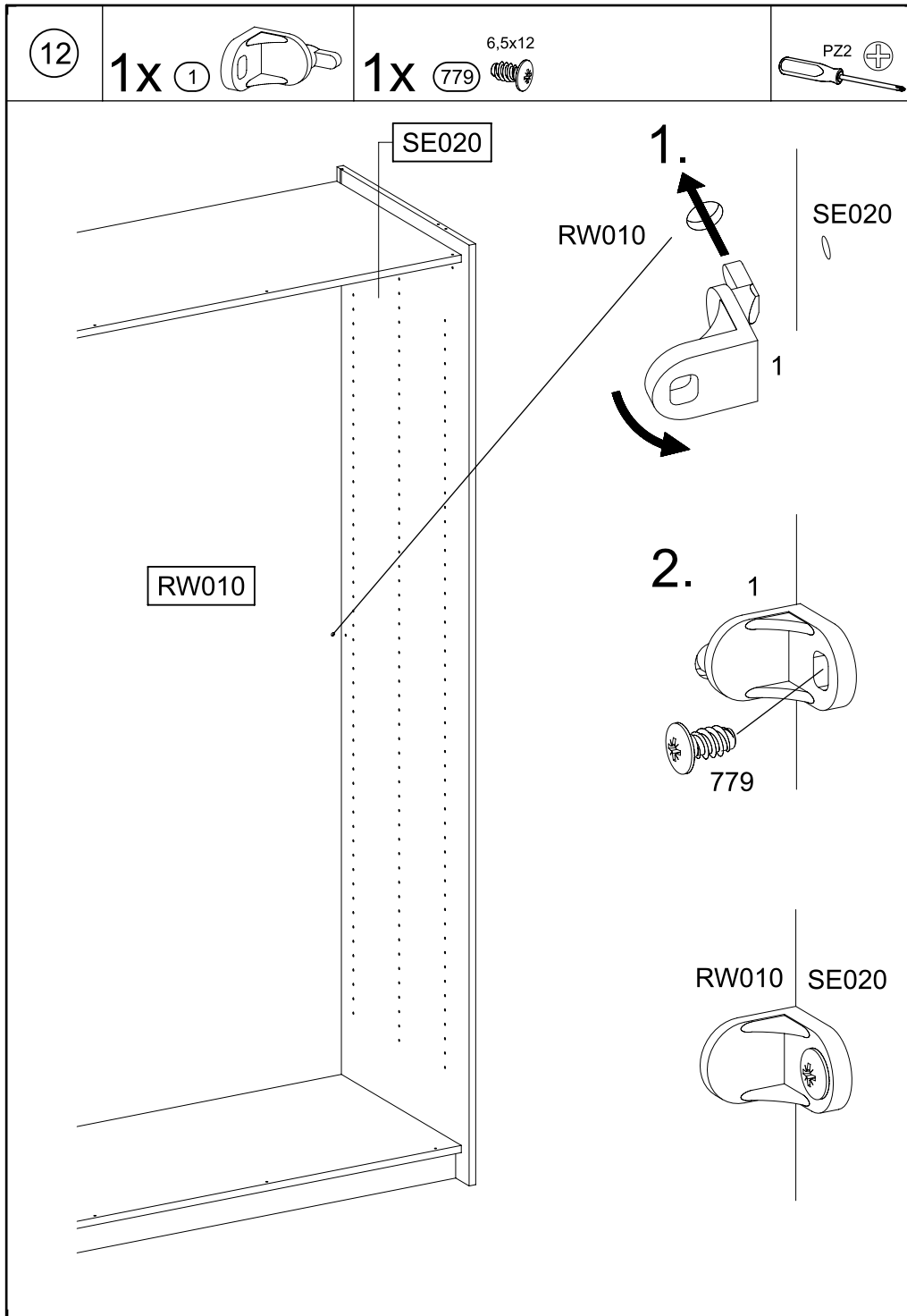
9

2x

807

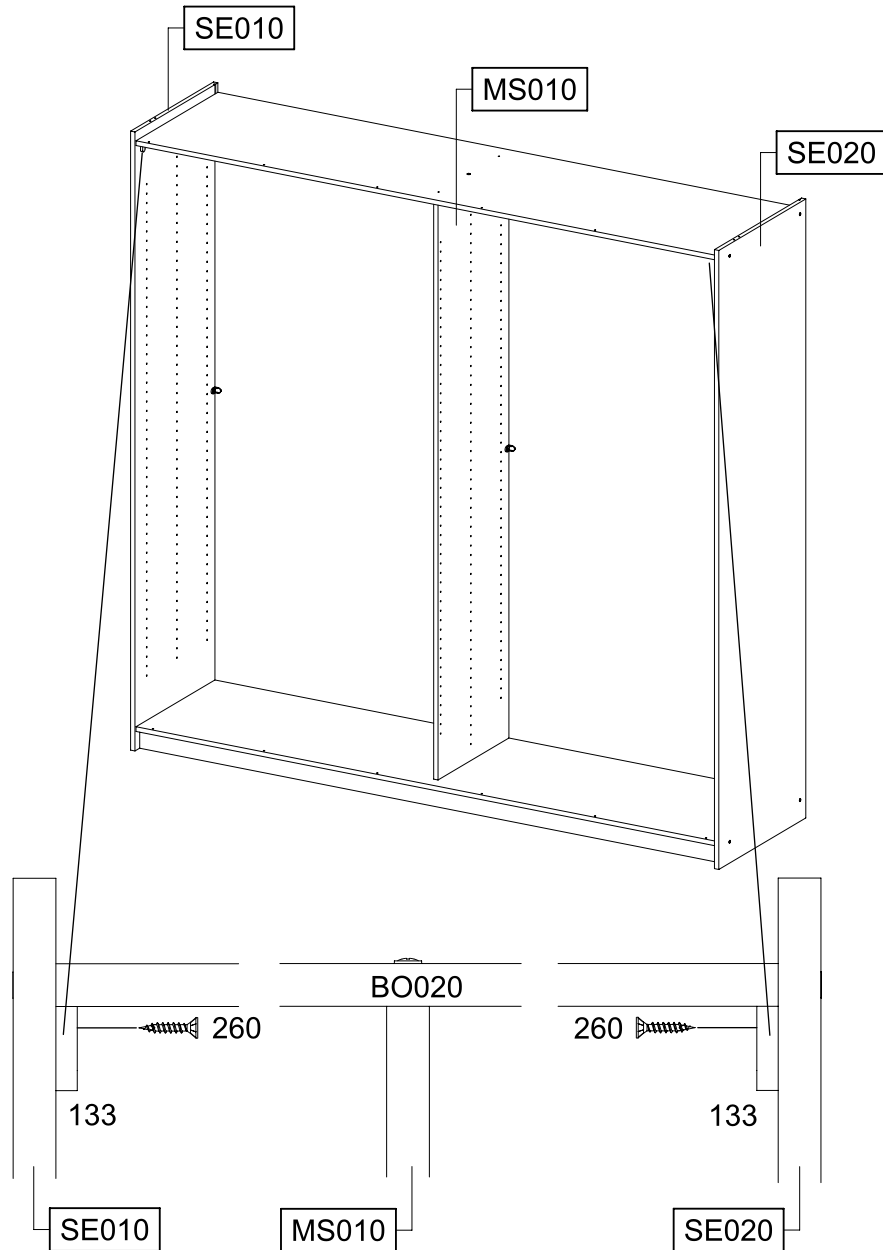
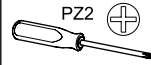






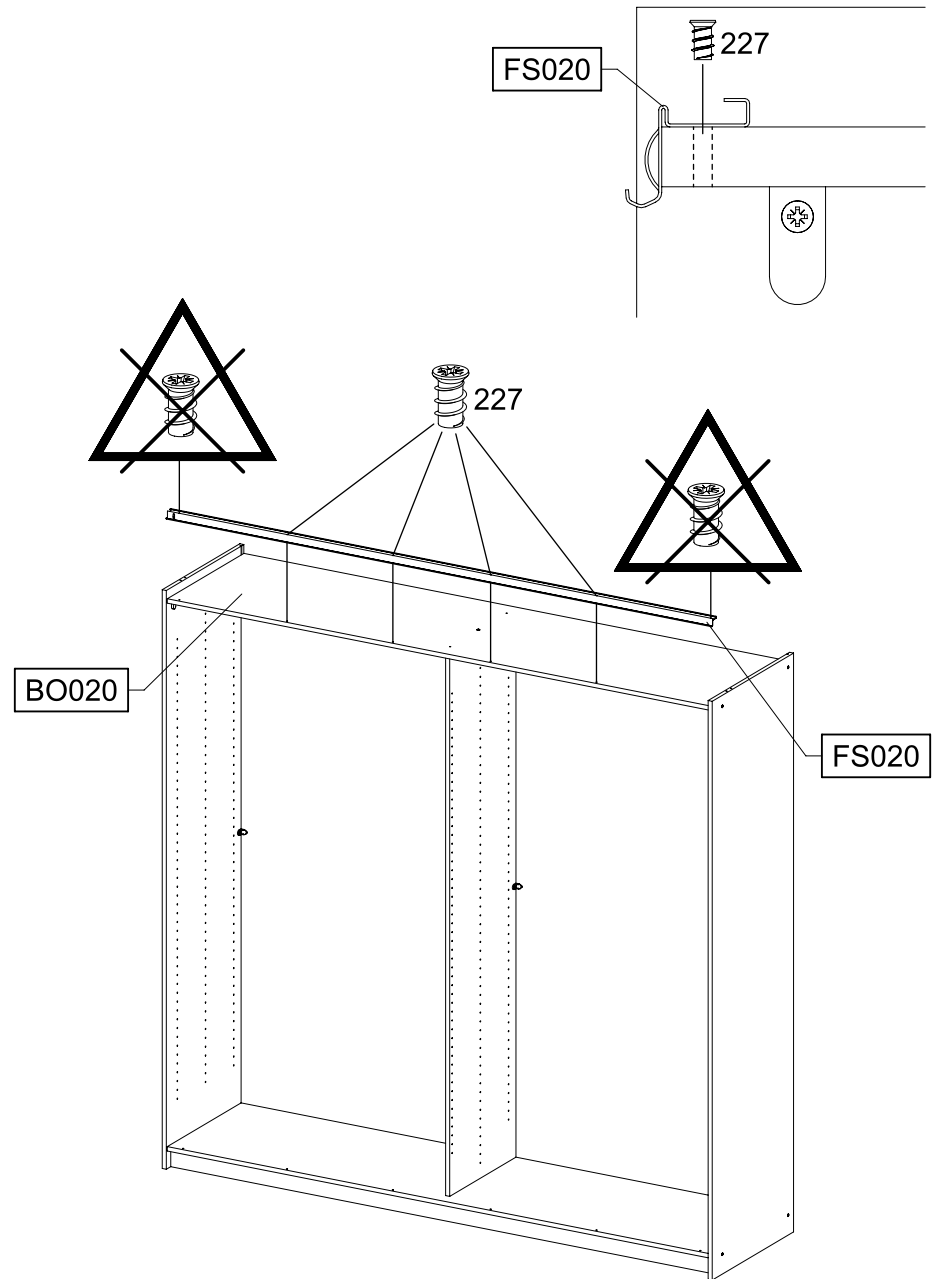
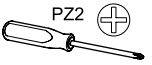
14

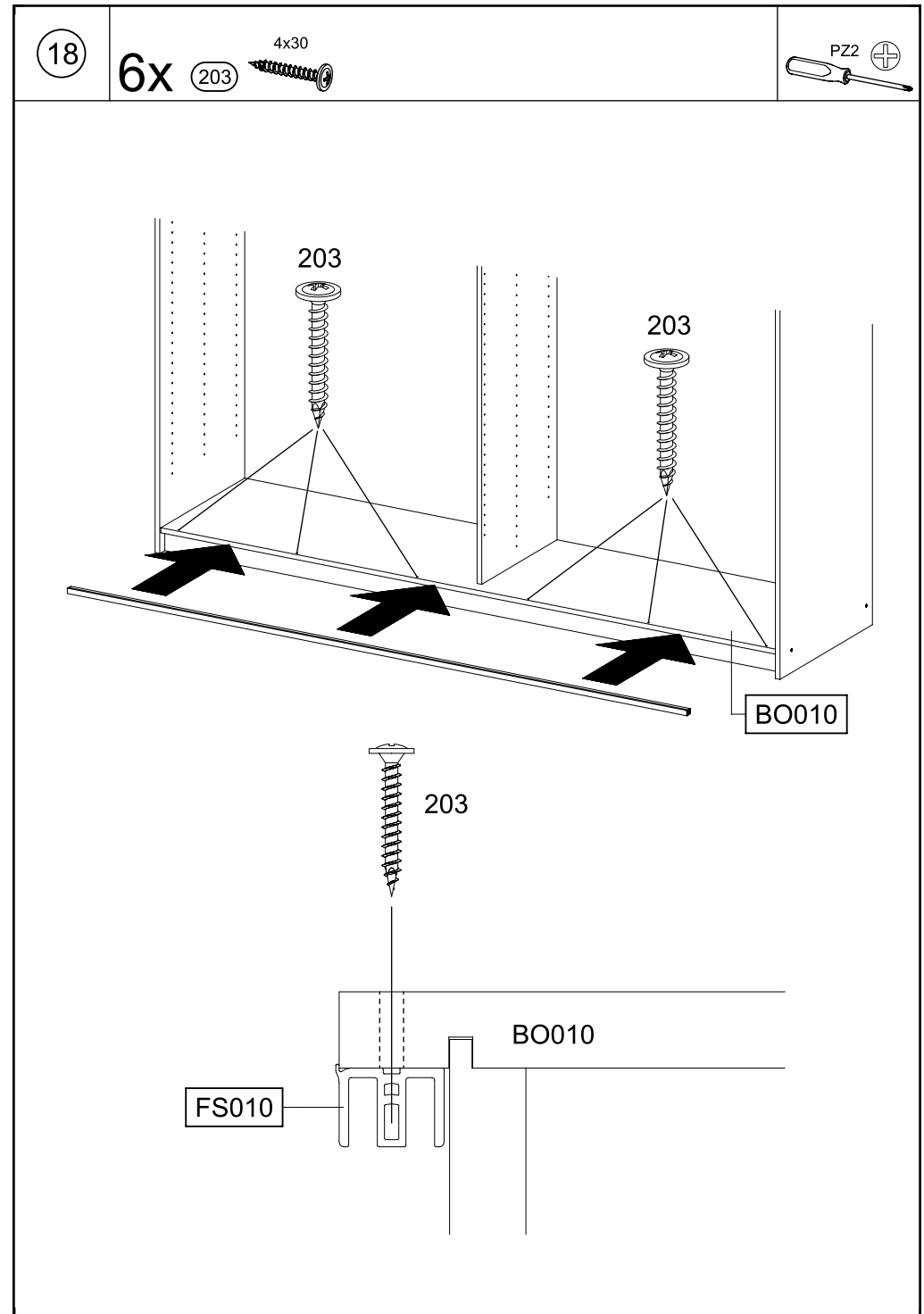
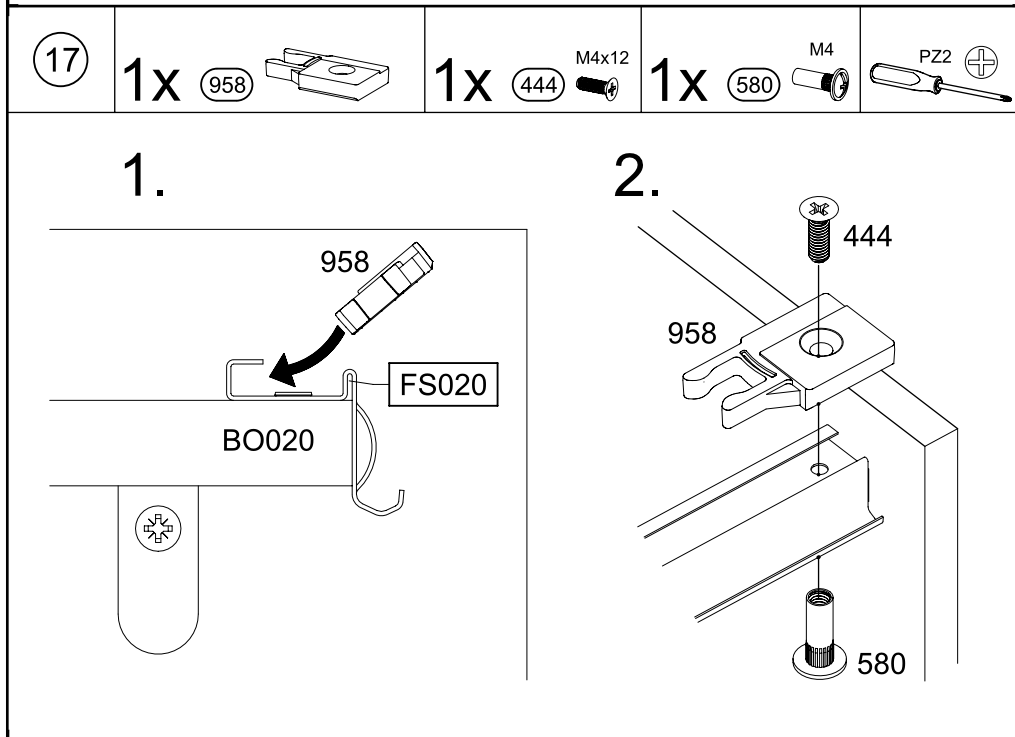
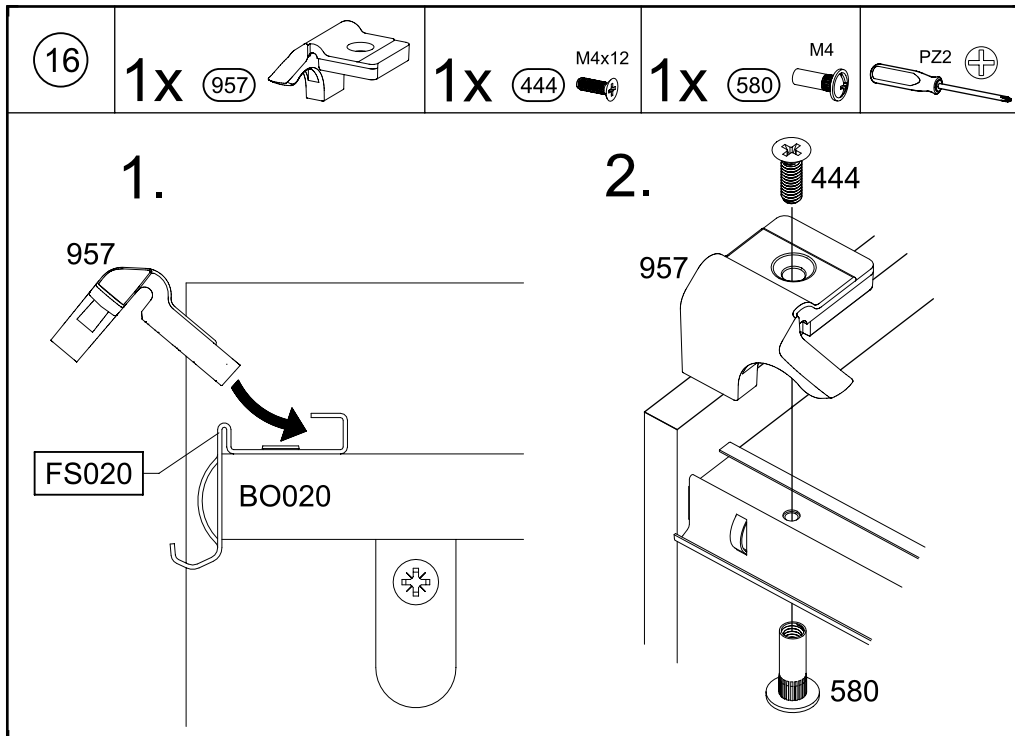
2x 260 4,0x22



15

4x 227 6x10,5





19

0-2x

12

55x16x6,2



4x

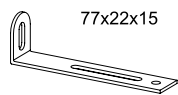
201

4x15



2x

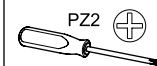
68



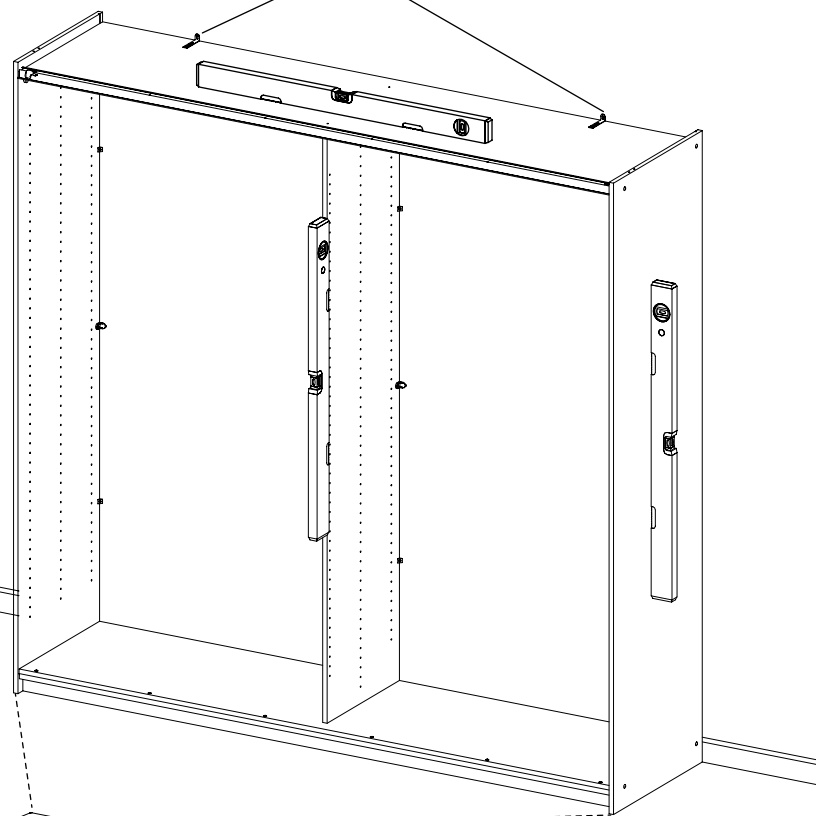
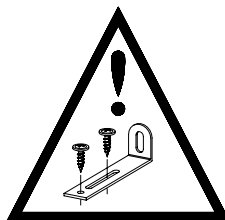
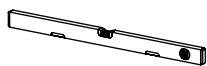
77x22x15



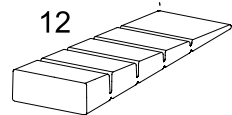
SCAN ME



PZ2



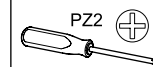
12



20

8x

45

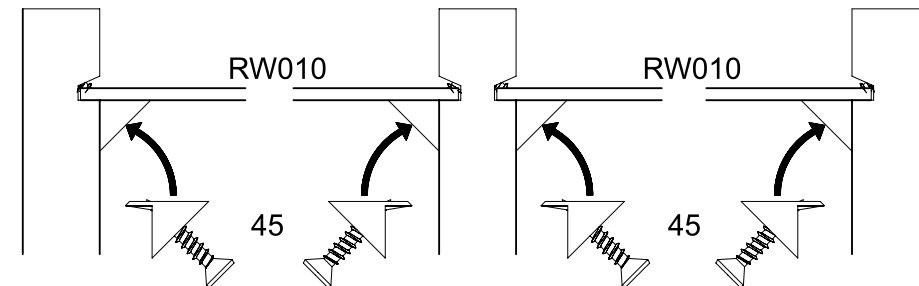


PZ2

SE010

MS010

SE020



RW010

RW010

45

45

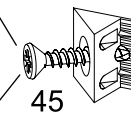
SE010

MS010

SE020

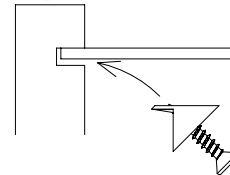


45

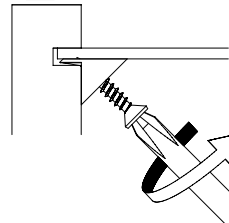


45

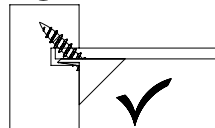
1.



2.



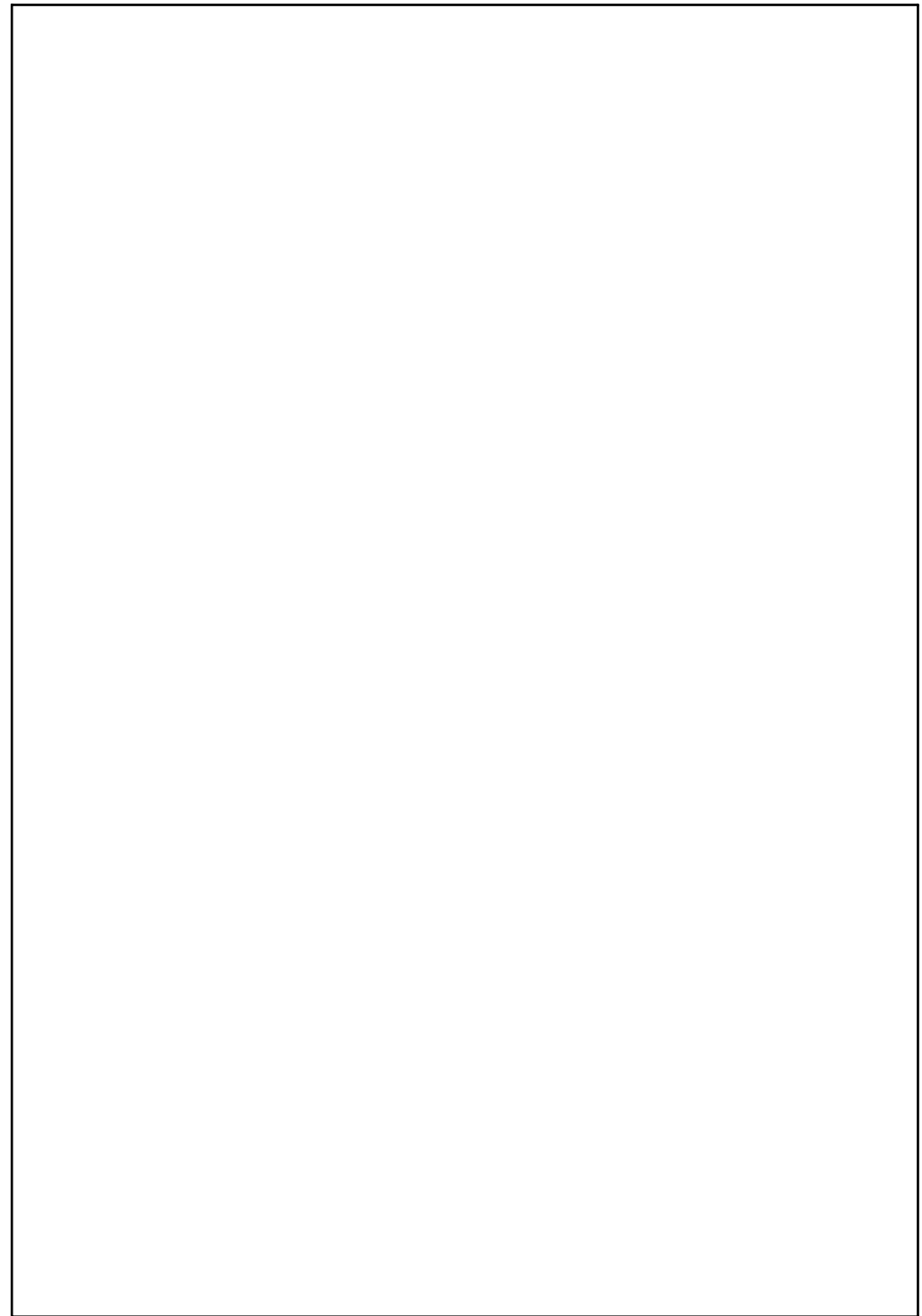
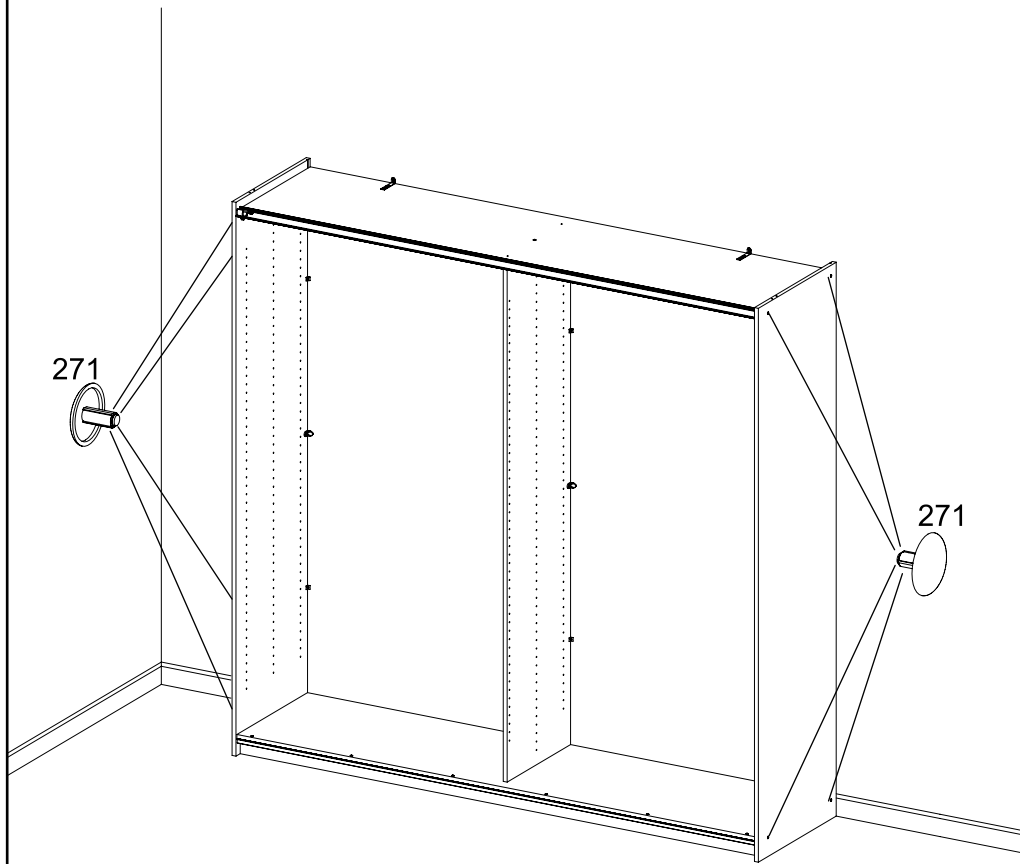
3.



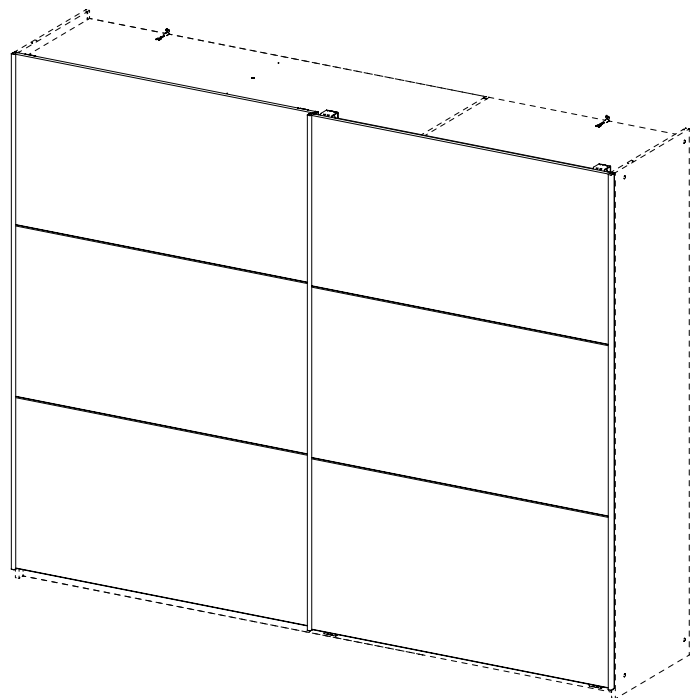
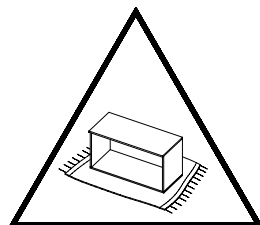
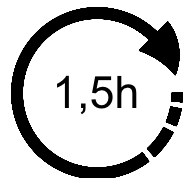
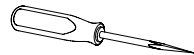
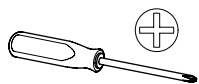
21

8x

271



M9950_01



52x

3,5x12

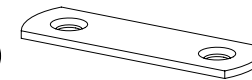
(88)



6x

48x15x1,5

(160)



6x

(177)



24x

6x10,5

(227)



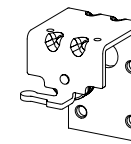
2x

(951)



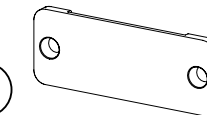
2x

(952)



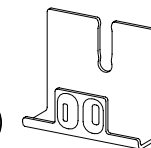
4x

(953)



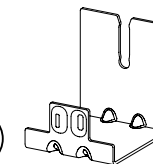
2x

(954)



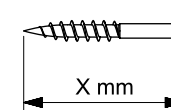
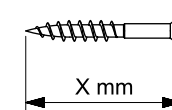
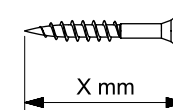
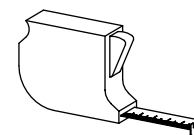
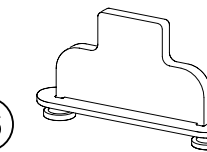
2x

(955)

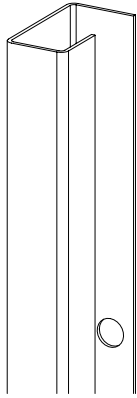


1x

(956)



GL010



PR010



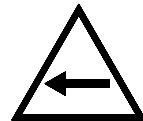
GL010

PR010

TU030

TU020

TU010



GL010

GL010

TU060

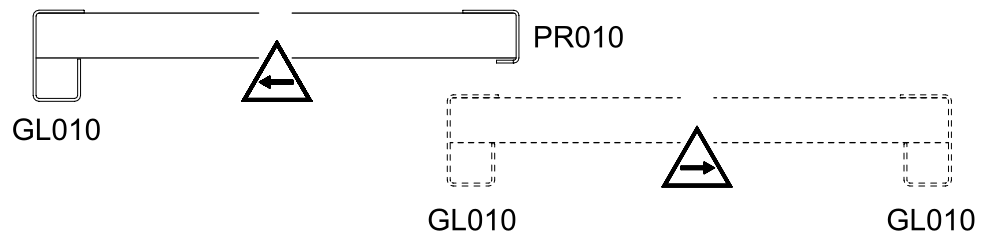
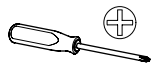
TU050

TU040

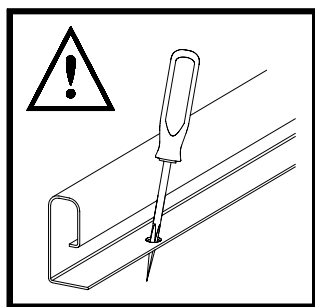


1

4x 3,5x12
88

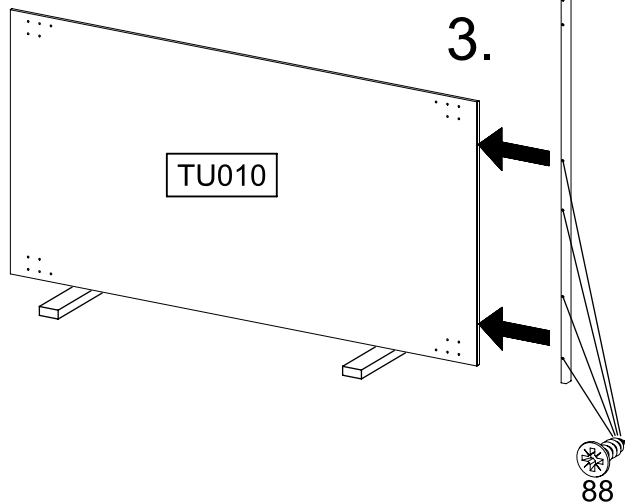
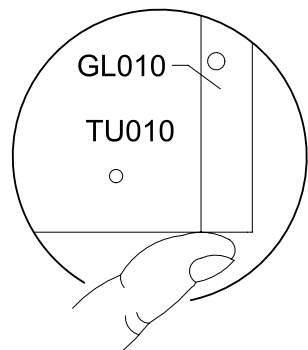


1.



GL010

2.



3.

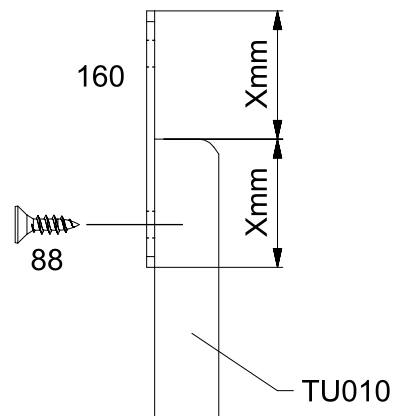
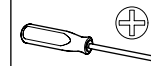
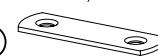
TU010

88

2

1x 3,5x12
88

1x 48x15x1,5
160



88

TU010

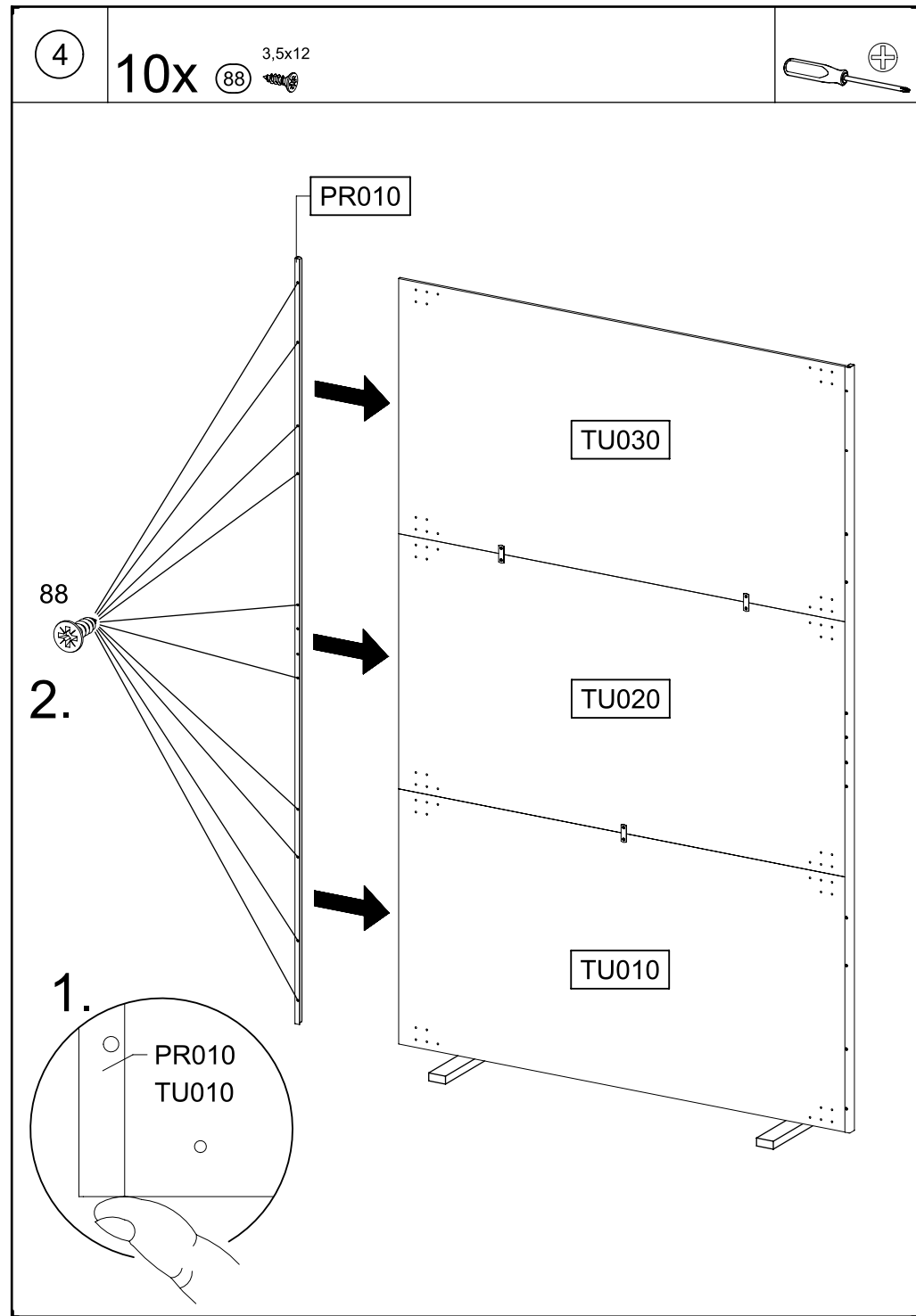
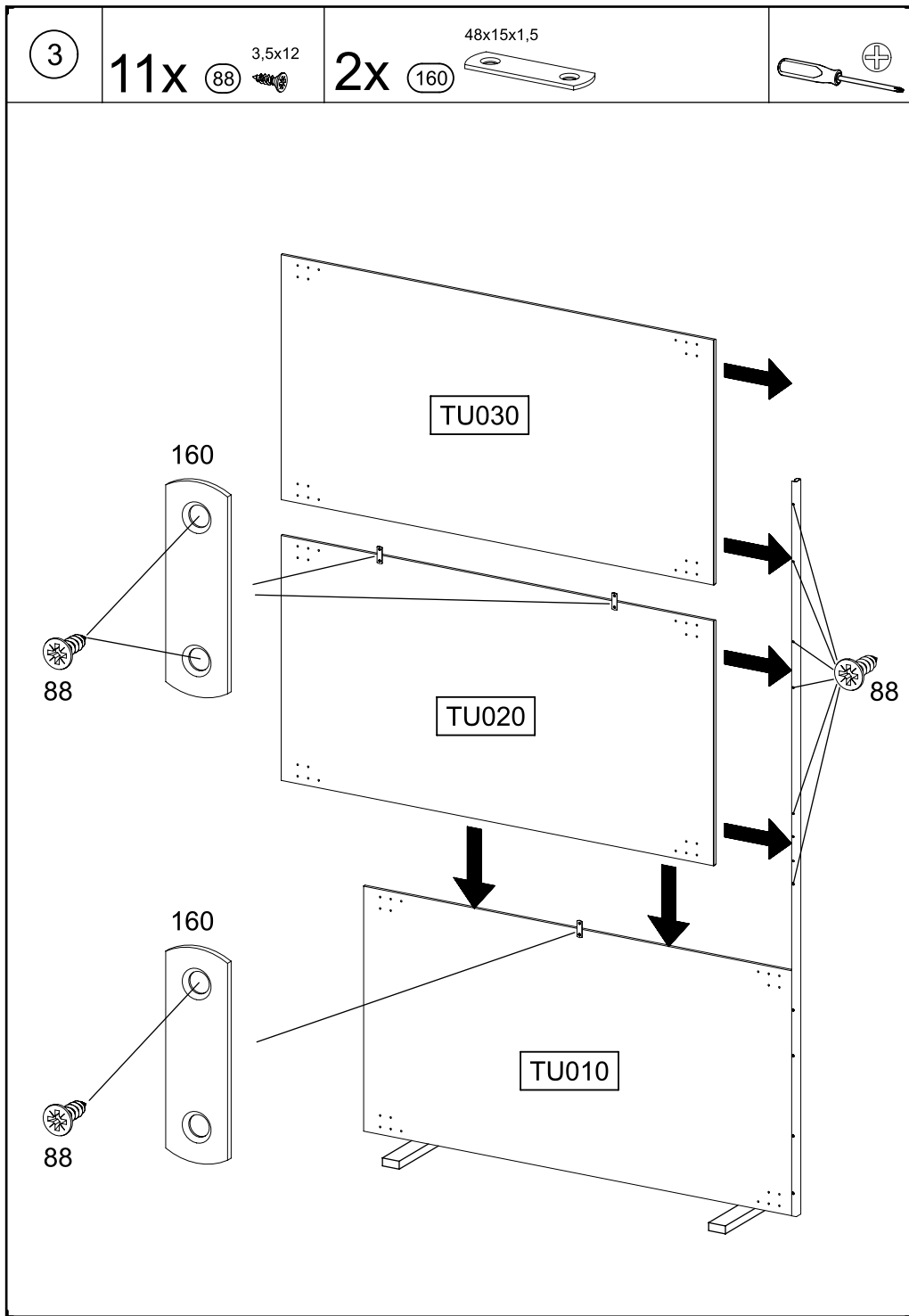
1/2

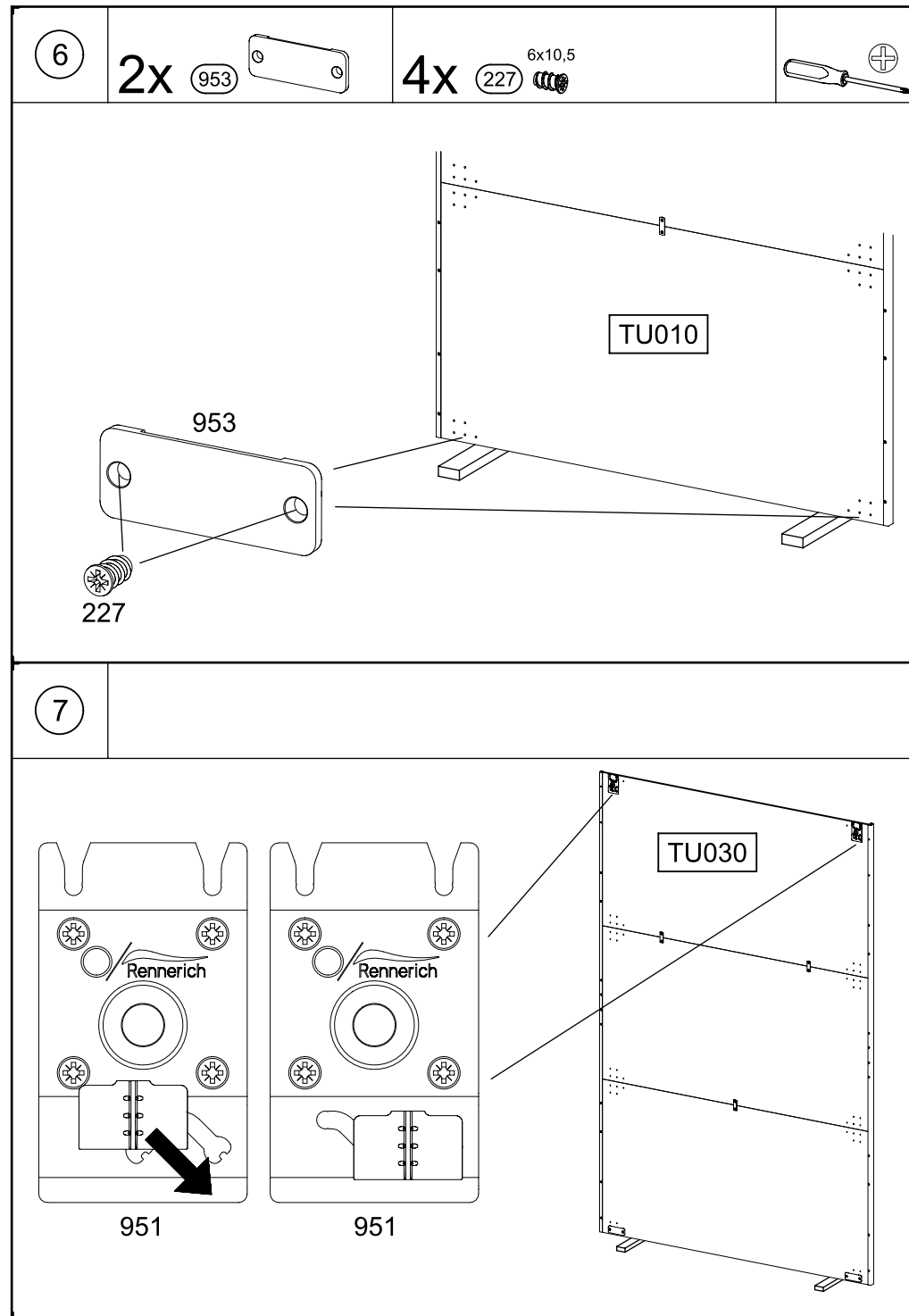
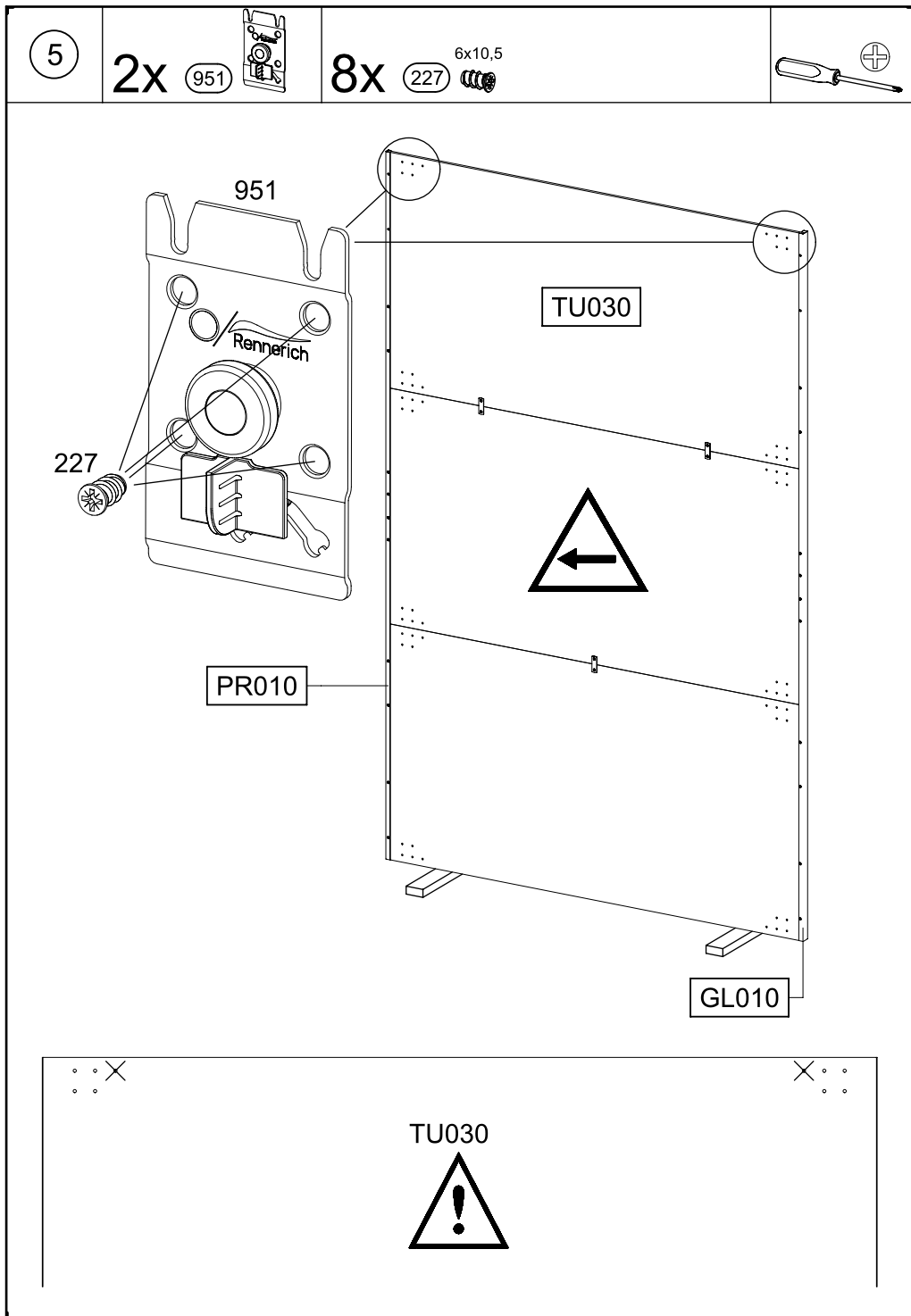
1/2

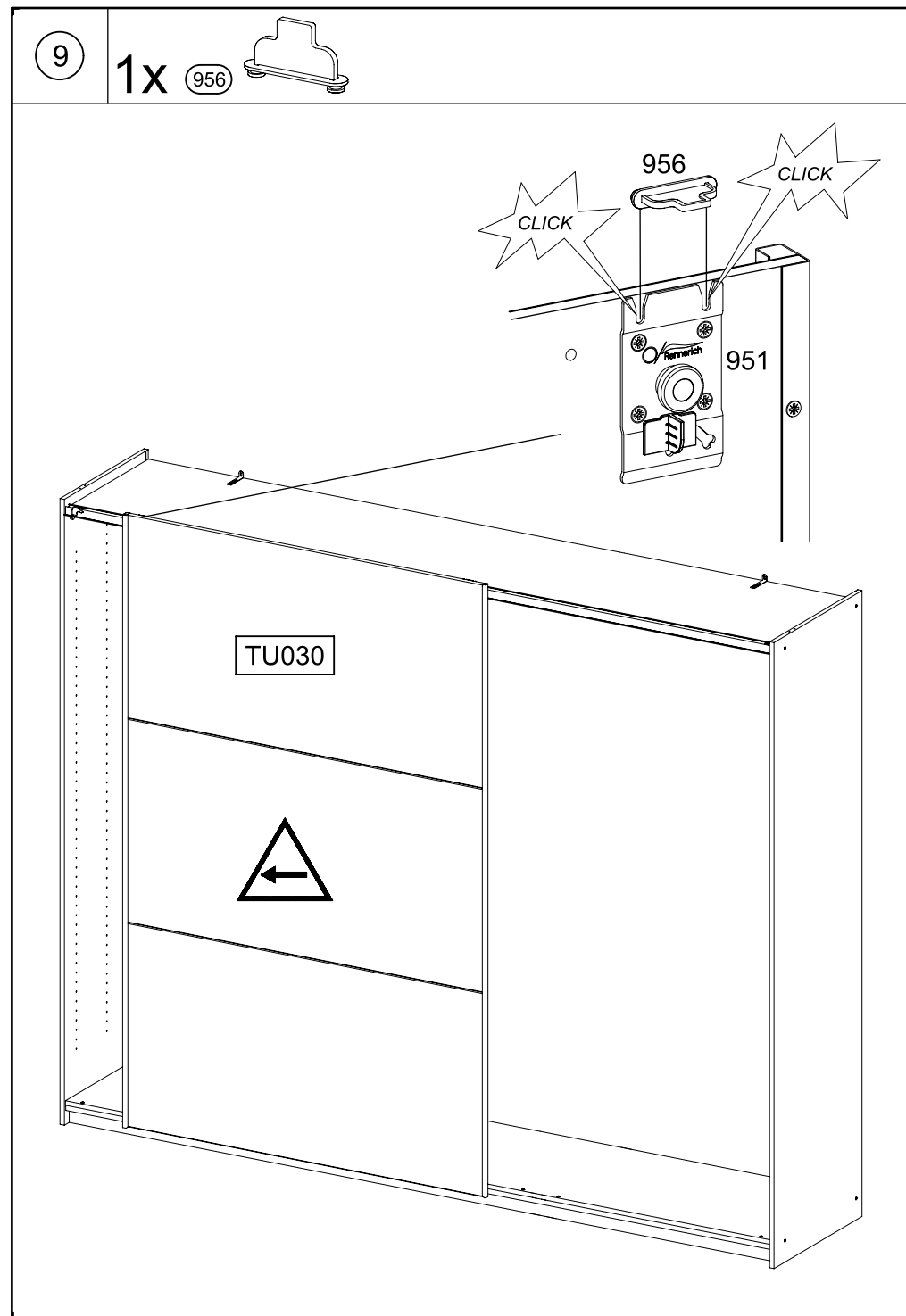
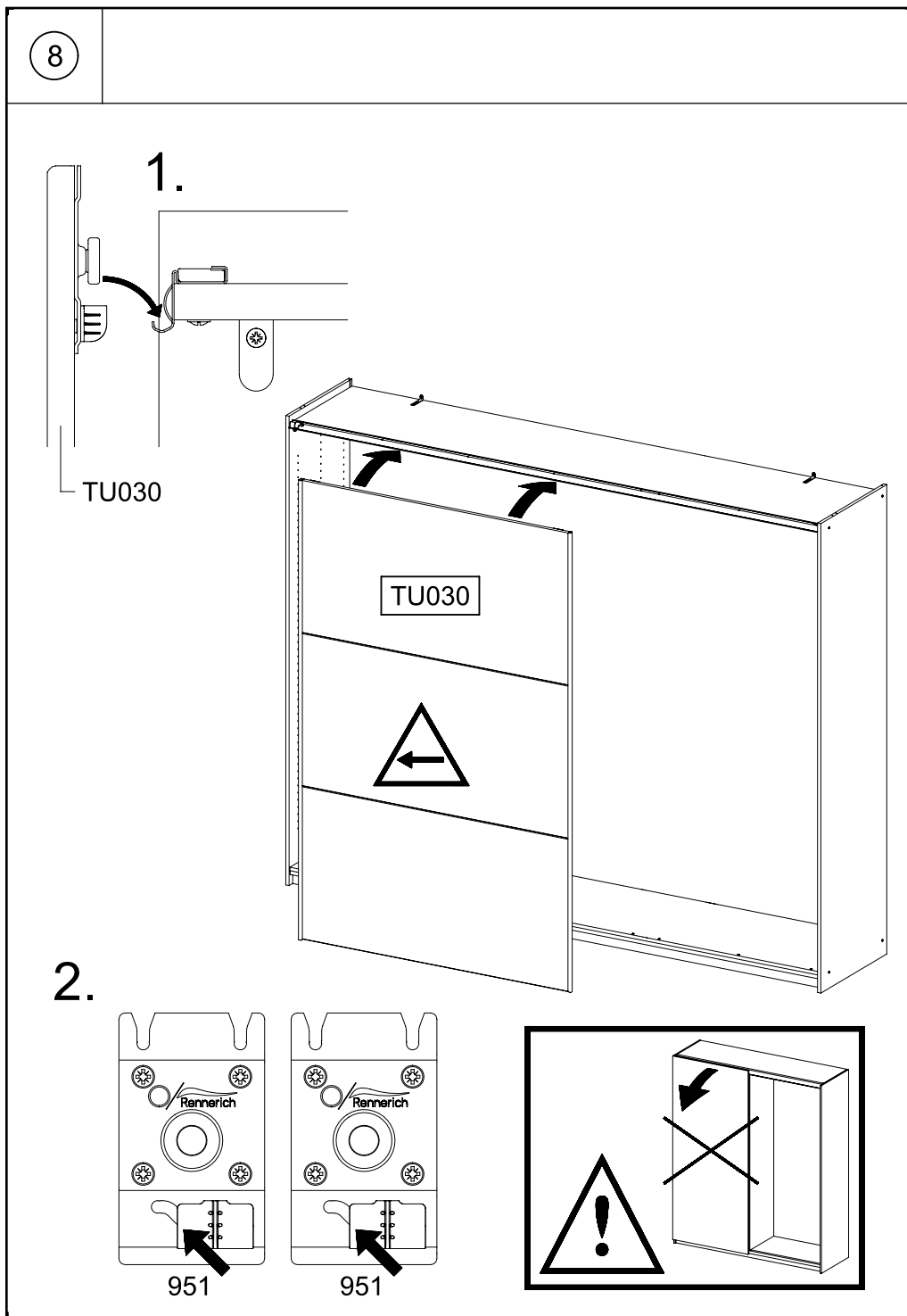
160

TU010

88

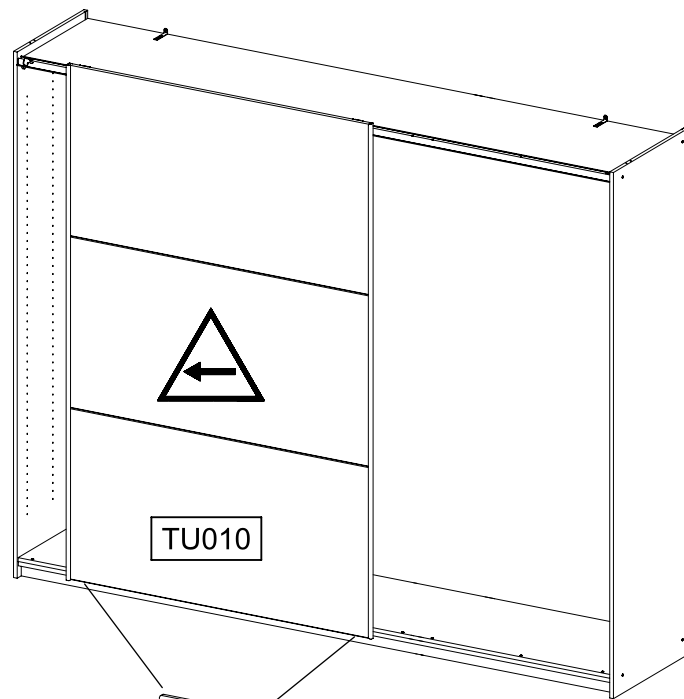






10

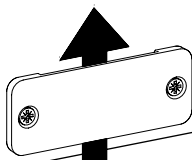
2x 954



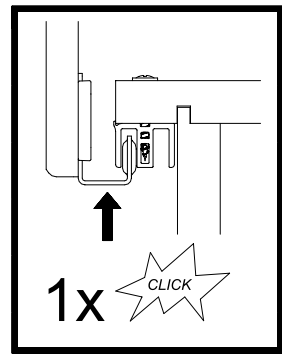
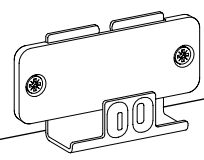
TU010

954

1.



2.

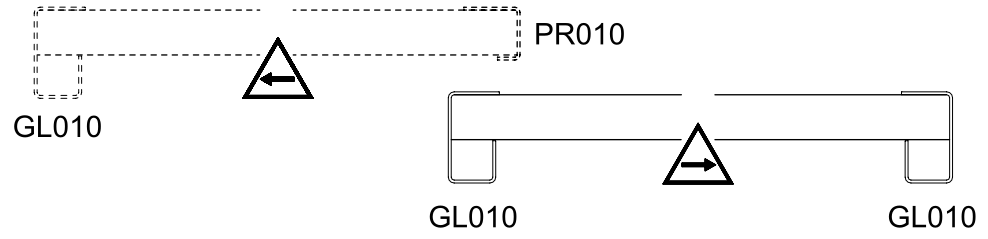
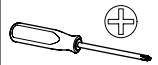


1x

CLICK

11

4x 88 3,5x12



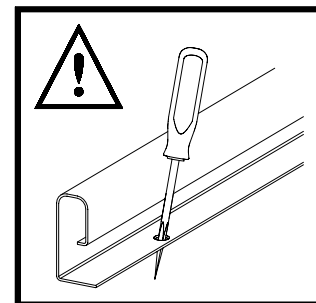
GL010

PR010

GL010

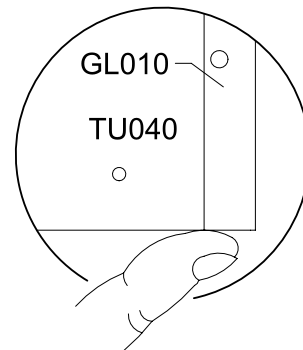
GL010

1.



GL010

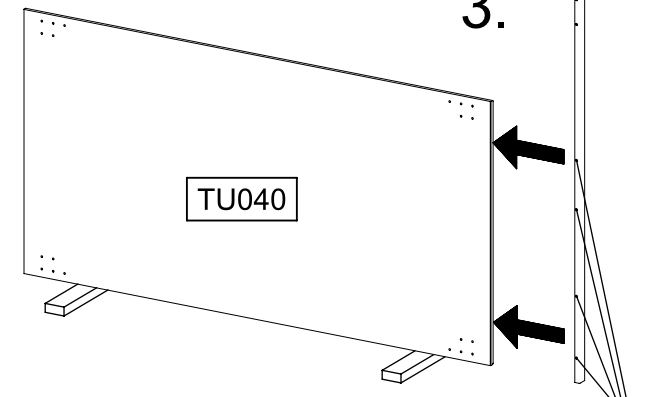
2.



GL010

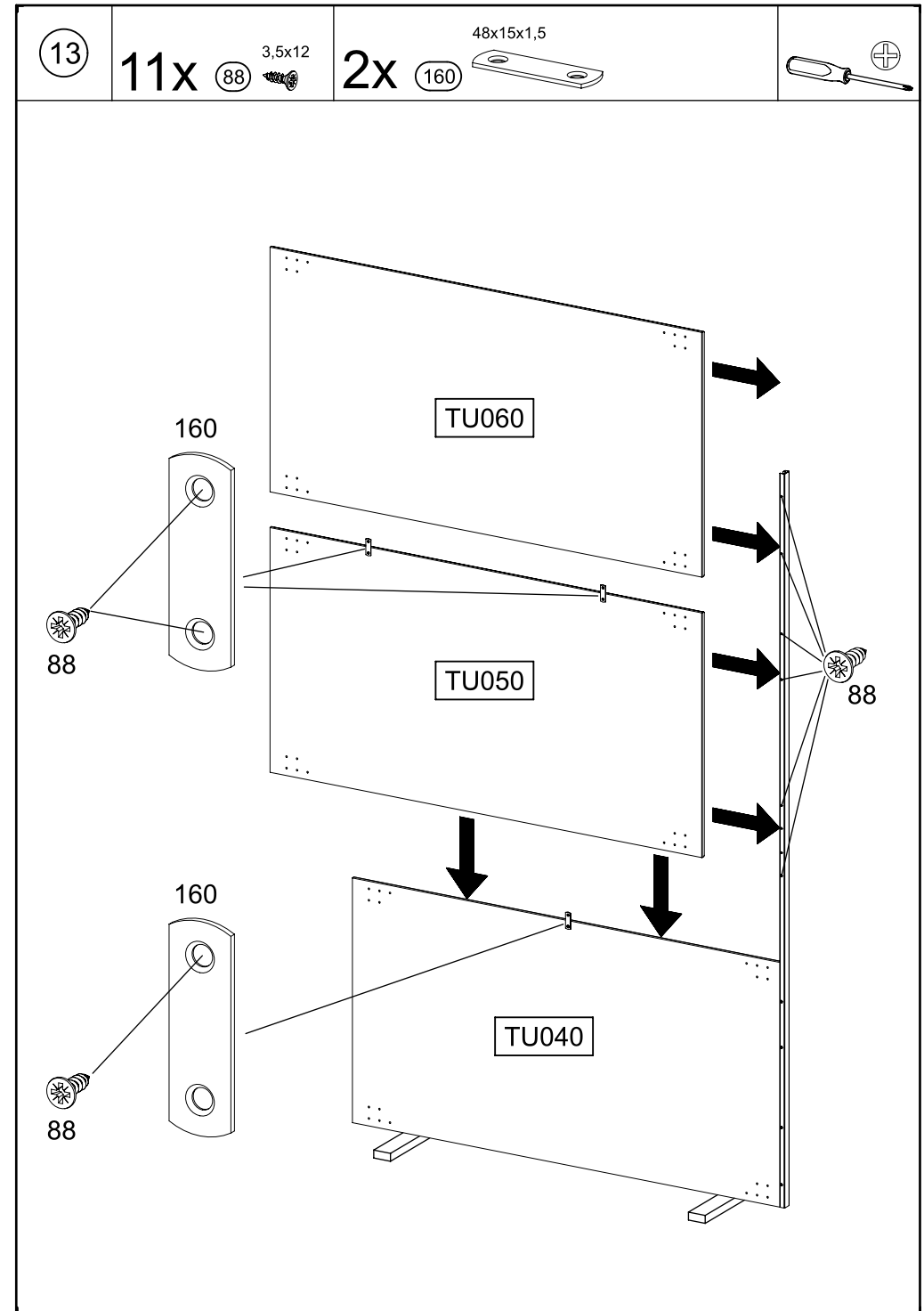
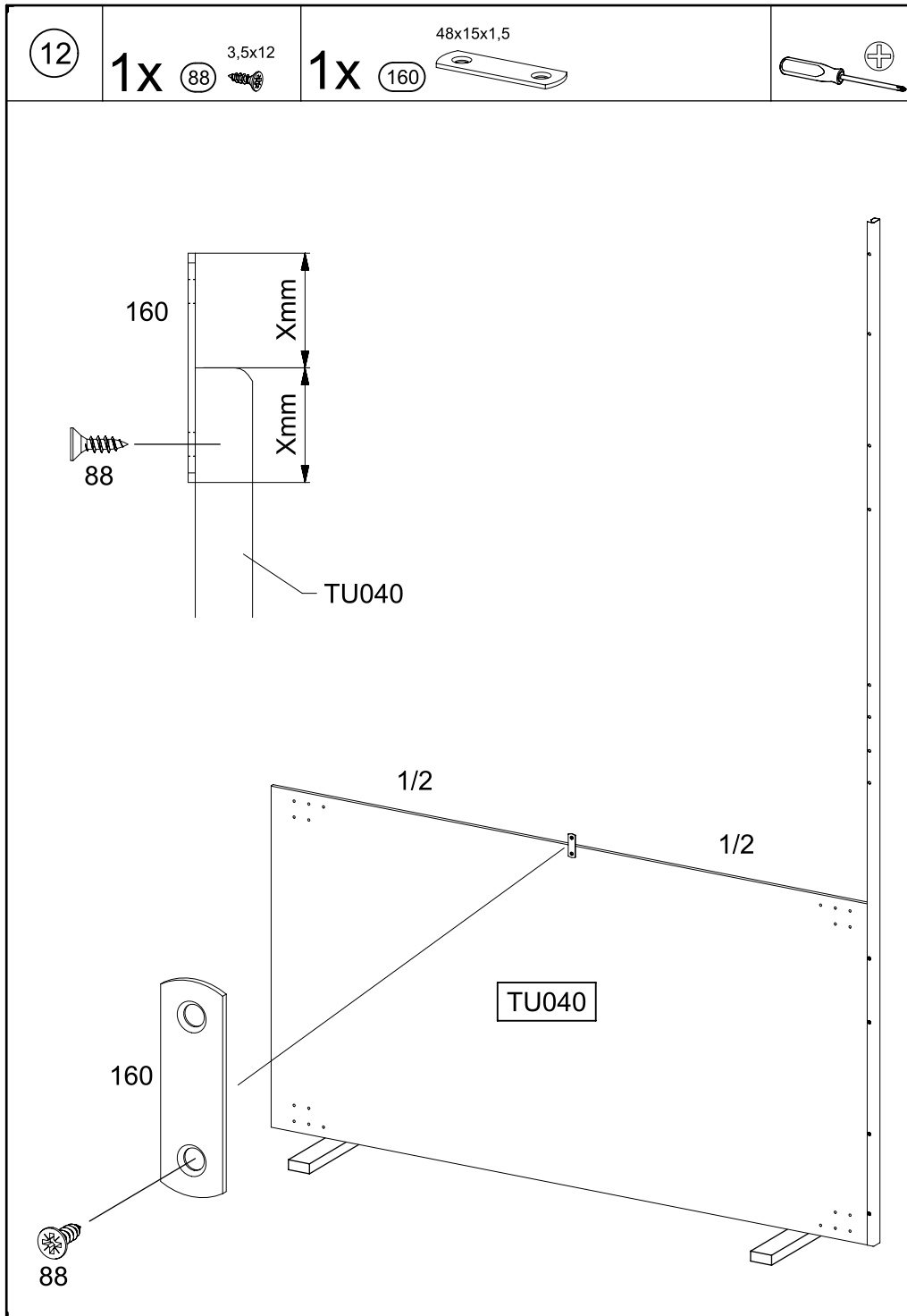
TU040

3.



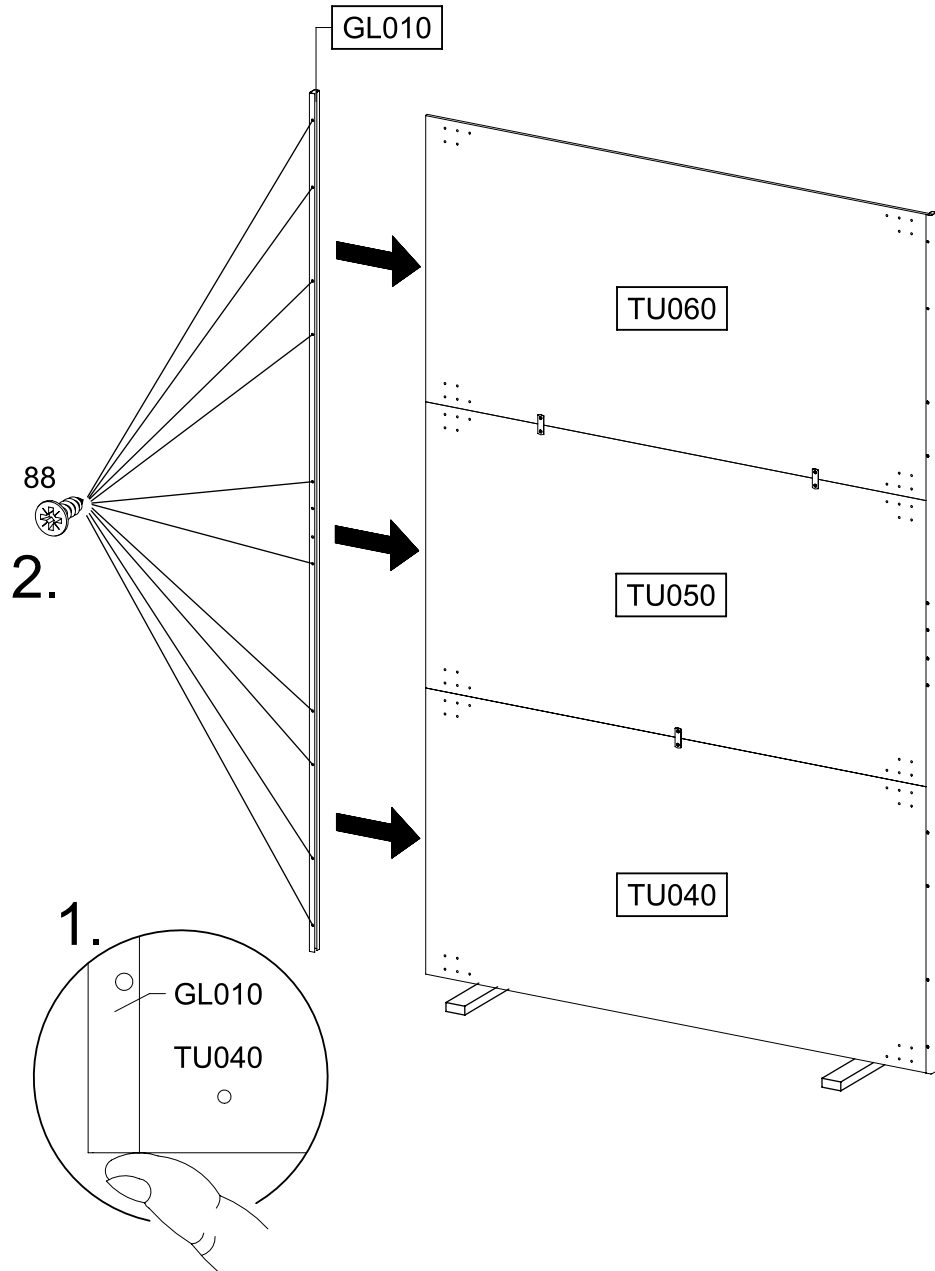
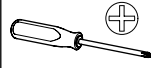
TU040

88



14

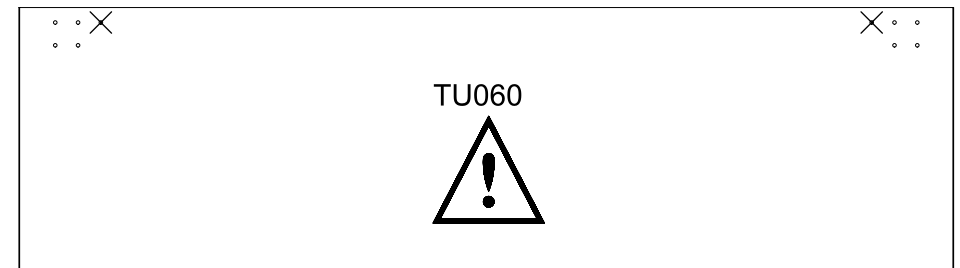
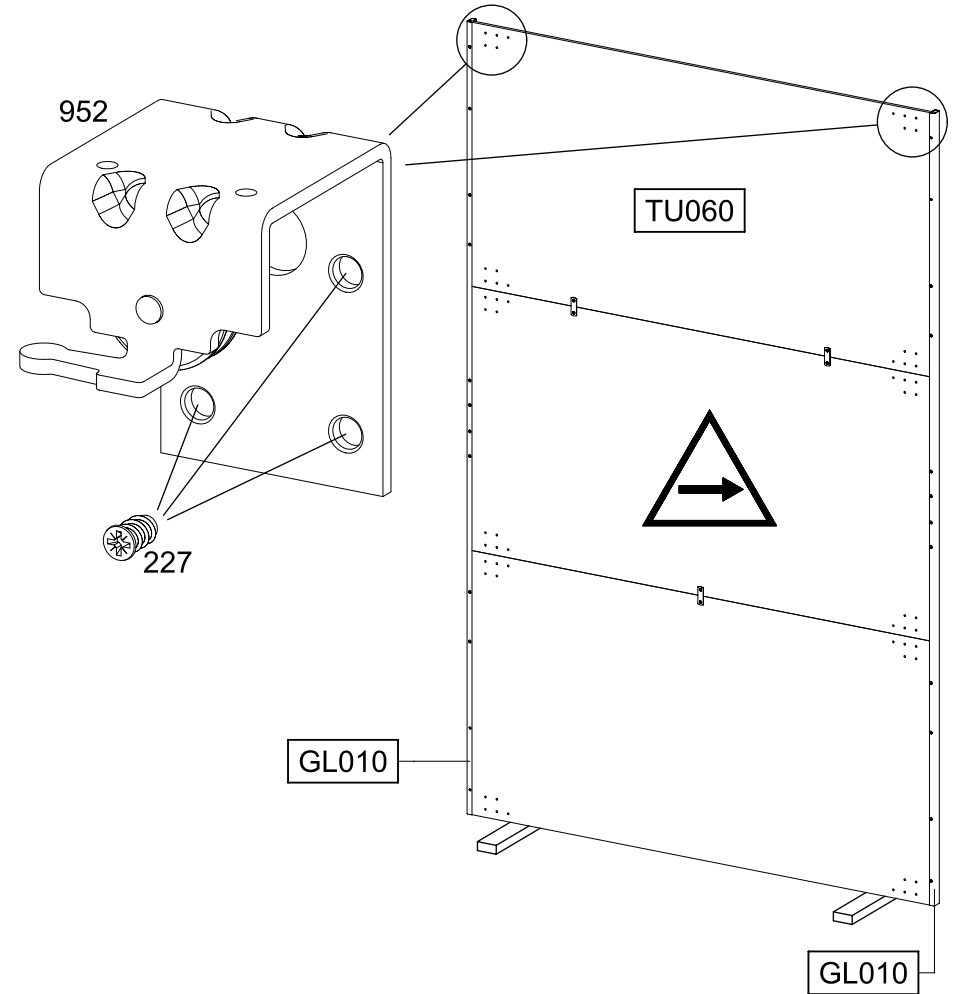
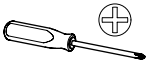
10x 88 3,5x12

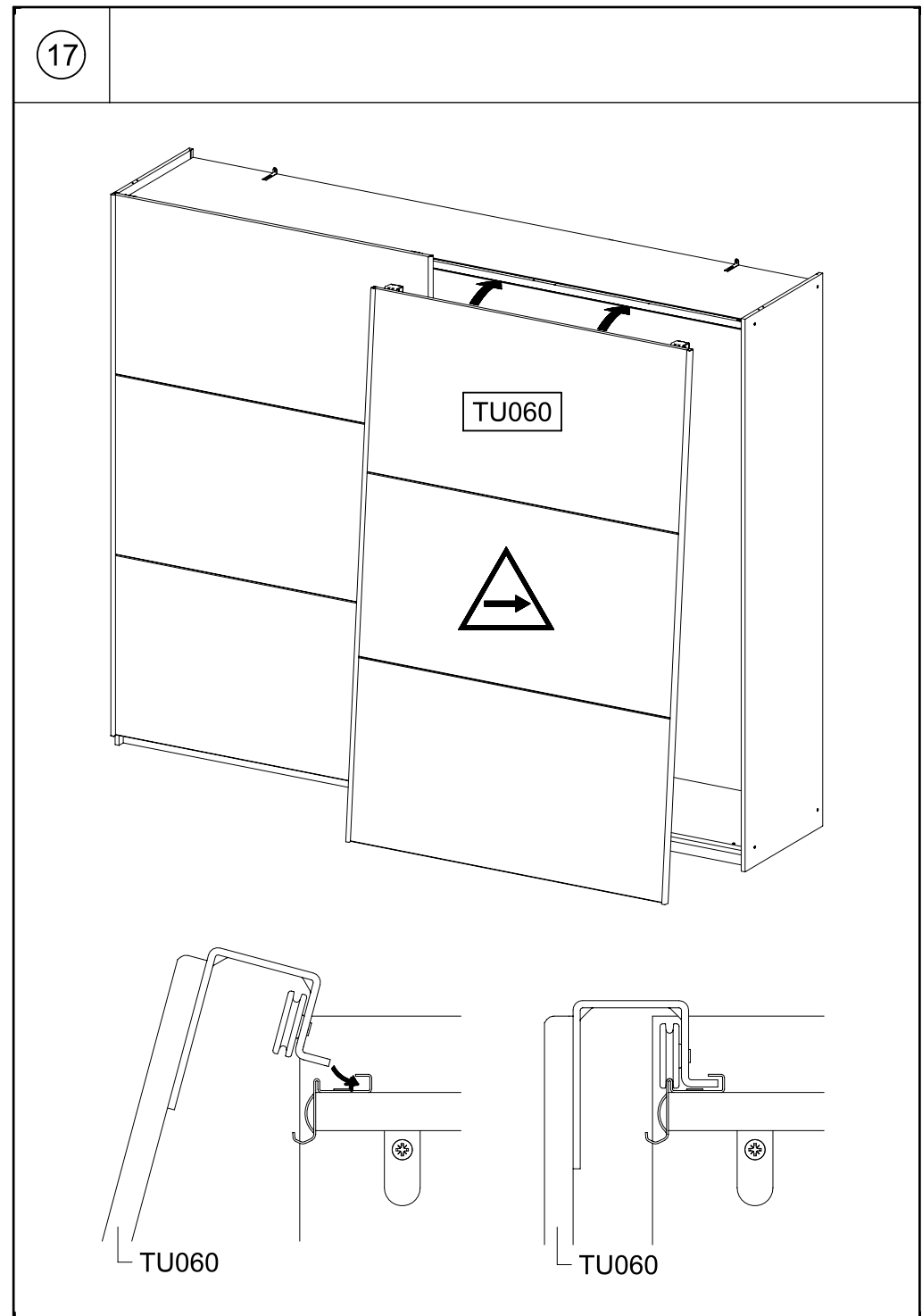
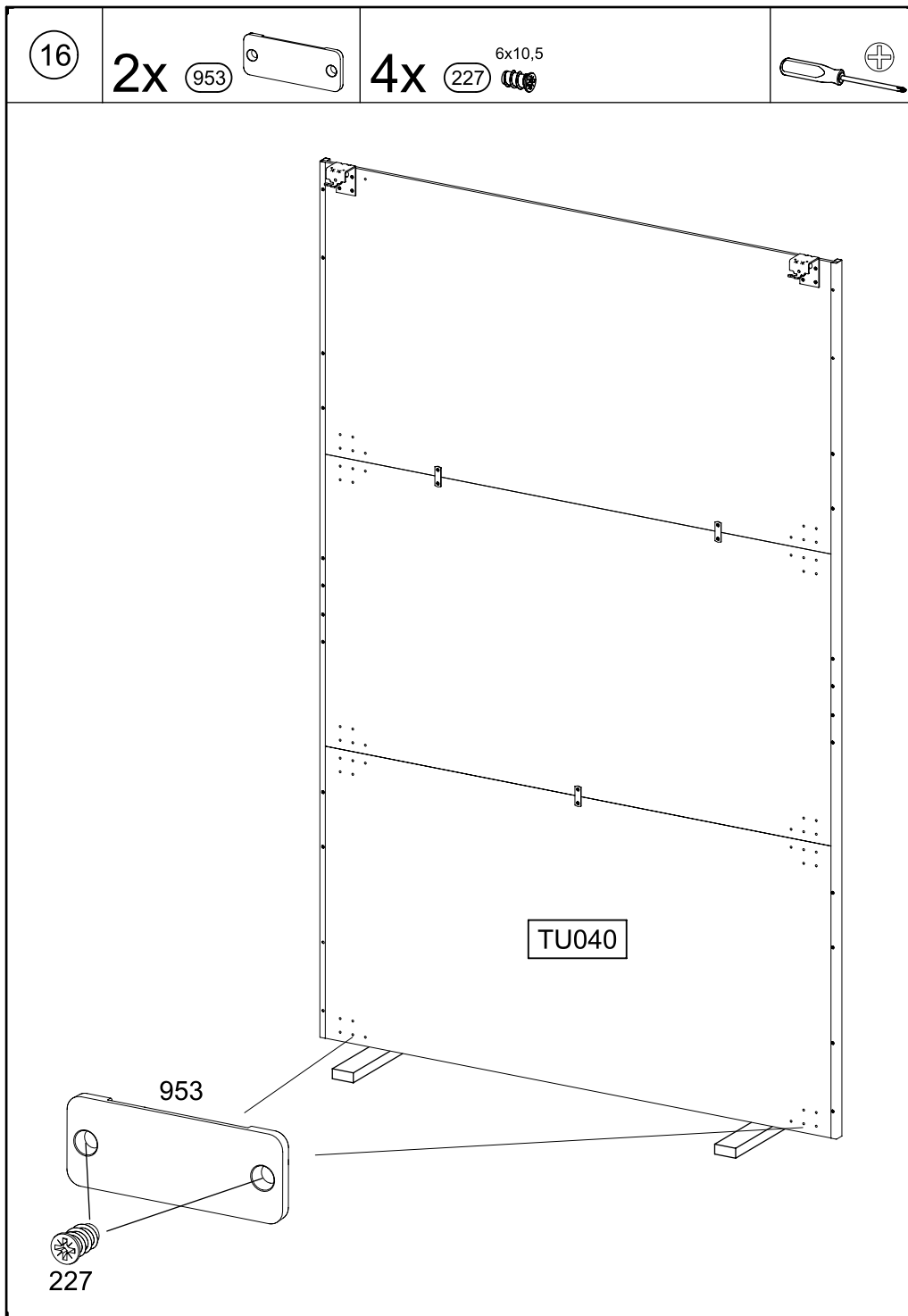


15

8x 227 6x10,5

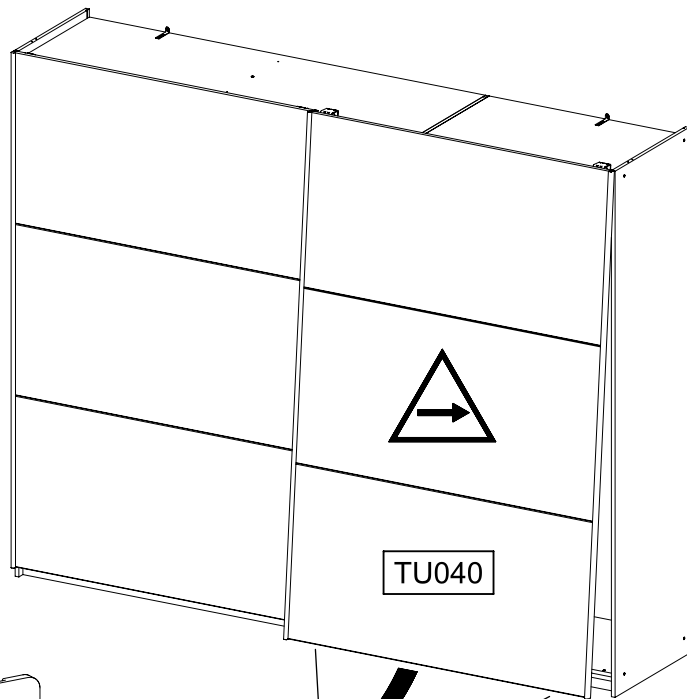
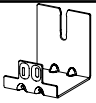
2x 952





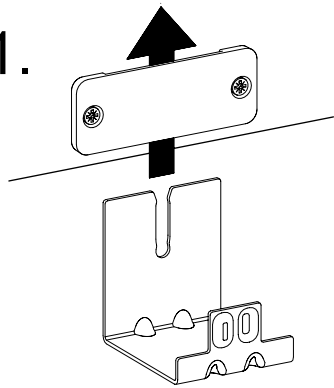
18

2x 955



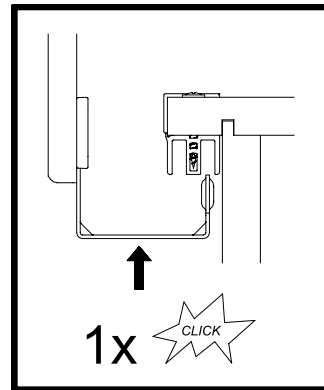
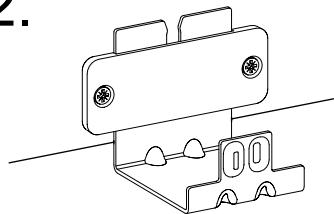
TU040

1.



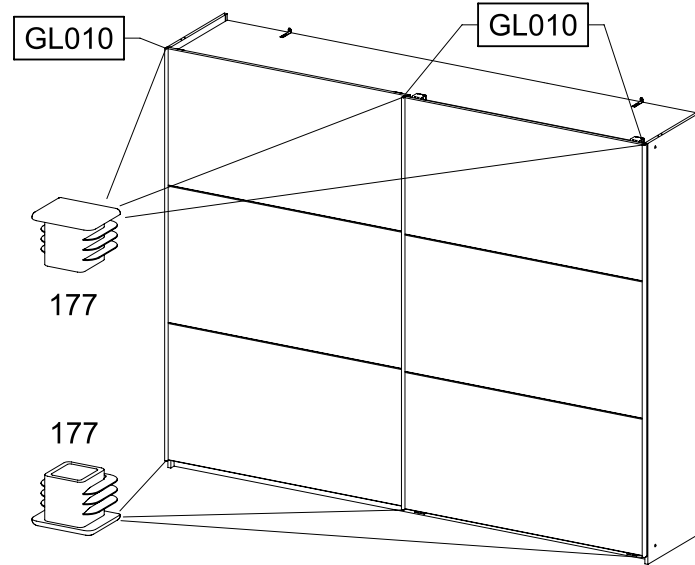
955

2.



19

6x 177



GL010

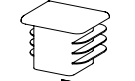
GL010



177

177

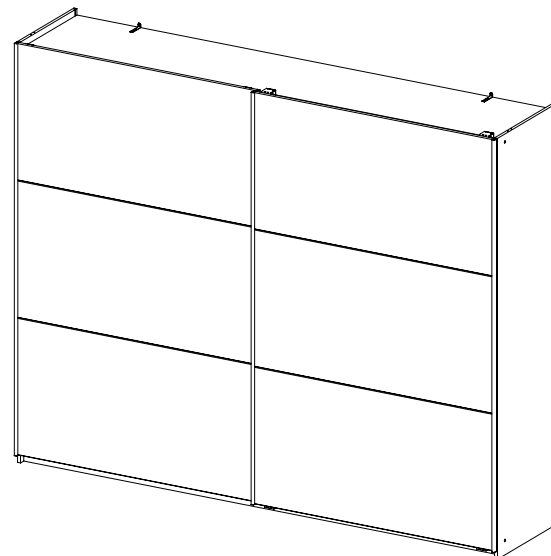
177



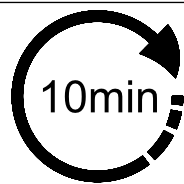
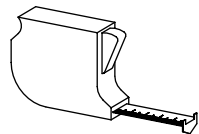
GL010


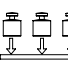


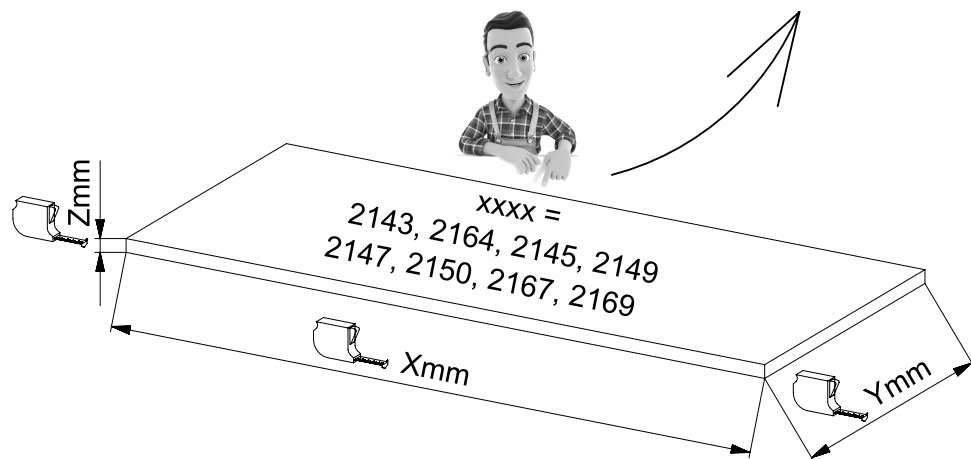
177




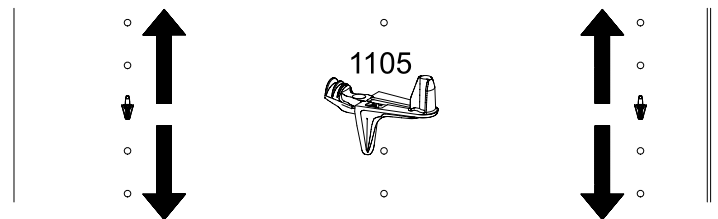
MZ112_05



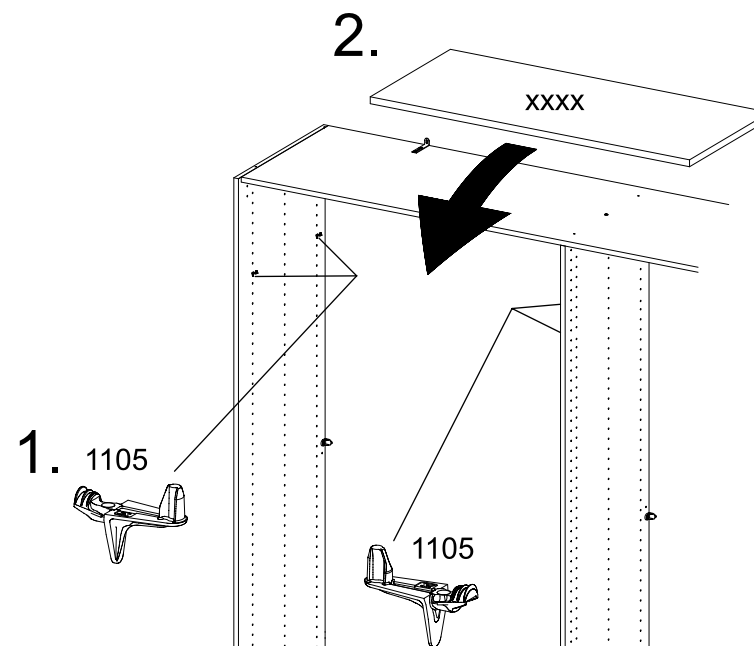
Xmm	Ymm	Zmm	 	XXXX
432mm	450mm	16mm	max. 10kg	2143
632mm	450mm	16mm	max. 10kg	2164
656mm	450mm	16mm	max. 10kg	2145
848mm	450mm	16mm	max. 10kg	2149
880mm	450mm	16mm	max. 10kg	2147
1064mm	450mm	22mm	max. 25kg	2150
848mm	395mm	16mm	max. 10kg	2167
632mm	395mm	16mm	max. 10kg	2169



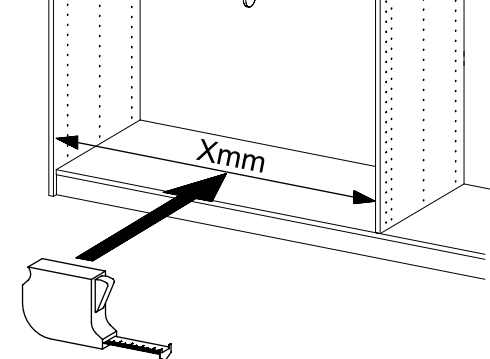
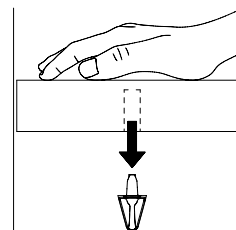
1

4x  1105

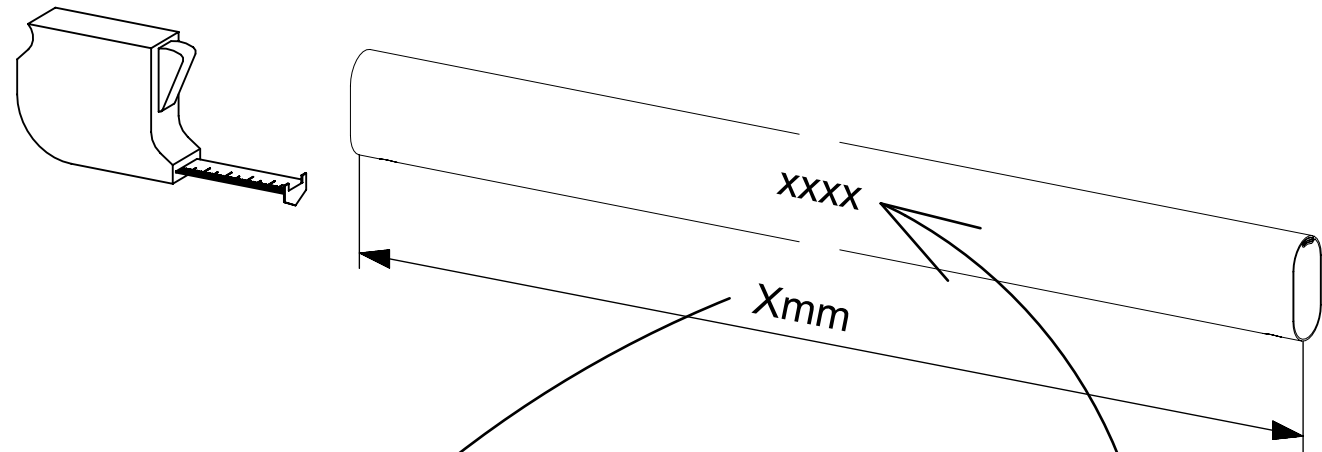
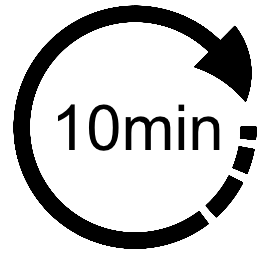
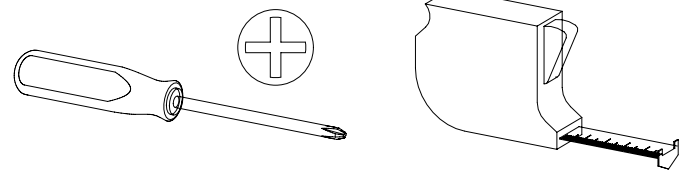
2.



3.



MZ127_02



Xmm			xxxx
625mm	max. 40kg		2009
841mm	max. 40kg		2005
1057mm	max. 40kg		2007



xxxx = 2009, 2005
2007

1

2x 3,5x12

2x 279

